

[54] **FRACTIONAL BLOCK SET**  
[75] **Inventor: Charles A Russell, Oklahoma City, Okla.**  
[73] **Assignee: Tangible Concepts, Inc., Oklahoma City, Okla.**  
[\*\*] **Term: 14 Years**  
[21] **Appl. No.: 877,978**  
[22] **Filed: Jun. 24, 1986**  
[52] **U.S. Cl. .... D21/108**  
[58] **Field of Search ..... D19/59, 62; D21/108; 434/258, 259, 391, 403; 446/85, 92, 102, 105, 106, 111, 116, 117, 118, 120, 124**  
[56] **References Cited**  
**U.S. PATENT DOCUMENTS**  
2,482,402 9/1949 Corcodilos ..... 446/117

2,876,560 3/1959 Henley ..... 446/118  
3,094,792 6/1963 Morgan et al. .... D21/108

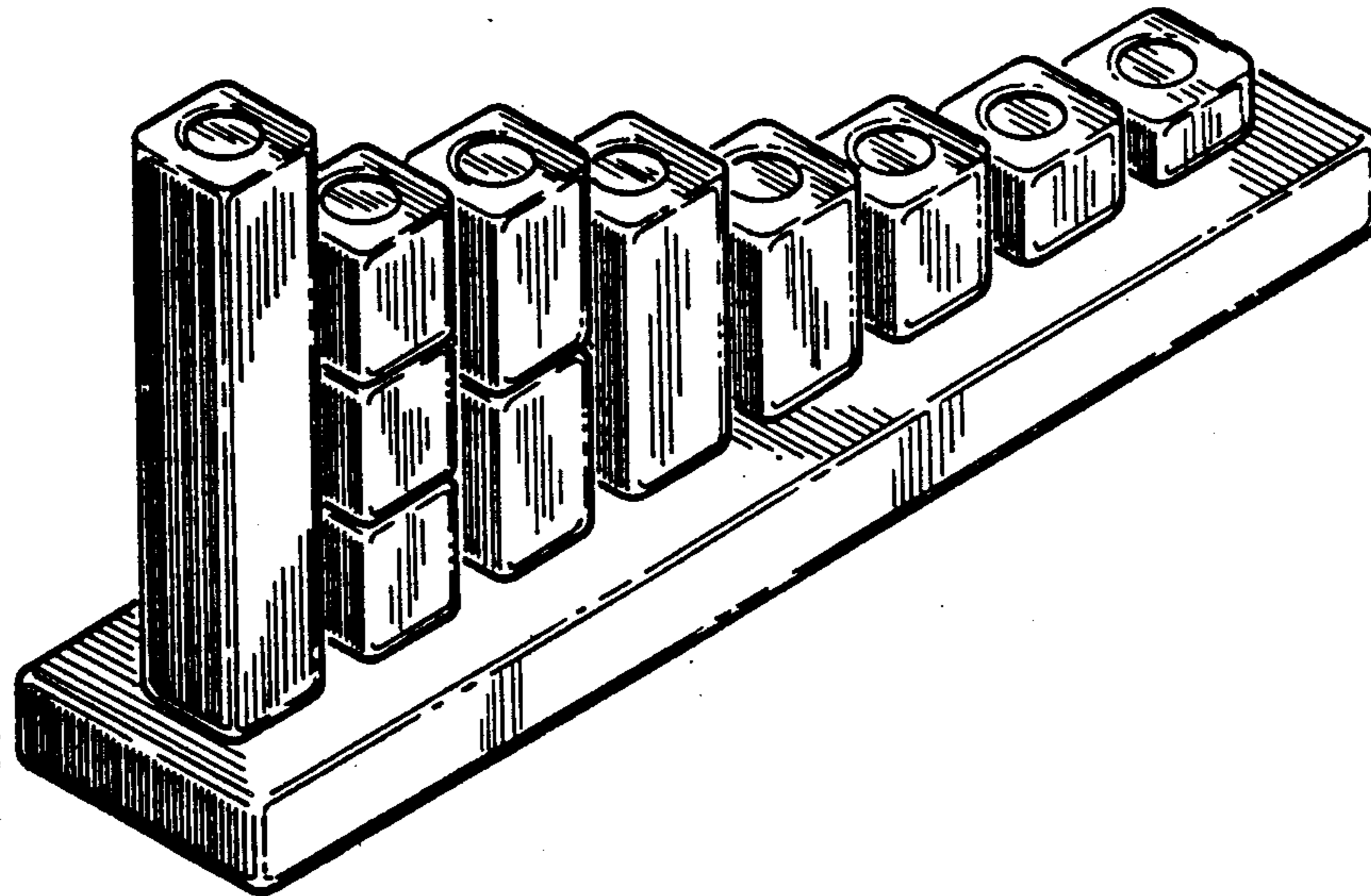
*Primary Examiner*—Charles A. Rademaker  
*Assistant Examiner*—Alicia A. Farrell  
*Attorney, Agent, or Firm*—Bill D. McCarthy

[57] **CLAIM**

The ornamental design for a fractional block set, as shown and described.

**DESCRIPTION**

FIG. 1 is a front perspective view of a fractional block set showing my new design;  
FIG. 2 is a rear perspective view thereof;  
FIG. 3 is a side elevational view thereof, the other side being a mirror image thereof;  
FIG. 4 is an elevational view of one end thereof;  
FIG. 5 is an elevational view of the other end thereof;  
and,  
FIG. 6 is a bottom plan view thereof.



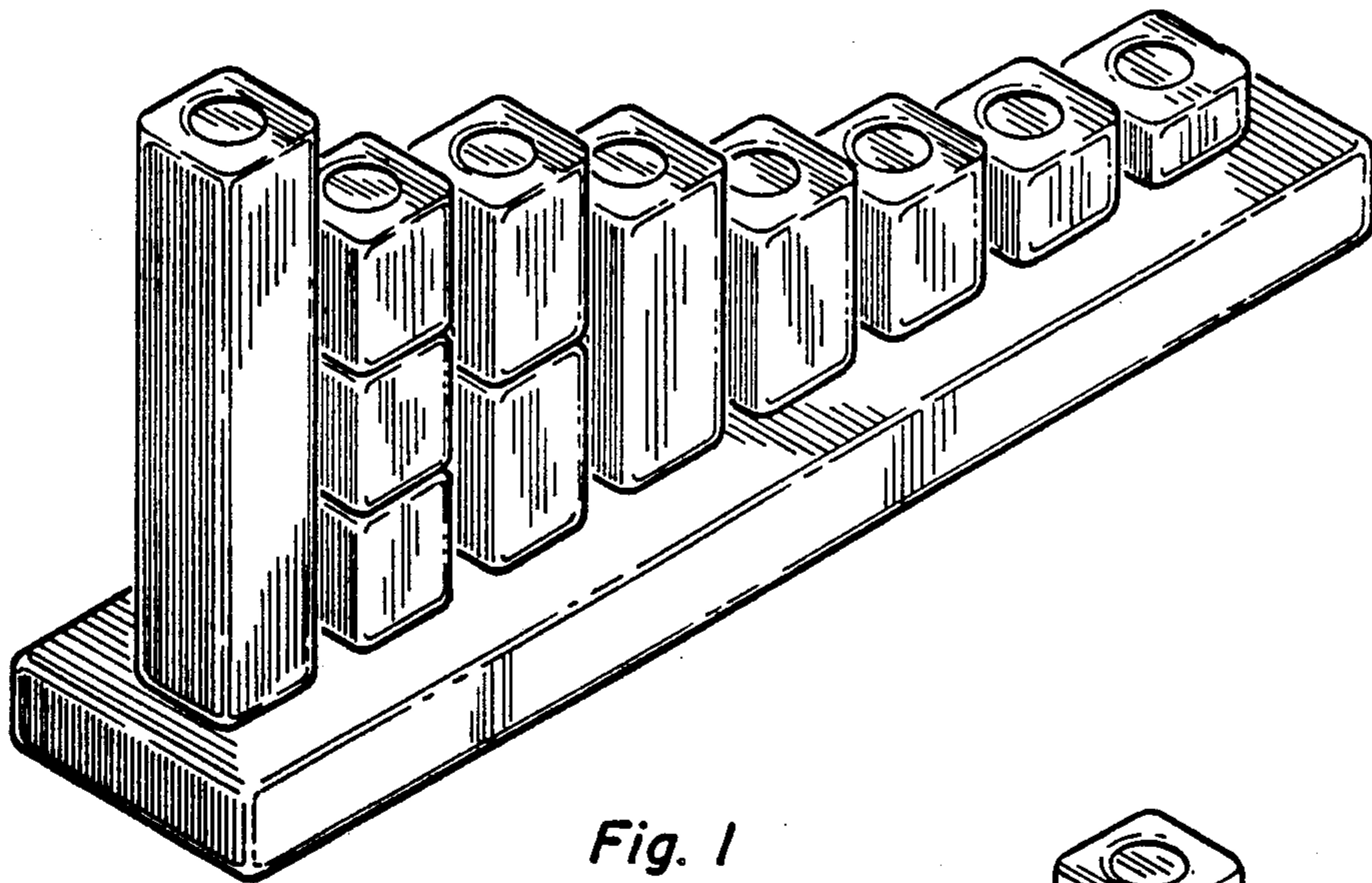


Fig. 1

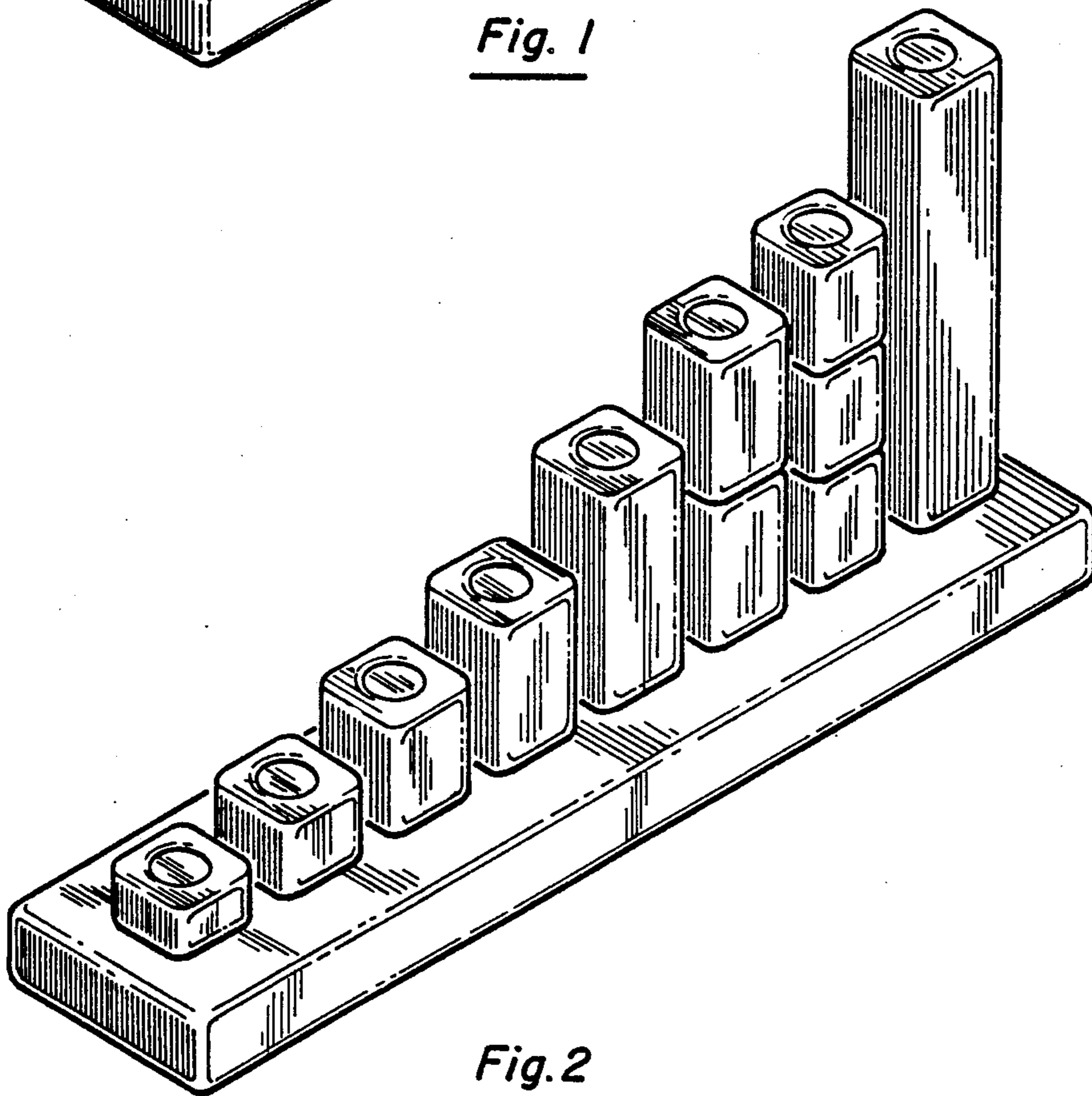


Fig. 2

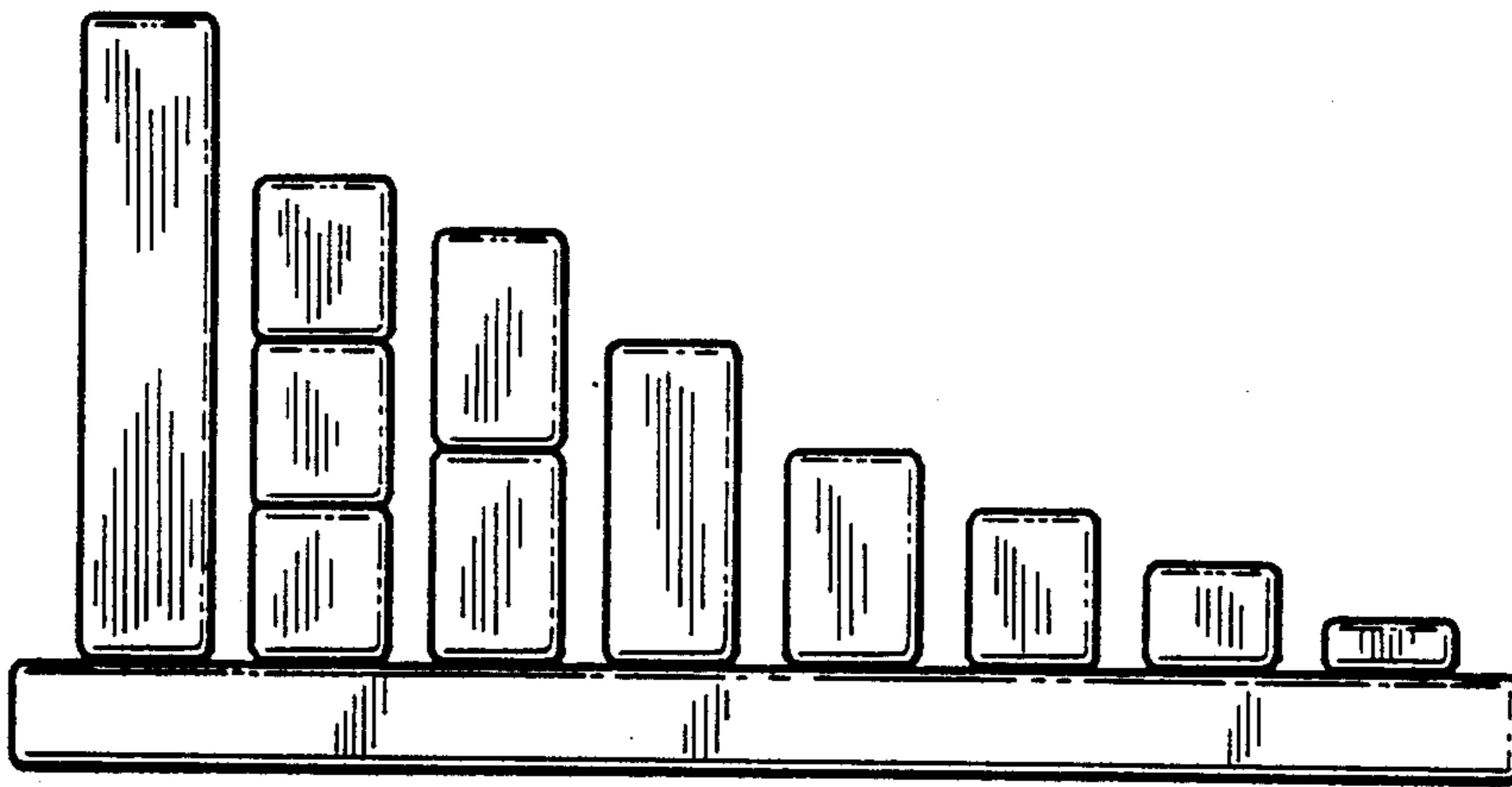


Fig. 3

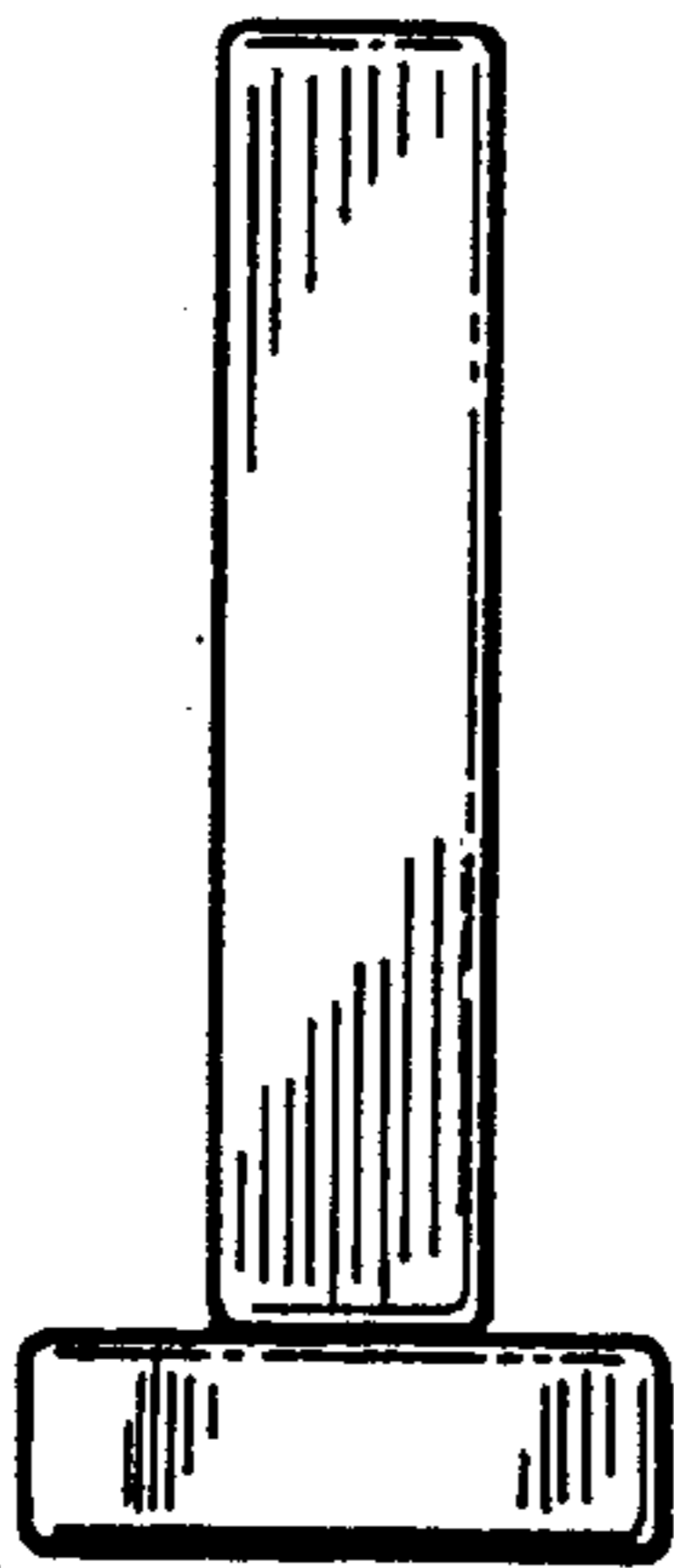


Fig. 4

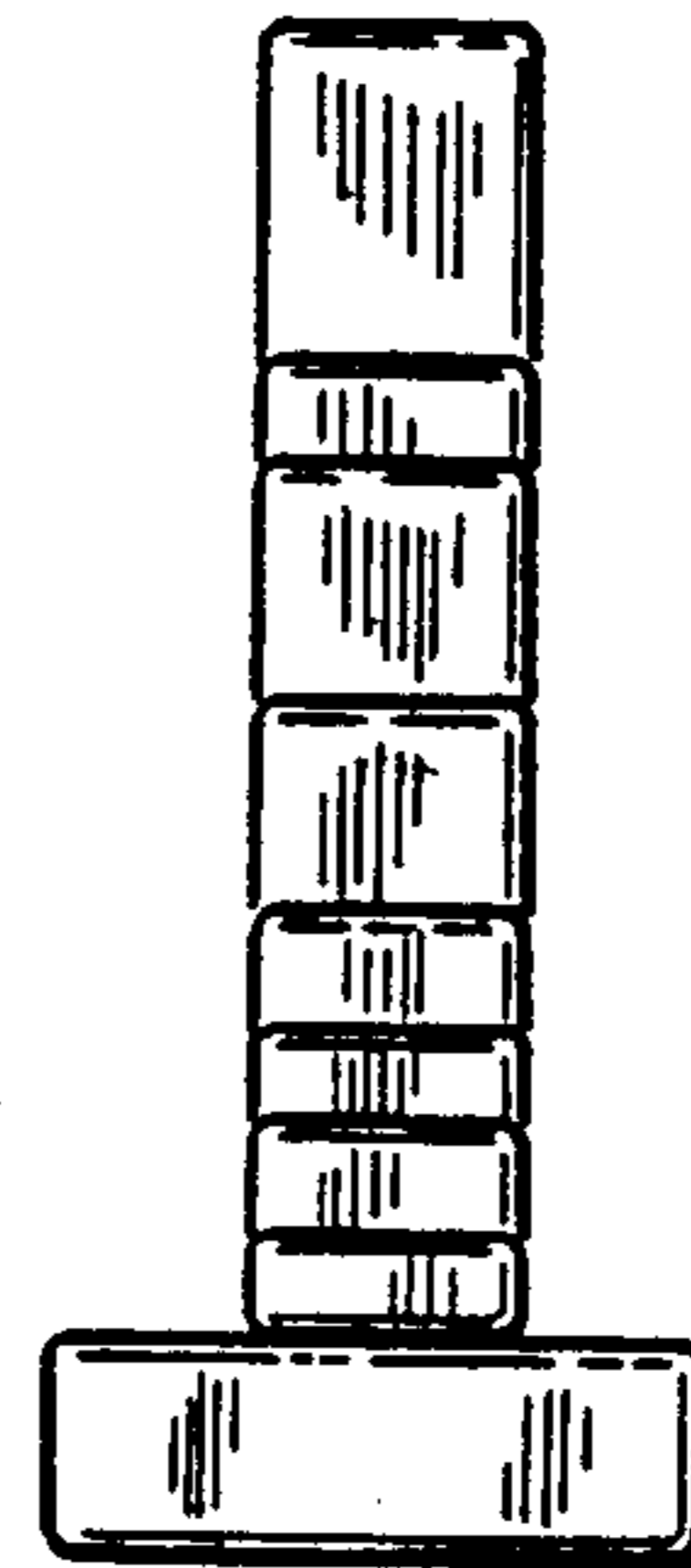


Fig. 5

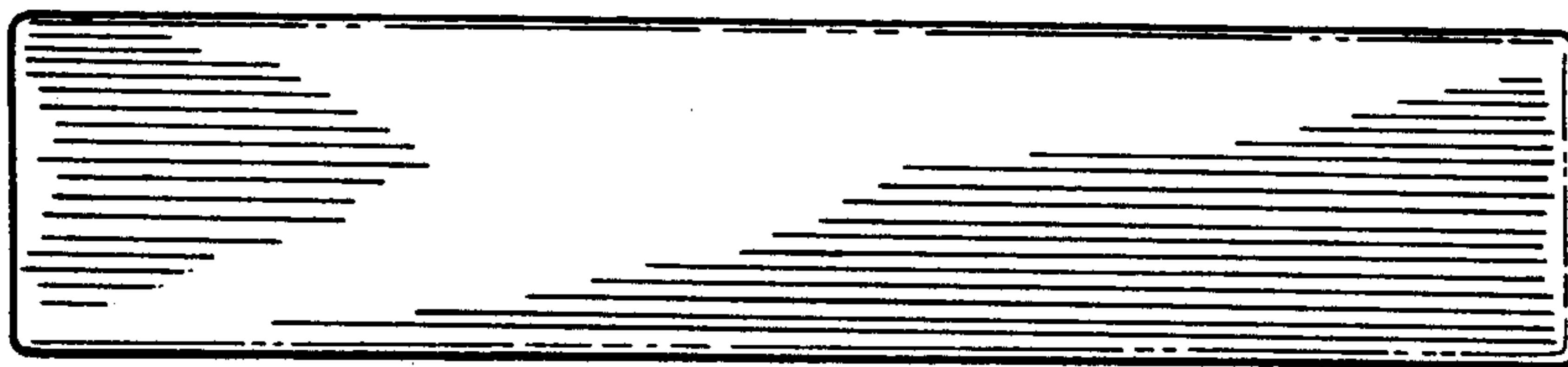


Fig. 6