

[54] COMBINED WRITING PAD AND PENCIL HOLDER

D. 297,849 9/1988 Johnson D19/90
1,739,801 12/1929 Pitts 220/18

[76] Inventors: Steven E. Greenhut, 2781 Belgrave Rd., Pepper Pike, Ohio 44124; Sheldon Goodman, 4079 Princeton Blvd., South Euclid, Ohio 44121

Primary Examiner—Bruce W. Dunkins
Assistant Examiner—Martha Thompson
Attorney, Agent, or Firm—Pearne, Gordon, McCoy & Granger

[**] Term: 14 Years

[57] CLAIM

[21] Appl. No.: 933,695

The ornamental design for a combined writing pad and pencil holder, as shown and described.

[22] Filed: Nov. 21, 1986

DESCRIPTION

[52] U.S. Cl. D19/78; D6/466; D6/573; D19/86; D19/90; D19/91

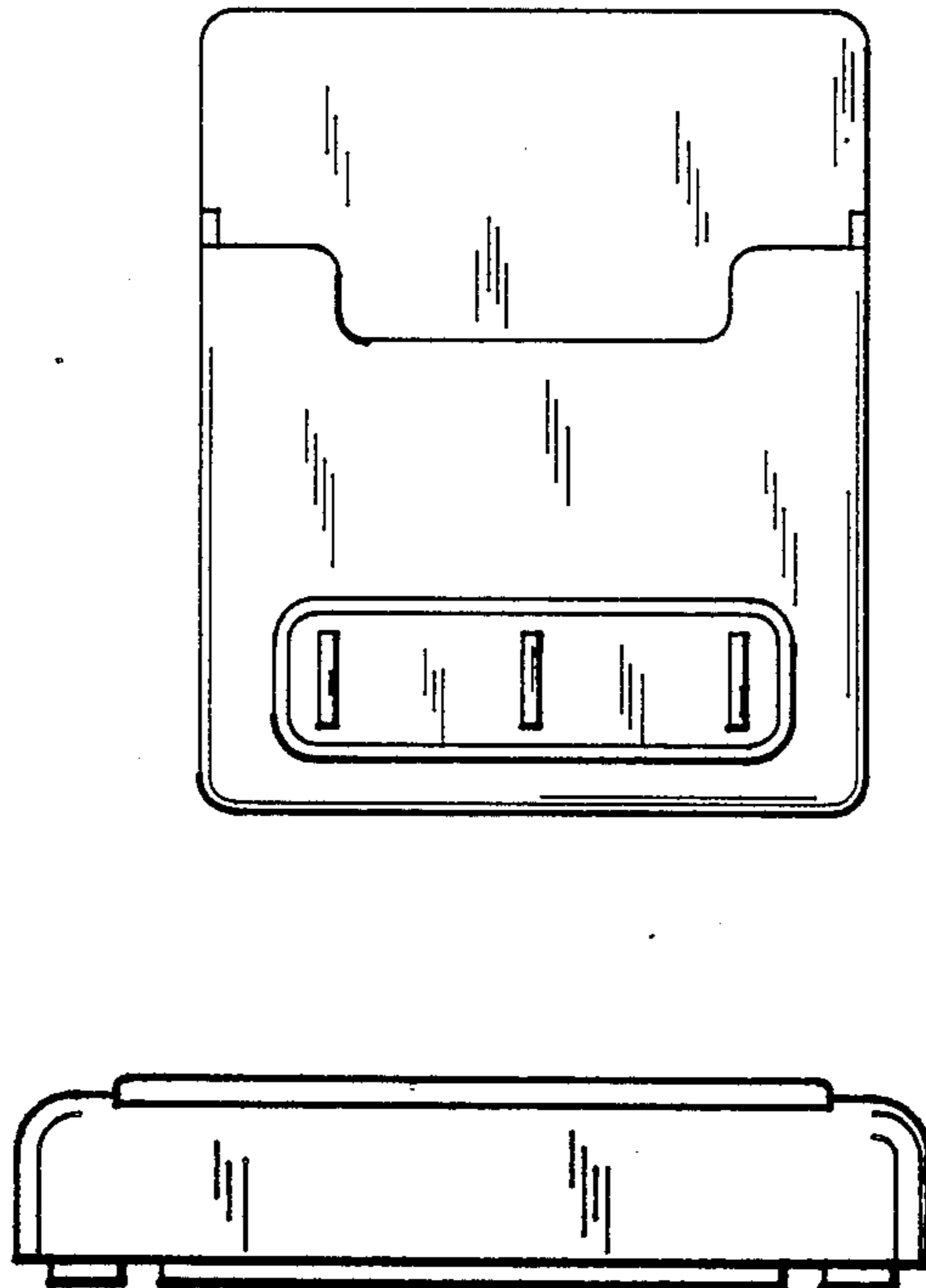
[58] Field of Search D19/65, 75, 77, 78, D19/81, 84, 85, 86, 99, 90, 91, 100; D6/466, 573; 40/905; 220/18; 206/214; 211/69.1

FIG. 1 is a top plan view of a combined writing pad and pencil holder showing our new design;
FIG. 2 is a front elevational view;
FIG. 3 is a bottom plan view;
FIG. 4 is a rear elevational view;
FIG. 5 is a side elevational view, the opposite side being a mirror image thereof; and
FIG. 6 is a front perspective view thereof;
FIG. 7 is a front perspective view of a second embodiment of our new design;
FIG. 8 is a top plan view;
FIG. 9 is a front elevational view;
FIG. 10 is a bottom plan view;
FIG. 11 is a rear elevational view; and
FIG. 12 is a side elevational view, the opposite side being a mirror image thereof.

[56] References Cited

U.S. PATENT DOCUMENTS

- D. 162,153 2/1951 Gilfert D19/78
- D. 227,510 6/1973 Pisciotto D19/84 X
- D. 246,748 12/1977 Tricari D6/573
- D. 264,481 5/1982 Russo D19/75
- D. 267,808 2/1983 Russo D19/78
- D. 268,118 3/1983 Herr et al. D19/78 X
- D. 280,466 9/1985 Seltzer et al. D19/90 X
- D. 286,485 11/1986 Frizzel D6/573



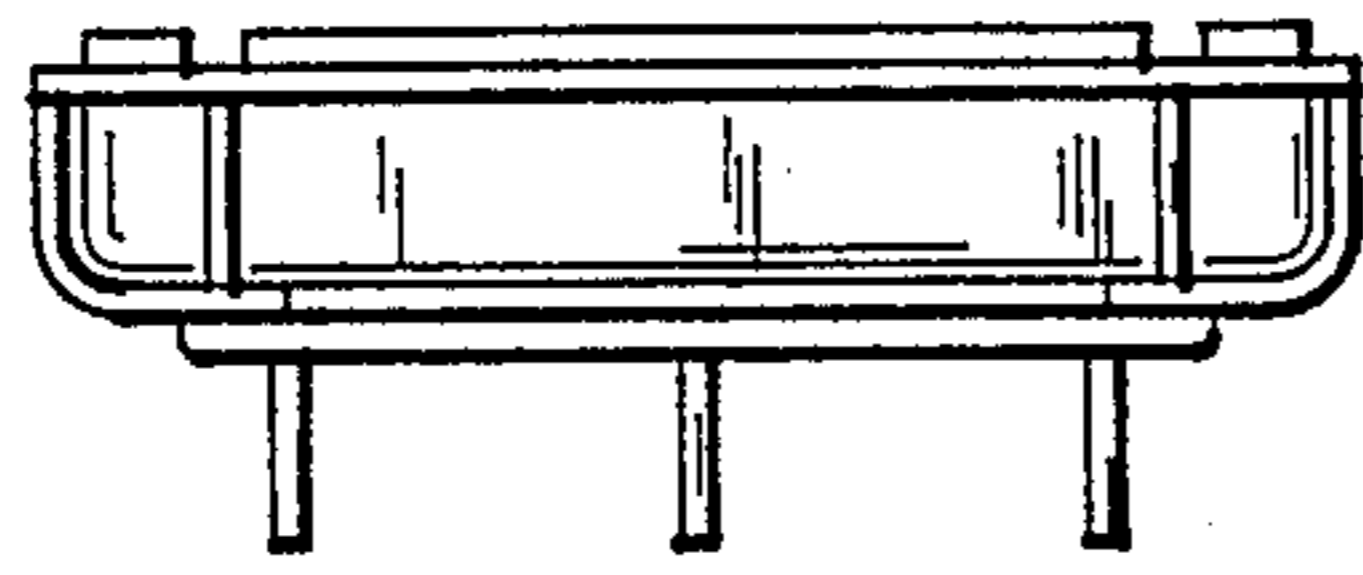


Fig. 1

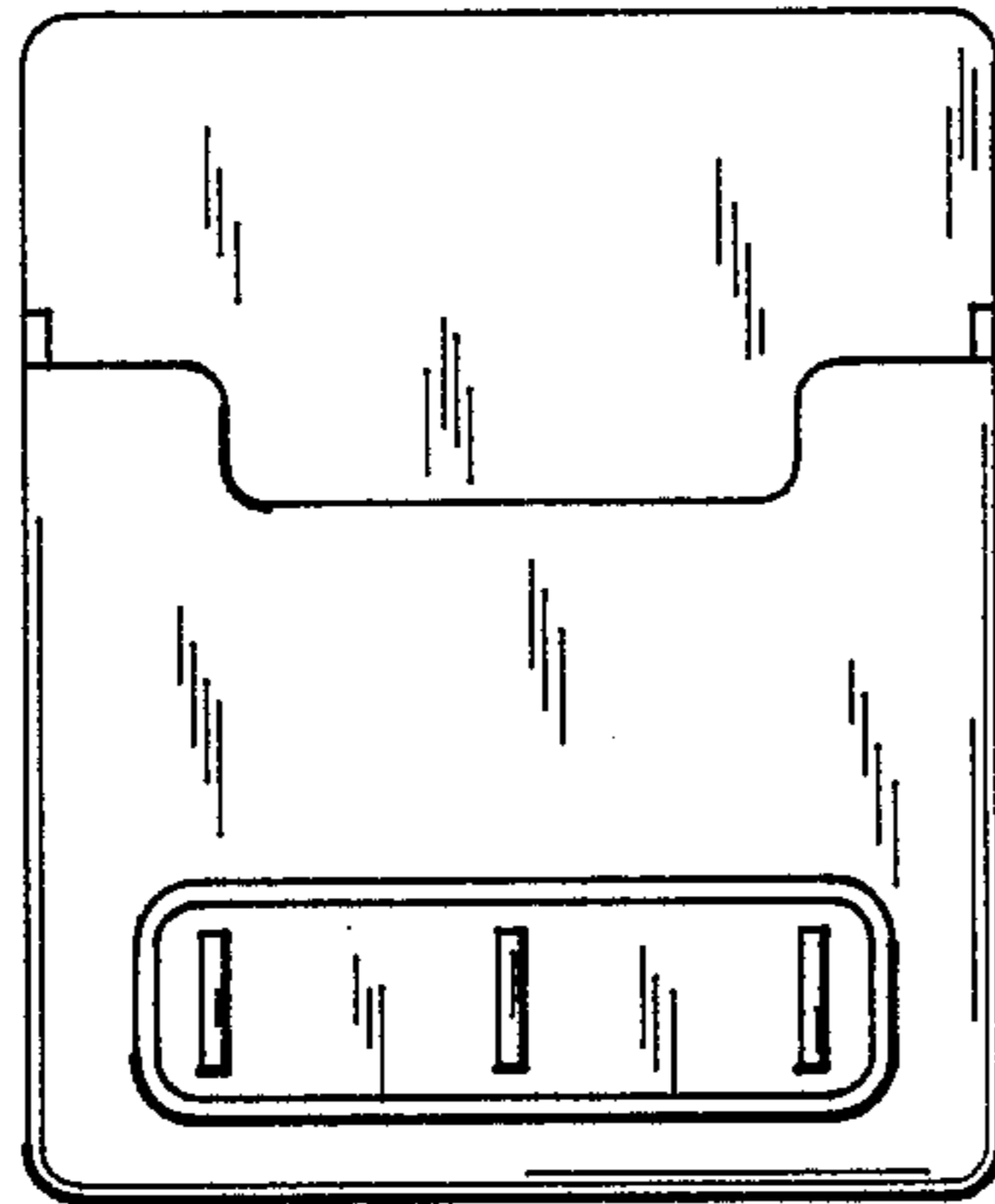


Fig. 2

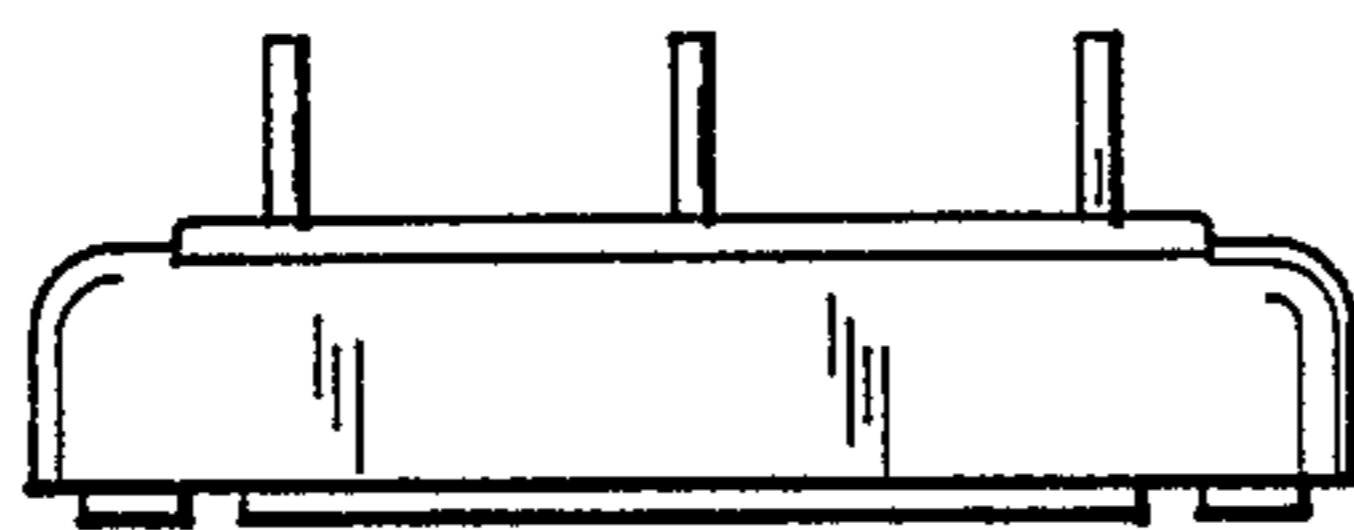


Fig. 3

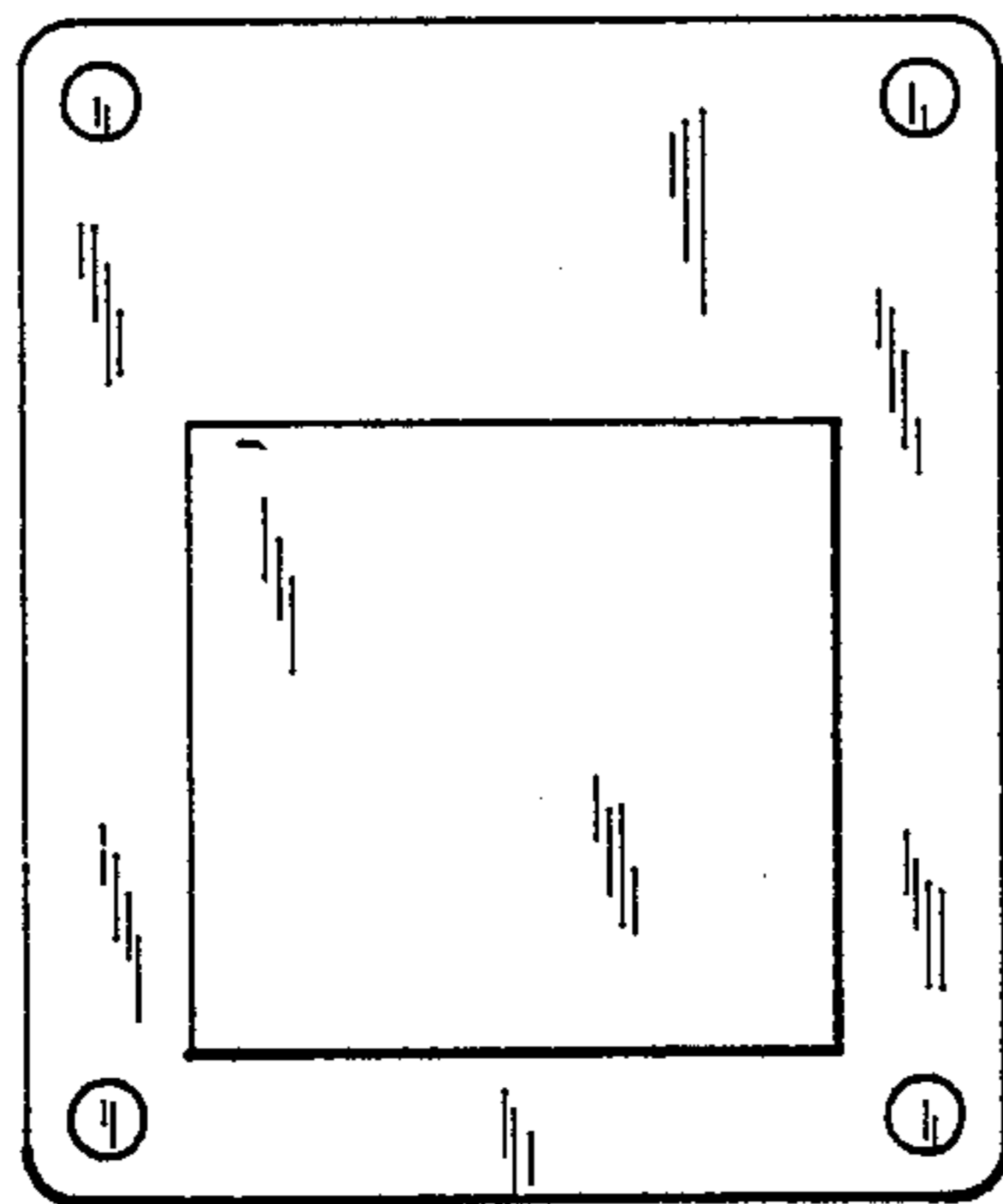


Fig. 4

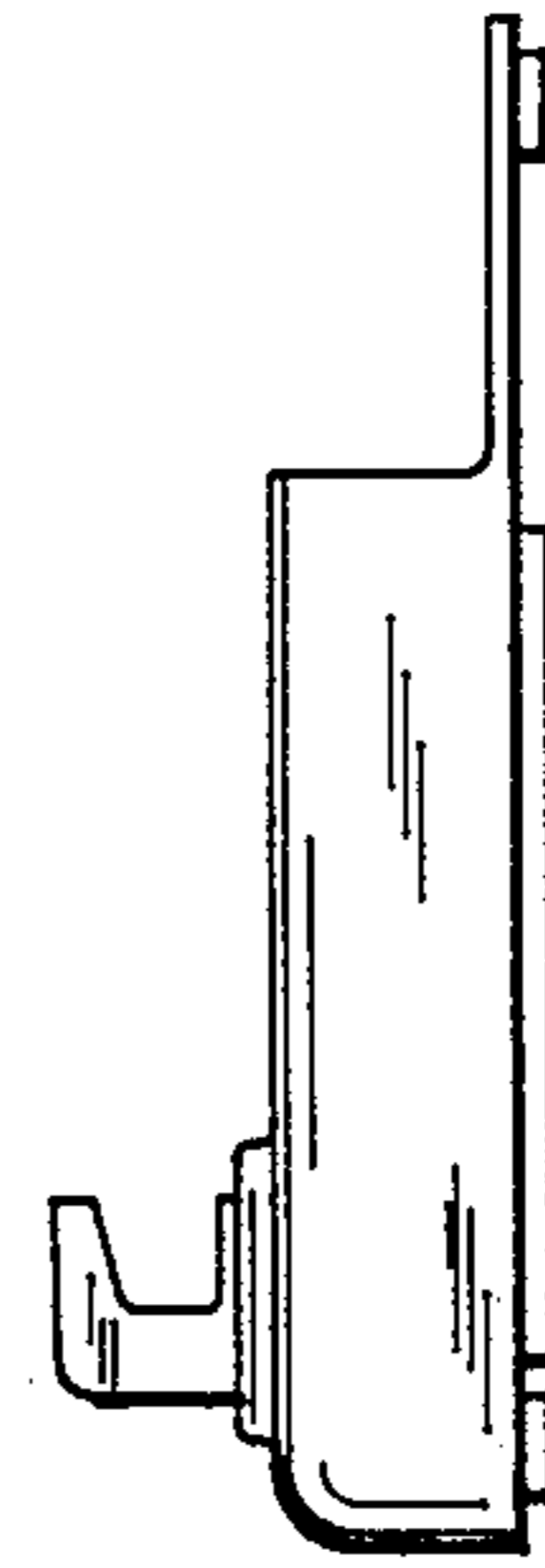


Fig. 5

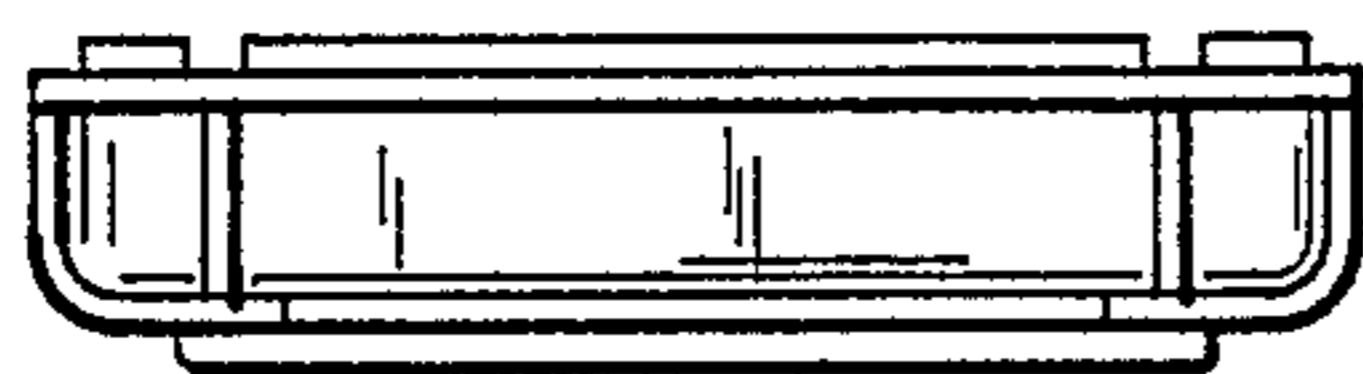


Fig. 8

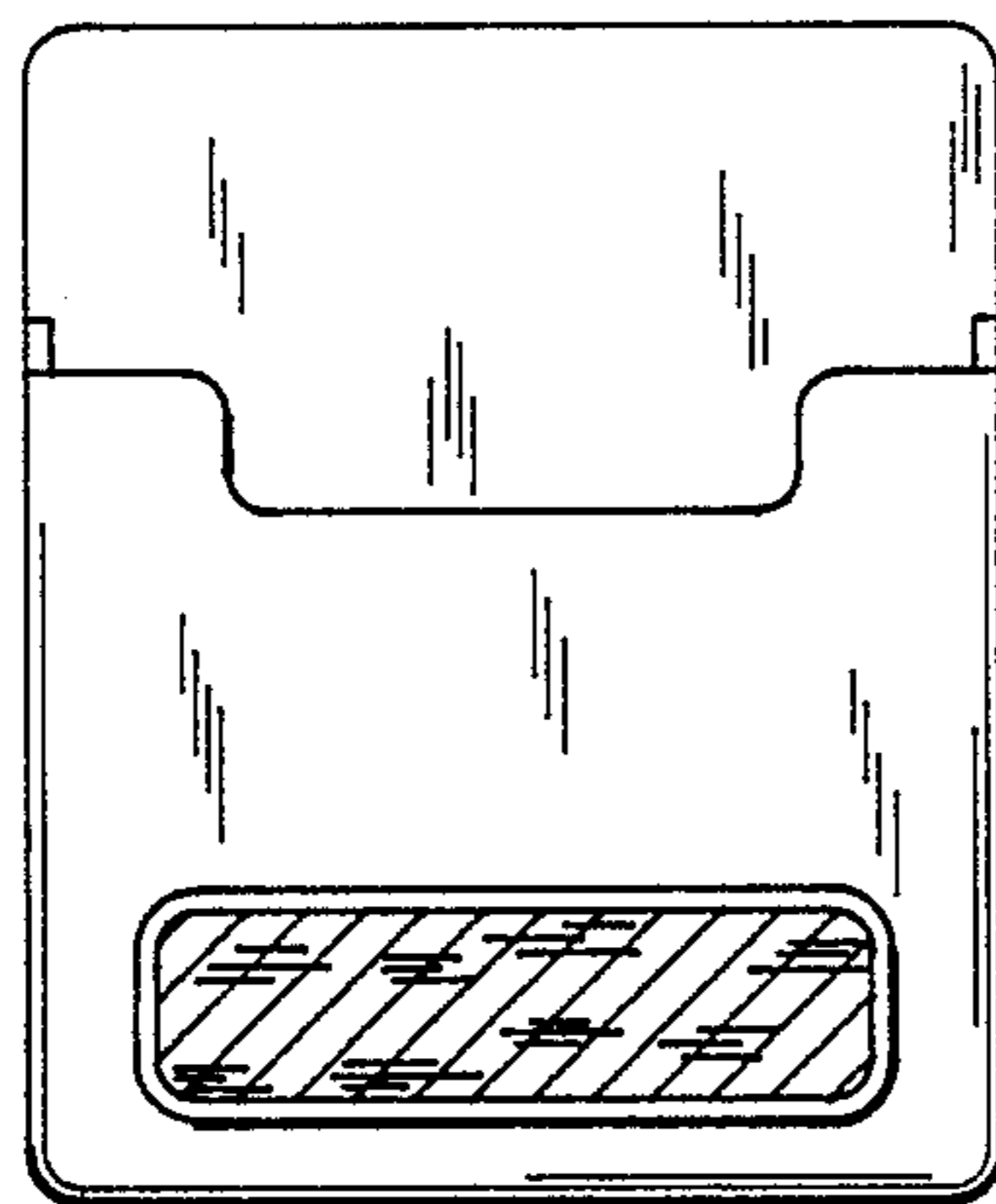


Fig. 9

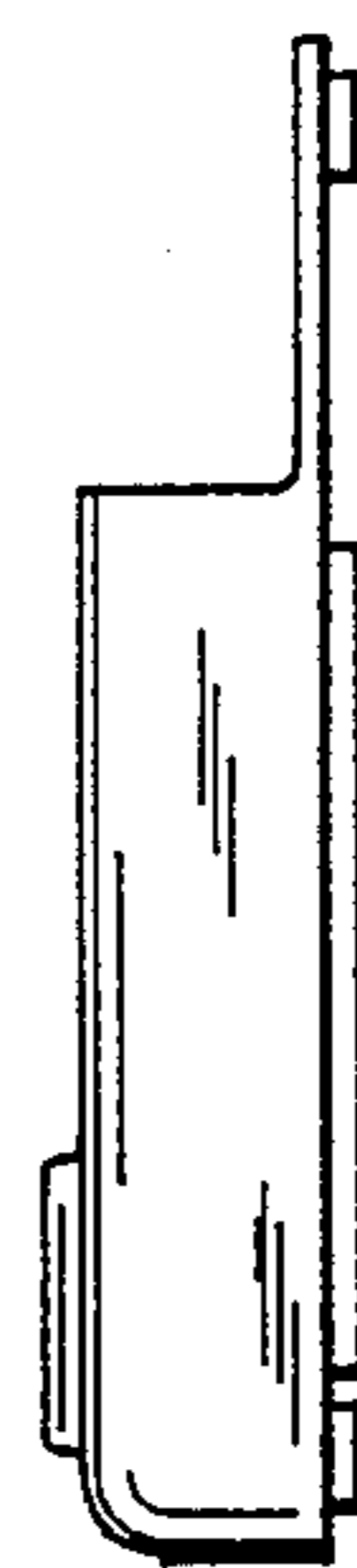


Fig. 12

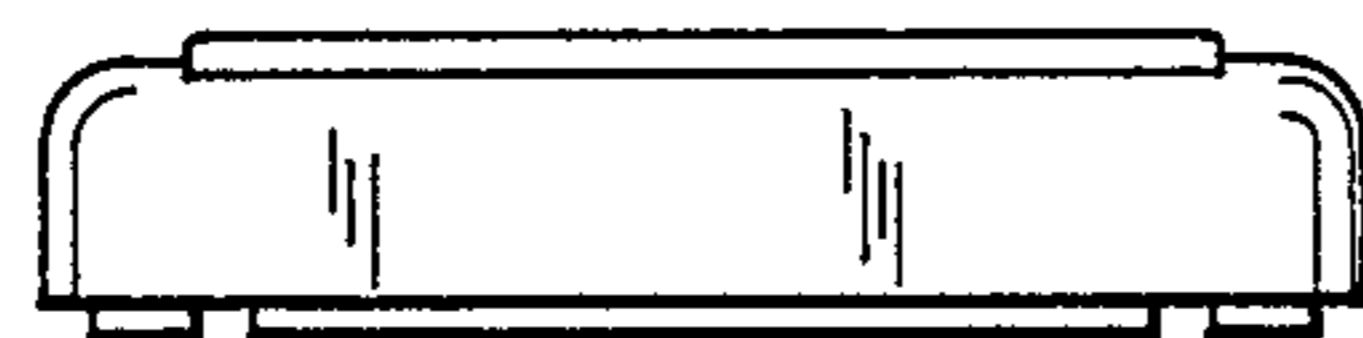


Fig. 10

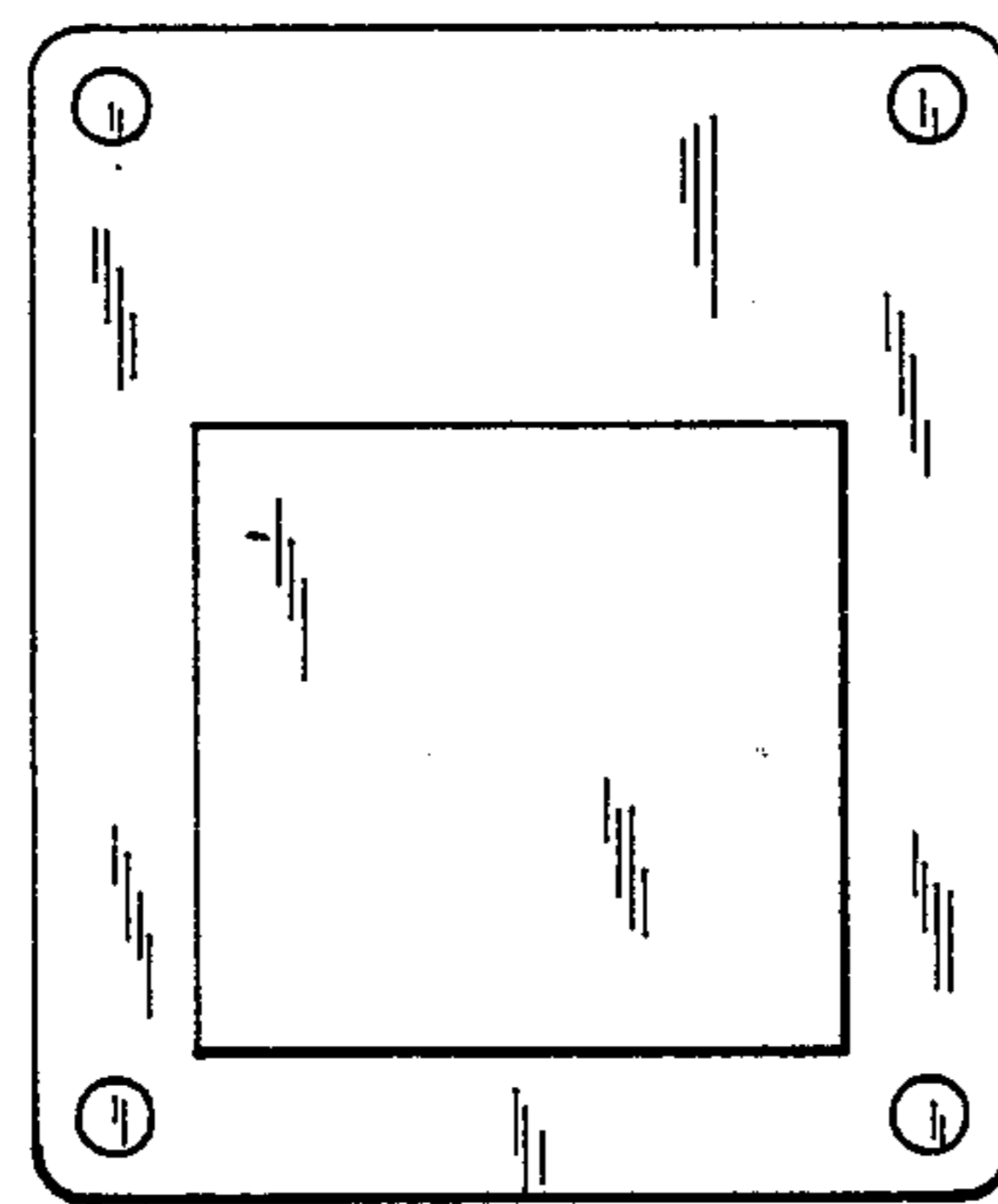


Fig. 11

UNITED STATES PATENT AND TRADEMARK OFFICE
CERTIFICATE OF CORRECTION

PATENT NO. Des.307,445 ✓

Page 1 of 2

DATED : April 24, 1990

INVENTOR(S) : Steven E. Greenhut and Sheldon Goodman

It is certified that error appears in the above-identified patent and that said Letters Patent is hereby corrected as shown below:

The sheet of Drawing consisting of Figs. 6 and 7 should be added as per attached sheet.

**Signed and Sealed this
Second Day of July, 1991**

Attest:

HARRY F. MANBECK, JR.

Attesting Officer

Commissioner of Patents and Trademarks

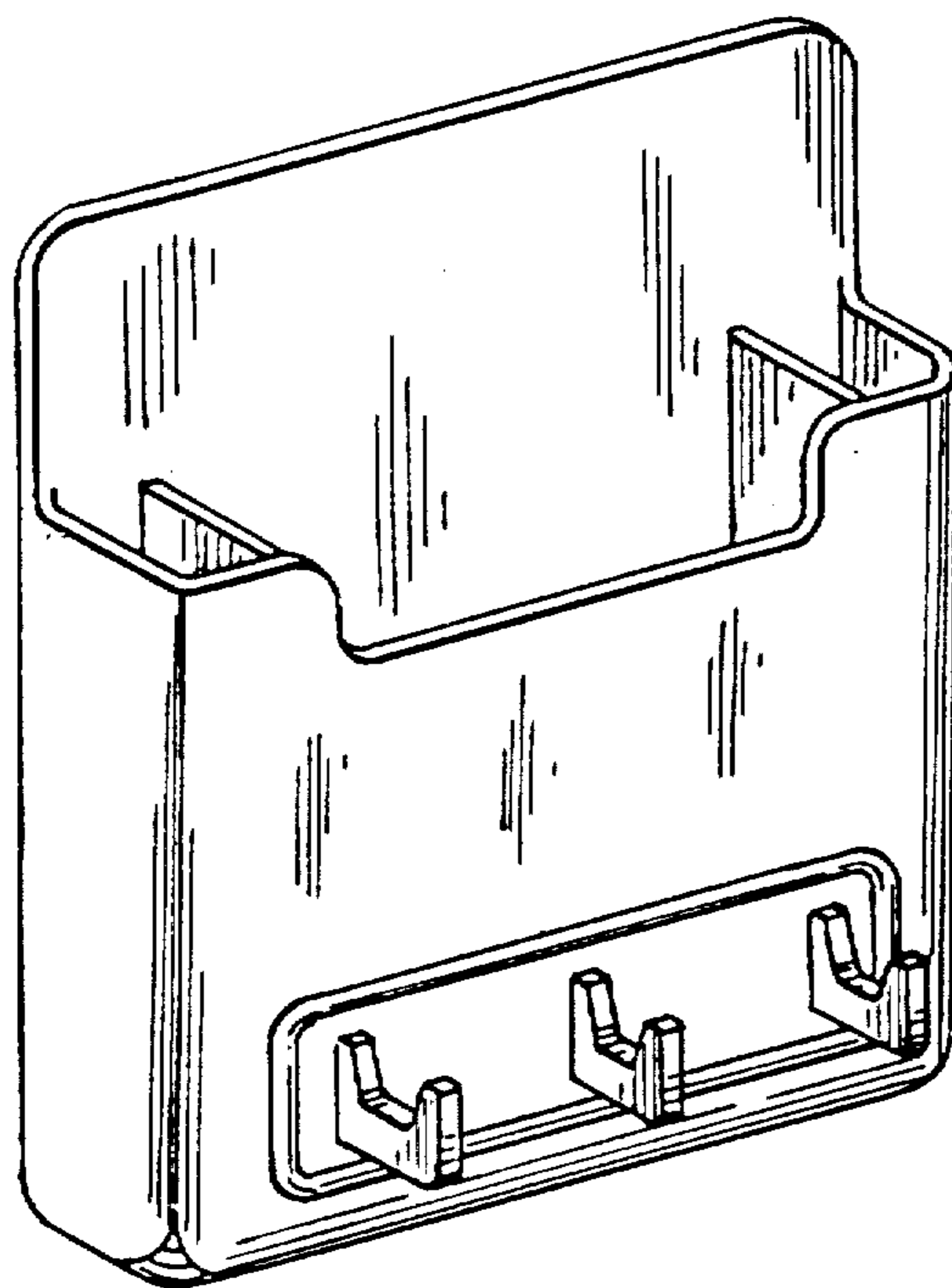


Fig. 6

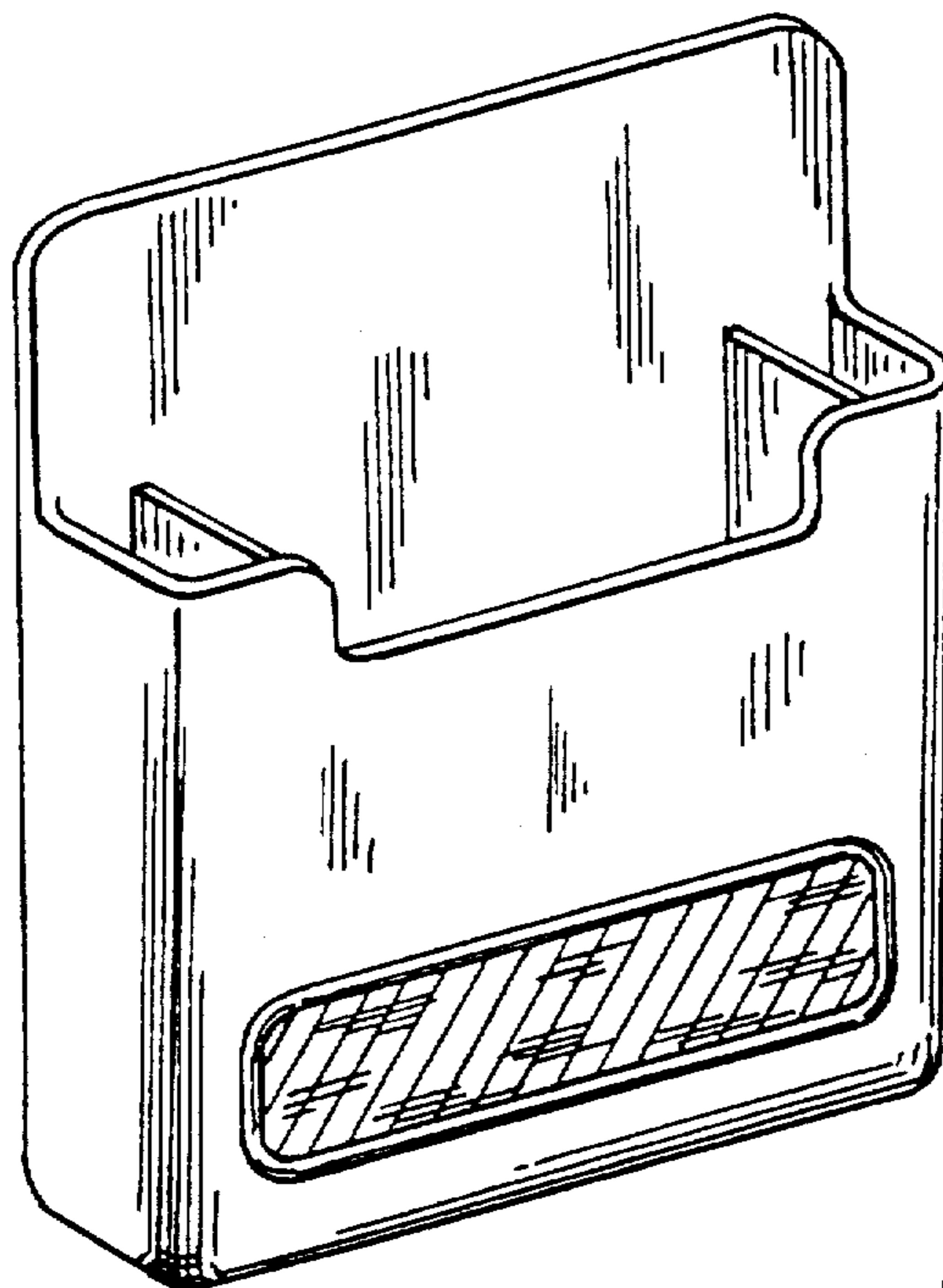


Fig. 7