

[54] SELF-ADJUSTING BOOK MARK

[76] Inventor: Walter H. Roberson, Jr., 1002 Raymond Ave., Altamonte Springs, Fla. 32701

[**] Term: 14 Years

[21] Appl. No.: 905,031

[22] Filed: Sep. 8, 1986

[52] U.S. Cl. D19/34; D19/65

[58] Field of Search D19/32, 34, 65, 72; 116/234, 235, 236, 237; 24/67 R, 67 CF, 67 PR, 67.1, 67.3, 67.9

[56] References Cited

U.S. PATENT DOCUMENTS

D. 297,334	8/1988	Trent	D19/65 X
D. 298,549	11/1988	Lepper	D19/32 X
593,683	11/1897	Pancoast, Jr.	24/67 CF
2,717,572	9/1955	Kingman	24/67.9 X

FOREIGN PATENT DOCUMENTS

219956 3/1942 Fed. Rep. of Germany D19/72
7312 of 1903 United Kingdom D19/34

Primary Examiner—Carmen H. Vales-Lado
Assistant Examiner—Martha Thompson
Attorney, Agent, or Firm—Neil F. Markva

[57] CLAIM

The ornamental design for a self-adjusting book mark, as shown and described.

DESCRIPTION

FIG. 1 is a front elevational view of a self-adjusting book mark showing my new design;
FIG. 2 is a rear elevational view;
FIG. 3 is a left side elevational view;
FIG. 4 is a right side elevational view;
FIG. 5 is a top plan view; and
FIG. 6 is a bottom plan view thereof.

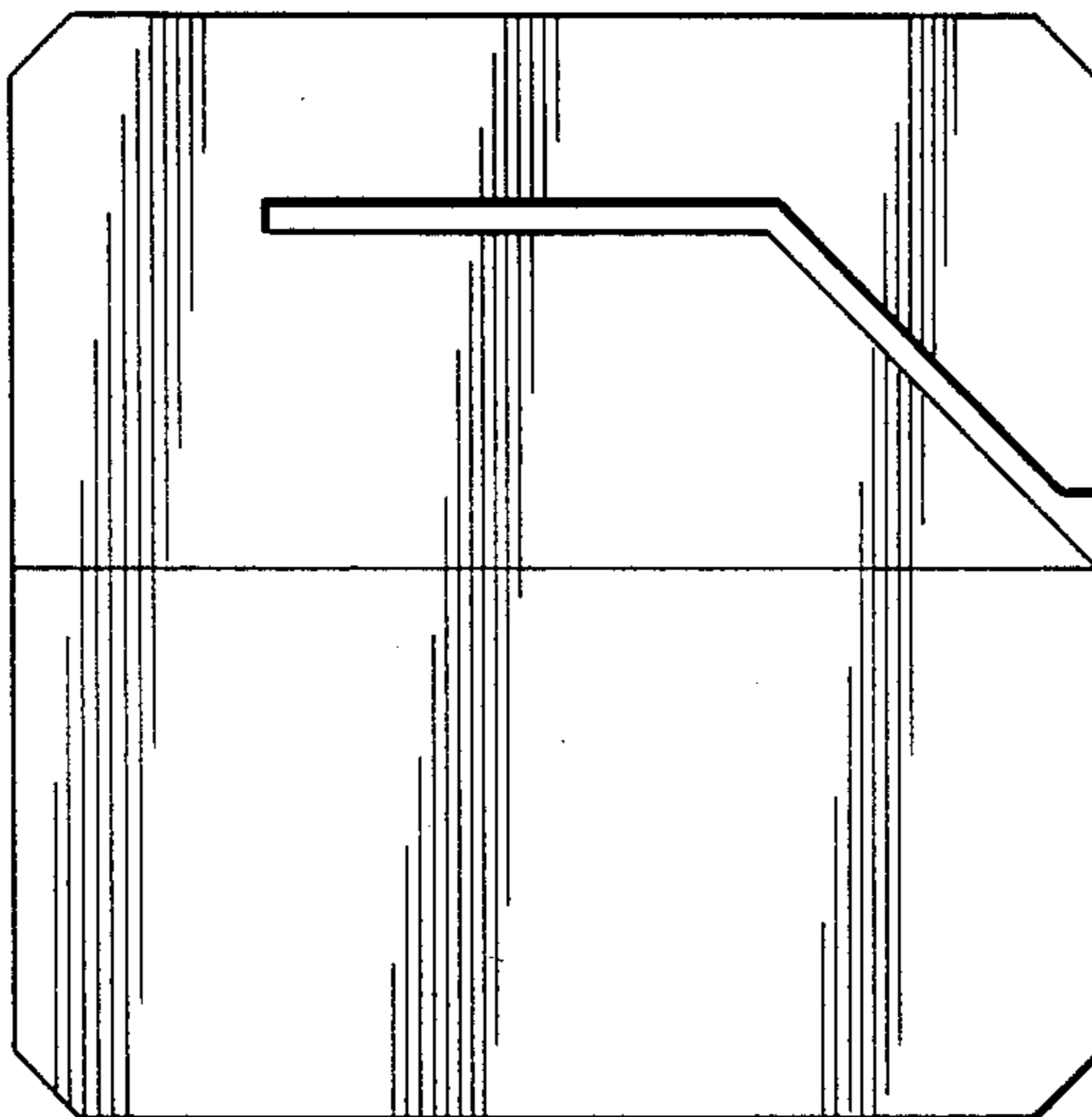


FIG. 1

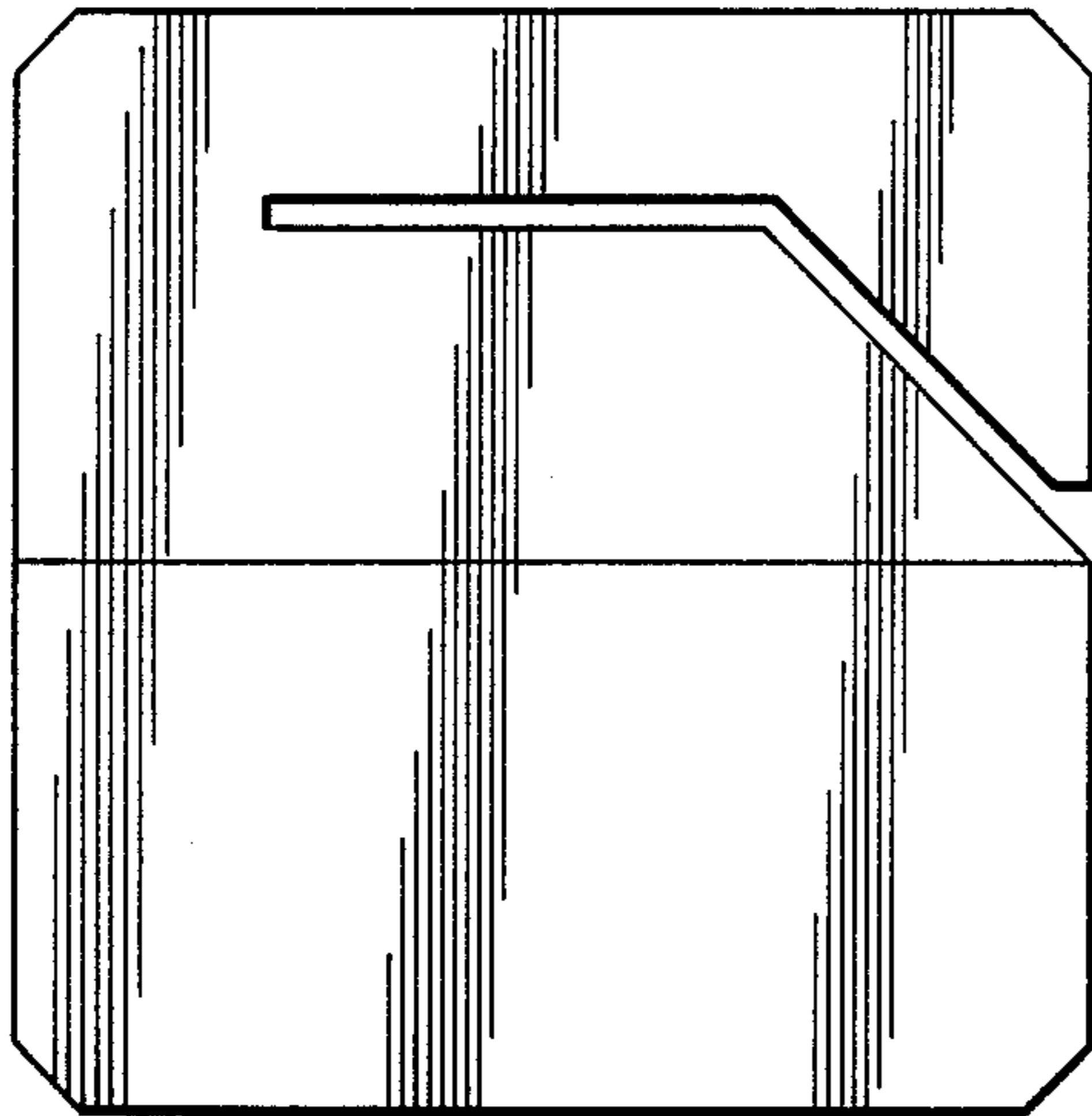


FIG. 2

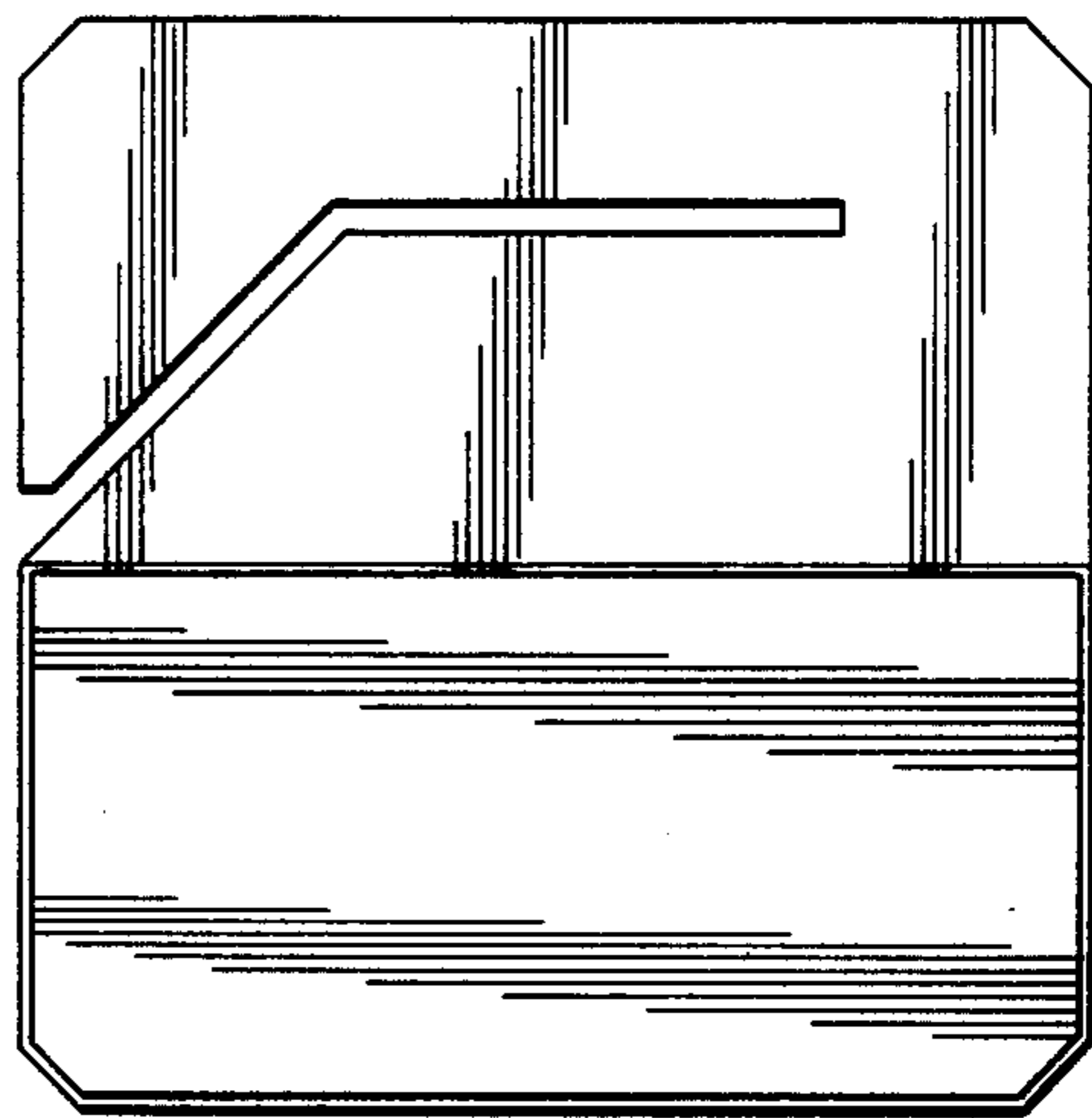


FIG. 3



FIG. 4



FIG. 5



FIG. 6

