

[54] AUTOMATIC STRAPPING MACHINE

[75] Inventors: Yasunori Sakaki, Tokyo; Tsutomu Tagomori, Yokohama, both of Japan

[73] Assignee: Strapack Corporation, Tokyo, Japan

[**] Term: 14 Years

[21] Appl. No.: 122,430

[22] Filed: Nov. 19, 1987

[30] Foreign Application Priority Data

May 27, 1987 [JP] Japan 62-20658

[52] U.S. Cl. D15/145

[58] Field of Search D15/145; 53/589, 582; 156/361; 100/26, 33 PB

[56] References Cited

U.S. PATENT DOCUMENTS

- 1,801,739 4/1931 Gustafson 156/361 X
- 3,996,719 12/1976 Dabrowski et al. 53/582 X
- 4,011,808 3/1977 Aoki et al. 100/26
- 4,383,881 5/1983 Sakaki 156/361
- 4,661,185 4/1987 Kobiella 53/589 X
- 4,769,970 9/1988 Konno 53/589 X
- 4,776,905 10/1988 Cheung et al. 53/589

FOREIGN PATENT DOCUMENTS

- 1108607 6/1961 Fed. Rep. of Germany 53/198 R
- 1297538 6/1969 Fed. Rep. of Germany 53/198 R
- 2225298 5/1972 Fed. Rep. of Germany 53/589
- 7407687 12/1975 Netherlands 53/589

OTHER PUBLICATIONS

FMC Corporation Semi Automatic Strapping Machine Brochure.

Primary Examiner—Carmen H. Vales-Lado

Assistant Examiner—Jeffrey Asch

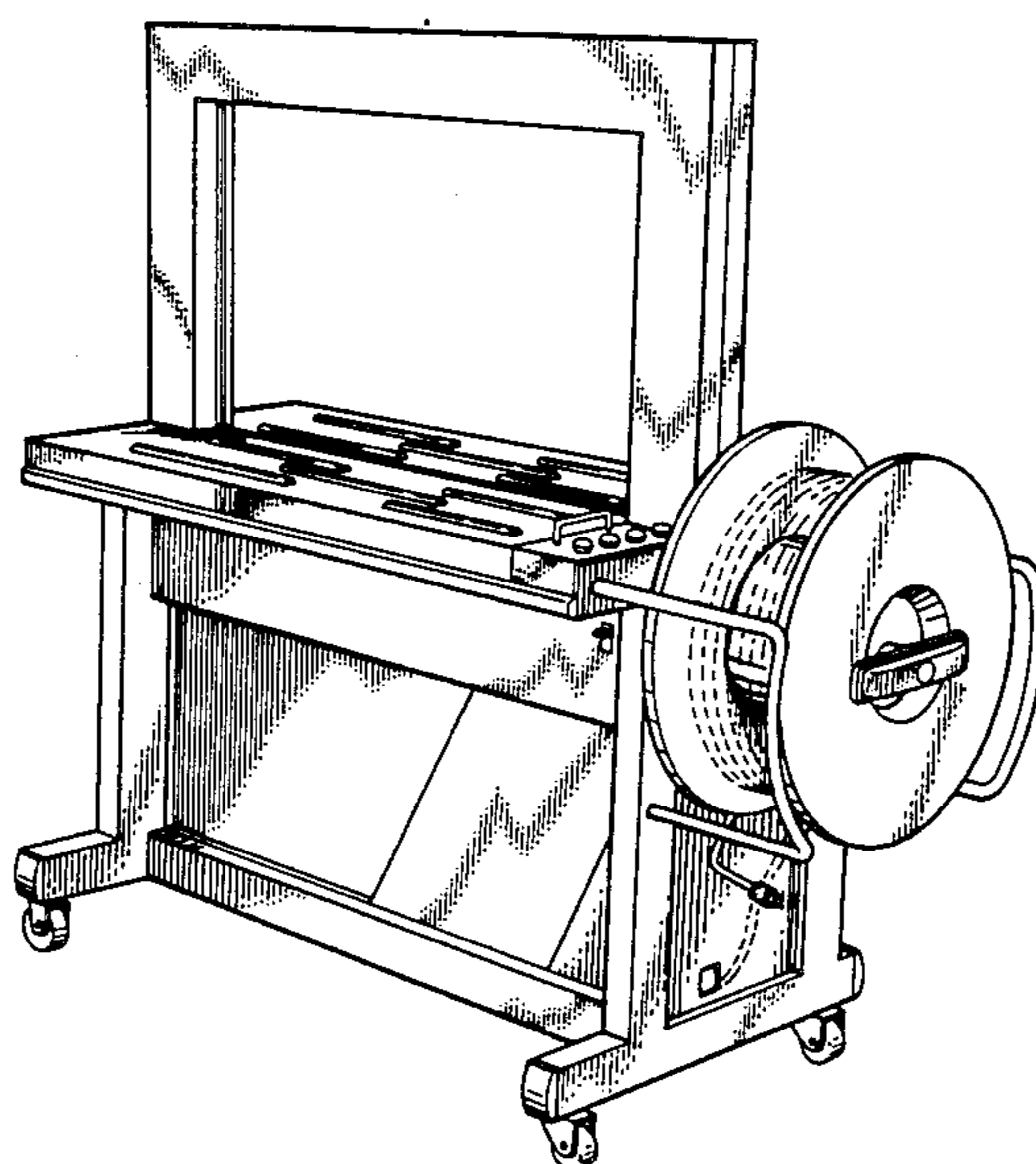
Attorney, Agent, or Firm—Burns, Doane, Swecker & Mathis

[57] CLAIM

The ornamental design for an automatic strapping machine, as shown and described.

DESCRIPTION

FIG. 1 is a front perspective view of an automatic strapping machine showing our new design; FIG. 2 is a front elevational view; FIG. 3 is a rear elevational view; FIG. 4 is a top plan view; FIG. 5 is a left-side elevational view; FIG. 6 is a right-side elevational view; and FIG. 7 is a bottom plan view thereof. The strapping material shown in broken lines in FIG. 1 is for illustrative purposes only and forms no part of the claimed invention.



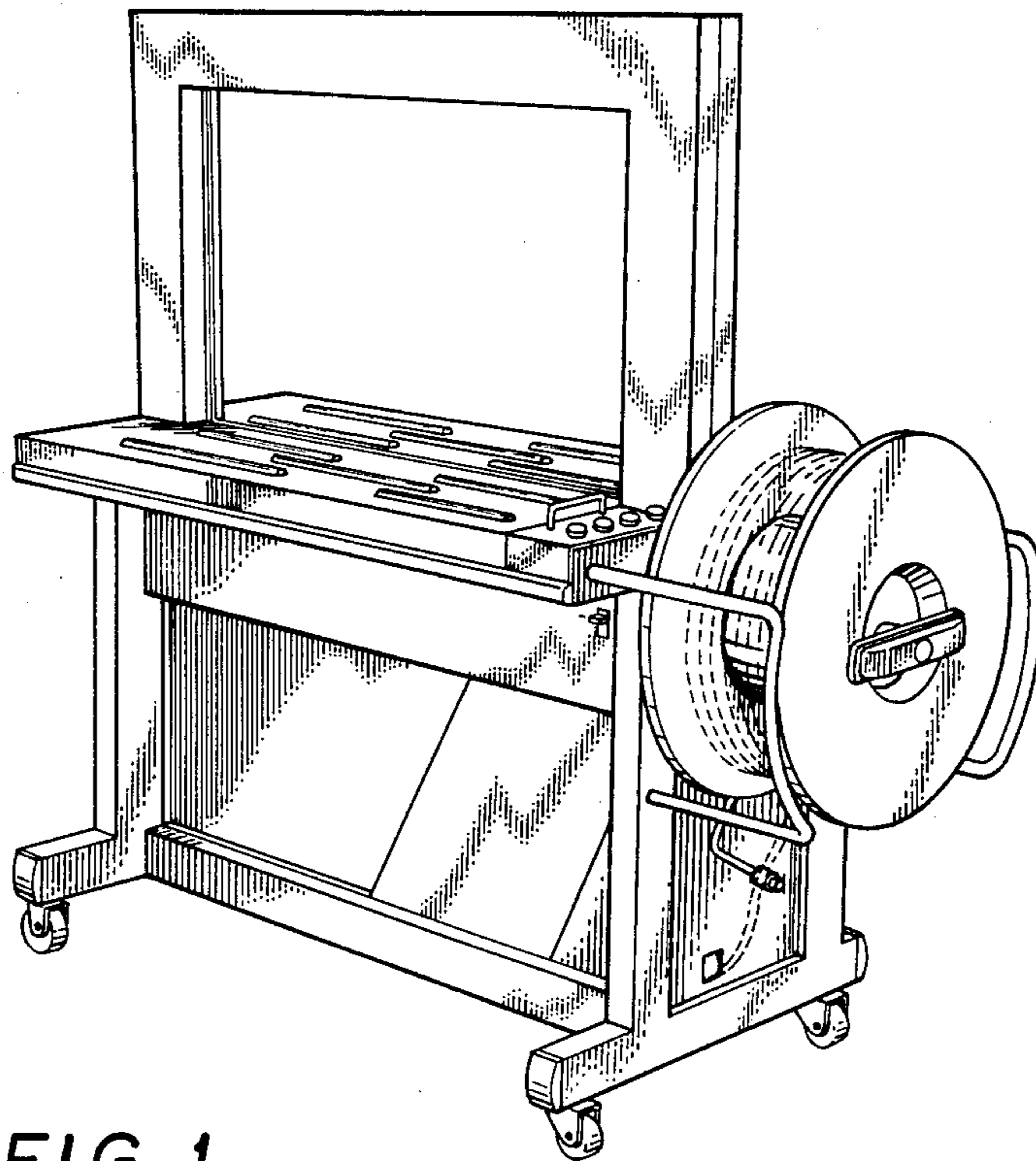


FIG. 1

FIG. 2

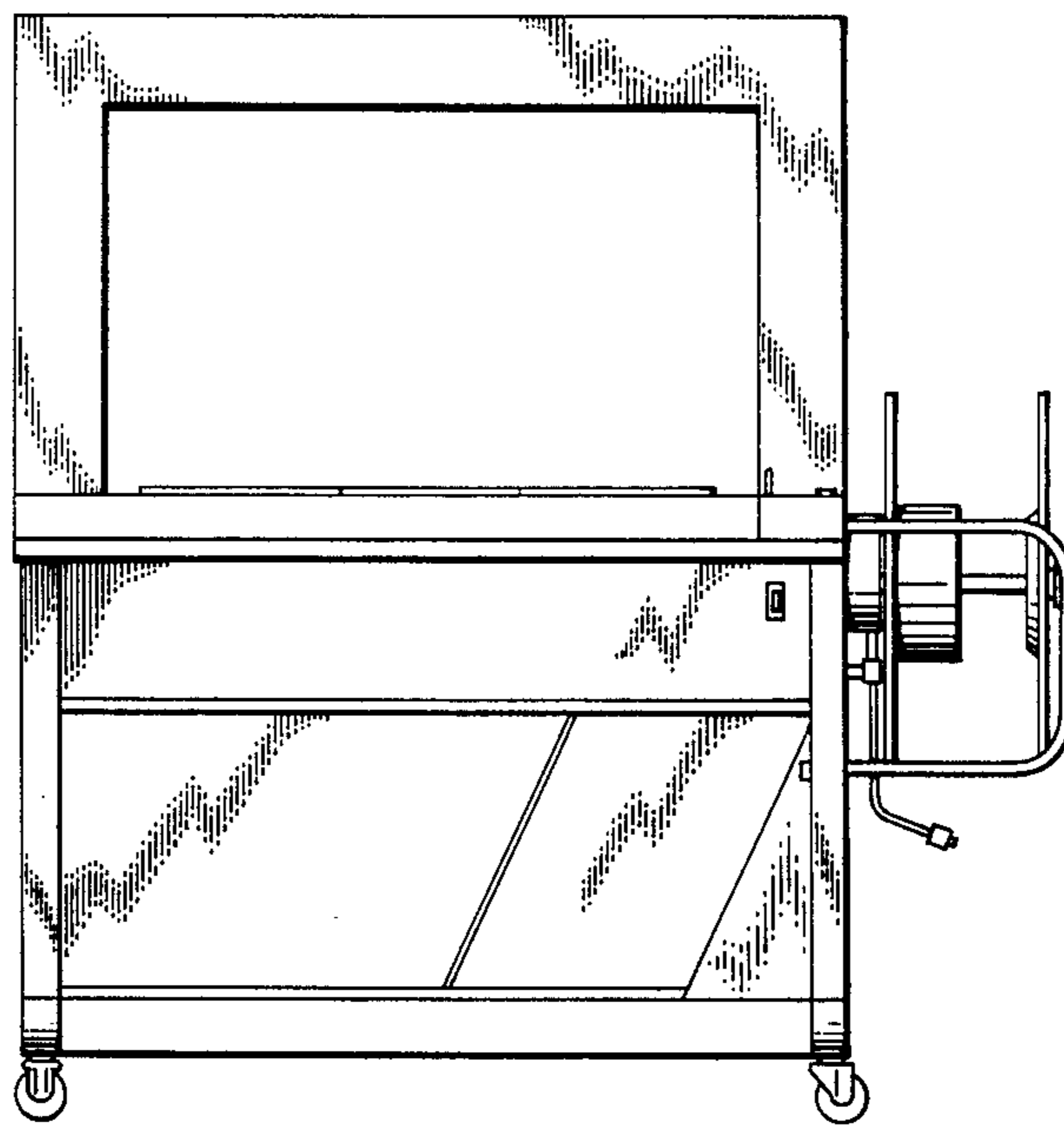
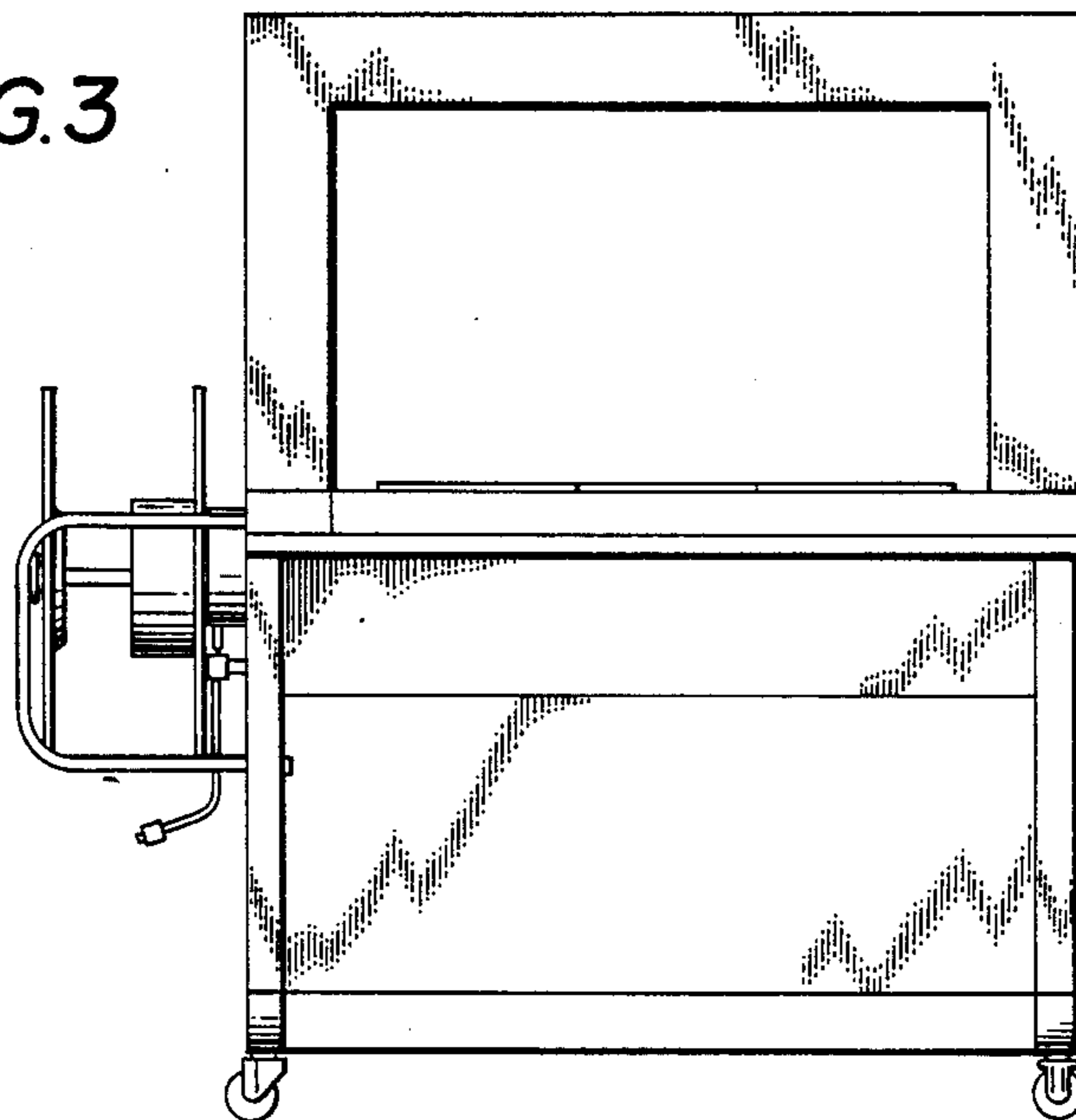


FIG. 3



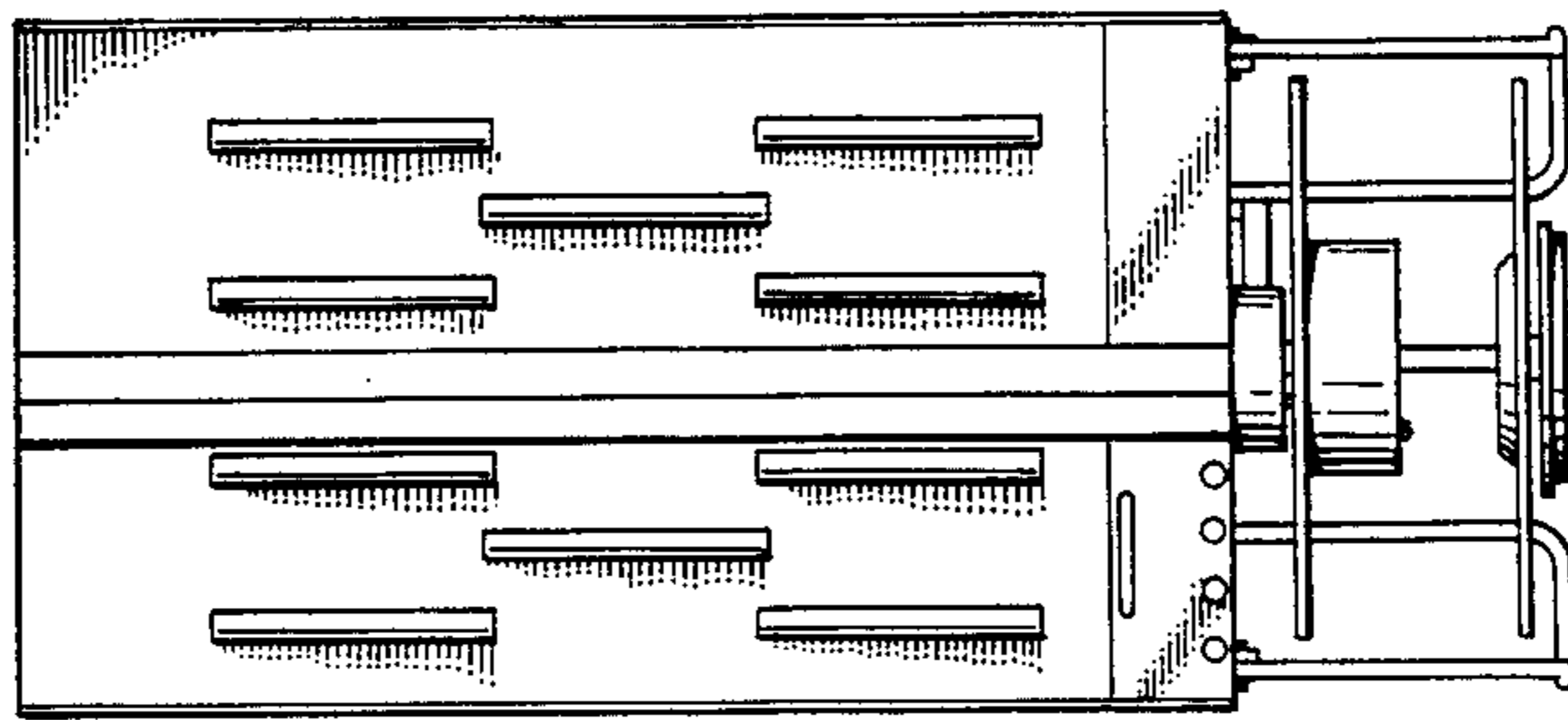


FIG. 4

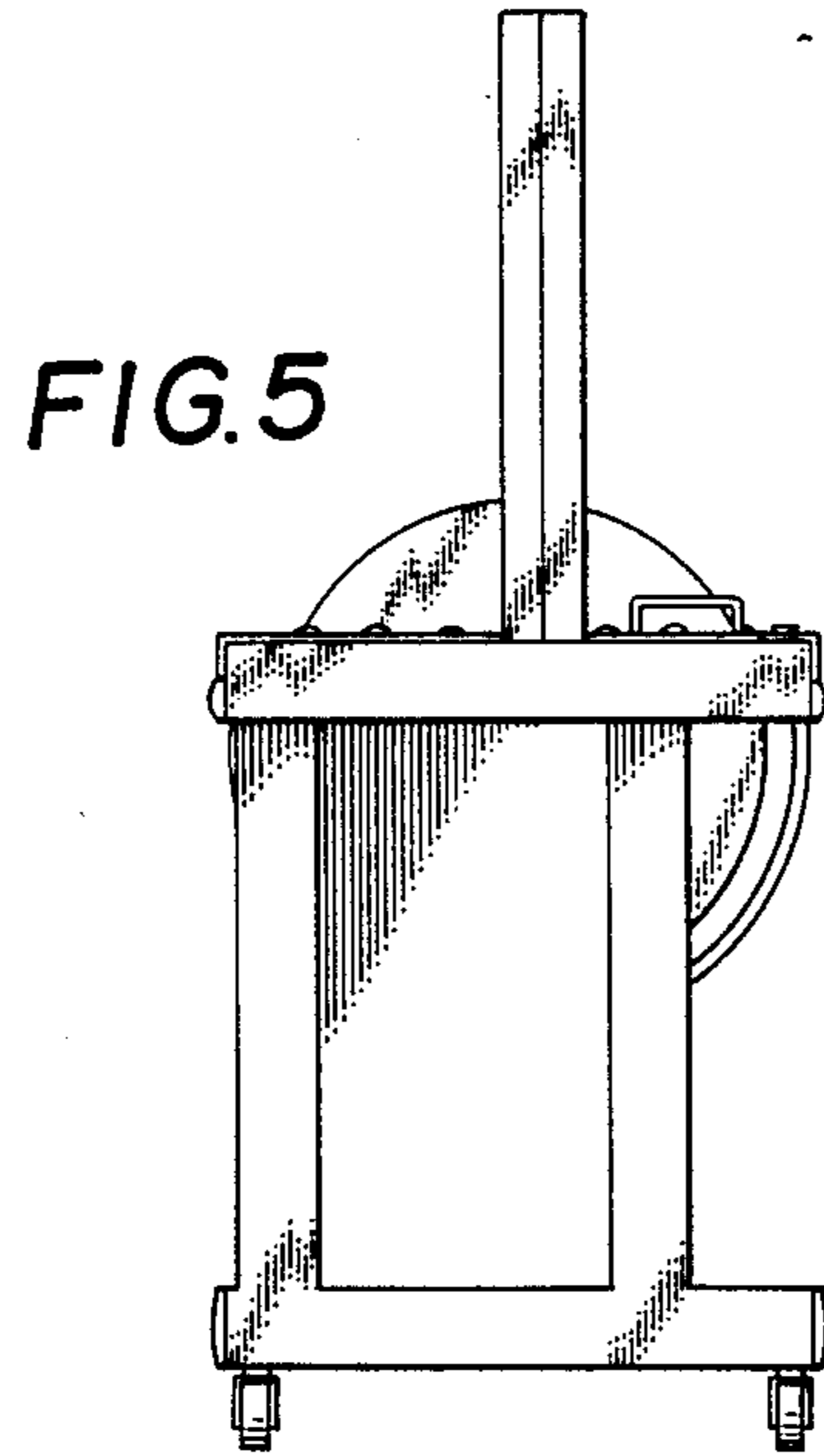


FIG. 5

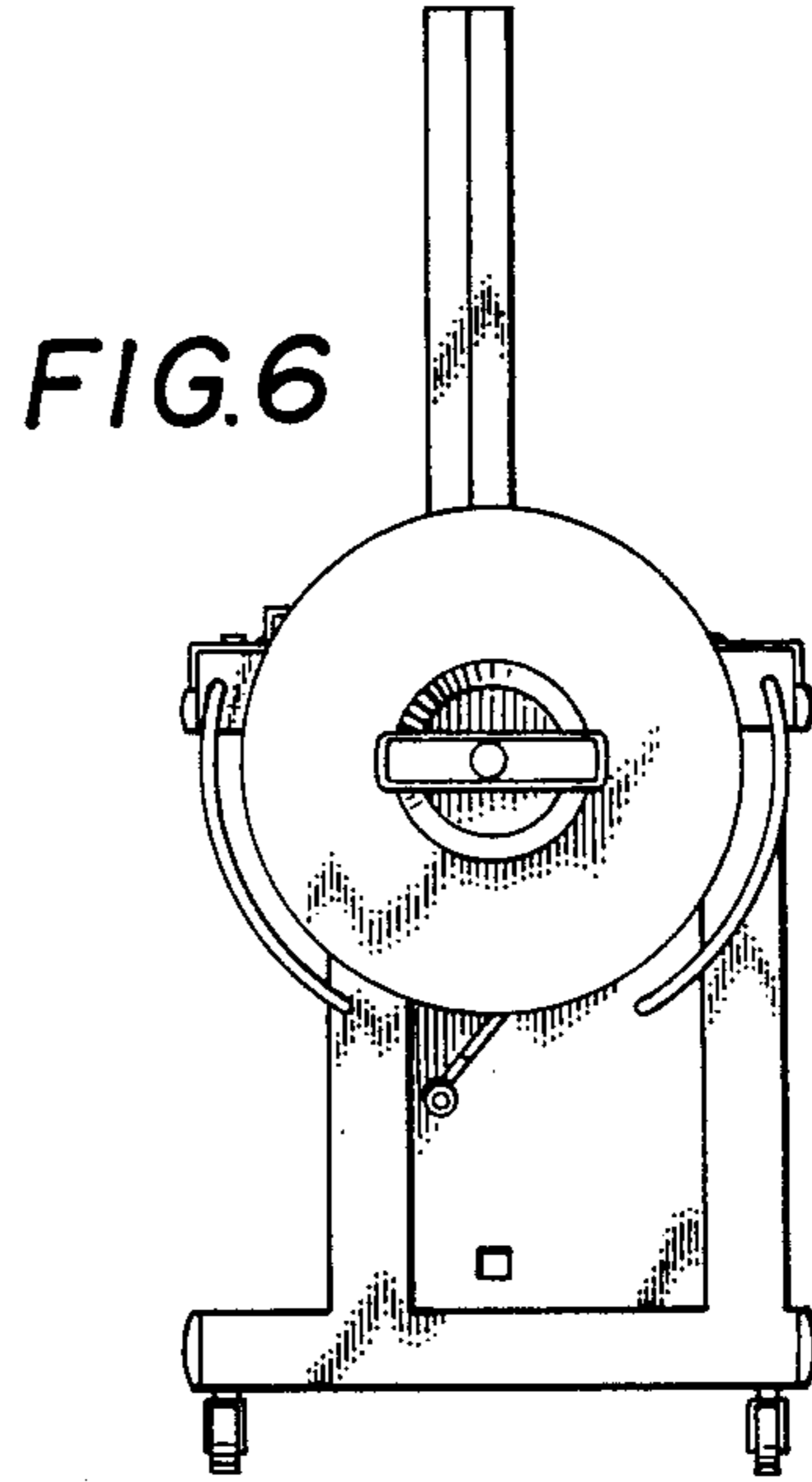


FIG. 6

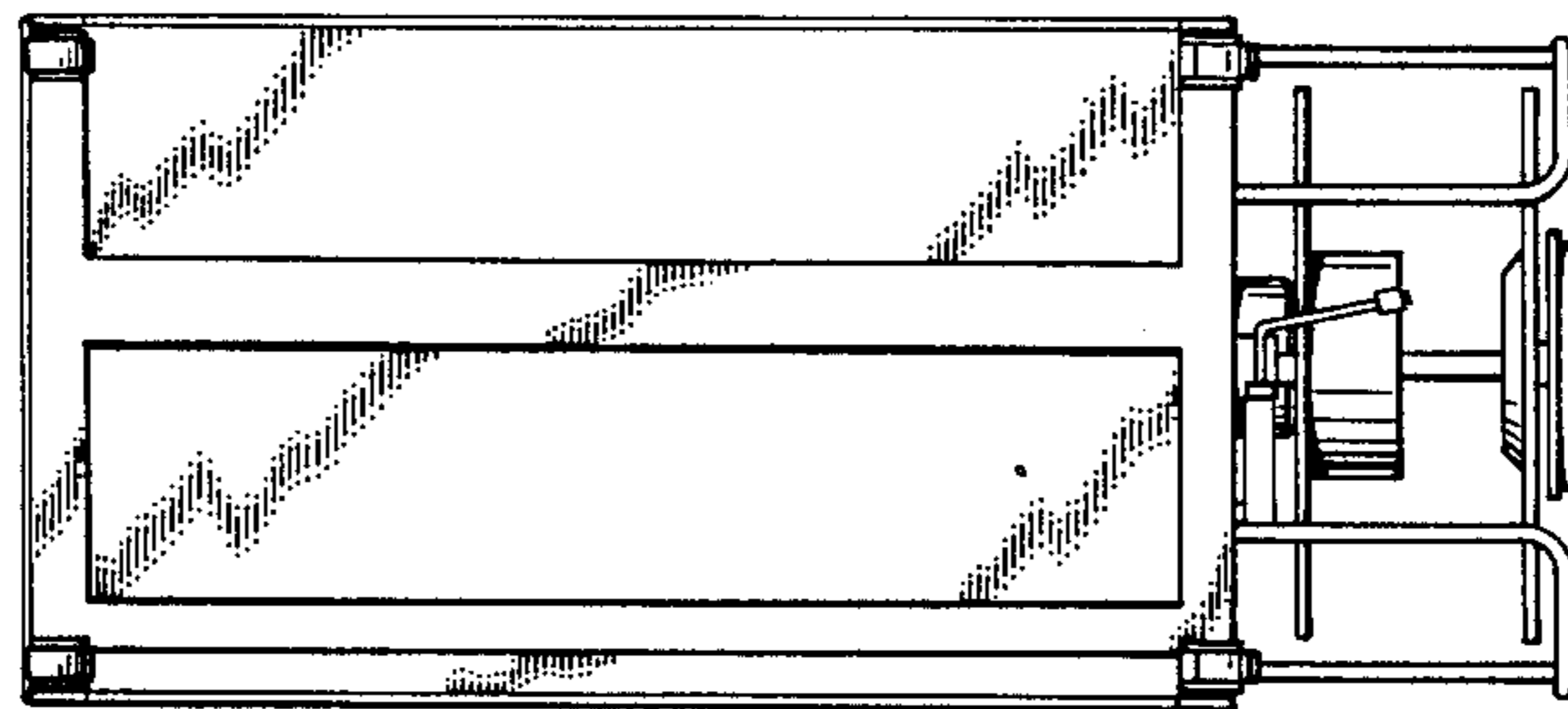


FIG. 7