

[54] **COMPOST MIXER**

[75] **Inventors: Robert A. Payack, Schenectady; Alfred J. Bold, Waterford, both of N.Y.**

[73] **Assignee: Garden Way Incorporated, Troy, N.Y.**

[**] **Term: 14 Years**

[21] **Appl. No.: 39,365**

[22] **Filed: Apr. 17, 1987**

[52] **U.S. Cl. D15/10; D15/199**

[58] **Field of Search D15/10, 11, 12, 147, D15/199; 51/164.1; 248/128, 130; 220/5 A, 466, 213; 366/220, 225, 230**

[56] **References Cited**

U.S. PATENT DOCUMENTS

196,681	10/1877	Lauger	366/225
D. 265,094	6/1982	Williams	D15/147
293,528	2/1884	Scribner	51/164.1
1,767,481	6/1930	Royan	220/213

Primary Examiner—B. J. Bullock

Assistant Examiner—Sandra Morris

Attorney, Agent, or Firm—Donald J. Hayes; R. William Reinsmith

[57] **CLAIM**

The ornamental design for a compost mixer, as shown.

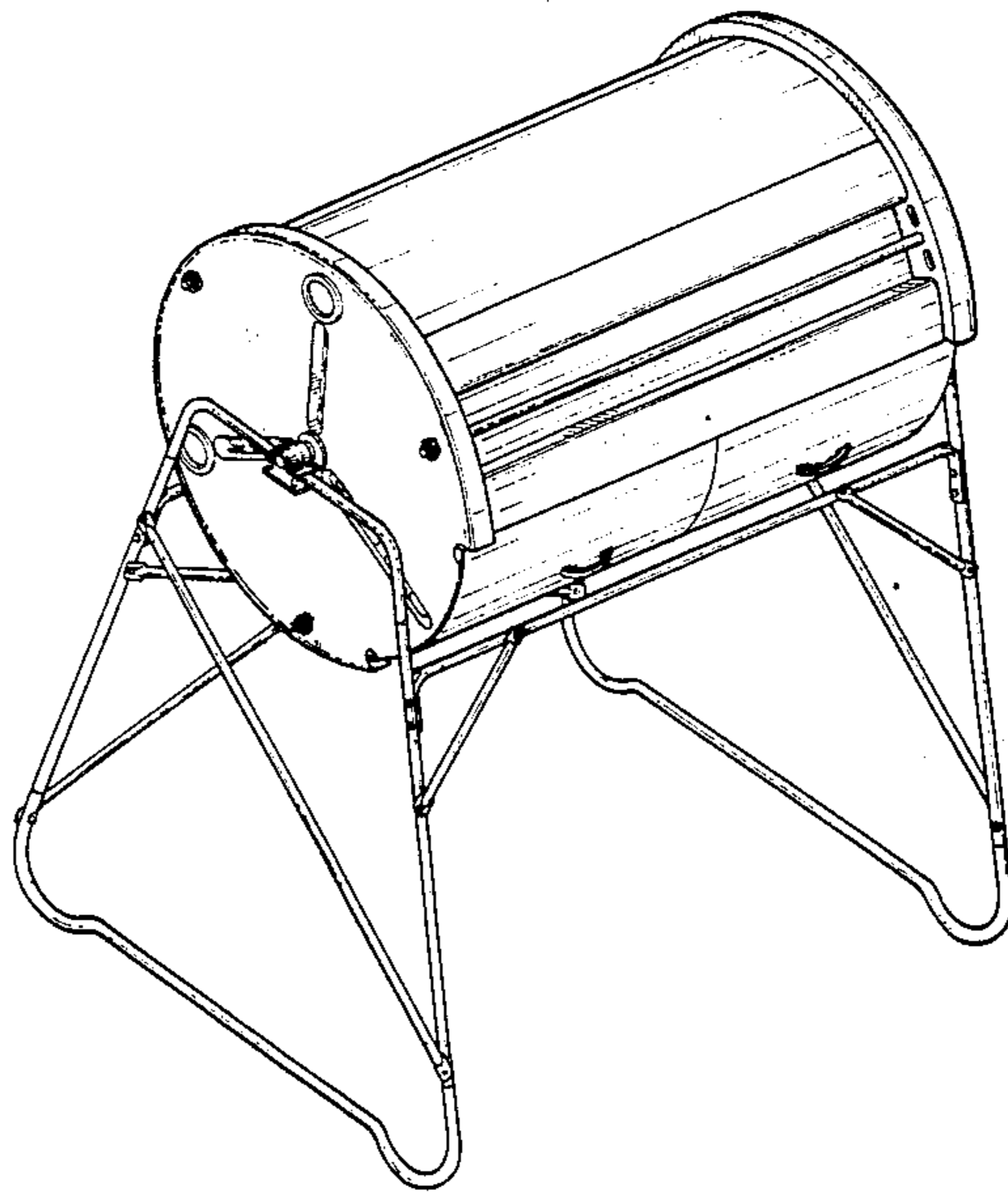
DESCRIPTION

FIG. 1 is a perspective view of the compost mixer, showing my new design;

FIG. 2 is a side view thereof;

FIG. 3 is a front view thereof;

FIG. 4 is a rear view thereof.



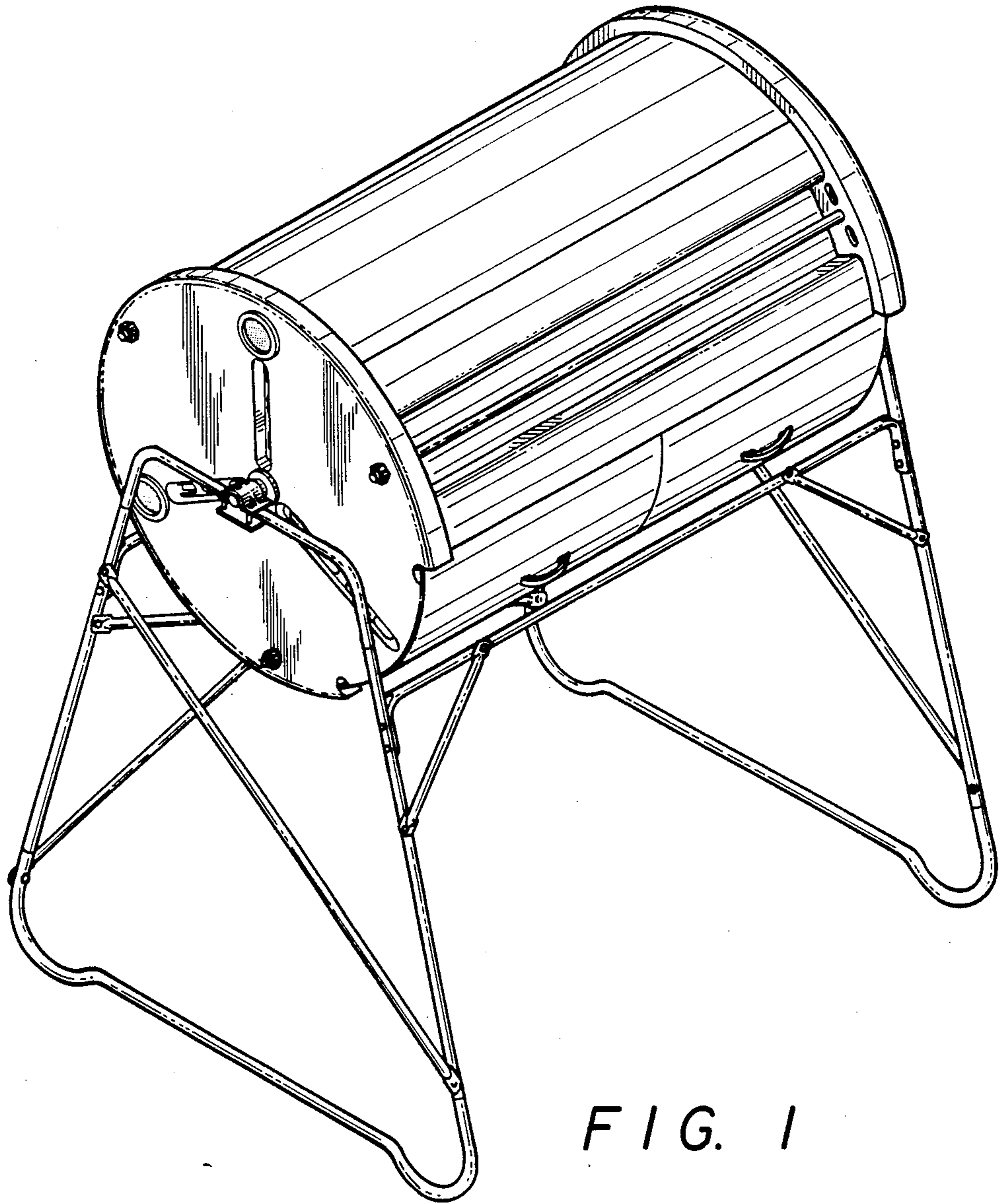


FIG. 1

FIG. 2

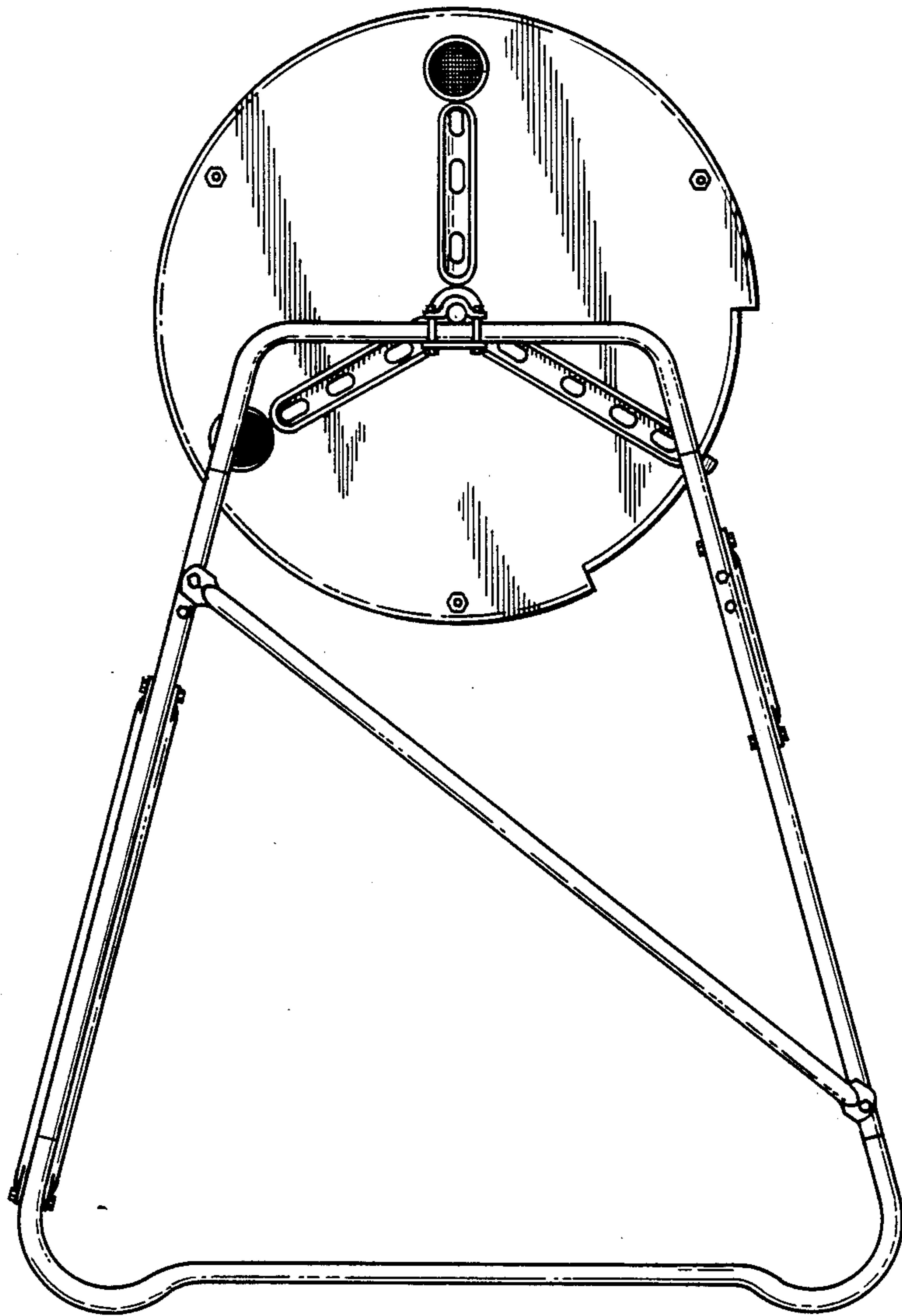


FIG. 3

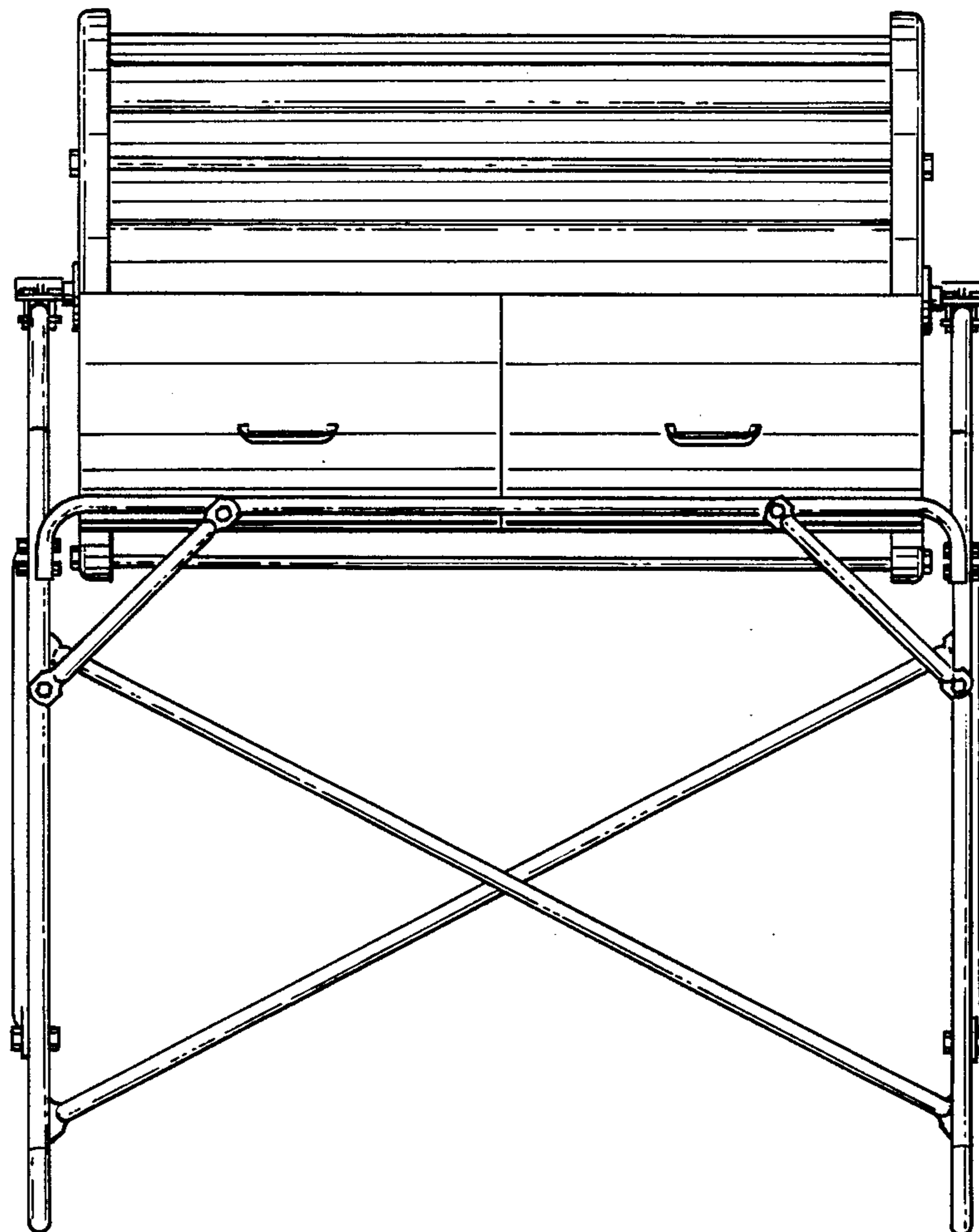


FIG. 4

