

[54] **HANDSET AND STAND TELECOMMUNICATION INSTRUMENT**

[75] Inventors: **Herbert Pfeifer, Campbell; Paul Montgomery, San Francisco; Dan Sturges, Campbell, all of Calif.**

[73] Assignee: **Samsung Electronics Co., Ltd., Suwon, Rep. of Korea**

[*] Notice: The portion of the term of this patent subsequent to Apr. 24, 2004 has been disclaimed.

[**] Term: **14 Years**

[21] Appl. No.: **233,252**

[22] Filed: **Aug. 16, 1988**

[30] **Foreign Application Priority Data**

Apr. 19, 1988 [KR] Rep. of Korea 1988-5290

[52] U.S. Cl. **D14/151; D14/248; D14/241; D14/247**

[58] Field of Search **D14/159, 140, 141, 142, D14/248, 246, 151; 379/440, 419, 420, 428, 432, 436**

[56] **References Cited**
U.S. PATENT DOCUMENTS

D. 236,356	8/1975	Henshaw et al.	D14/151
D. 236,734	9/1975	Daum	D14/151
D. 275,008	8/1984	Martin	D14/151
D. 286,042	10/1986	Fukutani	D14/151
D. 292,703	10/1987	Tragatschnig	D14/151
D. 293,571	1/1988	Büchin	D14/151
D. 298,935	12/1988	Büchin	D14/151
D. 299,228	1/1989	Kurosu et al.	D14/151
D. 299,456	1/1989	Kuo	D14/151
D. 300,628	4/1989	Wu	D14/151

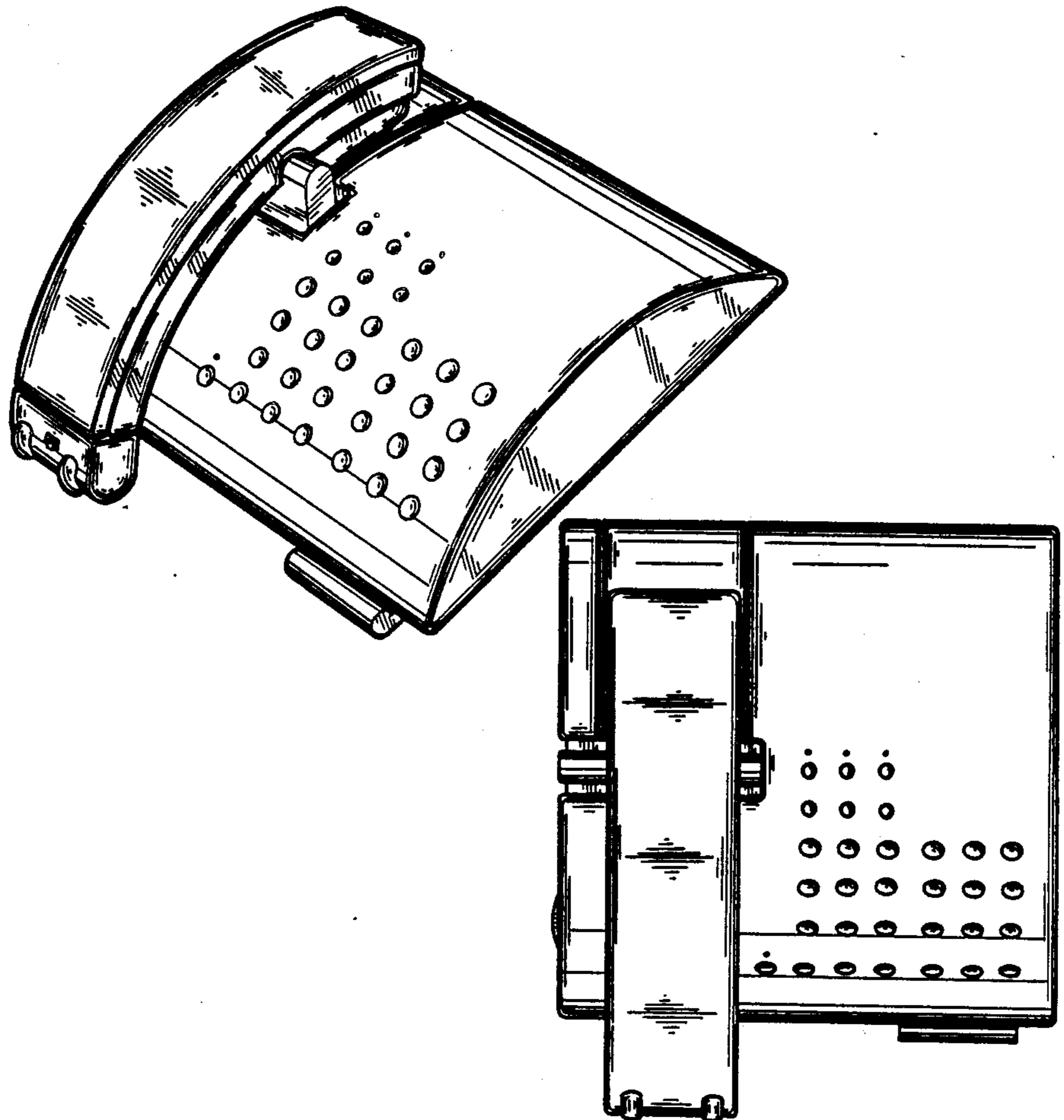
Primary Examiner—Horace B. Fay, Jr.
Attorney, Agent, or Firm—Fleit, Jacobson, Cohn, Price, Holman & Stern

[57] **CLAIM**

The ornamental design for handset and stand telecommunication instrument, substantially as shown and described.

DESCRIPTION

FIG. 1 is a front and top and right side perspective view of a handset and stand telecommunication instrument showing our new design;
FIG. 2 is a top plan view thereof;
FIG. 3 is a front elevational view thereof;
FIGS. 4 and 5 are respectively left and right side elevational views;
FIG. 6 is a bottom plan view thereof; and
FIG. 7 is a rear elevational view thereof.



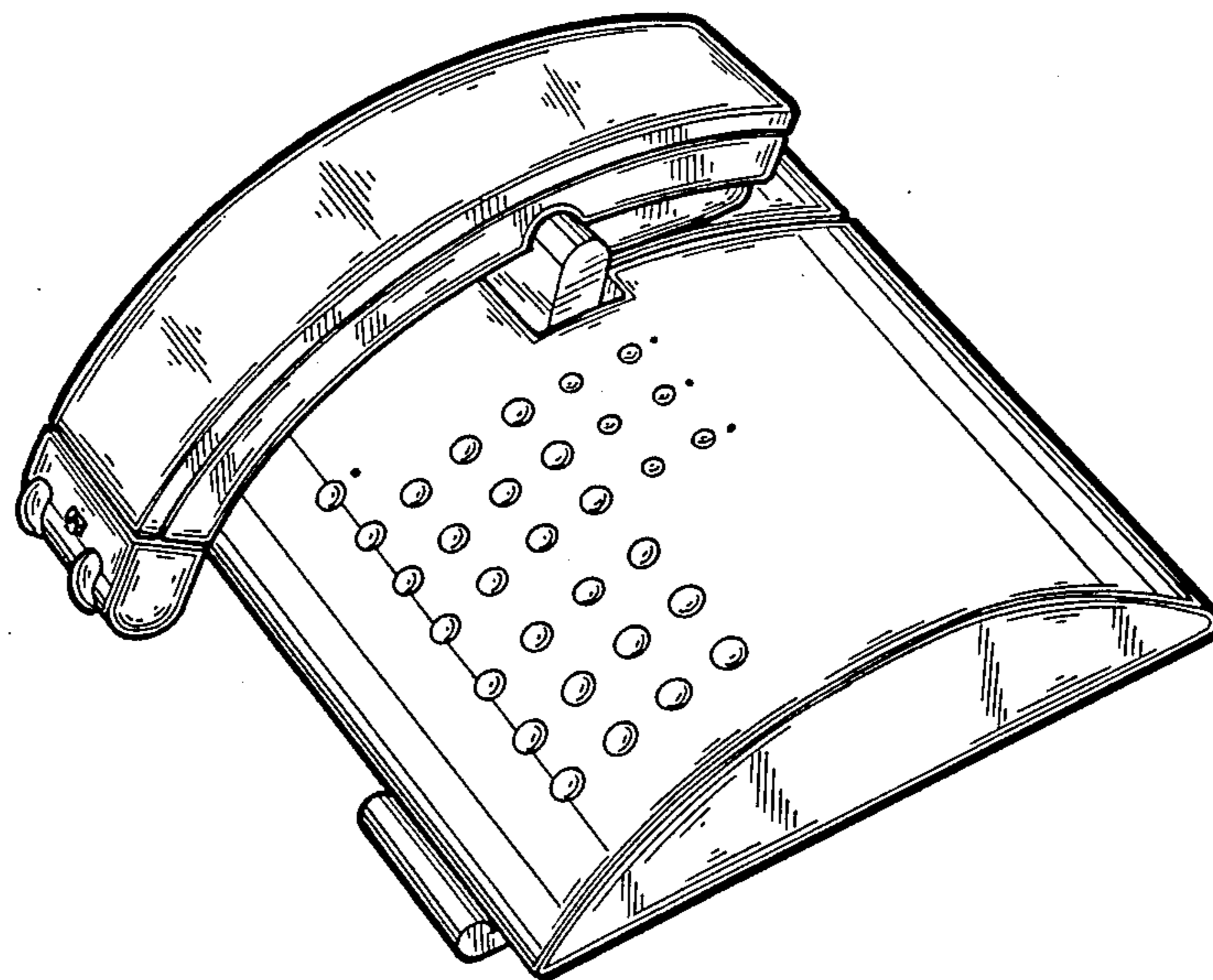


FIG. 1

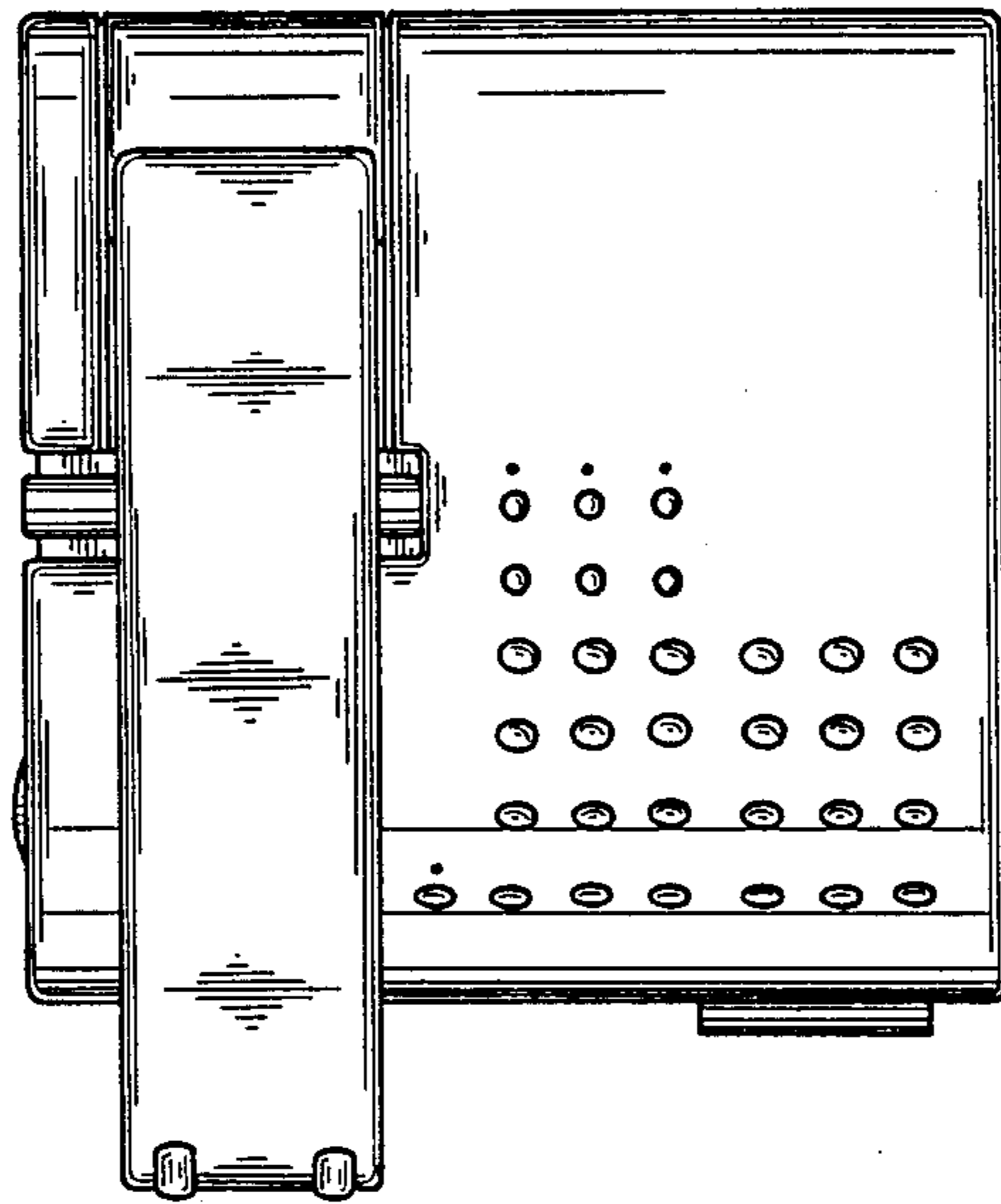


FIG. 2

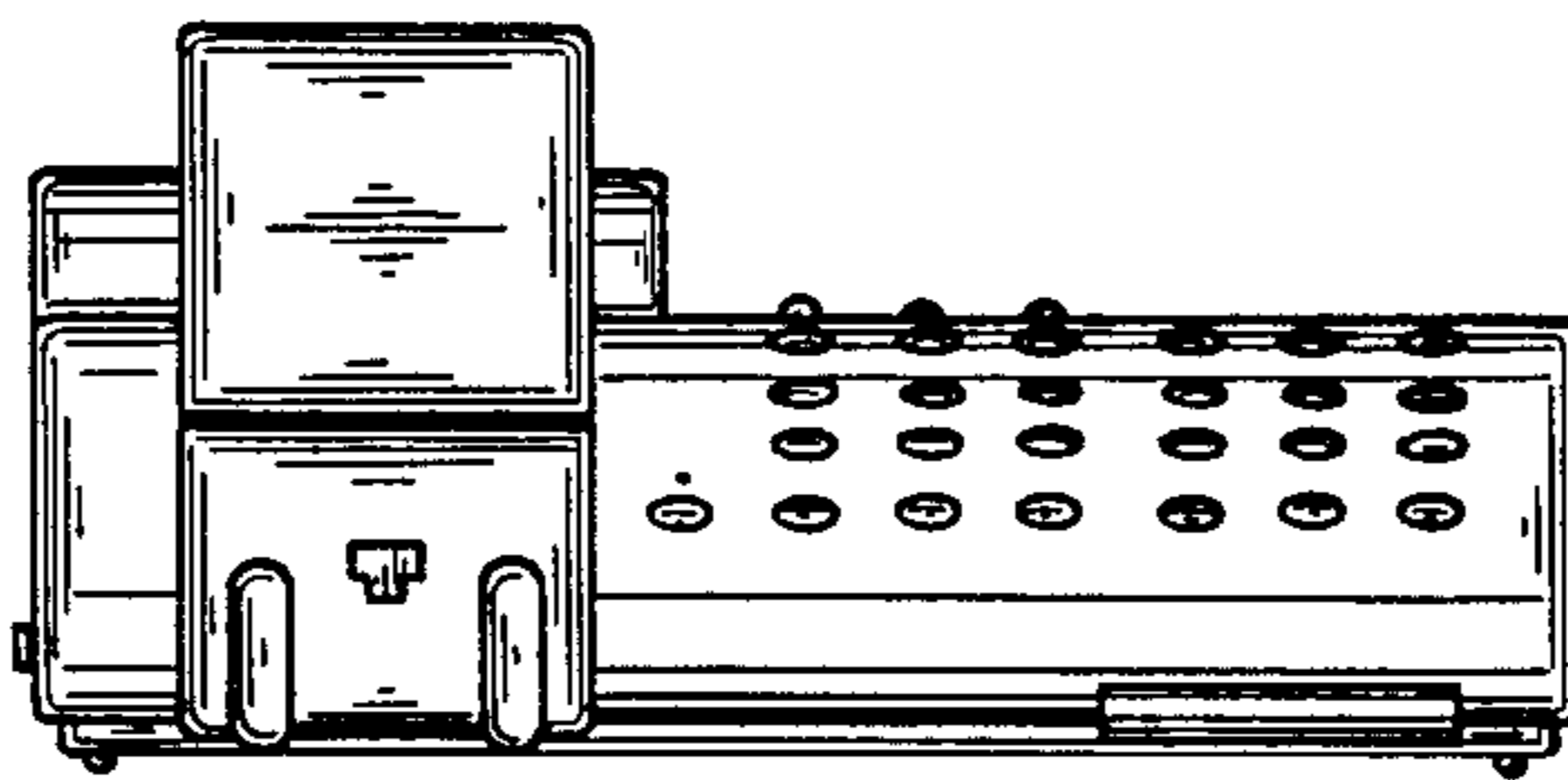


FIG. 3

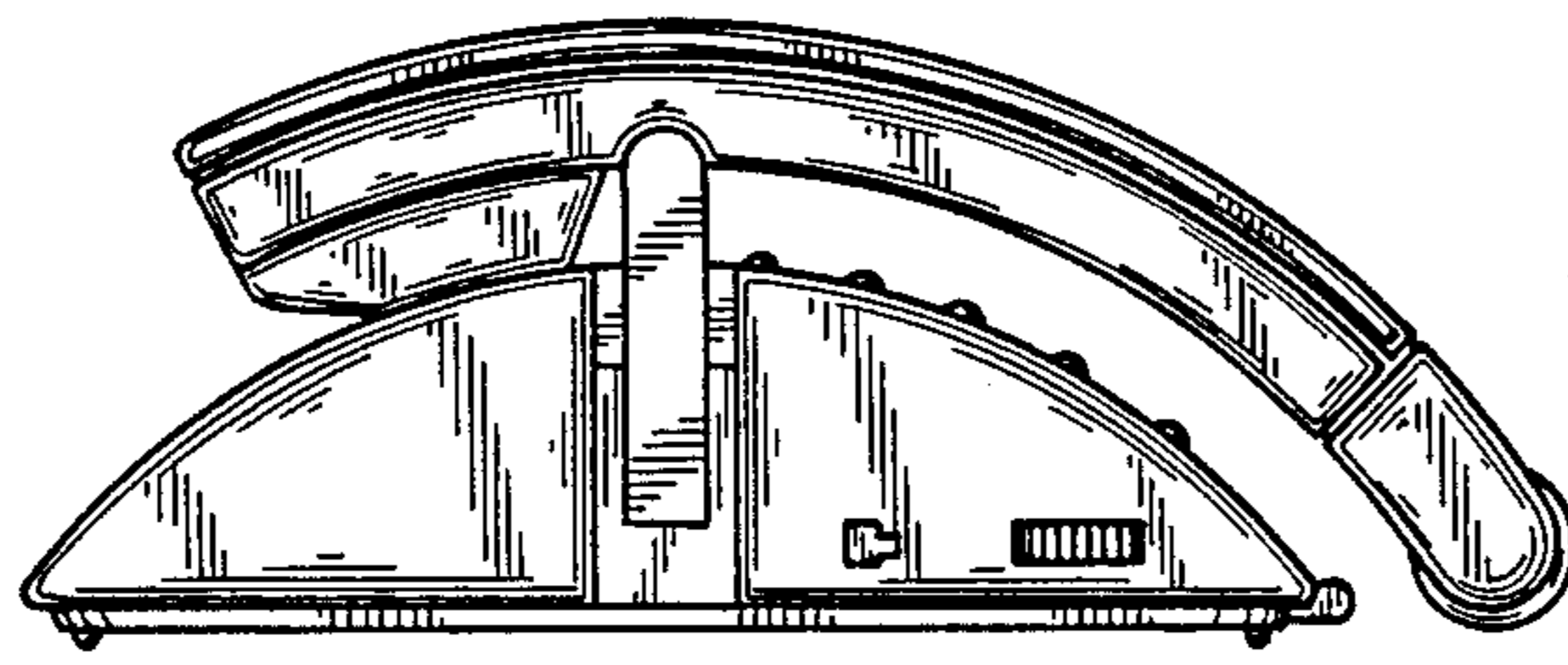


FIG. 4

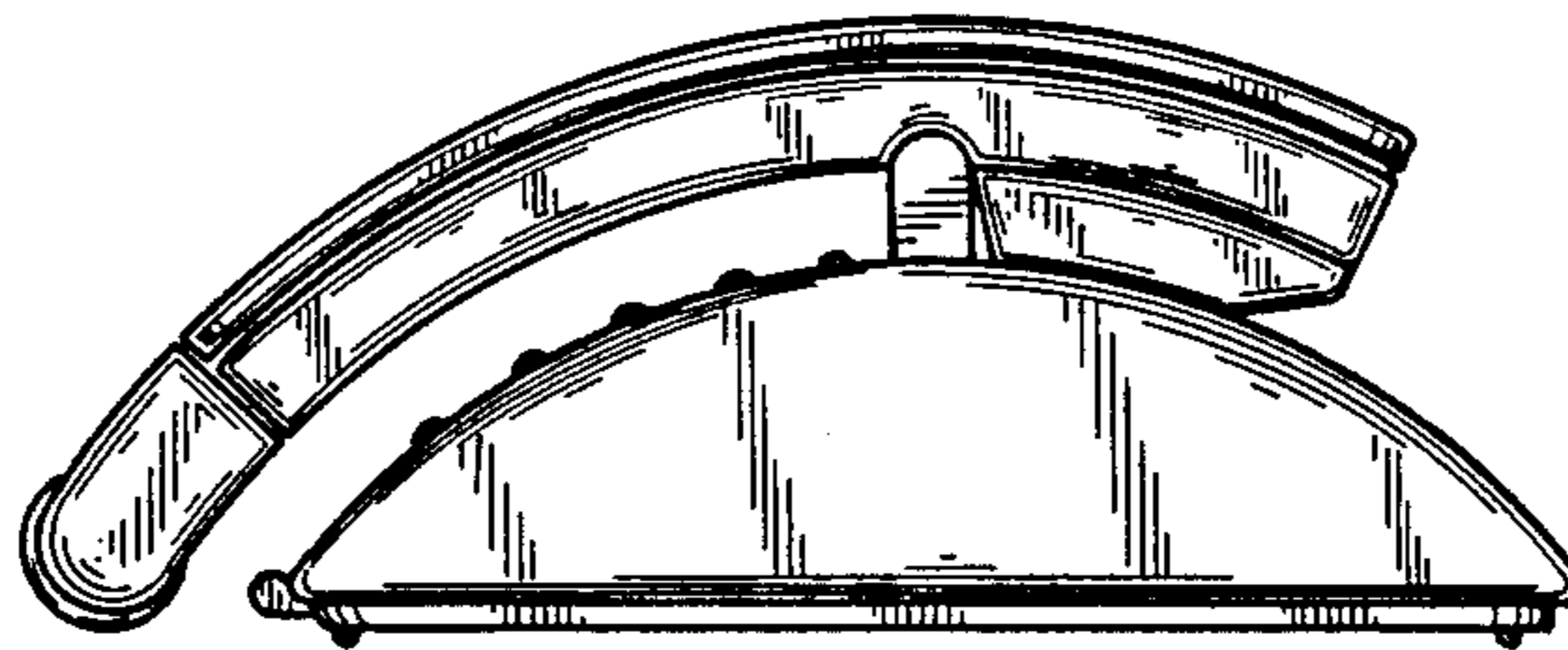


FIG. 5

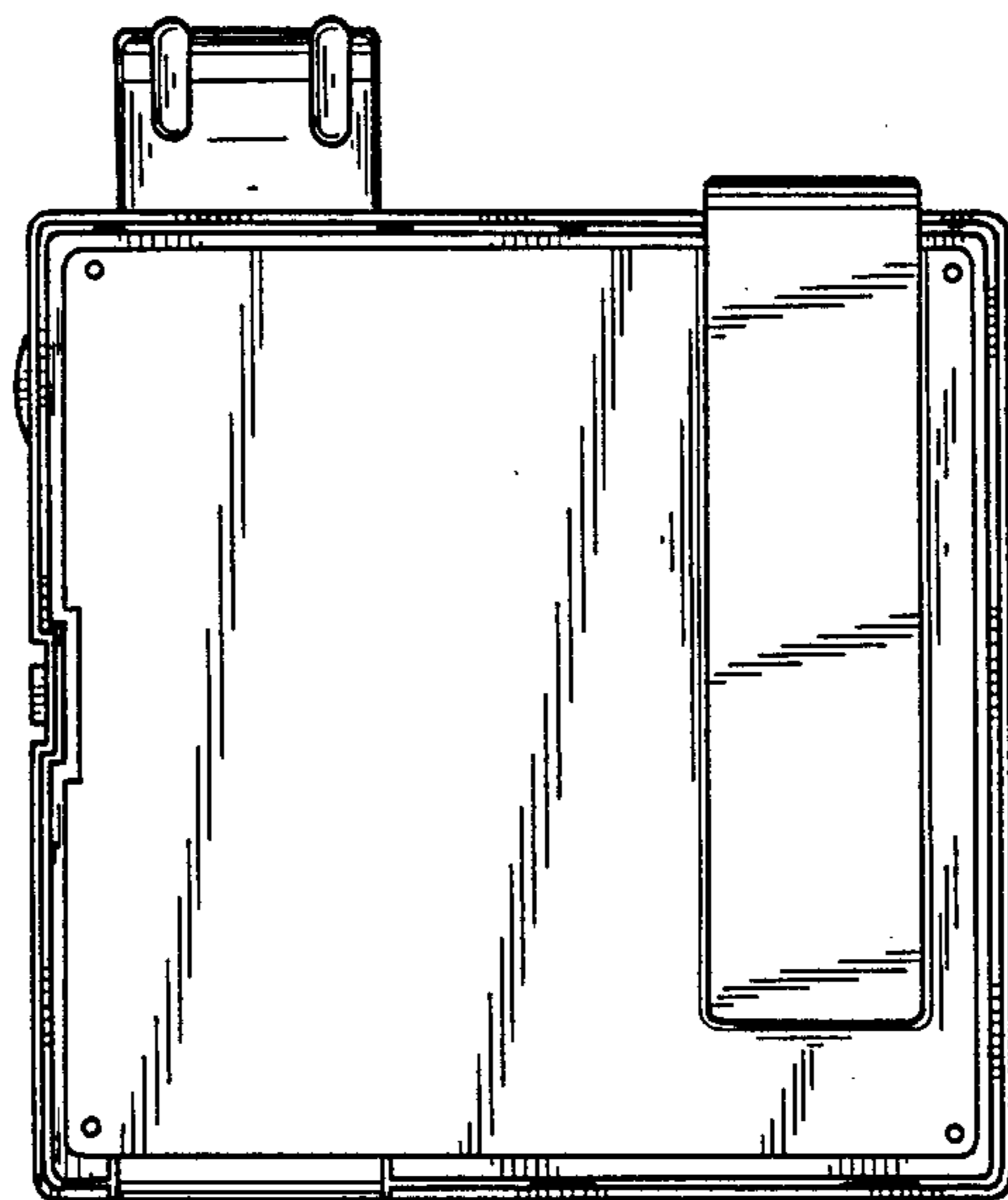


FIG. 6

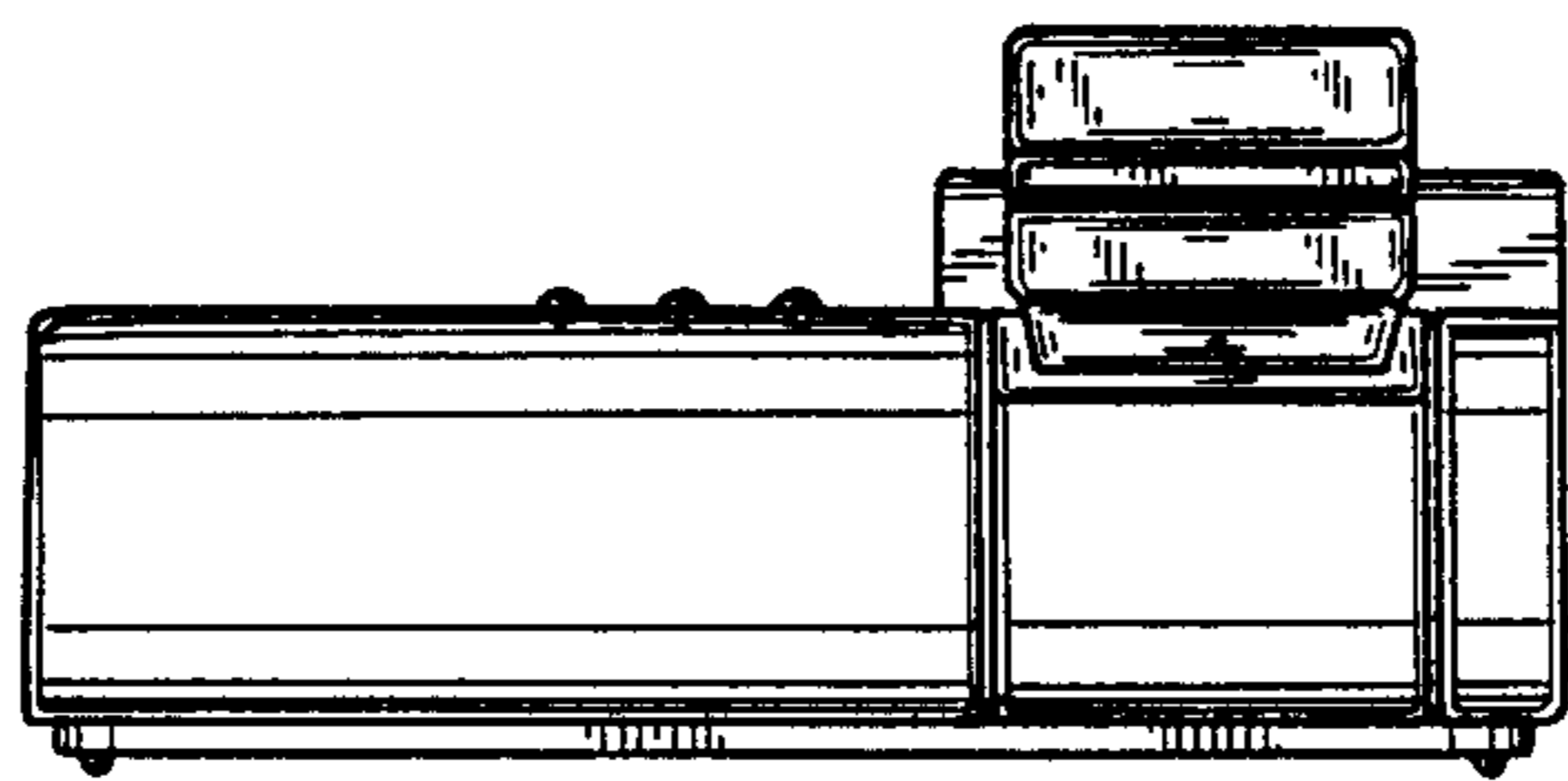


FIG. 7