

[54] VEHICLE HOOD ORNAMENT

[76] Inventor: Elmar Kaiser, Jr., 6 Route de Meyrin, CH-1202 Geneva, Switzerland

[**] Term: 14 Years

[21] Appl. No.: 28,325

[22] Filed: Mar. 20, 1987

[30] Foreign Application Priority Data

Sep. 29, 1986 [WO] World Int. Prop. O. DM007540

[52] U.S. Cl. D12/198; D10/57

[58] Field of Search D12/198, 197; D10/57, D10/58, 60; 428/31

[56] References Cited

U.S. PATENT DOCUMENTS

- D. 127,984 7/1941 Whyte et al. D10/57
- D. 280,807 10/1985 Kaiser D12/197
- 1,435,106 11/1922 Comiskey D12/197

FOREIGN PATENT DOCUMENTS

- 0117840 9/1984 European Pat. Off. 428/31
- 672775 2/1986 Japan .

OTHER PUBLICATIONS

J. C. Whitney & Co. catalog, No. 468K, (Parts & Acces-

sories), Copyright 1986, pp. 129 and 130, Spring-Loaded Hood Ornament.

Primary Examiner—James M. Gandy
Assistant Examiner—Melody Brown
Attorney, Agent, or Firm—Fleit, Jacobson, Cohn, Price, Holman & Stern

[57] CLAIM

The ornamental design for a vehicle hood ornament, as shown and described.

DESCRIPTION

FIG. 1 is a perspective view of a vehicle hood ornament, showing my new designs;
FIG. 2 is a front elevational view thereof;
FIG. 3 is a front elevational view of a second embodiment of a vehicle hood ornament;
FIG. 4 is a rear elevational view of the vehicle hood ornament shown in FIGS. 2 and 3;
FIG. 5 is a side elevational view of the vehicle hood ornament shown in FIGS. 2 and 3;
FIG. 6 is a top plan view of the vehicle hood ornament shown in FIGS. 2 and 3; and
FIG. 7 is a bottom plan view of the vehicle hood ornament shown in FIGS. 2 and 3.

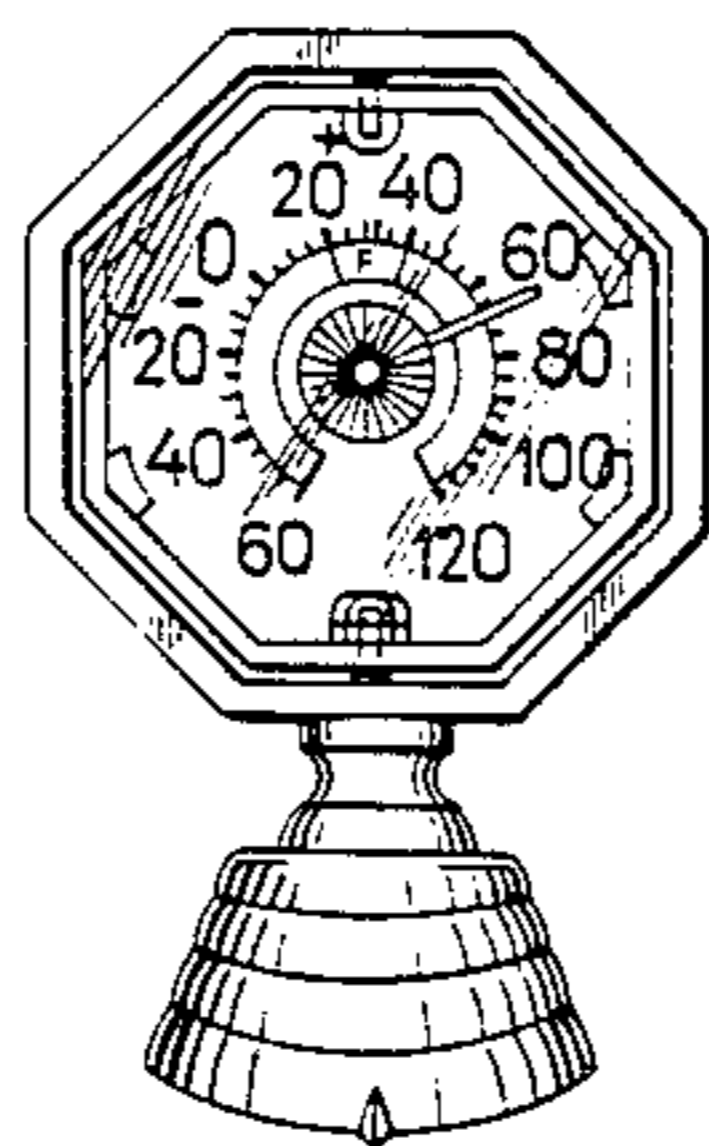
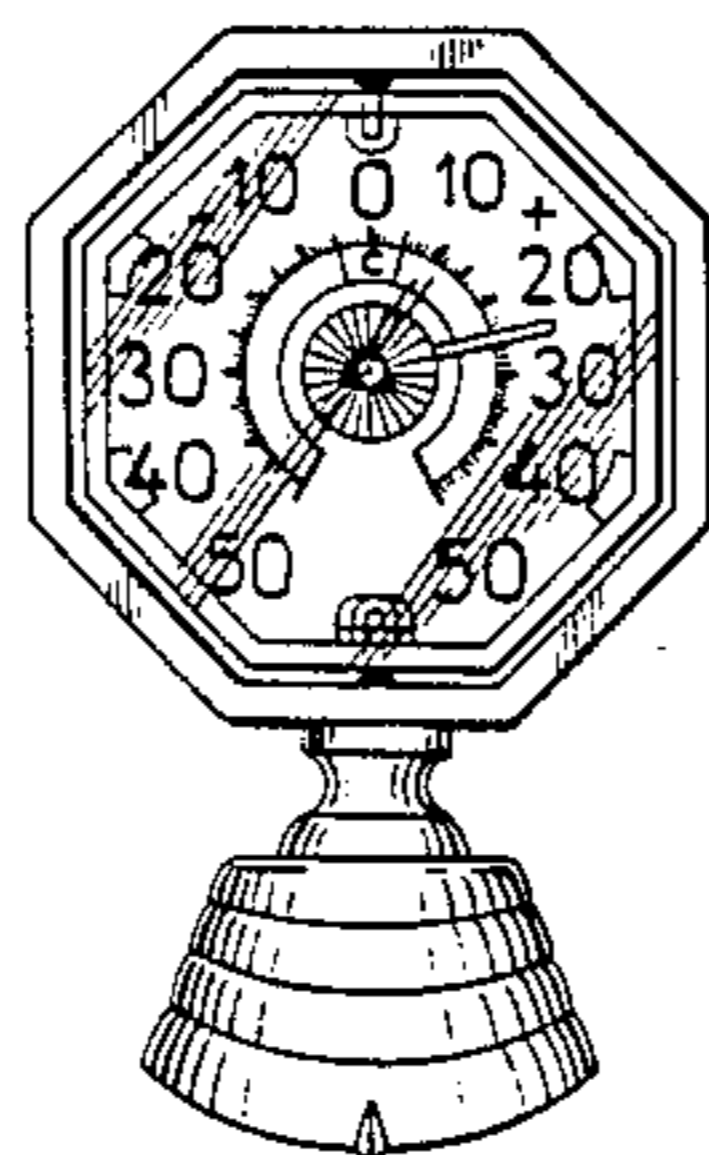


FIG. 1

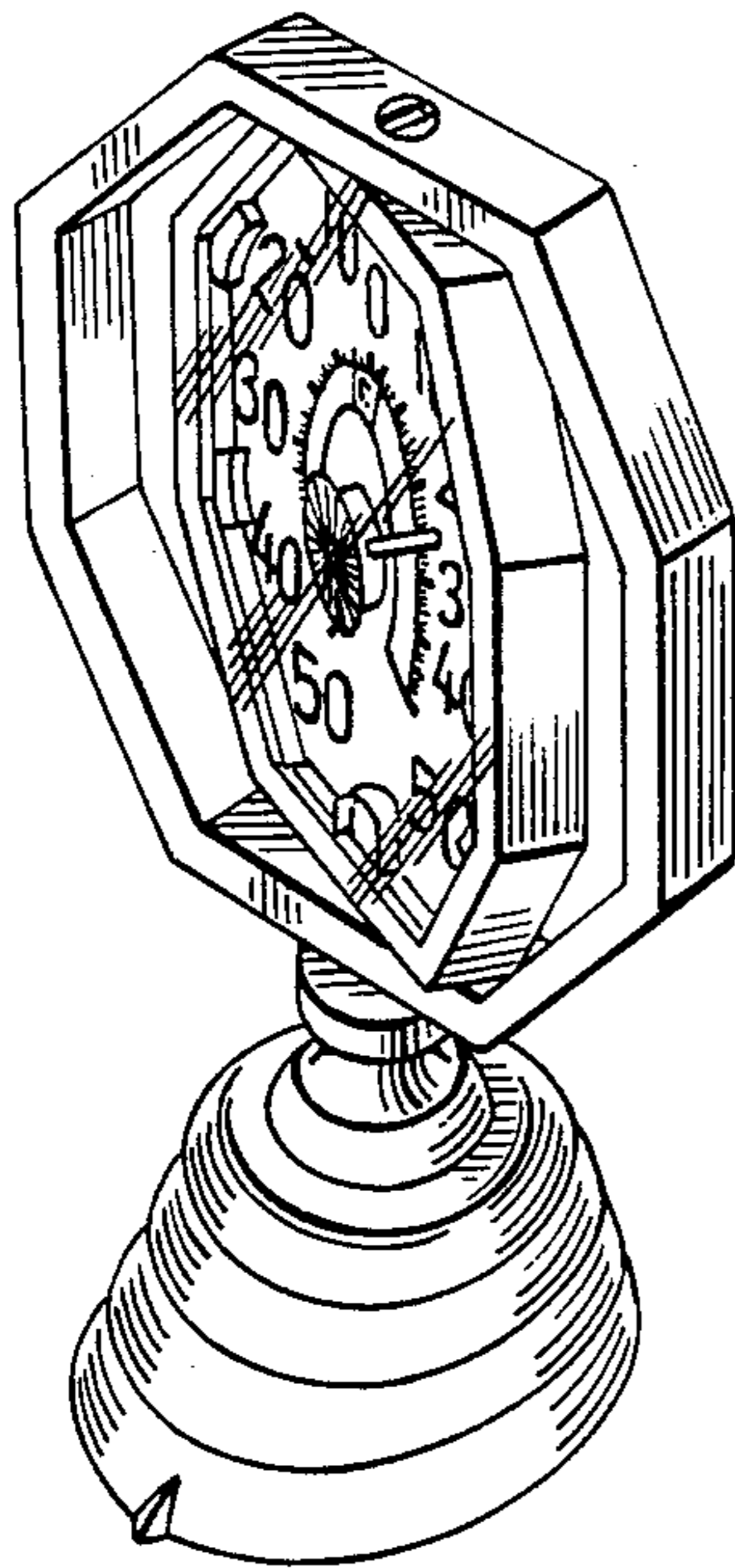


FIG. 2

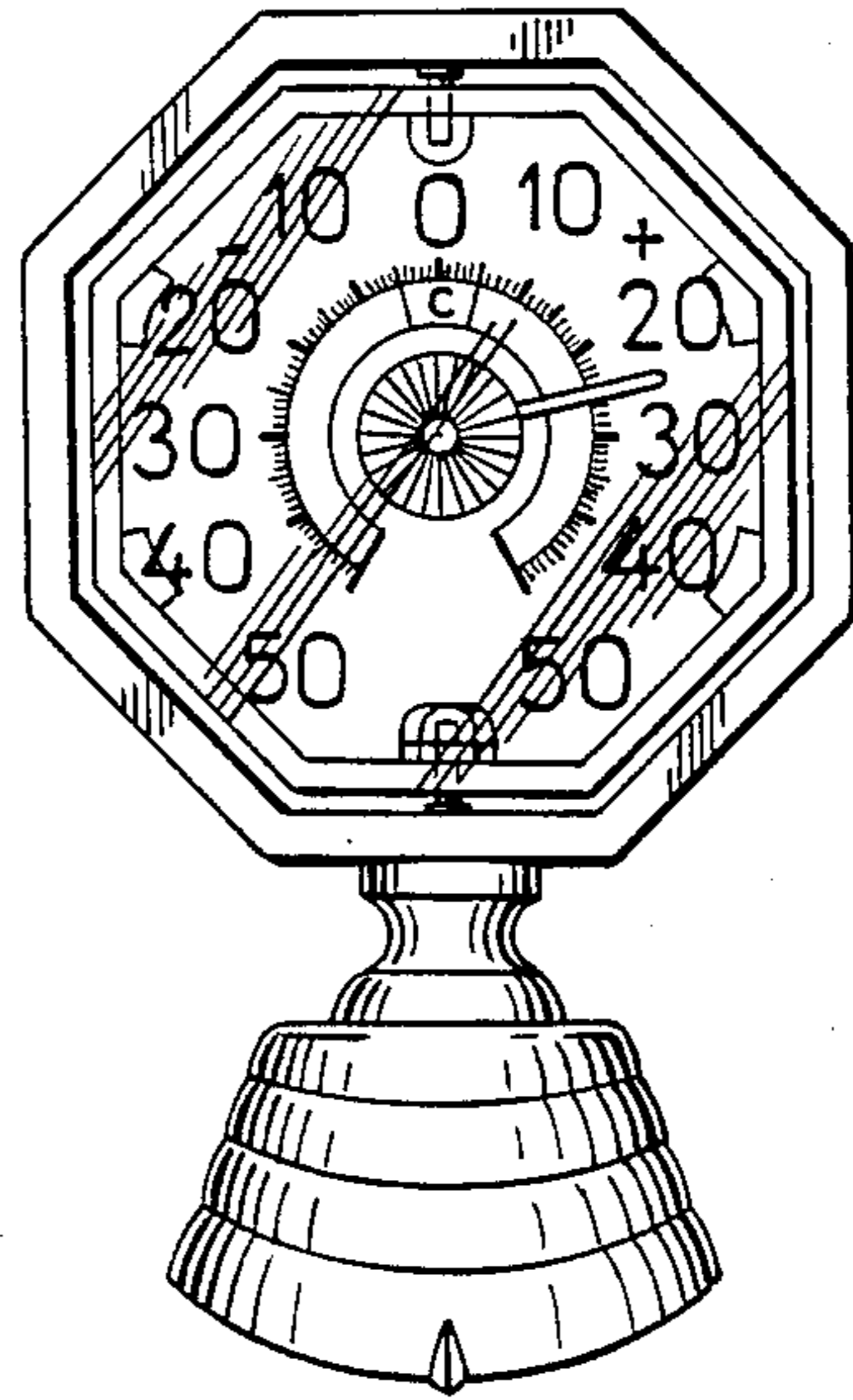


FIG. 4

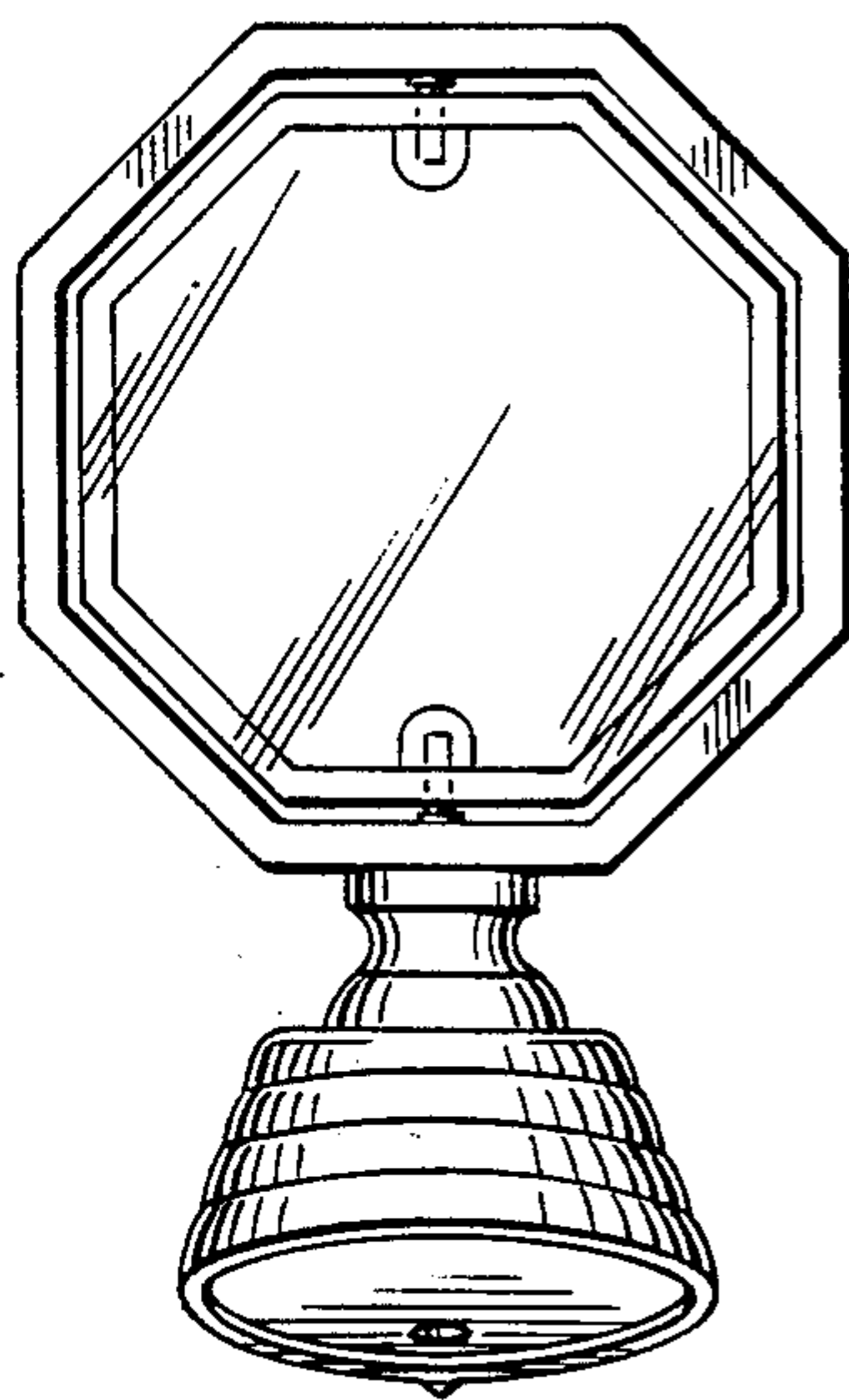


FIG. 5

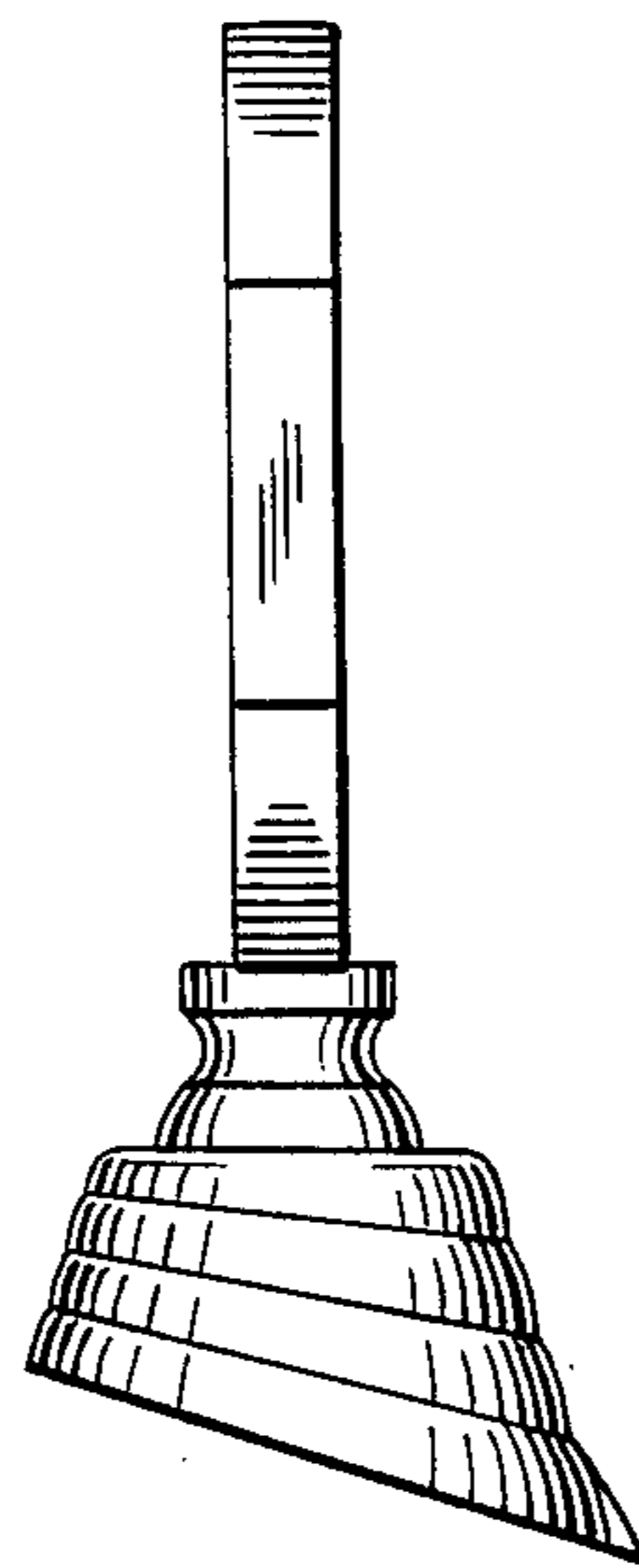


FIG. 3

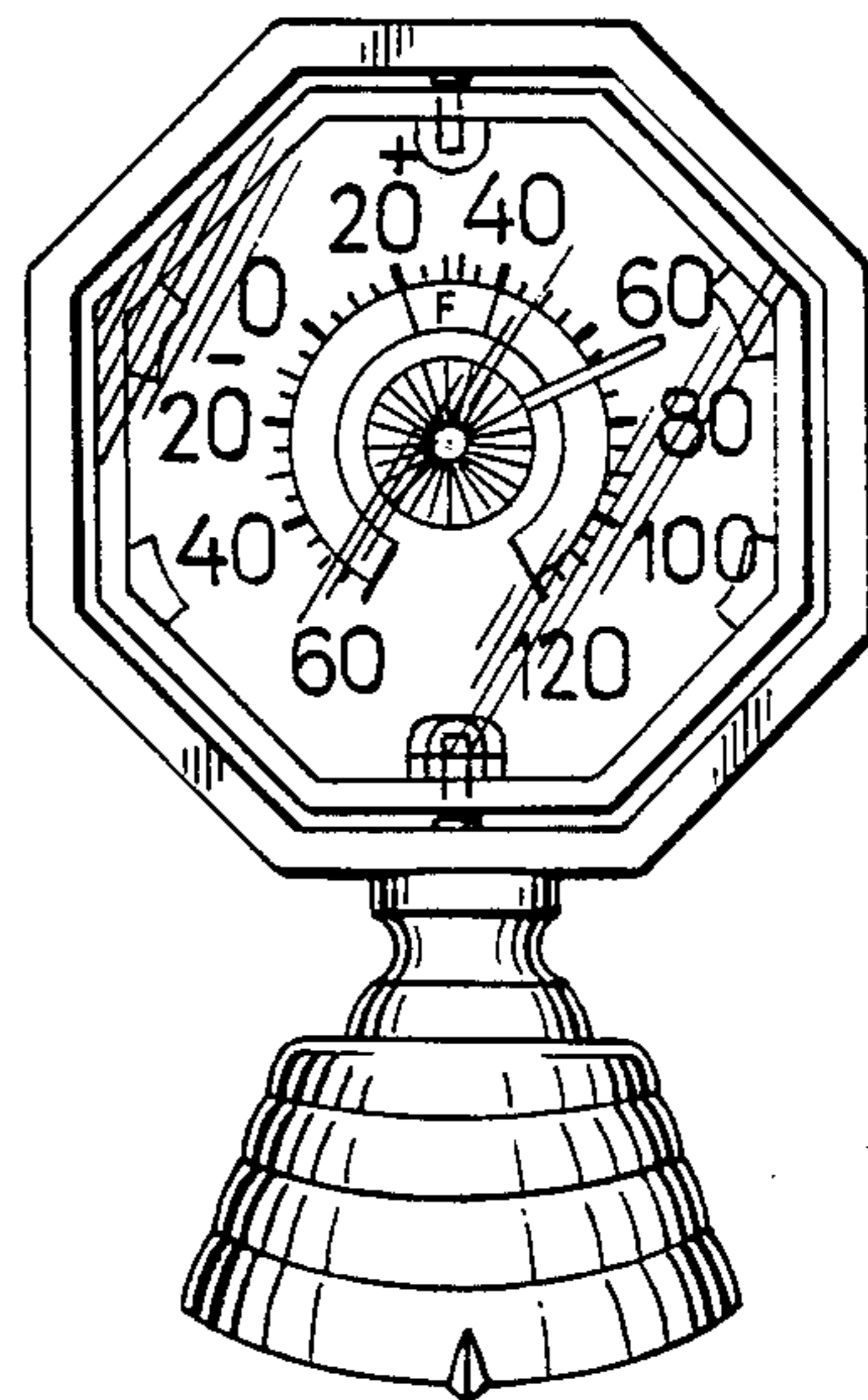


FIG. 6

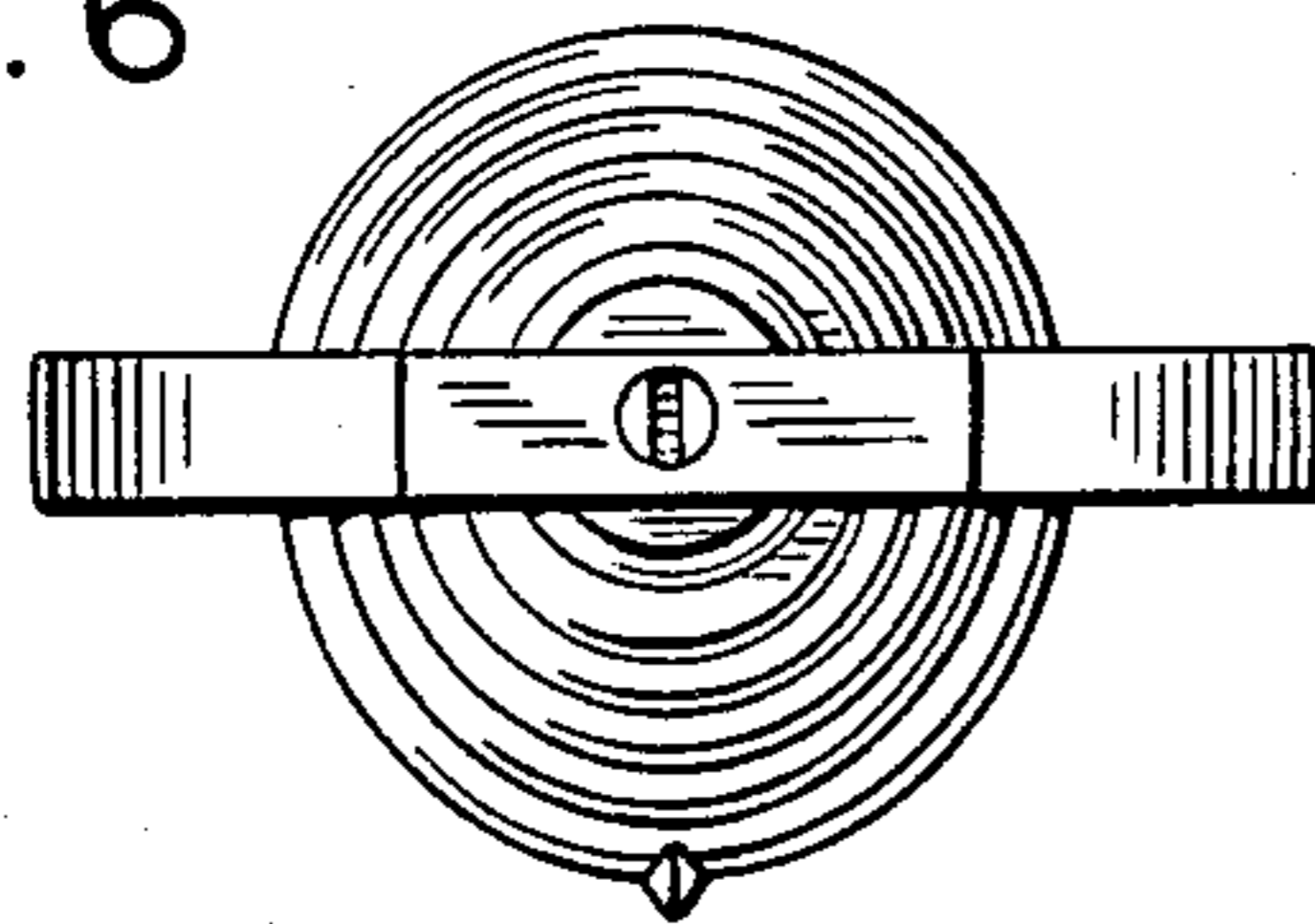


FIG. 7

