

[54] BOTTLE

[75] Inventor: Raymond L. Larson, Fargo, N. Dak.

[73] Assignee: BMR Investments, Inc., Fargo, N. Dak.

[\*\*] Term: 14 Years

[21] Appl. No.: 940,842

[22] Filed: Dec. 11, 1986

Related U.S. Application Data

[63] Continuation-in-part of Ser. No. 906,156, Sep. 11, 1986, Pat. No. D303496

[52] U.S. Cl. .... D9/370; D9/380; D9/400

[58] Field of Search ..... D9/367, 370, 376, 378, D9/380, 382, 383, 386, 389, 400, 401, 402, 403-413; 215/1 R, 1 C, 100 A

[56] References Cited

U.S. PATENT DOCUMENTS

- D. 20,830 6/1891 Heinz ..... D9/400
D.Re. 25,316 1/1963 Stenger et al. .
D. 80,709 3/1930 Teague ..... D9/400
D. 106,061 9/1937 Reeves .
D. 171,528 2/1954 Canter .
D. 185,880 8/1959 Baker ..... D9/383
D. 193,910 10/1962 Sterges .
D. 194,068 11/1962 Houghton .
D. 194,631 2/1963 Eicholtz .
D. 197,918 4/1964 Petitto .
D. 201,157 5/1965 Harlow .
D. 204,500 4/1966 Gould .
D. 209,929 1/1968 Plummer .
D. 214,973 8/1969 Amand .
D. 219,863 2/1971 Beaver .
D. 221,515 8/1971 Betka ..... D9/378
D. 227,654 1/1973 Byrne .
D. 233,134 10/1974 Sinding .
D. 235,310 6/1975 Betka .
D. 240,797 8/1976 Potect .
D. 243,121 1/1977 Ralston, Jr. et al. .
D. 244,427 5/1977 Schieser et al. .
D. 244,990 7/1977 Anderson .
D. 258,563 3/1981 Romagnoli .
D. 271,113 10/1983 Birkeland et al. .... D9/381 X
D. 275,734 10/1984 Voice .
D. 280,709 9/1985 Waring .

- D. 282,957 3/1986 Carlson .
D. 283,396 4/1986 Bouthillier .
D. 284,033 5/1986 Brodsky .
D. 288,293 2/1987 Arvans .
D. 288,783 3/1987 Harris ..... D9/400 X
D. 298,740 11/1988 Warrell ..... D9/349
2,635,604 4/1953 Fredrickson .
3,195,752 7/1965 Cox .
3,341,047 9/1967 Nauta .
3,717,277 2/1973 Stengle, Jr. .
4,391,308 7/1983 Steiner .
4,629,096 12/1986 Schroer et al. .
4,658,975 4/1987 Cone .

FOREIGN PATENT DOCUMENTS

- 1465560 12/1966 France .
110547 1/1965 Netherlands .

OTHER PUBLICATIONS

The Reid Valve Company, Inc. brochure—"Reid Sani-Seal-Ring".

Consumer Reports, Jan. 1987, pp. 42-48—"Water, Water Everywhere".

Primary Examiner—Melvin B. Feifer

Assistant Examiner—Lucy Lieberman

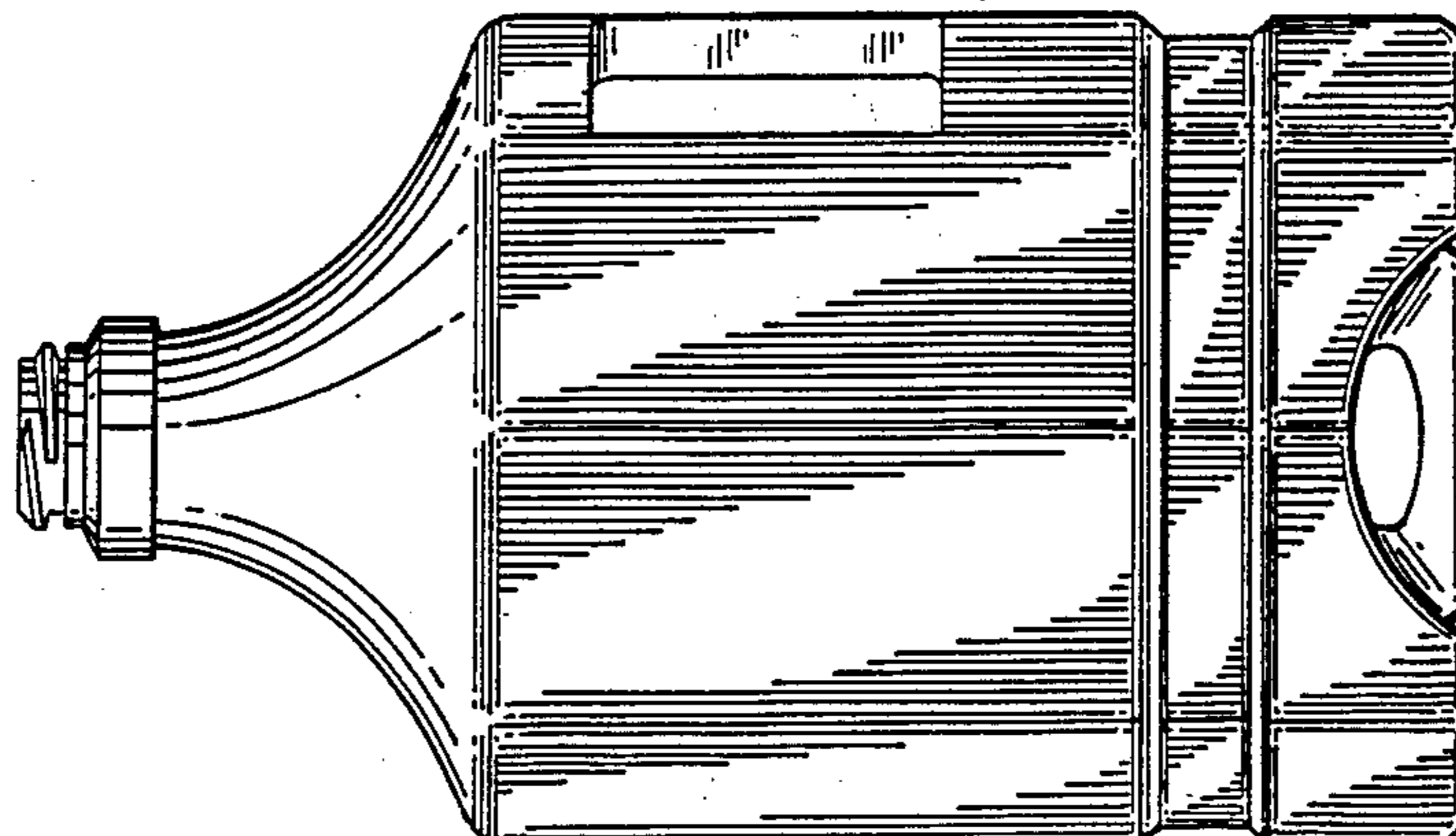
Attorney, Agent, or Firm—Burd, Bartz & Gutenkauf

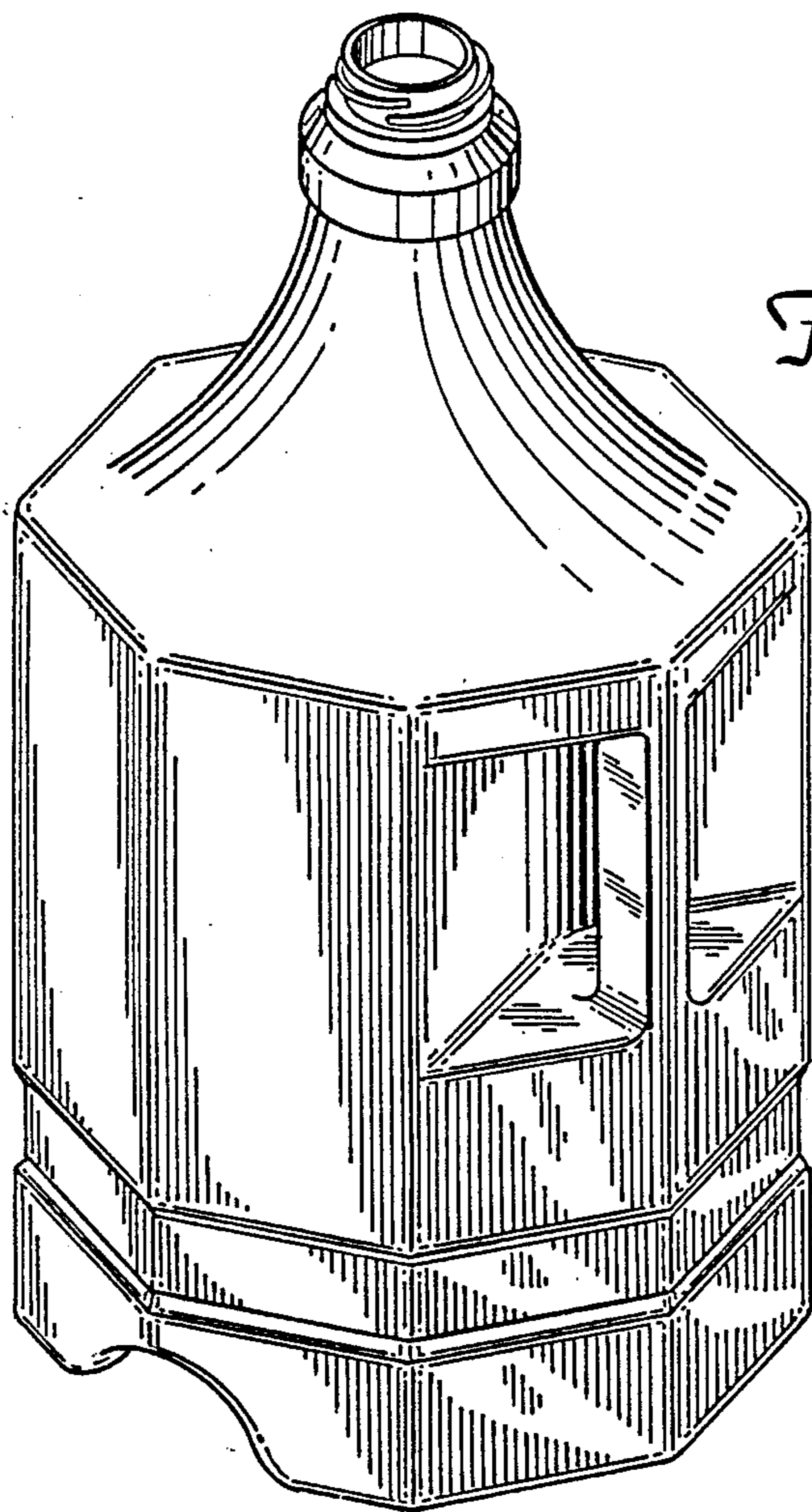
[57] CLAIM

The ornamental design for a bottle, as shown and described.

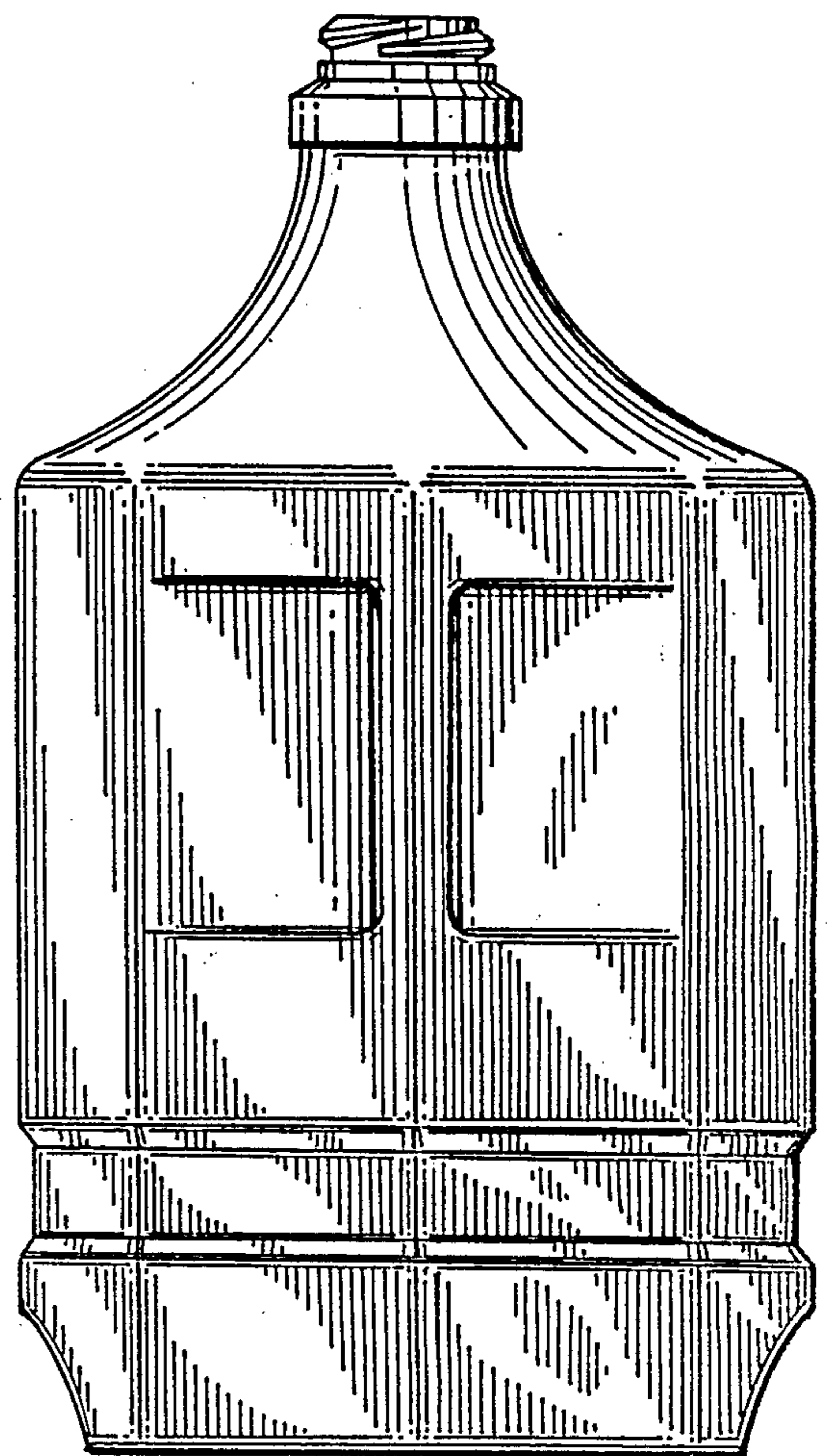
DESCRIPTION

FIG. 1 is a perspective view of a bottle showing my new design;
FIG. 2 is a front elevational view thereof;
FIG. 3 is a side elevational view thereof, the opposite side being a mirror image thereof;
FIG. 4 is a rear elevational view thereof;
FIG. 5 is a top view thereof;
FIG. 6 is a bottom view thereof;
FIG. 7 is a perspective view of a modification of the bottle of my new design;
FIG. 8 is a front elevational view of FIG. 7;
FIG. 9 is a side elevational view of FIG. 7, the opposite side being a mirror image thereof;
FIG. 10 is a top view of FIG. 7; and
FIG. 11 is a bottom view of FIG. 7.

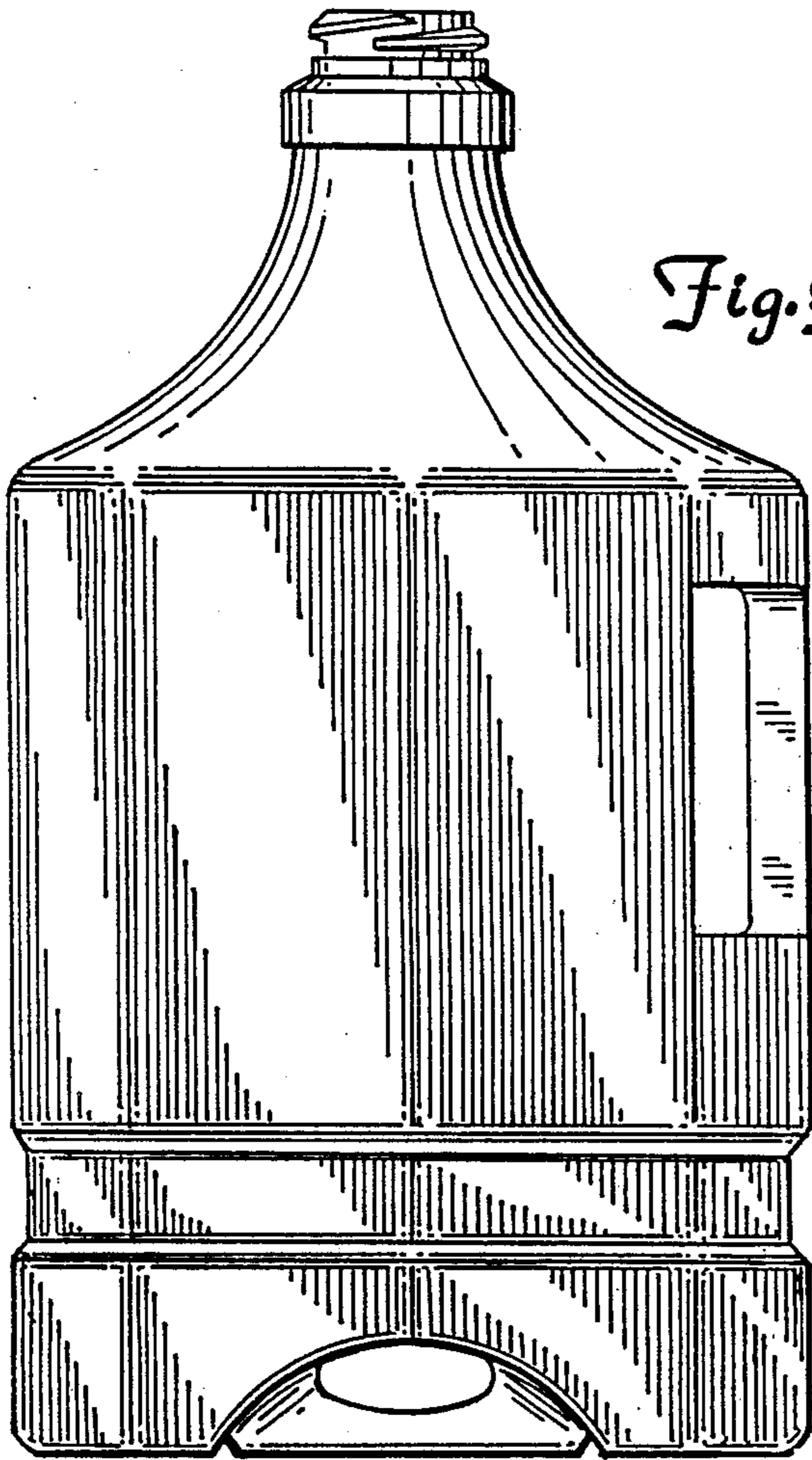




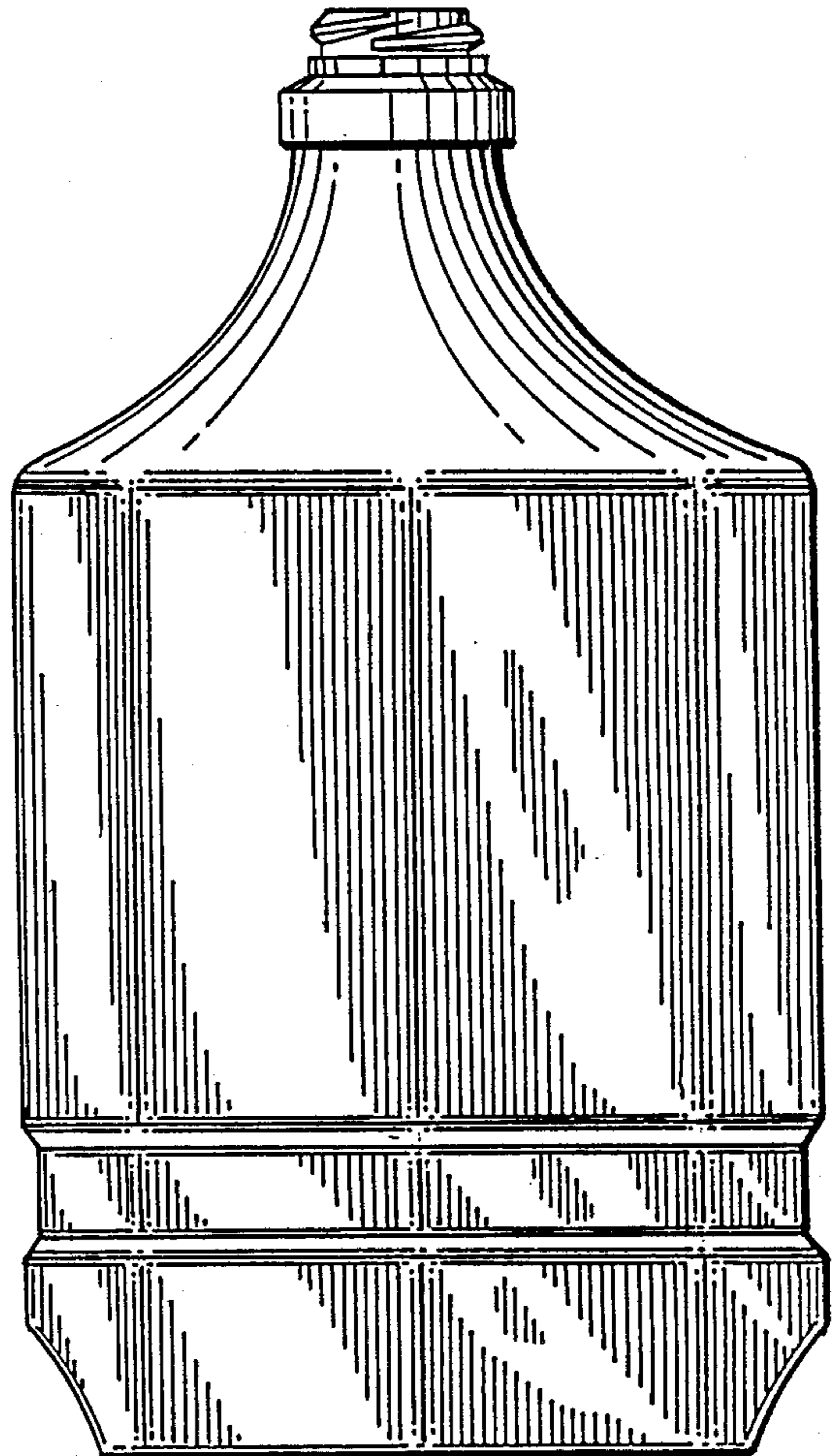
*Fig. 1*



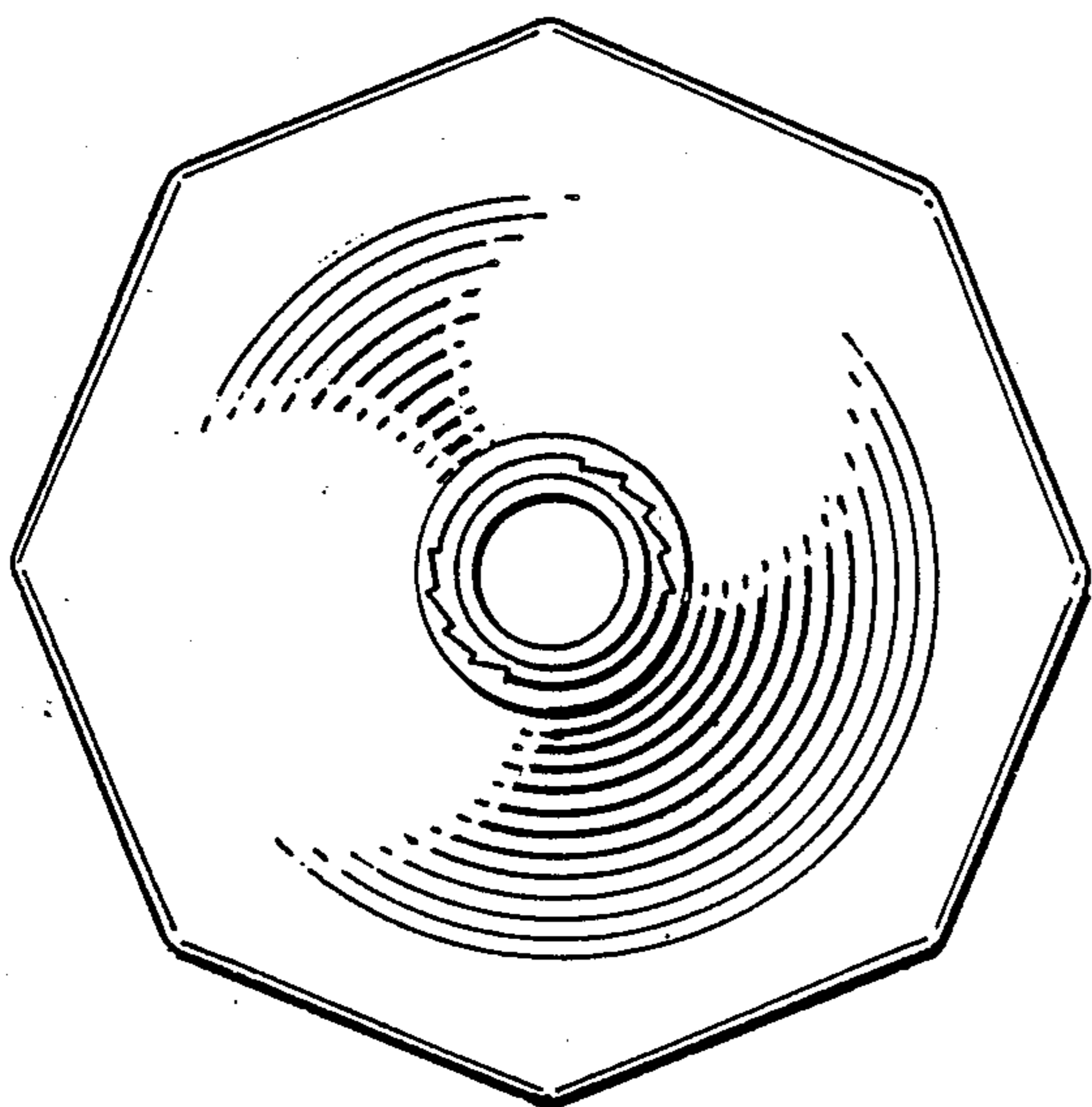
*Fig. 2*



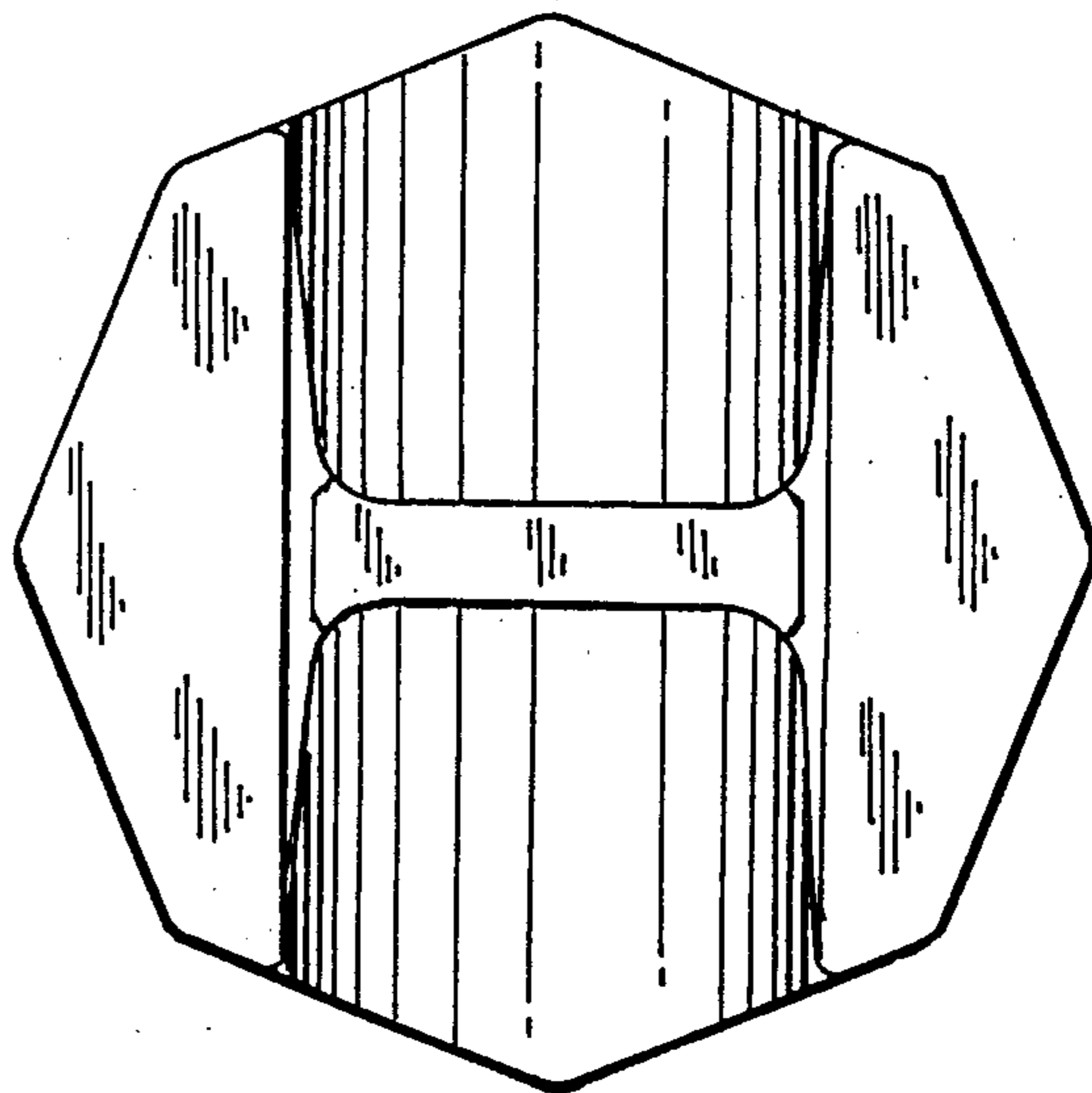
*Fig. 3*



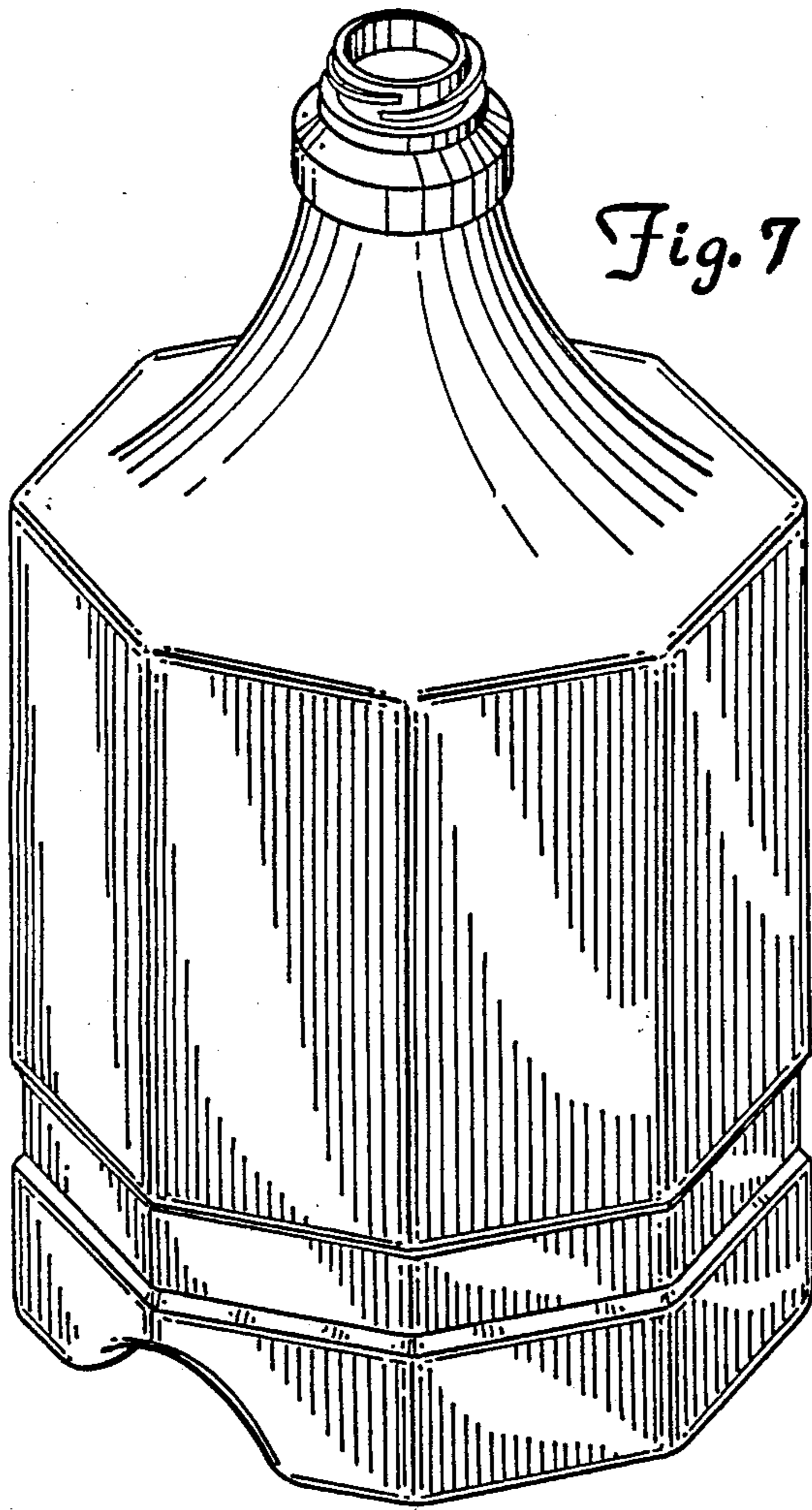
*Fig. 4*



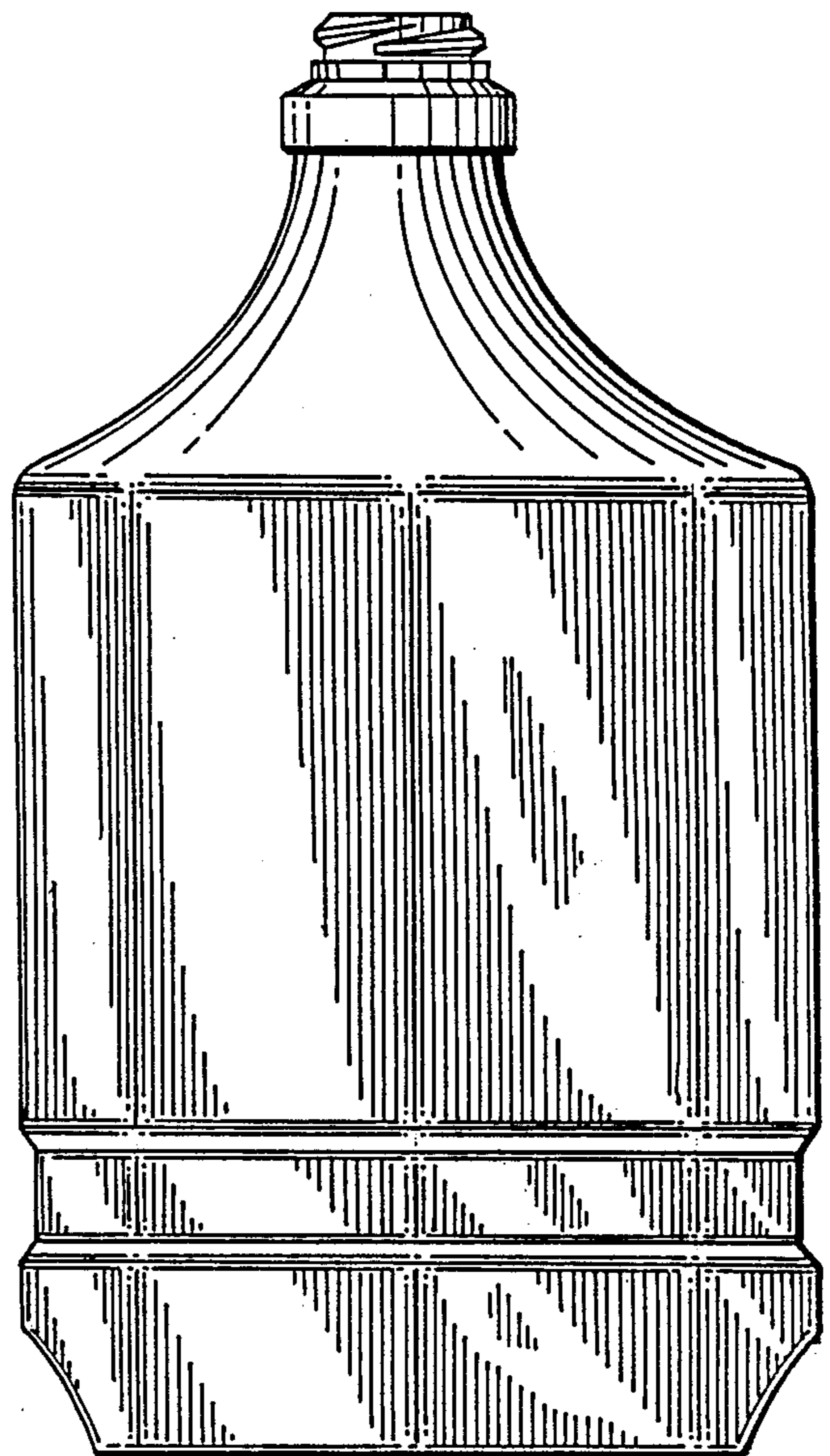
*Fig. 5*



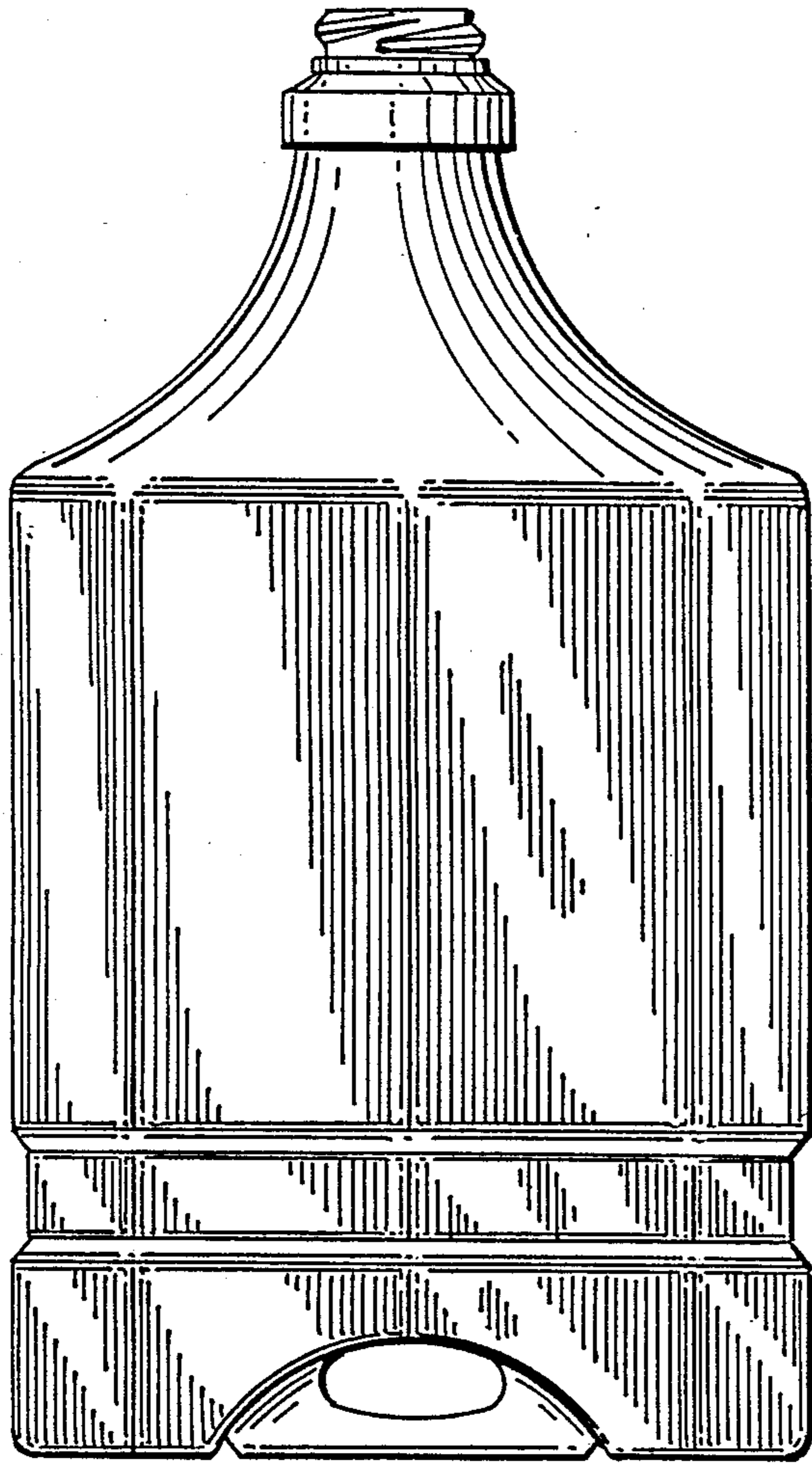
*Fig. 6*



*Fig. 7*

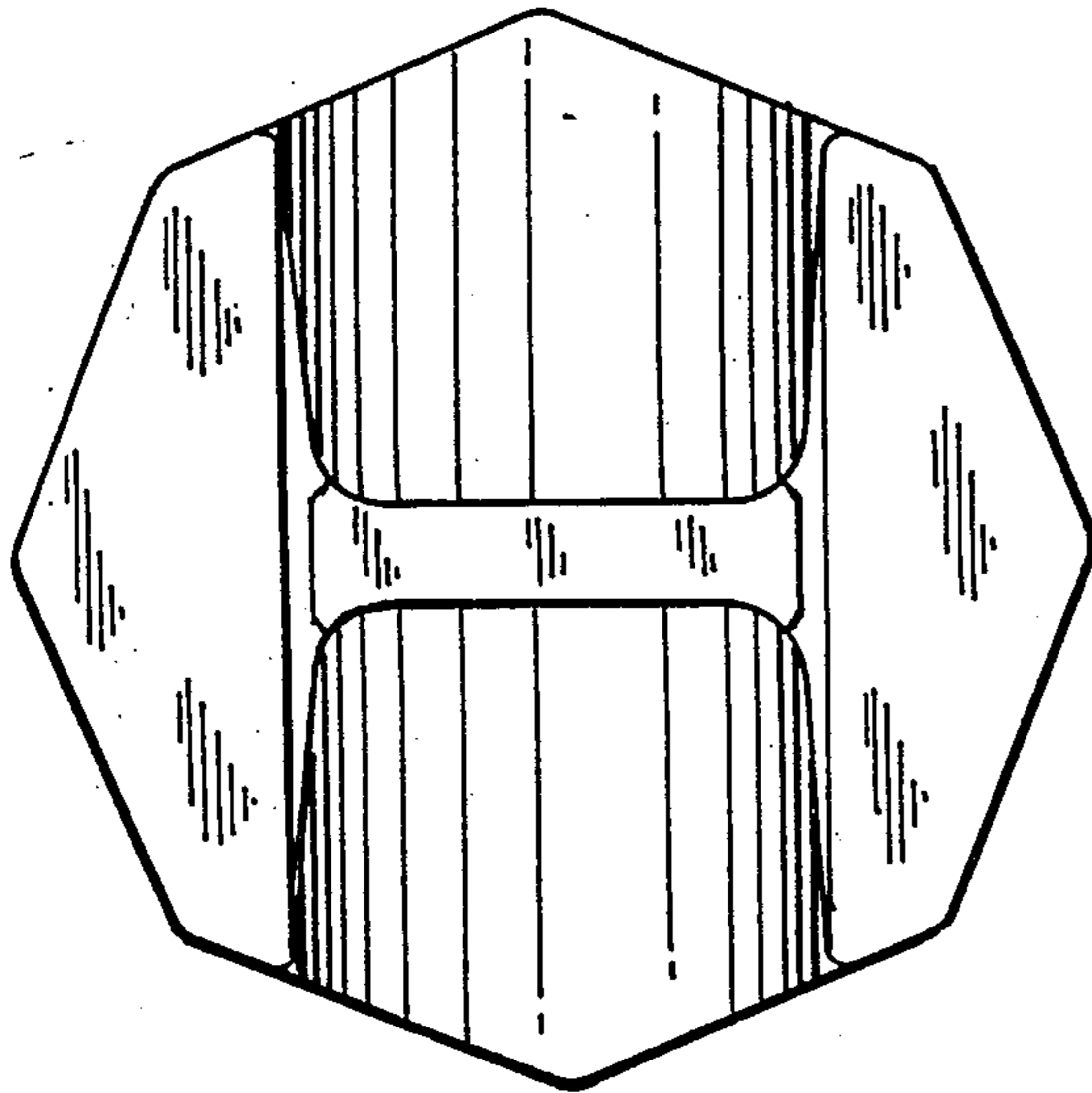
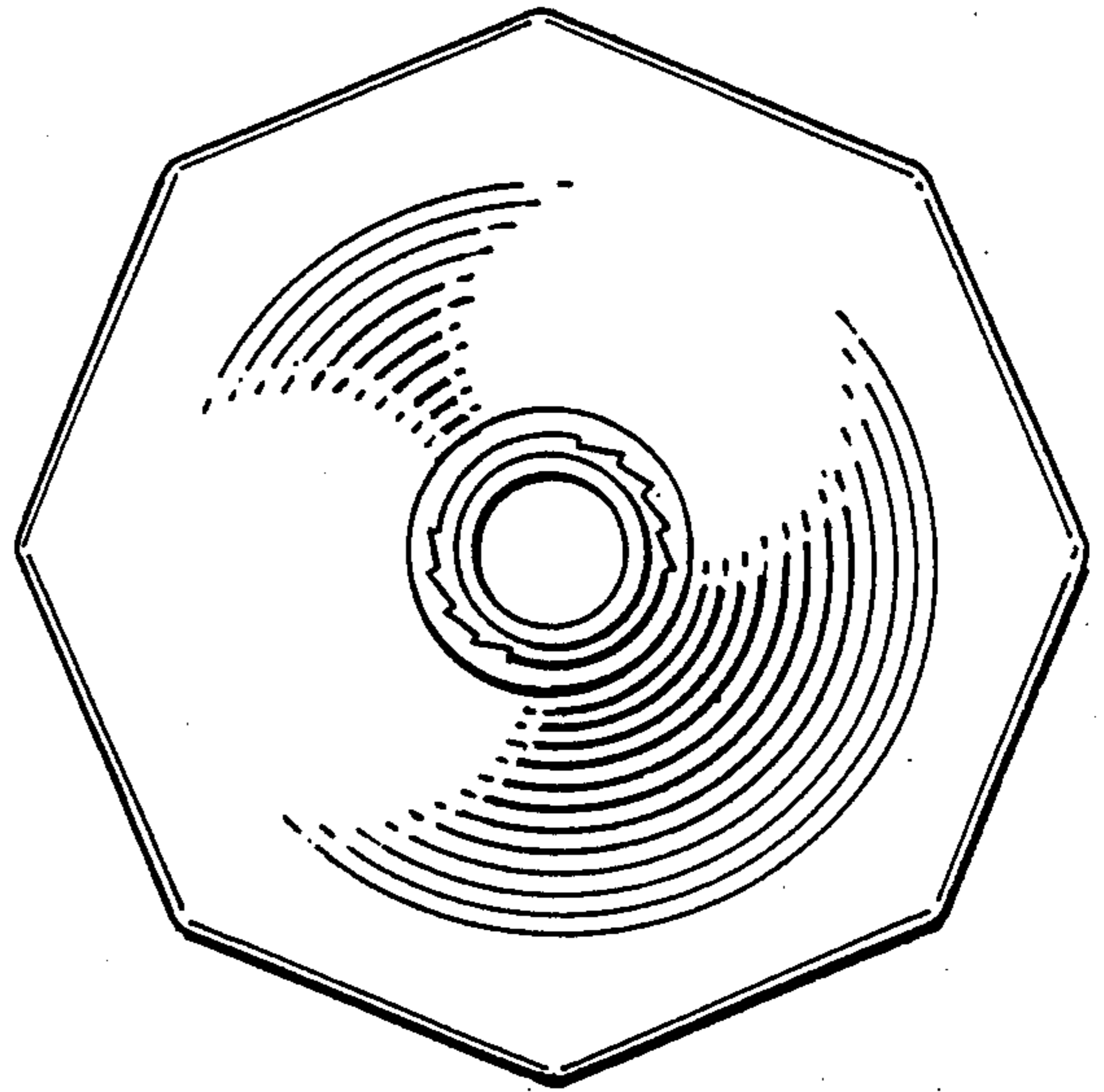


*Fig. 8*



*Fig. 9*

*Fig. 10*



*Fig. 11*