

# United States Patent [19]

Newell et al.

[11] Patent Number: **Des. 307,388**

[45] Date of Patent: **\*\* Apr. 24, 1990**

[54] **CONTAINER**

[75] Inventors: **Robert E. Newell, Pinner; Paul K. Rand, Hitchin, both of England**

[73] Assignee: **Glaxo Group Limited, London, England**

[\*\*] Term: **14 Years**

[21] Appl. No.: **16,322**

[22] Filed: **Feb. 19, 1987**

[30] **Foreign Application Priority Data**

Aug. 29, 1986 [GB] United Kingdom ..... 1036397

[52] U.S. Cl. .... **D9/345**

[58] Field of Search ..... D9/414, 418, 420, 423, D9/424, 428, 433, 443; 206/63.5, 207, 531, 469, 532, 538, 368, 83; 312/209; 378/168; D24/10

[56] **References Cited**

**U.S. PATENT DOCUMENTS**

D. 4,423 10/1870 Kilburn ..... D9/432 X

D. 98,010 12/1935 Lean ..... D9/425

D. 227,744 7/1973 Mitchko ..... D9/423 X  
D. 257,790 1/1981 Kesling ..... D9/424 X  
D. 286,137 10/1986 Huck et al. .... D9/341 X  
2,102,643 12/1937 Pellegrini ..... 206/83  
2,196,566 4/1940 Sabattis ..... 206/83  
4,775,318 10/1988 Breslin ..... 206/635 X

*Primary Examiner*—Charles A. Rademaker

*Assistant Examiner*—Prabhakar Deshmukh

*Attorney, Agent, or Firm*—Darby & Darby

[57] **CLAIM**

The ornamental design for a container, as shown and described.

**DESCRIPTION**

FIG. 1 is a perspective view of a container showing our new design;

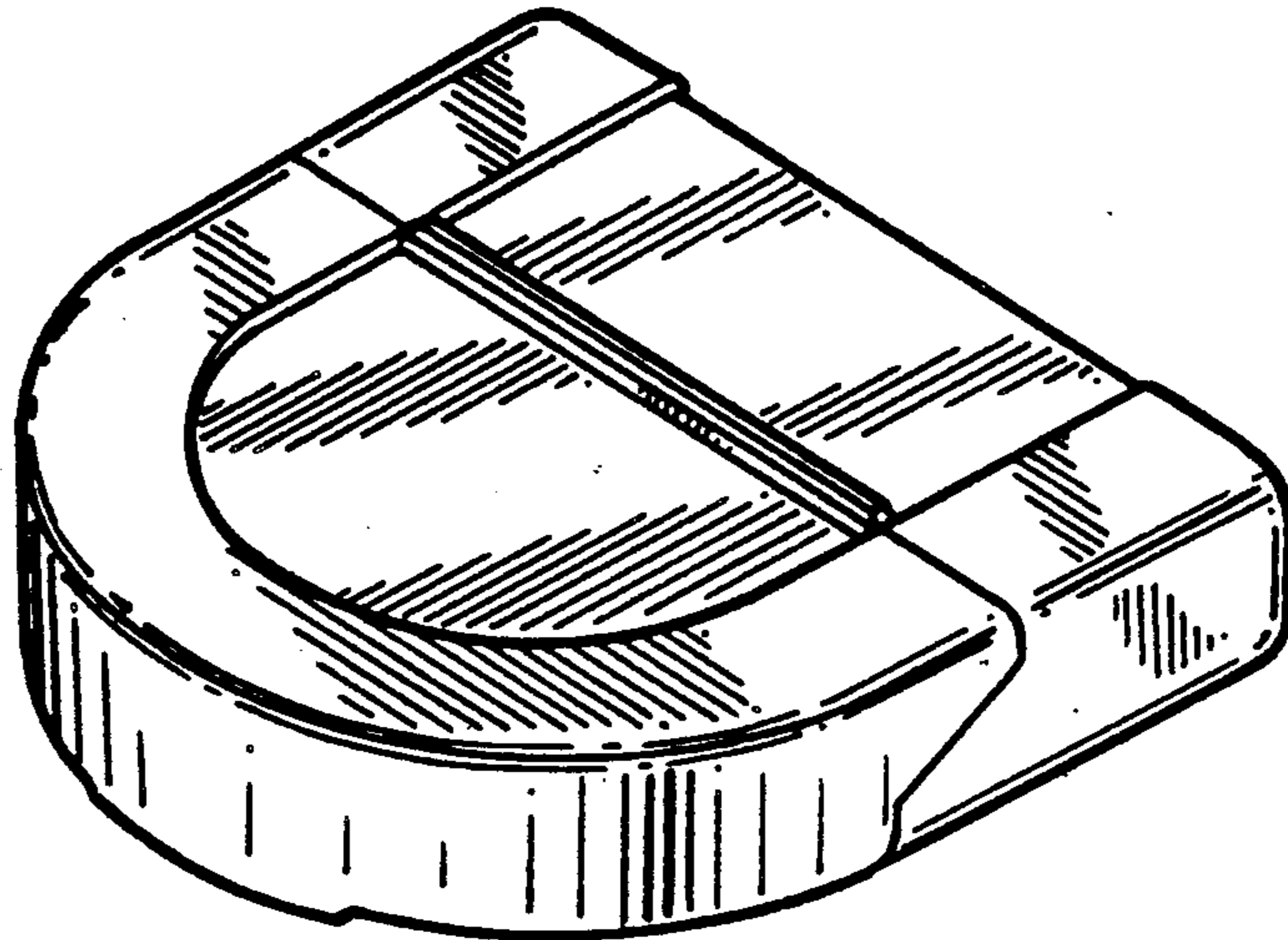
FIG. 2 is a left side elevation view thereof, the right side elevation view being a mirror image;

FIG. 3 is a bottom plan view thereof;

FIG. 4 is a front elevation view thereof;

FIG. 5 is a top plan view thereof;

FIG. 6 is a rear elevation view thereof.



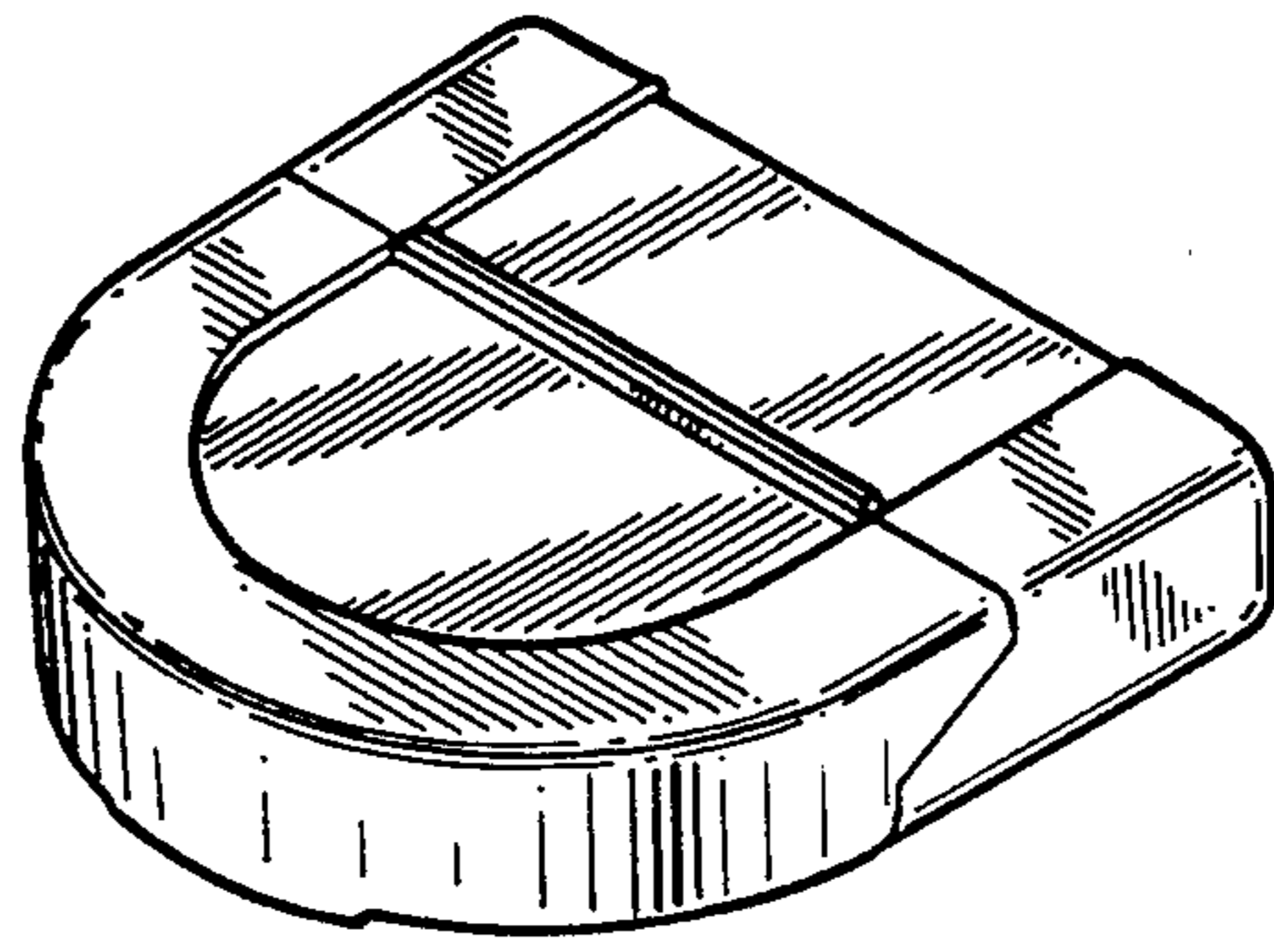


Fig. 1

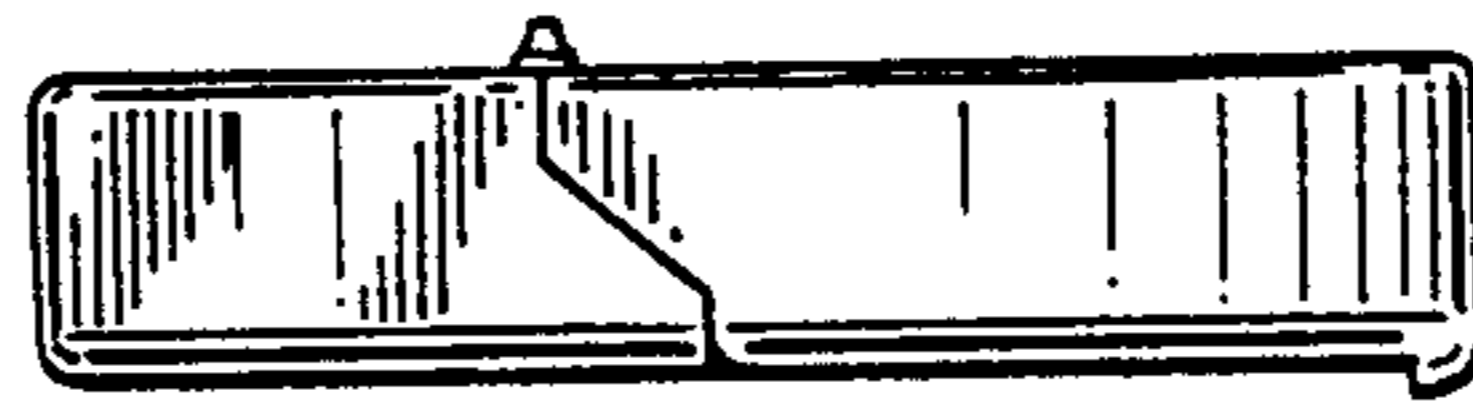


Fig. 2

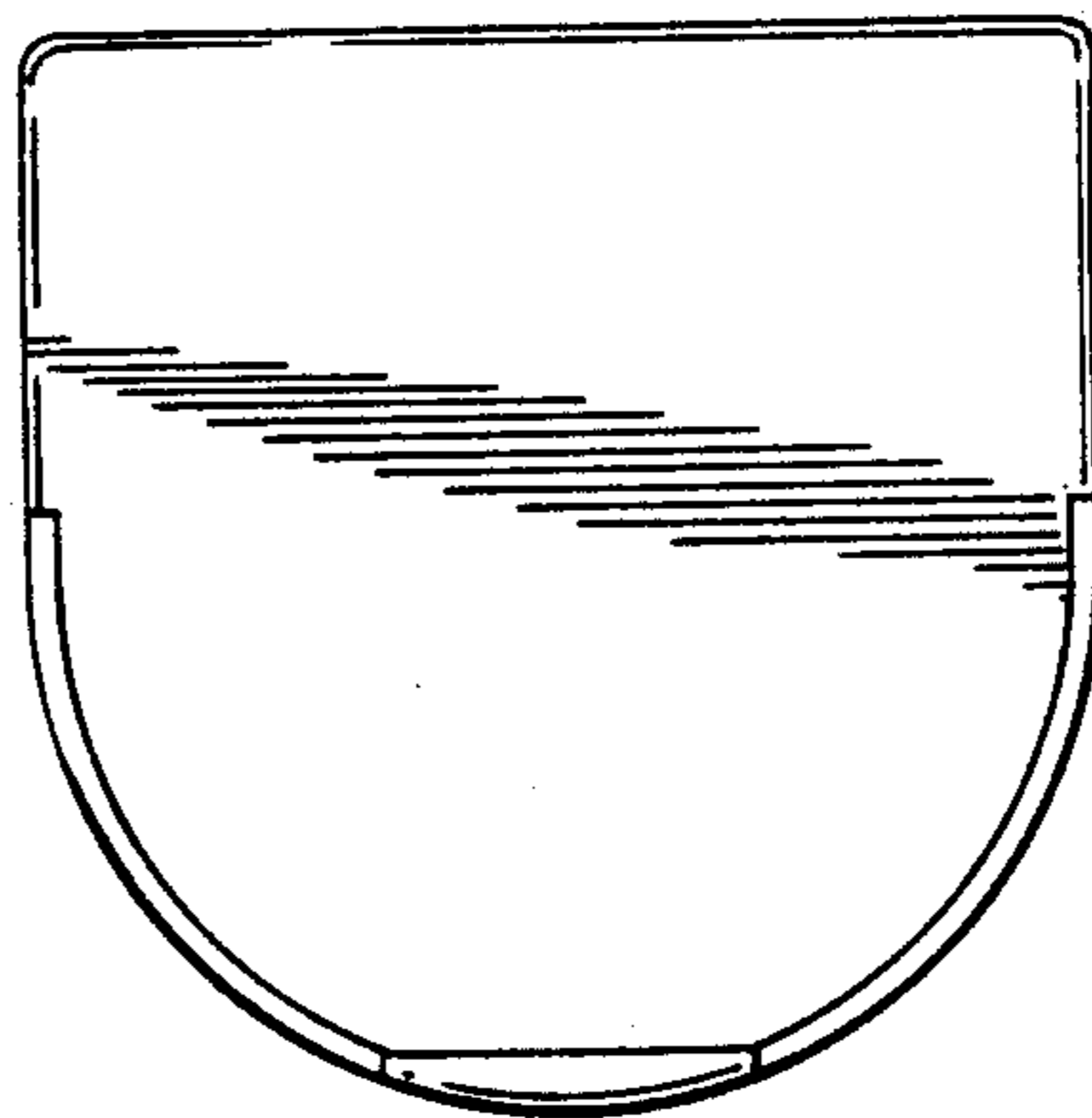


Fig. 3

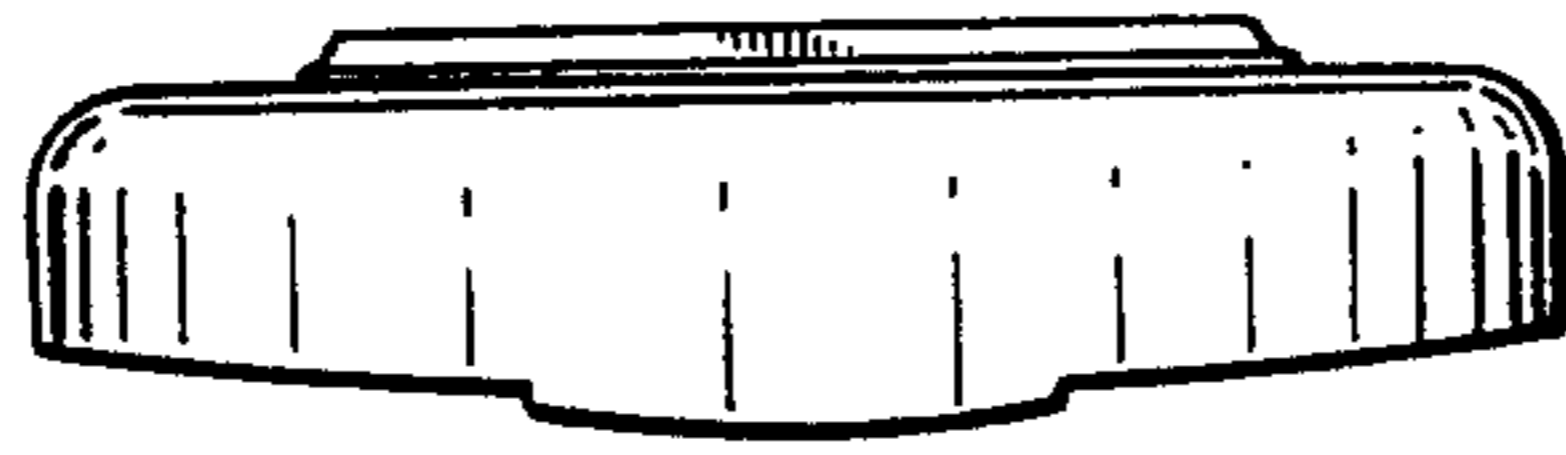


Fig. 4

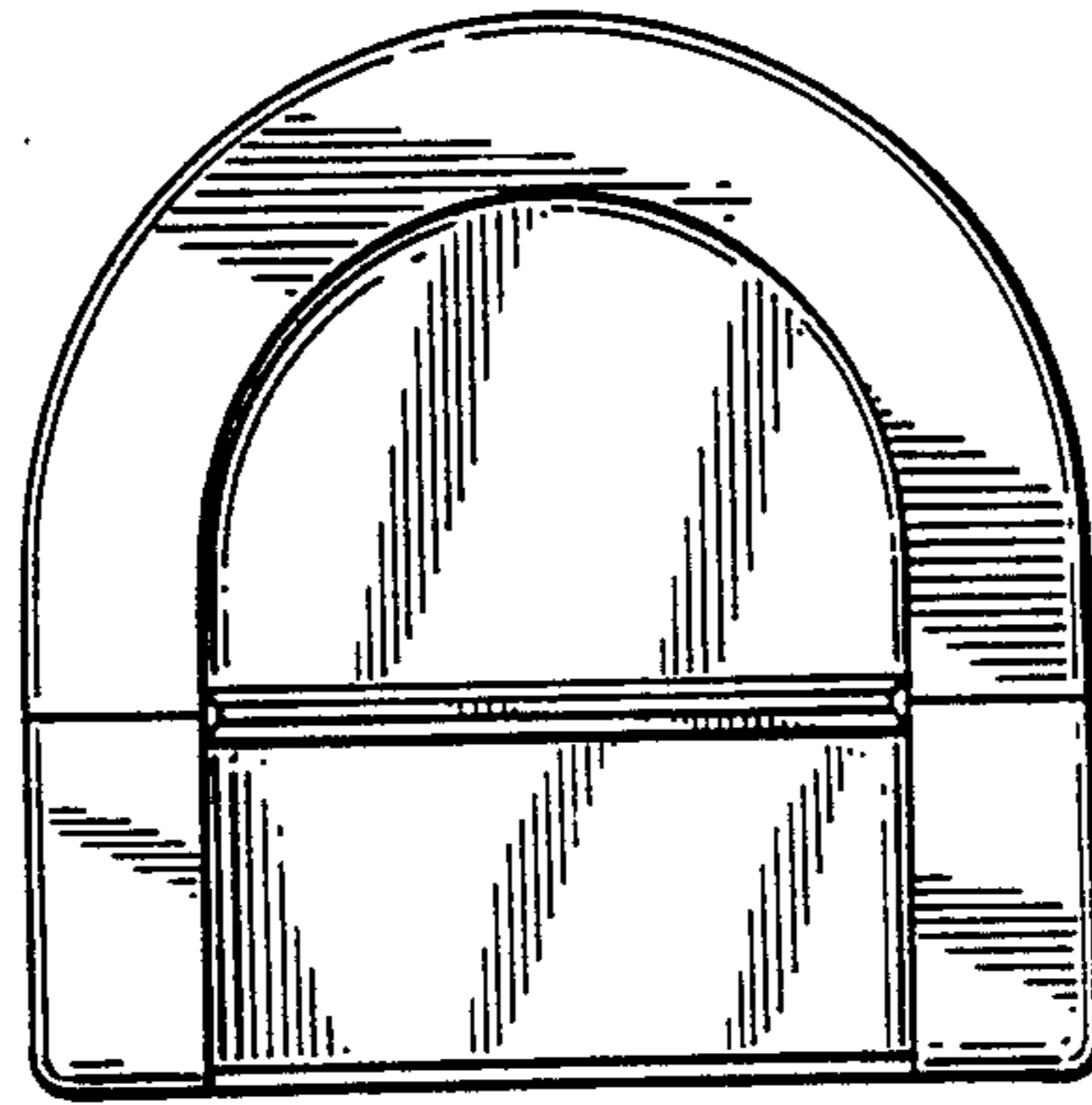


Fig. 5

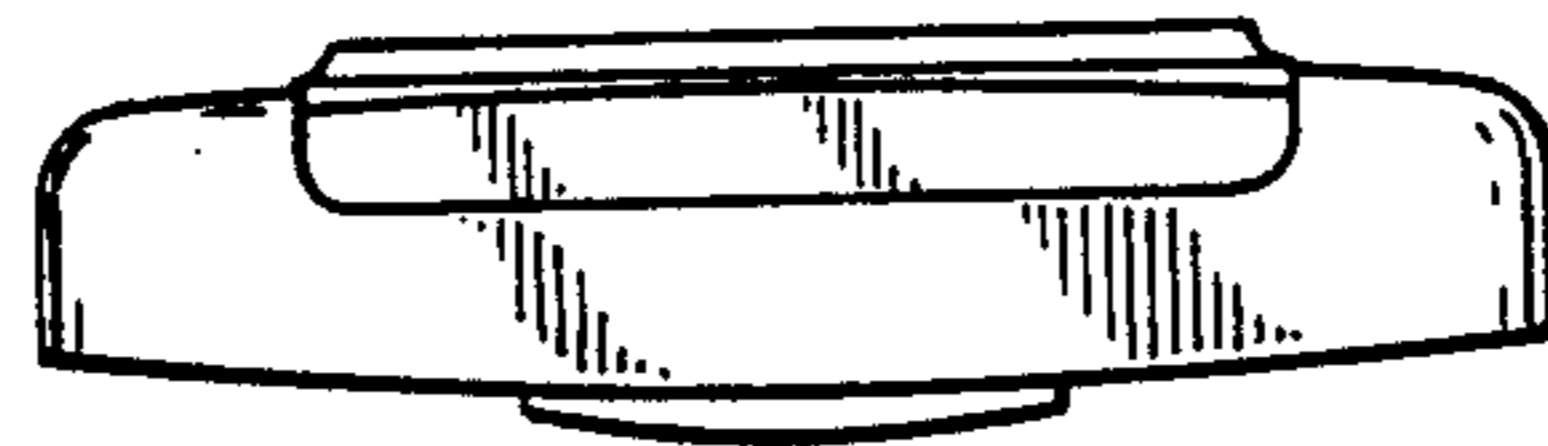


Fig. 6