

[54] DRY WALL CUTTER

[76] Inventors: **Hugh J. Kirkpatrick**, 505 May Dr., Madison, Tenn. 37115; **Thomas J. Lee**; **James M. Lee**, both of 403 Goldie Ct., Goodlettsville, Tenn. 37072

[\*\*] Term: 14 Years.

[21] Appl. No.: 191,481

[22] Filed: May 9, 1988

[52] U.S. Cl. .... D8/95; D8/98

[58] Field of Search ..... D8/20, 95-100, D8/107; 30/166.3, 506, 507, 509, 513-521, 294, 280

[56] **References Cited**

**U.S. PATENT DOCUMENTS**

- D. 207,247 3/1967 Reuterfors ..... D8/97
- 877,169 1/1908 Brockelhurst ..... 30/520

- 2,693,641 11/1954 Omoto ..... 30/294
- 2,827,086 3/1958 Minor ..... 30/517
- 4,411,068 10/1983 Theodorides ..... 30/166.3
- 4,592,145 6/1986 Egan et al. .... 30/507

*Primary Examiner*—Nelson C. Holtje  
*Assistant Examiner*—Clare E. Heflin  
*Attorney, Agent, or Firm*—Mason, Fenwick & Lawrence

[57] **CLAIM**

The ornamental design for a dry wall cutter, as shown and described.

**DESCRIPTION**

- FIG. 1 is a perspective view of a dry wall cutter, showing our new design;
- FIG. 2 is a top plan view thereof;
- FIG. 3 is a side elevational view thereof;
- FIG. 4 is a bottom plan view thereof;
- FIG. 5 is an opposite side elevational view thereof;
- FIG. 6 is an end elevational view thereof;
- FIG. 7 is an opposite end elevational view thereof.

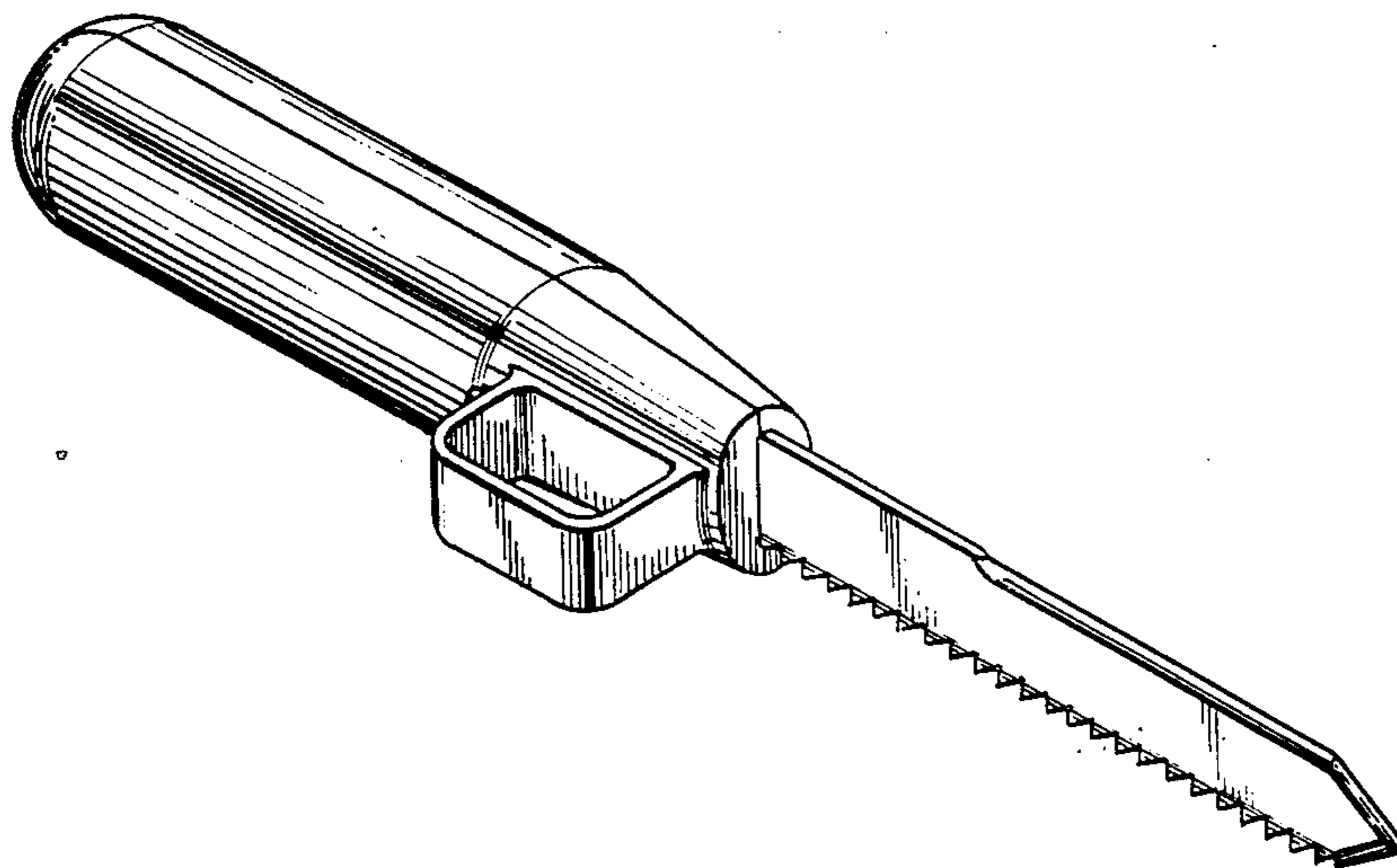


FIG-1

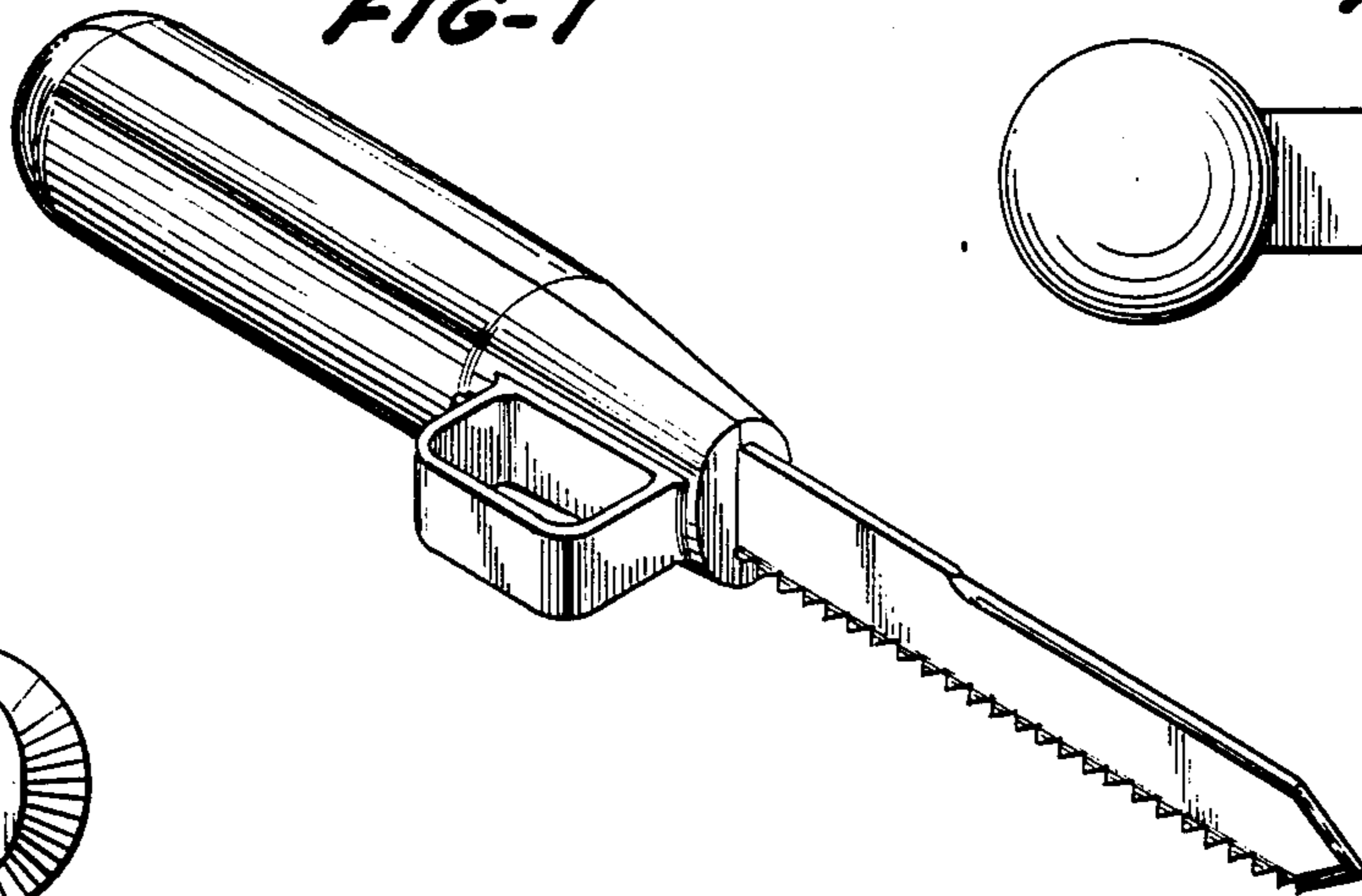


FIG-7

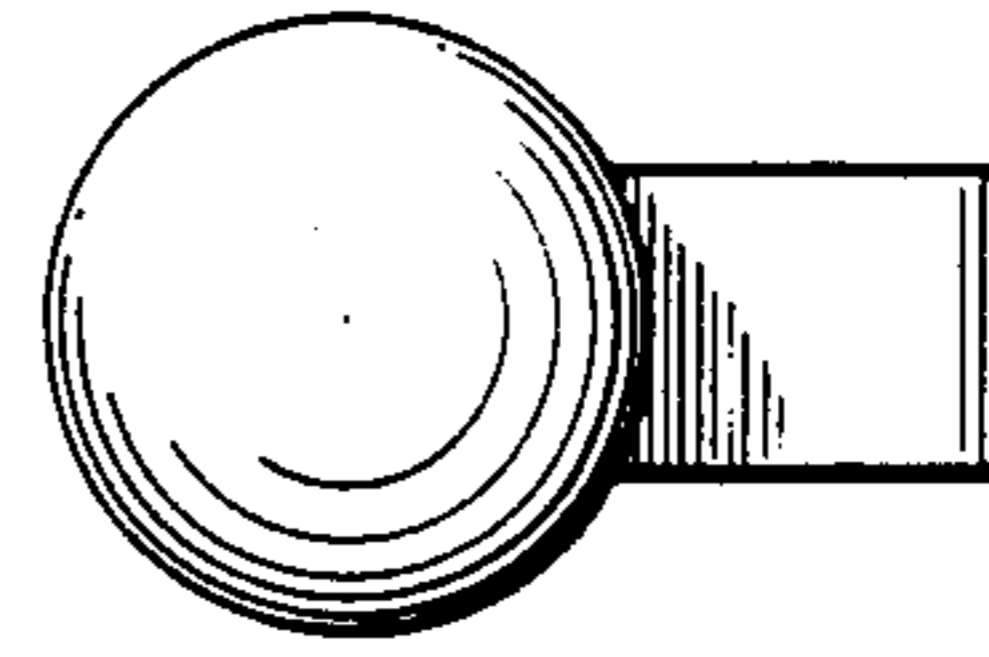


FIG-6

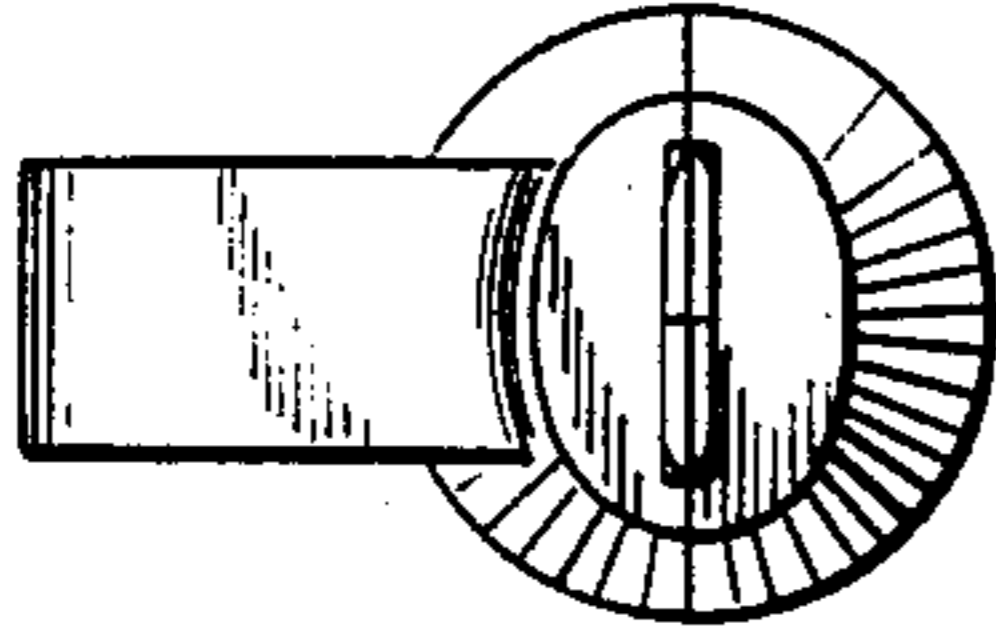


FIG-2

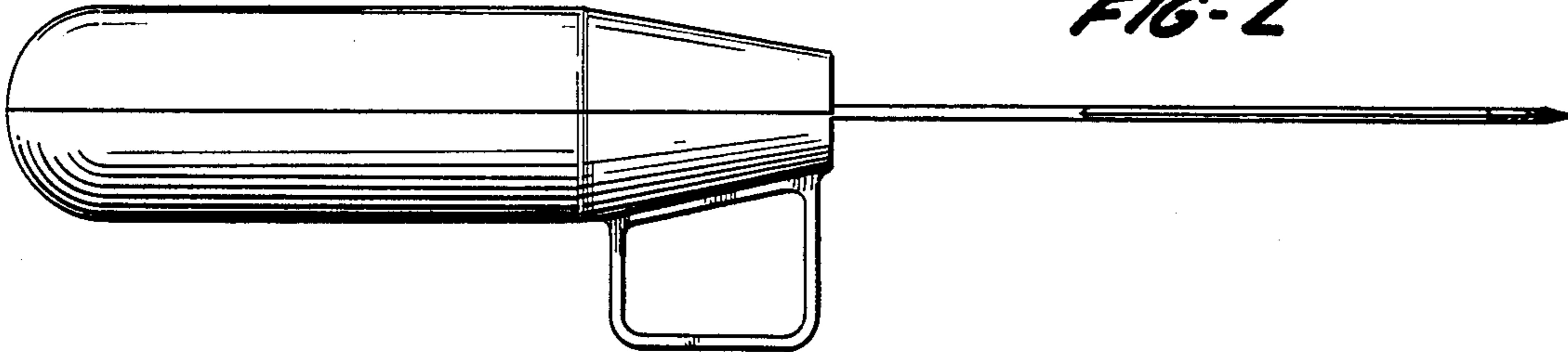


FIG-3

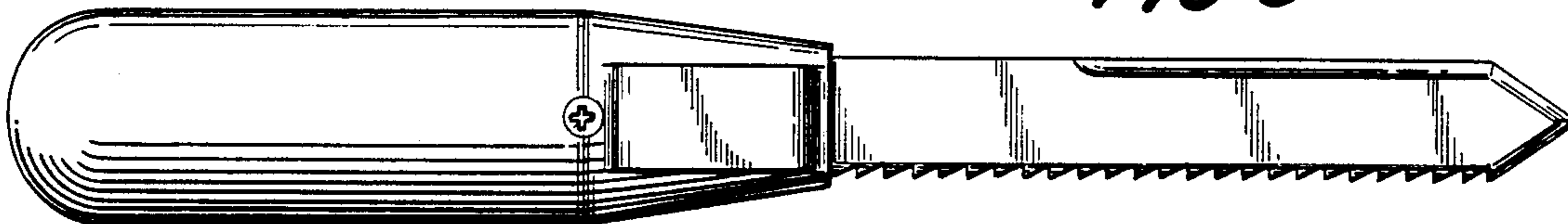


FIG-4

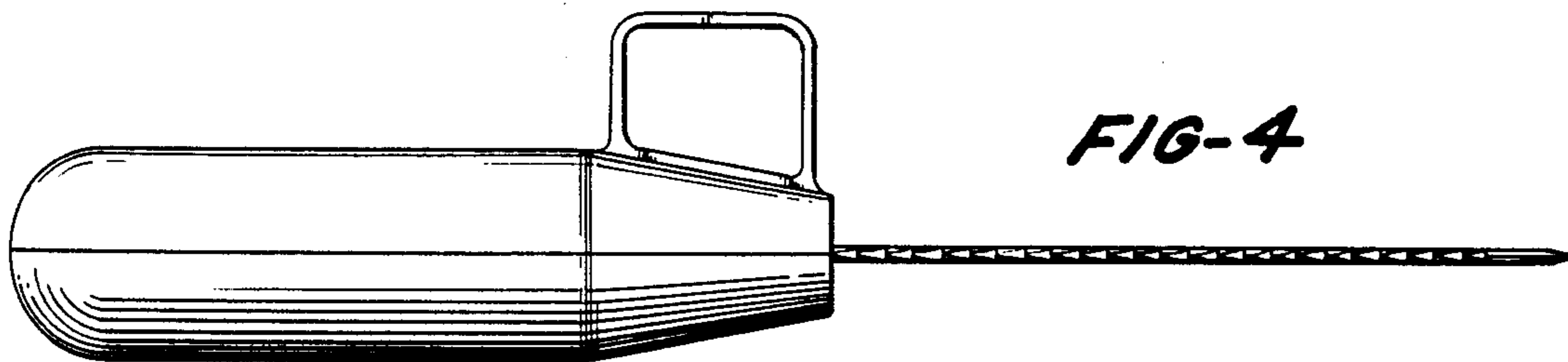


FIG-5

