

[54] SNOW PLOW

[76] Inventor: Sandy R. D'Alessandro, 540 Powers Way, Girard, Ohio 44420

[\*\*] Term: 14 Years

[21] Appl. No.: 124,119

[22] Filed: Nov. 13, 1987

[52] U.S. Cl. .... D8/10

[58] Field of Search ..... D8/1, 10; 294/51, 53.5, 294/54.5, 55; 37/266, 270, 129-131

2,896,993 7/1959 Pollock ..... 294/54.5  
3,063,174 11/1962 Ludin ..... 37/130

Primary Examiner—James M. Gandy  
Assistant Examiner—Brian N. Vinson  
Attorney, Agent, or Firm—Harpman & Harpman

[57] CLAIM

The ornamental design for a snow plow, as shown and described.

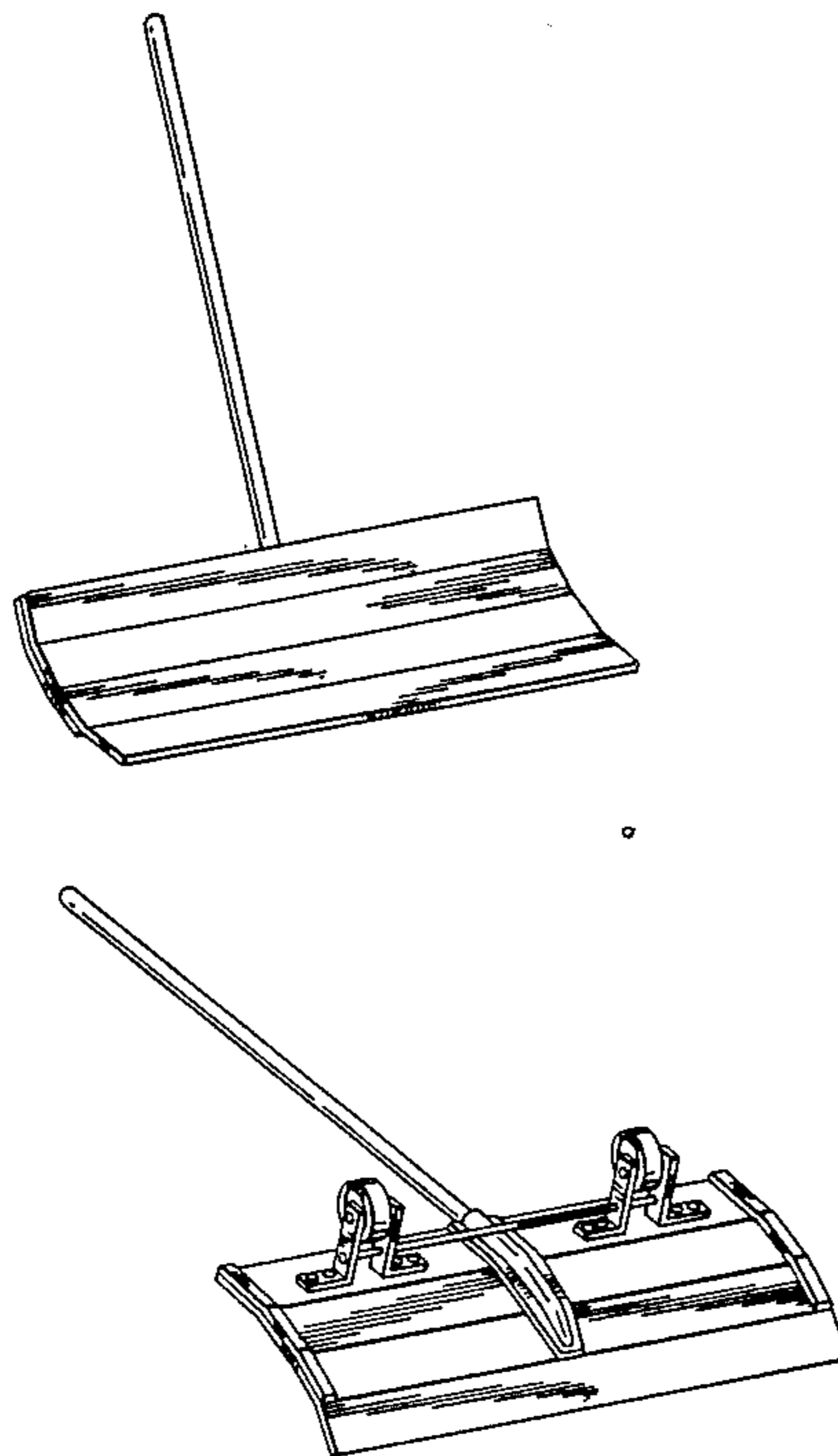
DESCRIPTION

FIG. 1 is a top, front and left side perspective view of a snow plow showing my new design;  
FIG. 2 is a bottom, front and right side perspective view thereof; and  
FIG. 3 is a left side elevational view thereof, the right side being a mirror image of that shown.

[56] References Cited

U.S. PATENT DOCUMENTS

- D. 242,761 12/1976 DiCarlo ..... D8/10
- D. 265,169 6/1982 Bunnell et al. .... D8/10
- D. 291,273 8/1987 Vosbikian ..... D8/10



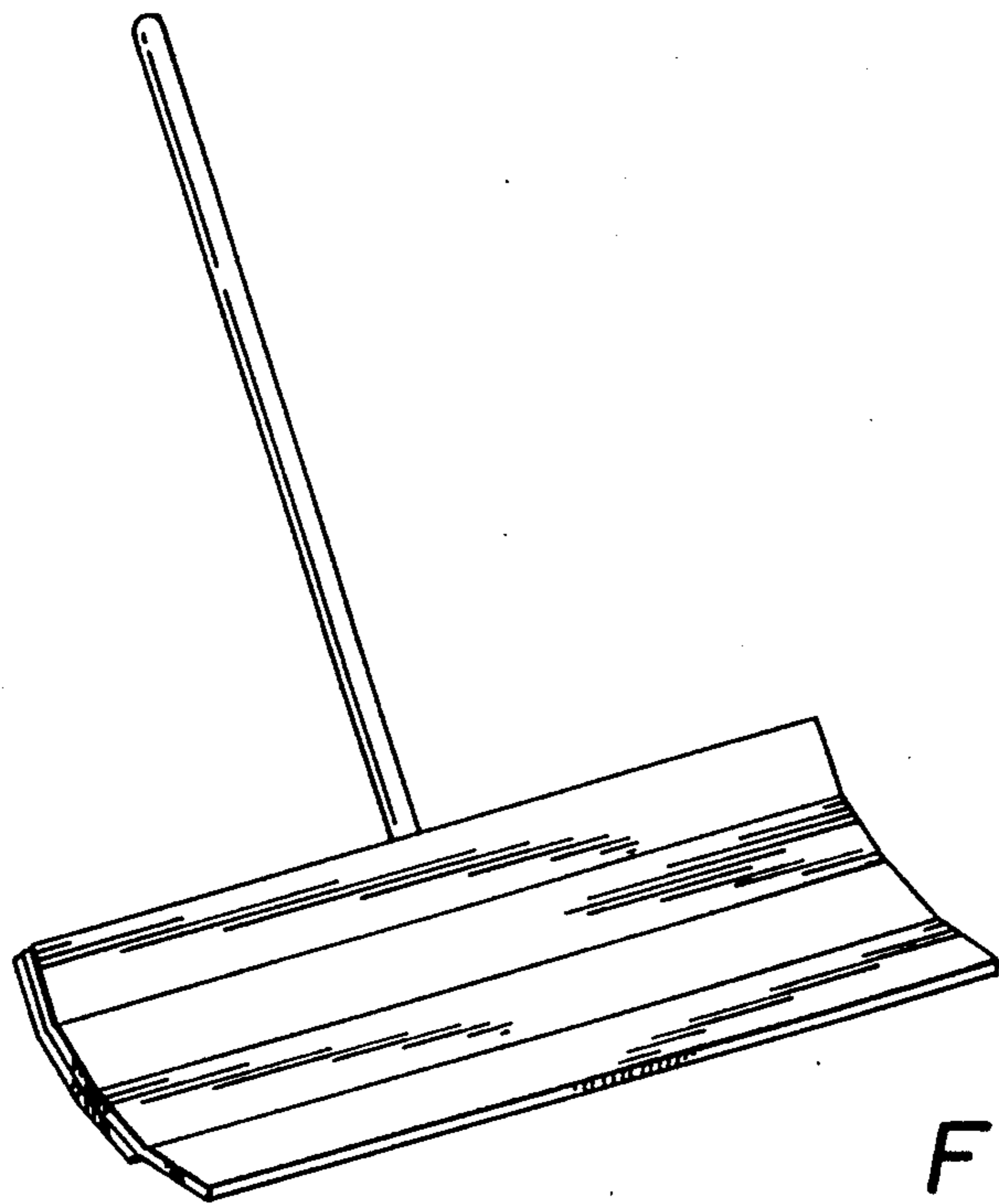


FIG. 1

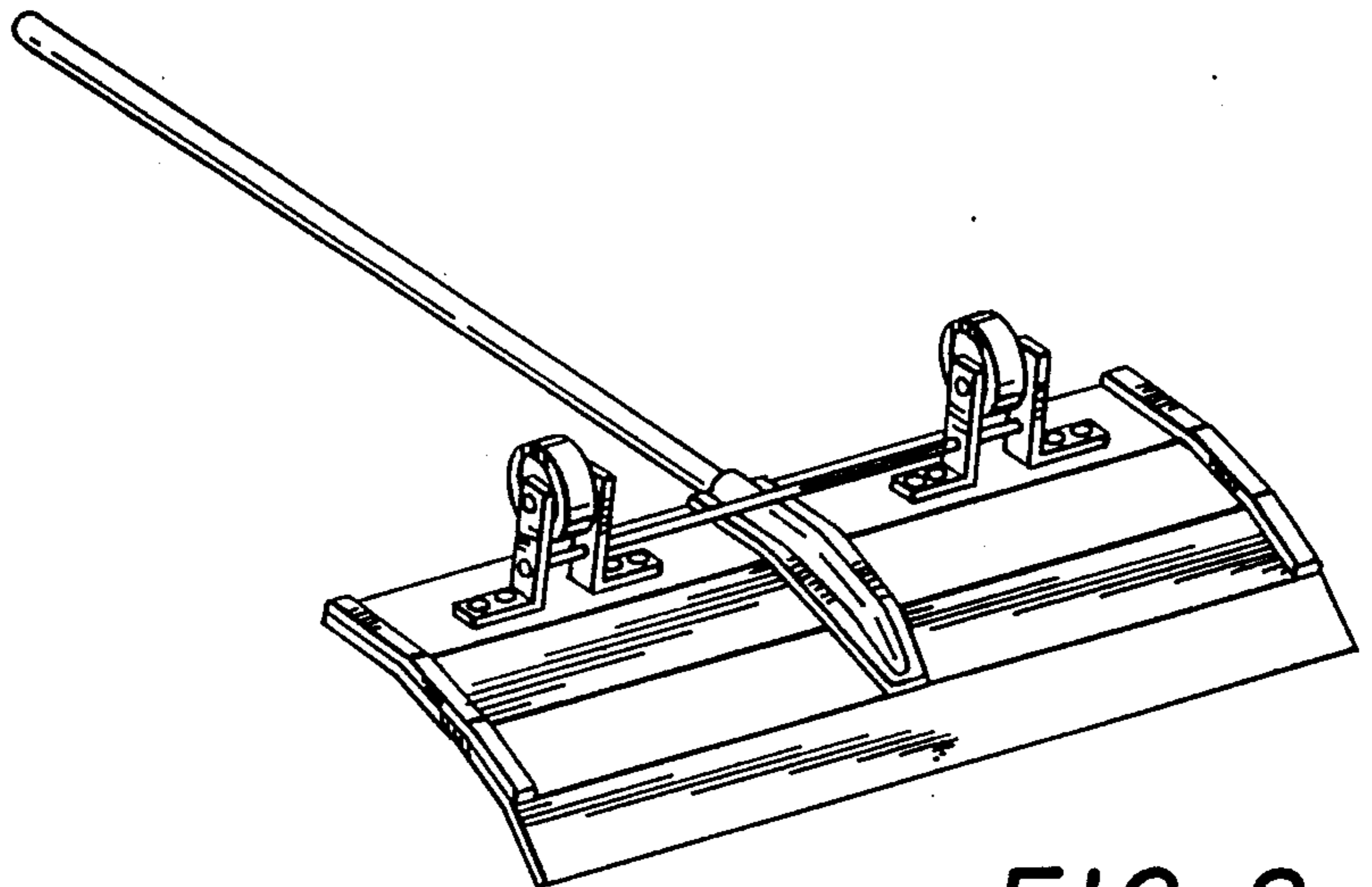


FIG. 2

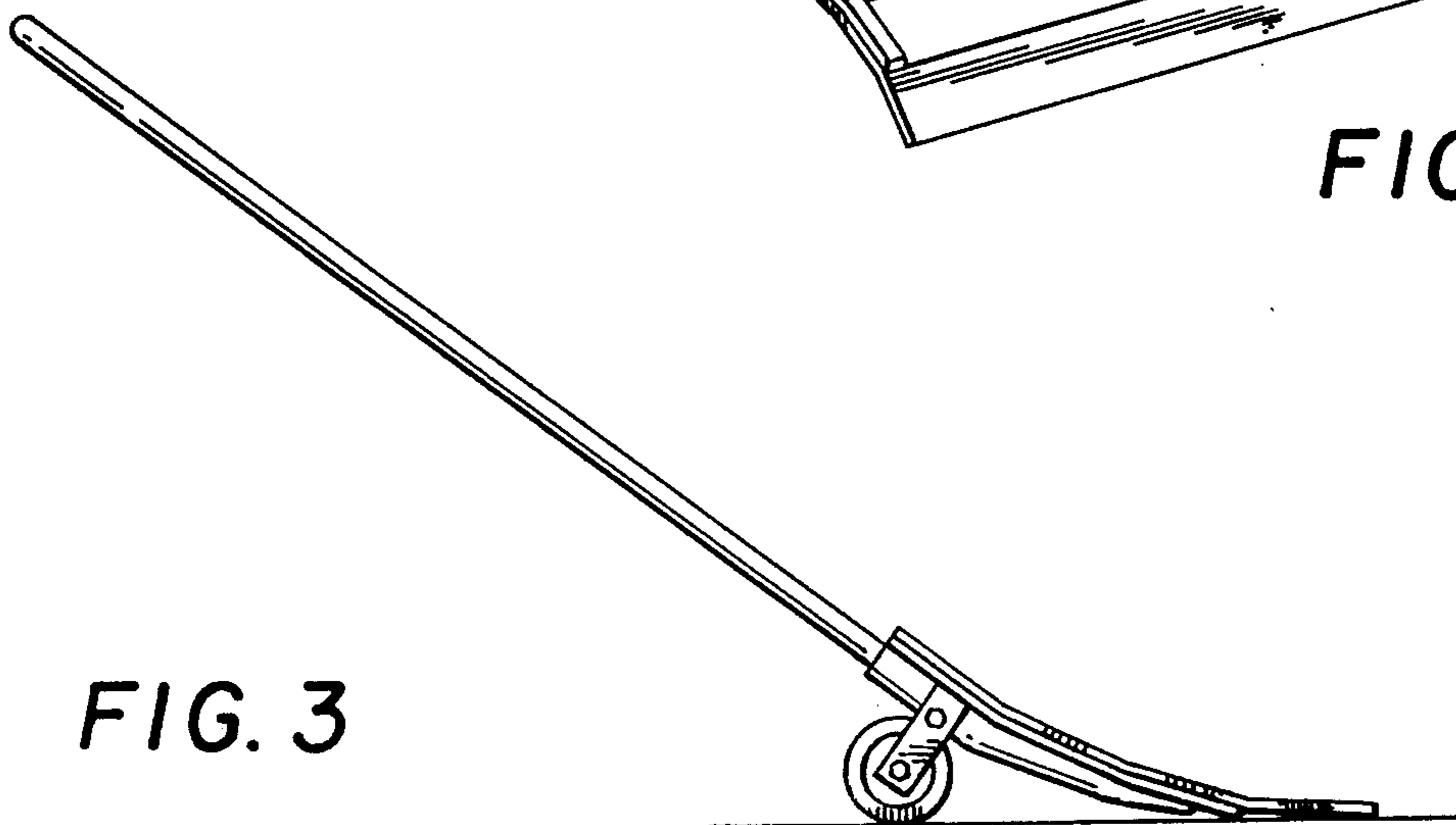


FIG. 3