

[54] WINE BOTTLE HOLDER

[76] Inventor: Harold Bearak, 8221 Del Camino Dr., Scottsdale, Ariz. 85258

[\*\*] Term: 14 Years

[21] Appl. No.: 72,605

[22] Filed: Jul. 13, 1987

[52] U.S. Cl. .... D7/616

[58] Field of Search ..... D7/70, 71; 211/74; 206/203, 200

OTHER PUBLICATIONS

Catalog of Huguen Corp., 6/87, pp. 6-7, Wine Bottle Baskets.

Primary Examiner—Bernard Ansher  
Assistant Examiner—Terry A. Pfeffer  
Attorney, Agent, or Firm—Jacobs & Jacobs

[57] CLAIM

The ornamental design for a wine bottle holder, as shown and described.

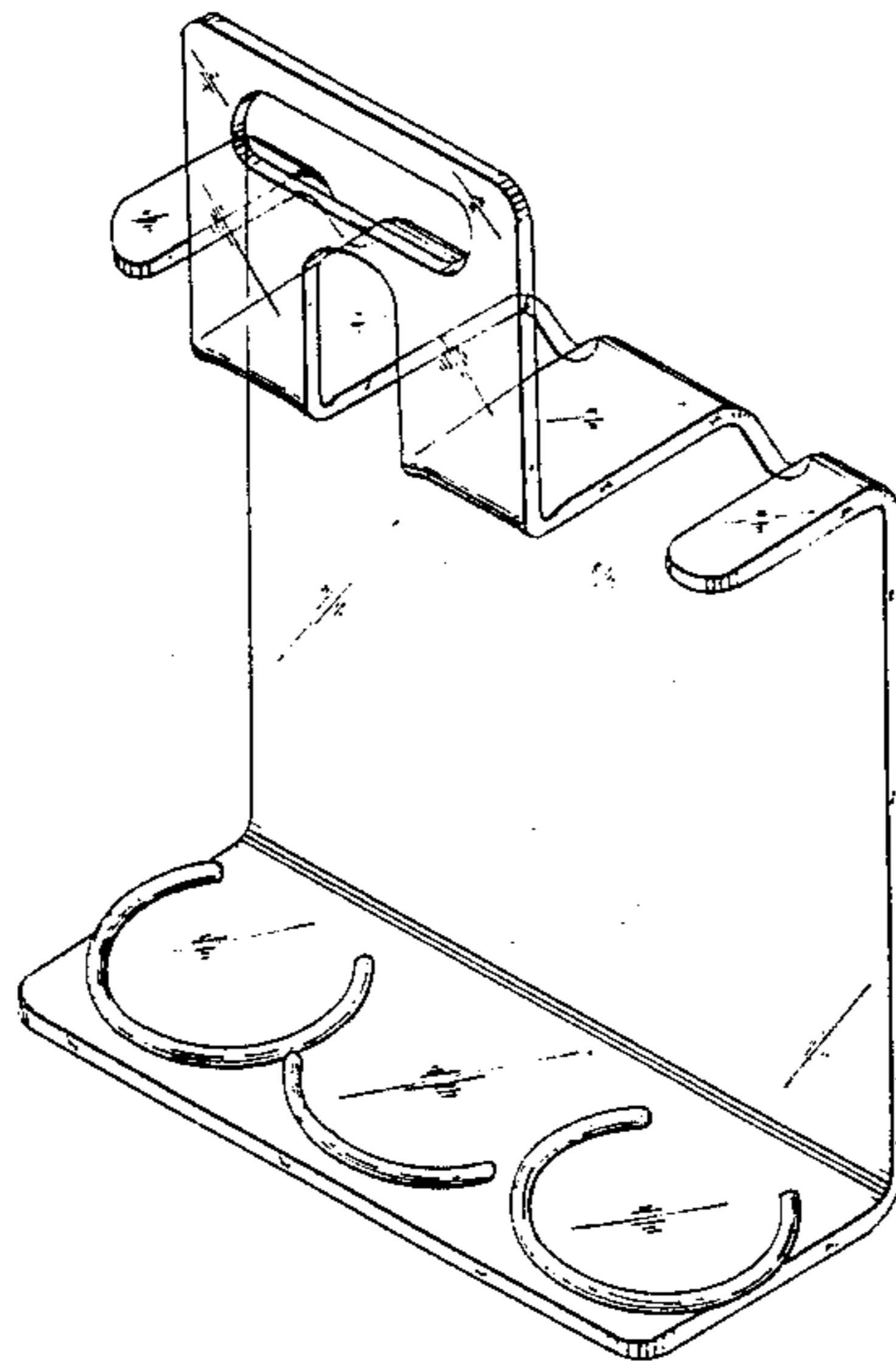
DESCRIPTION

FIG. 1 is a perspective view of a wine bottle holder showing my new design;  
FIG. 2 is a front elevational view thereof;  
FIG. 3 is a right side elevational view thereof; the left side being the mirror image thereof;  
FIG. 4 is a rear elevational view thereof;  
FIG. 5 is a top plan view thereof; and  
FIG. 6 is a bottom plan view thereof.

[56] References Cited

U.S. PATENT DOCUMENTS

- 1,981,647 11/1934 Johnson .
- 2,210,643 8/1940 Warren .
- 2,689,061 9/1954 Gray .
- 2,747,767 5/1956 Bergstein .
- 2,896,814 7/1959 Altenburg .
- 4,204,596 5/1980 Davis .
- 4,285,449 8/1981 Campos .



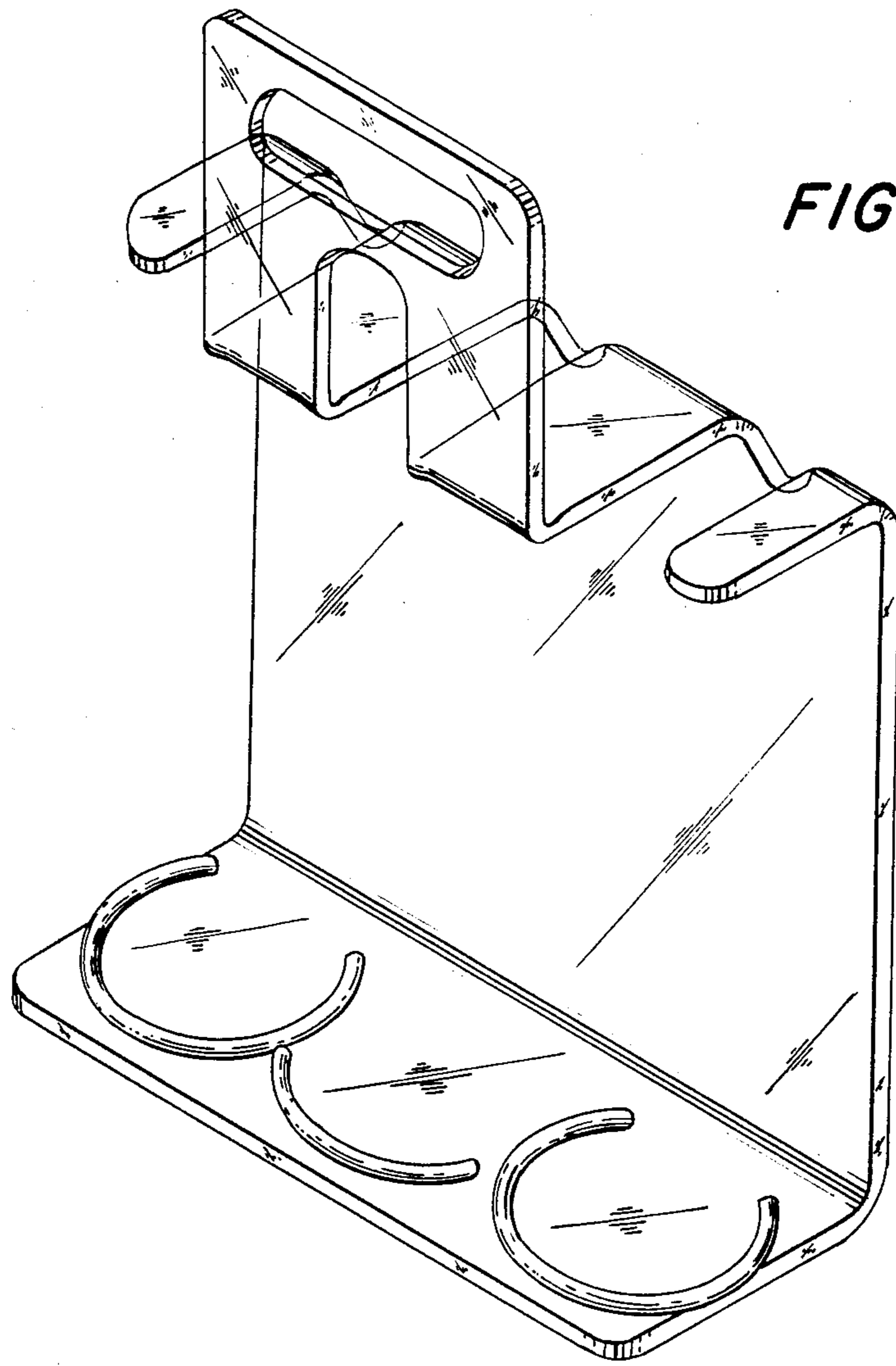


FIG. 1

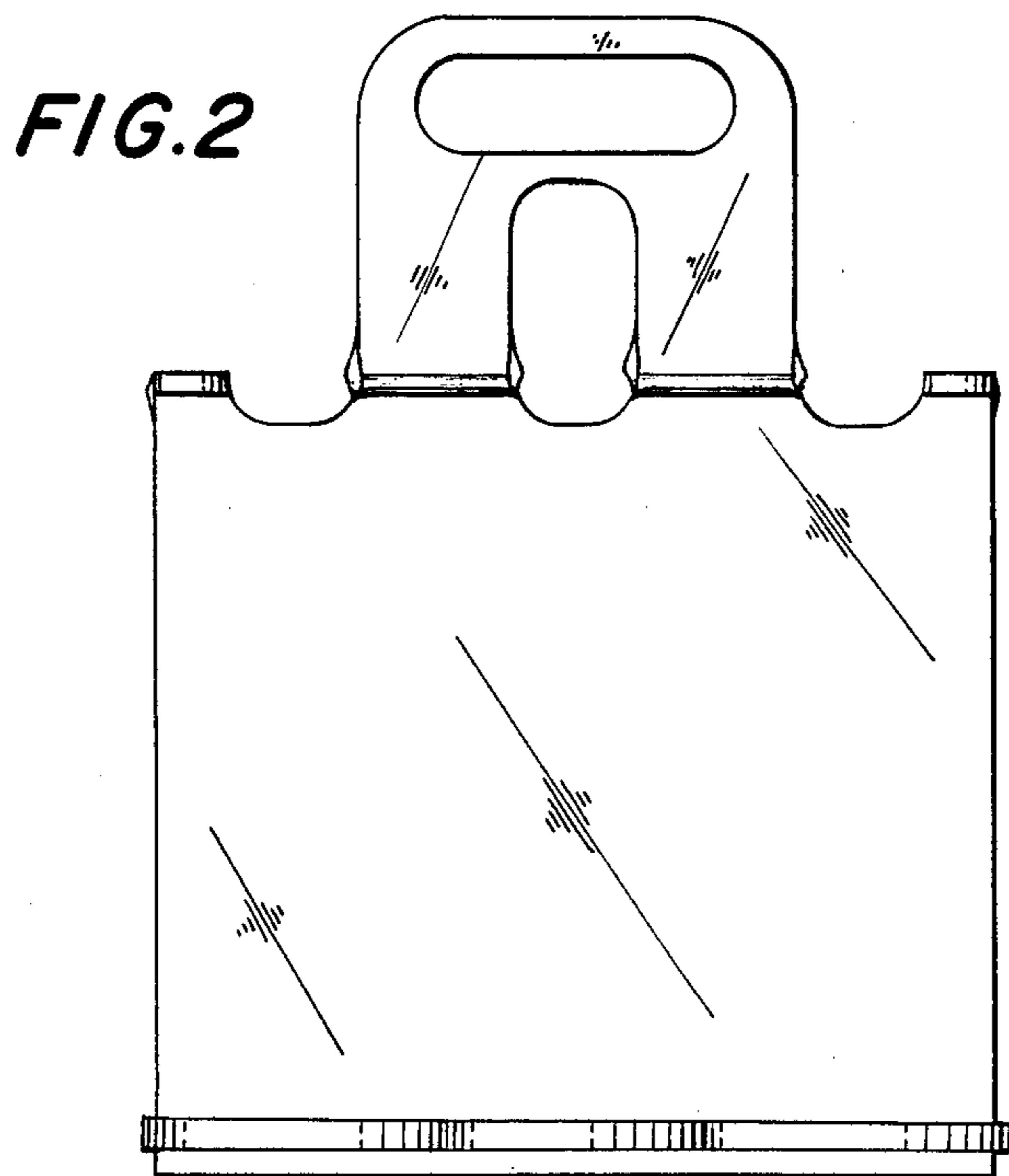


FIG. 2

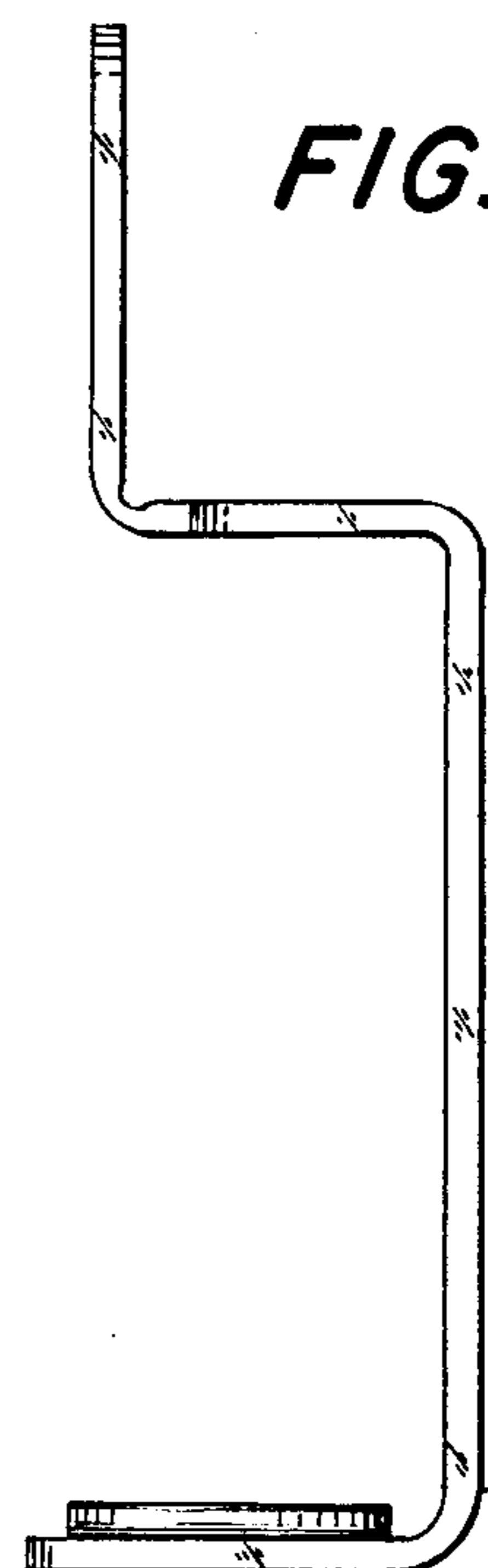
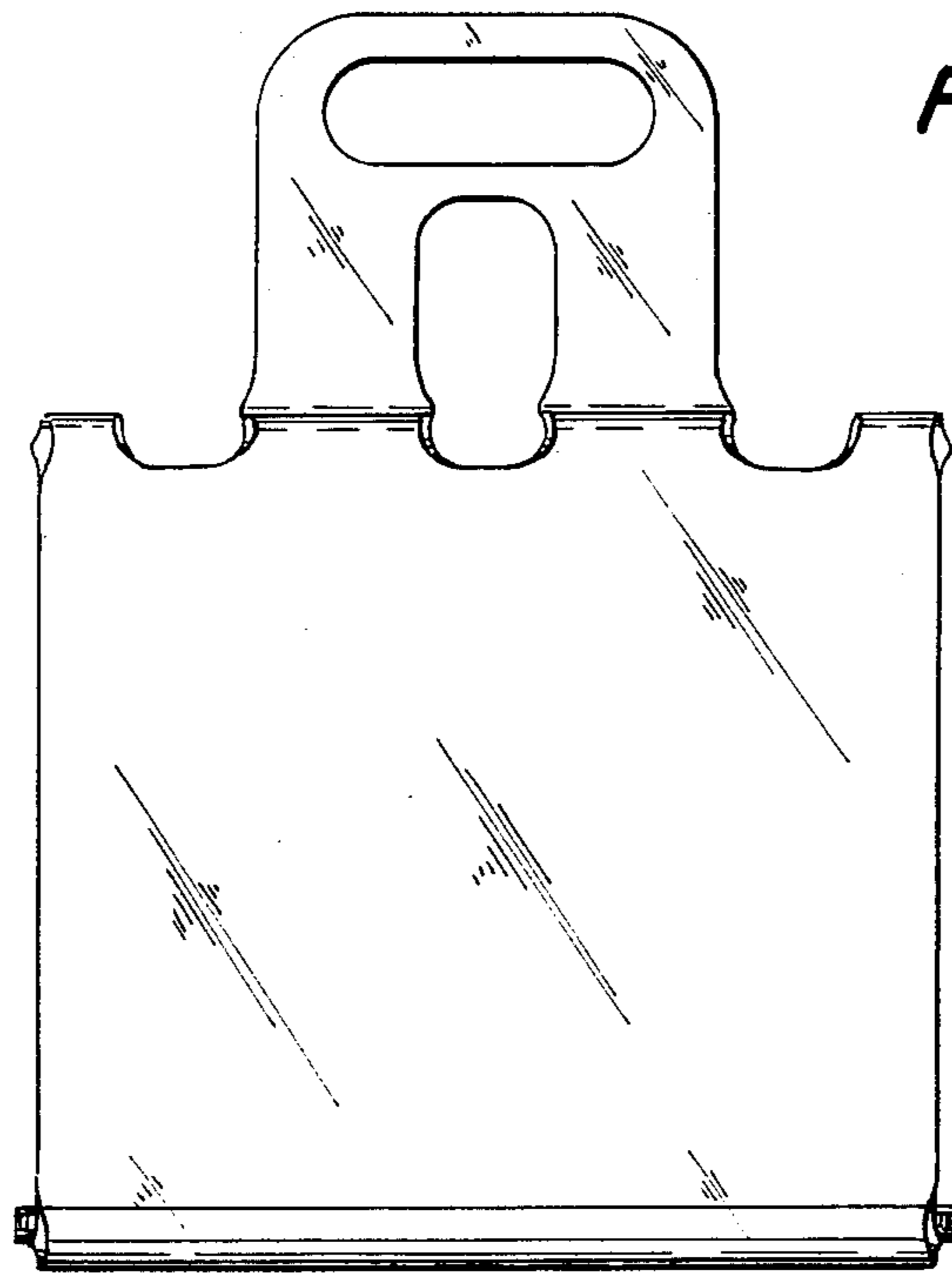
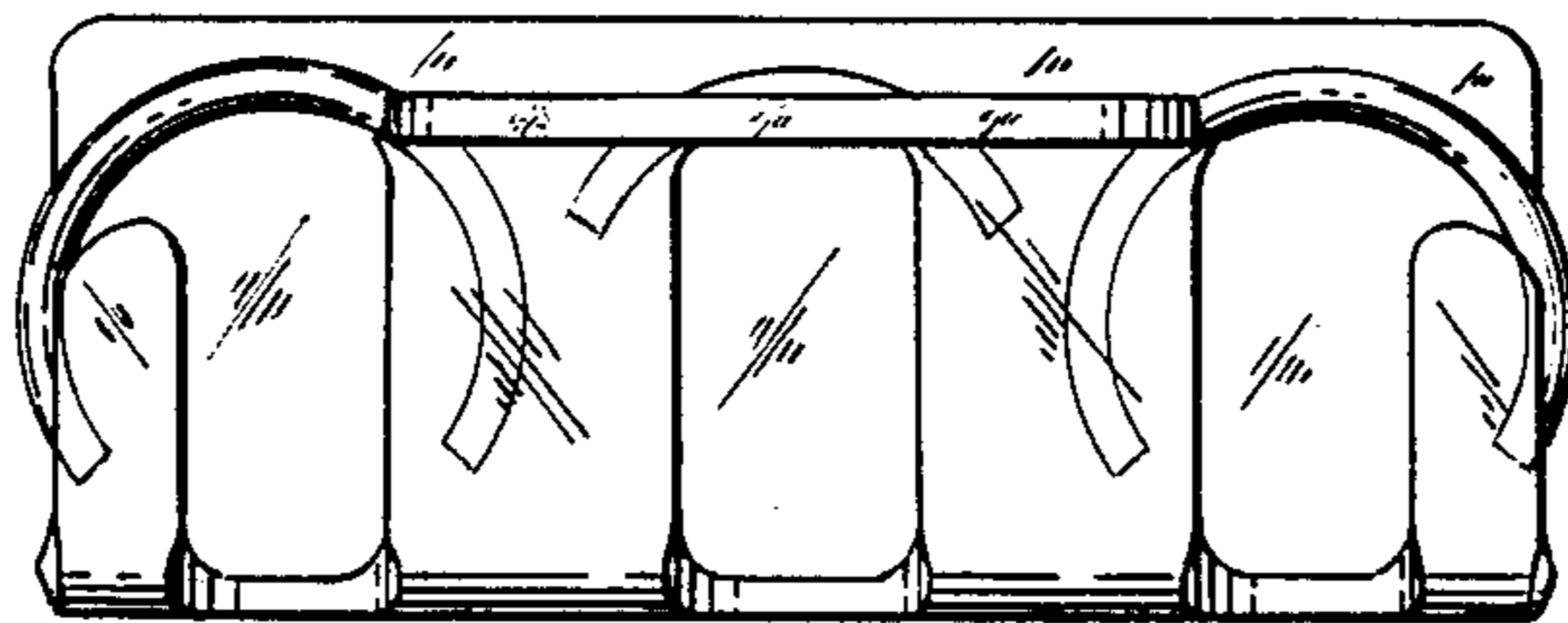


FIG. 3



*FIG. 4*

*FIG. 5*



*FIG. 6*

