

[54] FISH CLEANING TABLE

[56] References Cited

[76] Inventors: James R. Dry, 1348 Rue Crozat, Baton Rouge, La. 70810; Mark T. Burns, 40166 Autum Hill Dr., Prairieville, La. 70769

U.S. PATENT DOCUMENTS

D. 226,603 3/1973 Knighten D6/400
2,683,639 7/1954 Brenny 108/161 X
3,713,189 1/1973 Tkachuk D7/99 X

[**] Term: 14 Years

Primary Examiner—Carmen H. Vales-Lado
Assistant Examiner—Schon C. Oppert
Attorney, Agent, or Firm—Pravel, Gambrell, Hewitt, Kimball & Krieger

[21] Appl. No.: 944,616

[57] CLAIM

The ornamental design for fish cleaning table, as shown.

[22] Filed: Dec. 22, 1986

DESCRIPTION

[52] U.S. Cl. D6/429

[58] Field of Search D6/388, 397, 400, 429, D6/430, 469, 480, 487; D23/286, 287, 499; D22/199; 83/136, 167, 218, 605, 607, 609, 694; 108/24, 25, 26, 38, 115, 161; D7/99

FIG. 1 is a top perspective view of the fish cleaning table showing our new design;
FIG. 2 is an end elevational view thereof;
FIG. 3 is a bottom side perspective view thereof;
FIG. 4 is a bottom plan view thereof;
FIG. 5 is a front elevational view thereof; and
FIG. 6 is an enlarged sectional view of the bowl and cover.

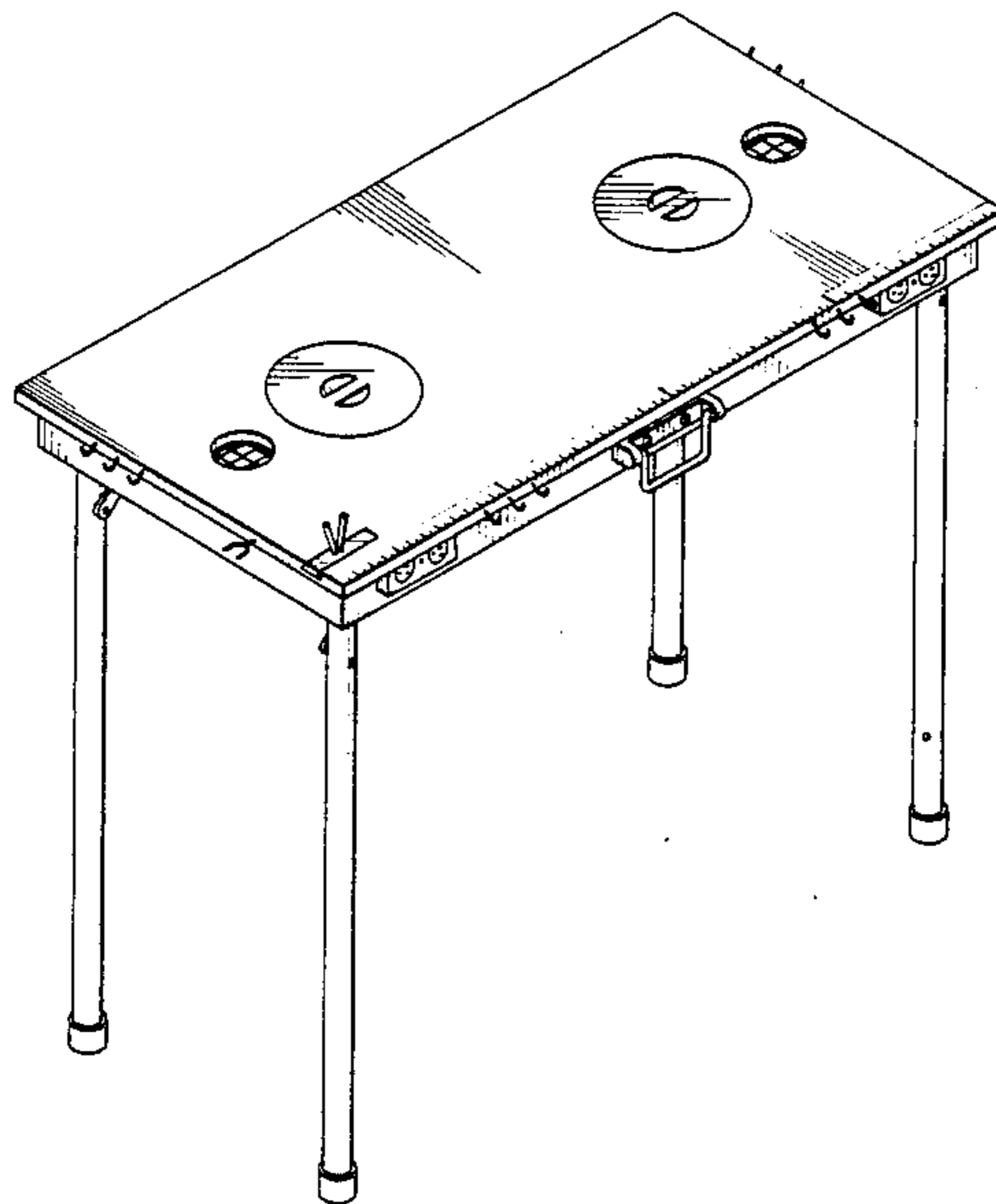


FIG. 1

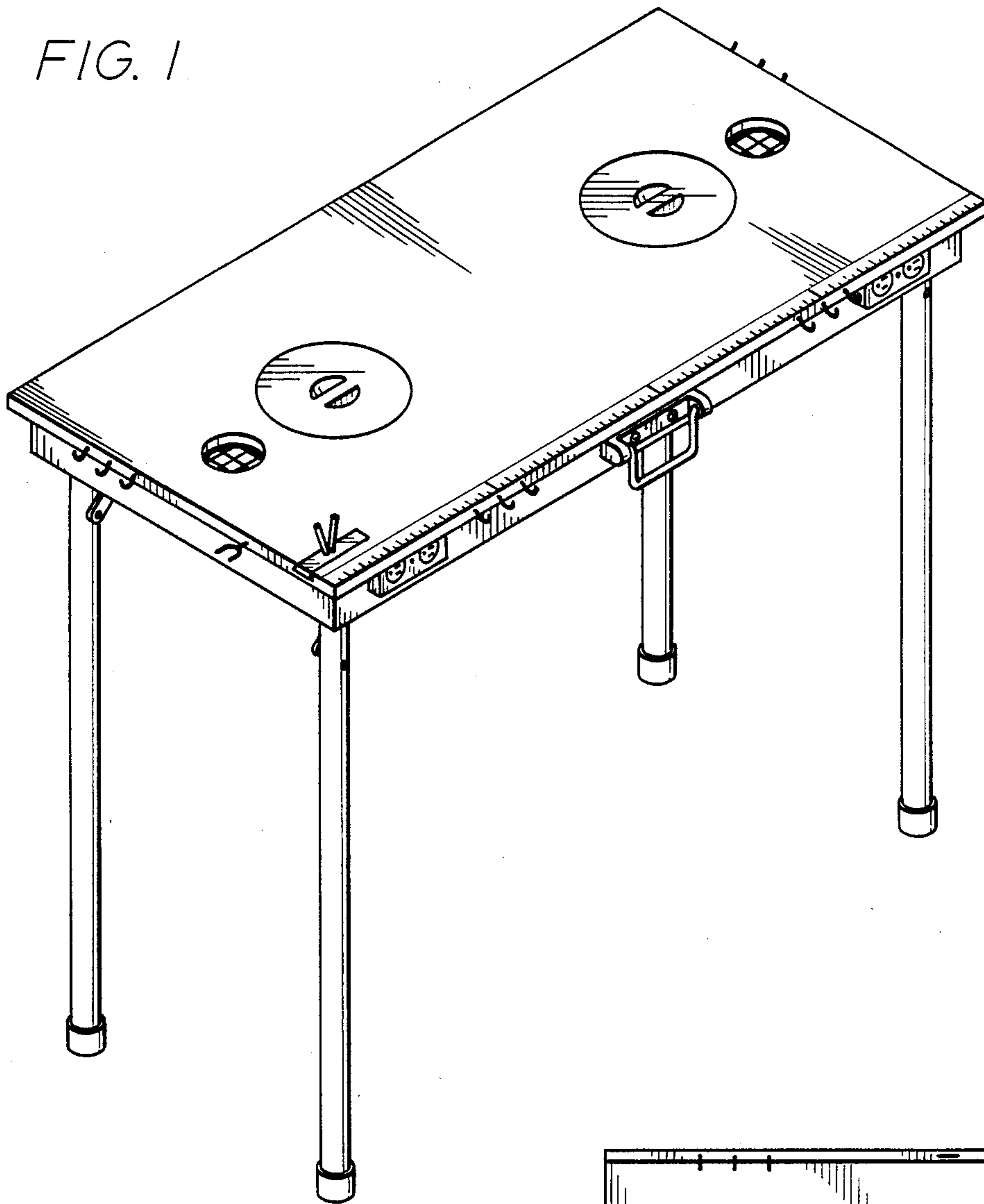
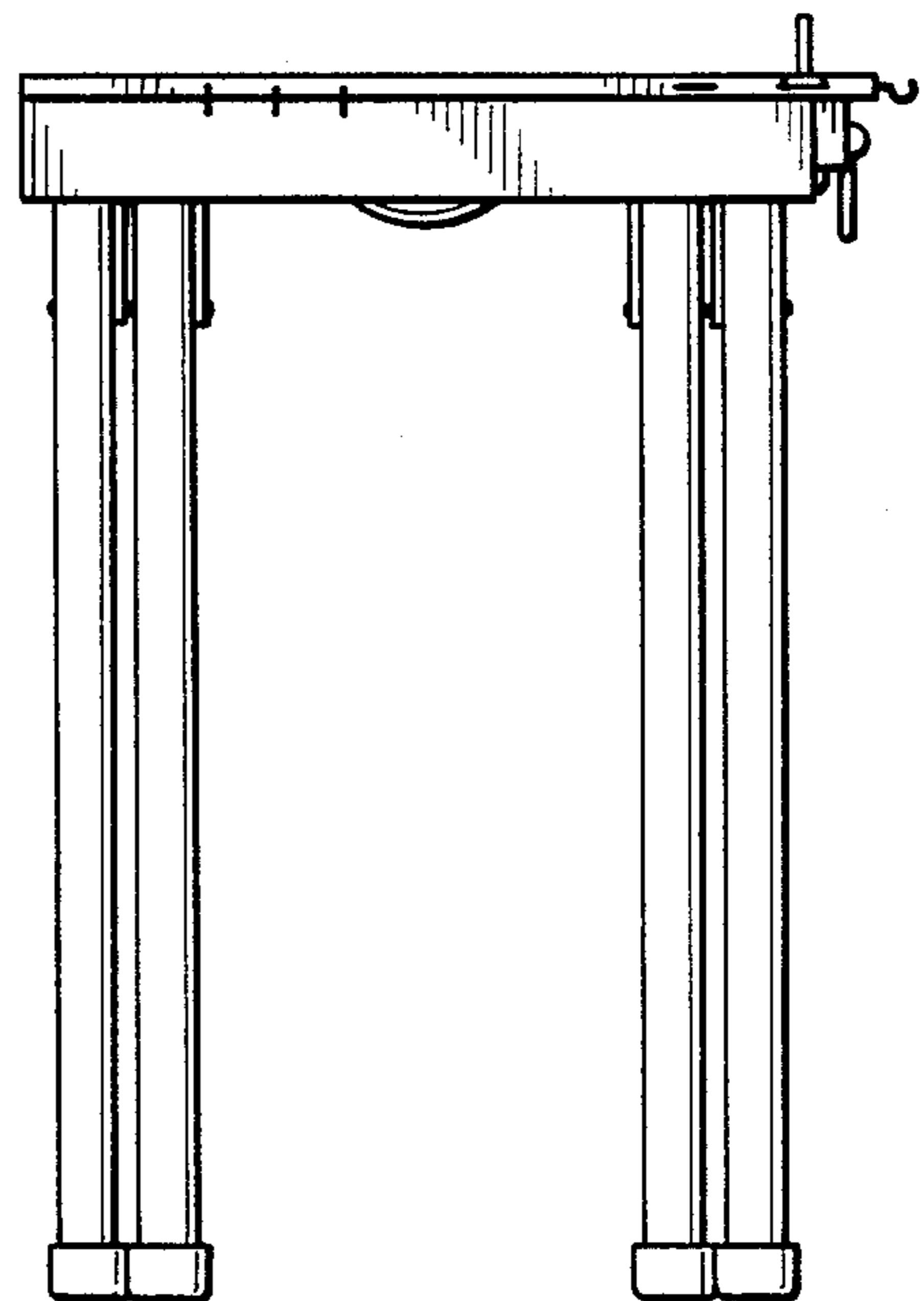


FIG. 2



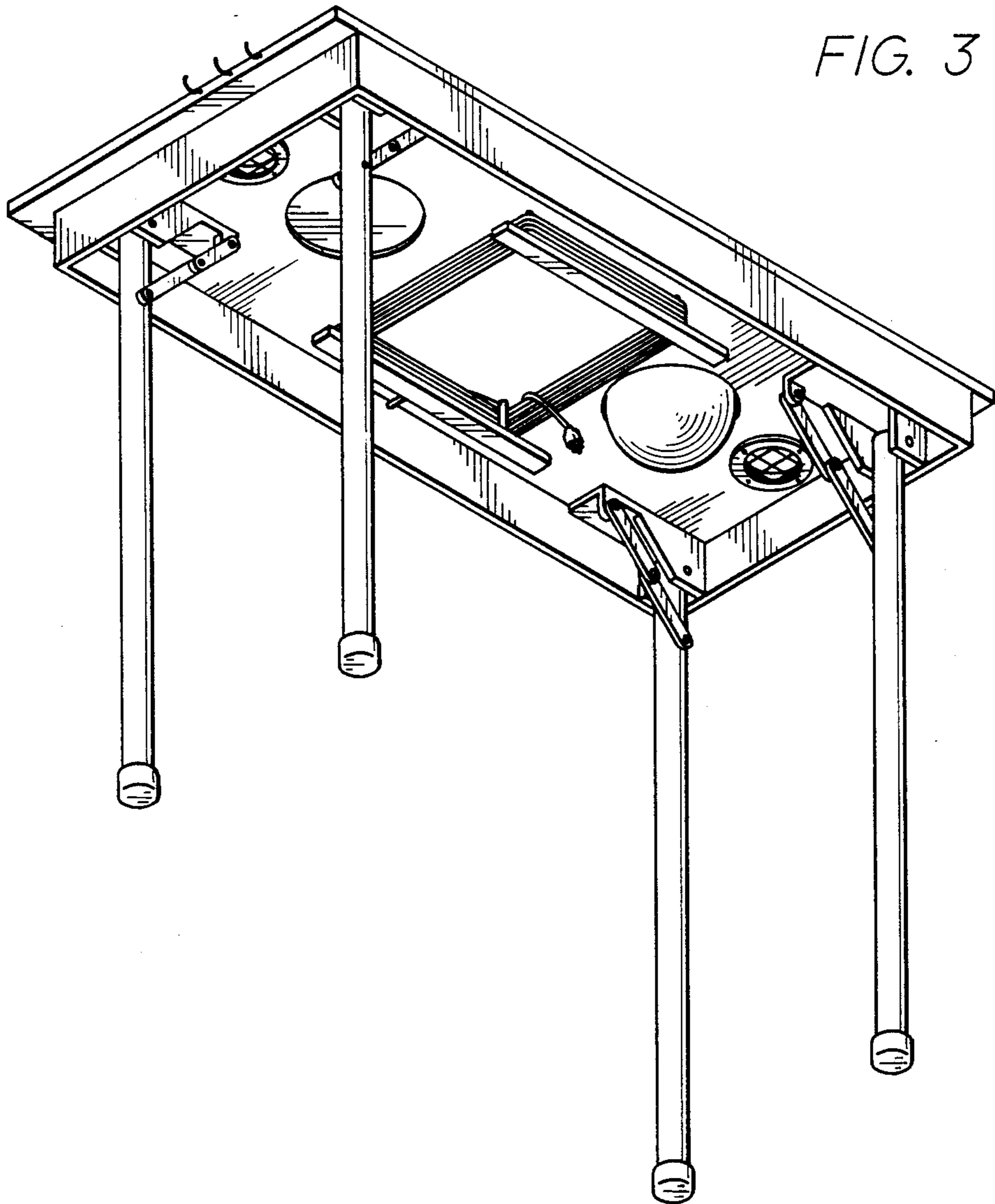
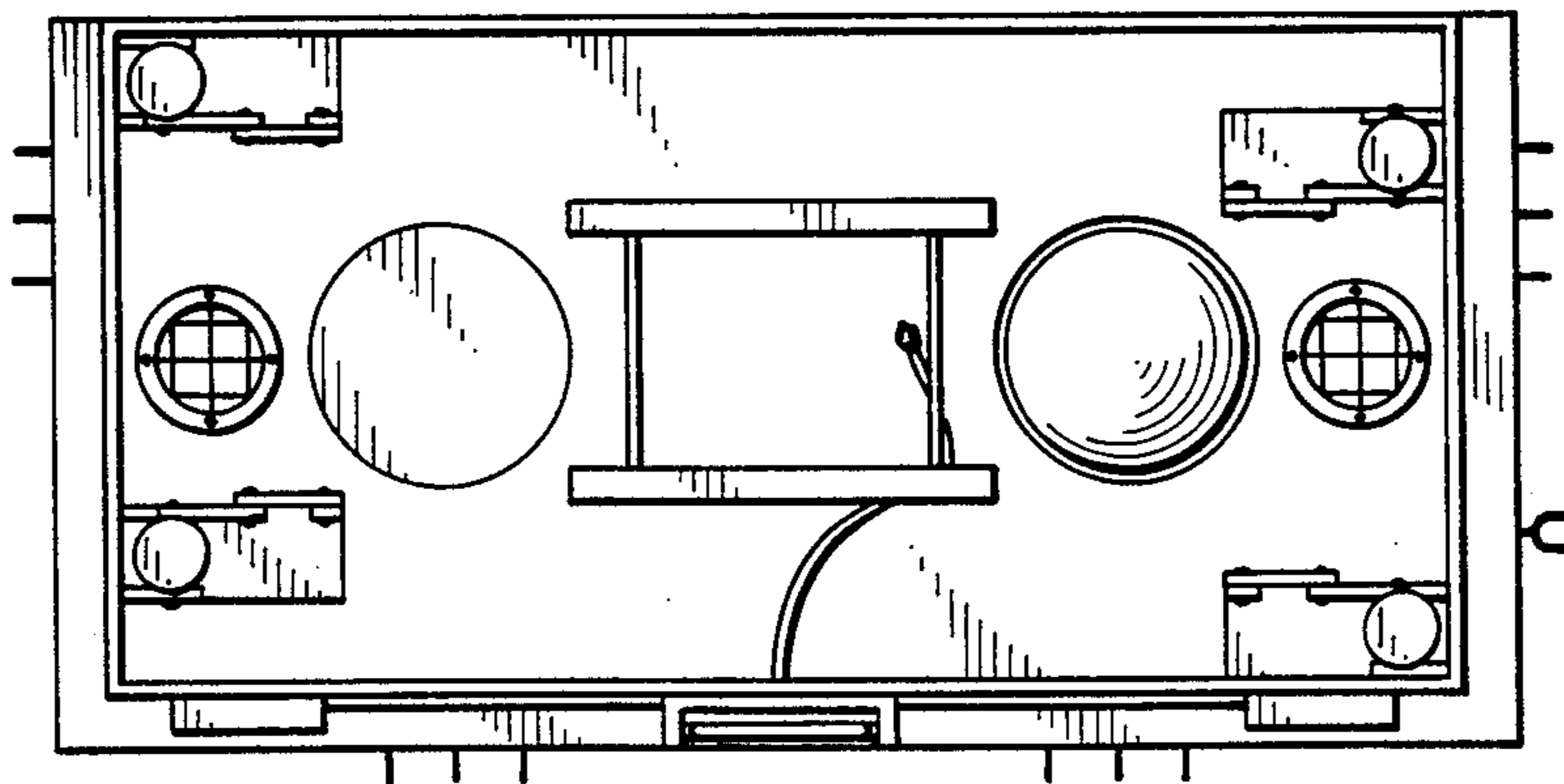


FIG. 3

FIG. 4



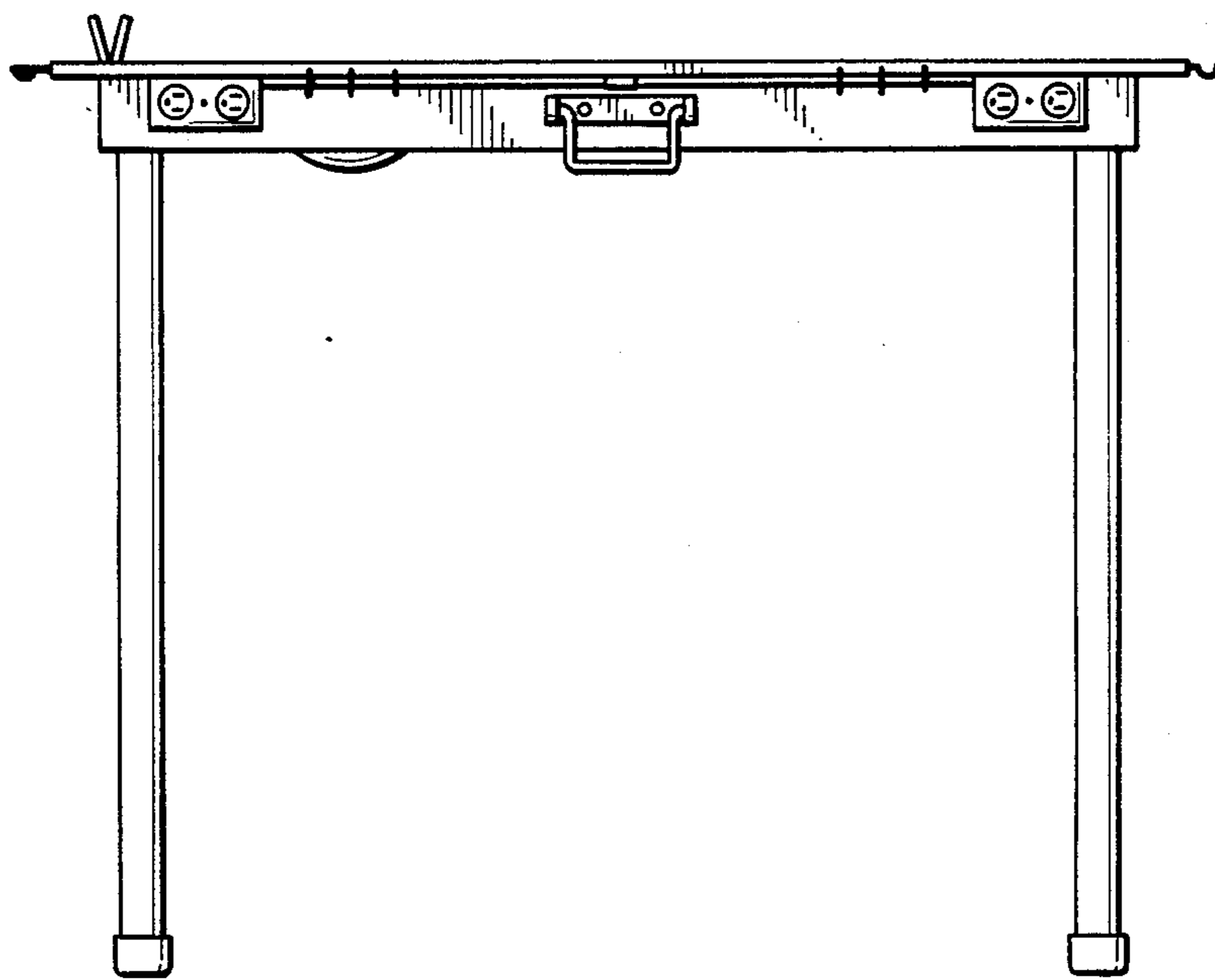


FIG. 5

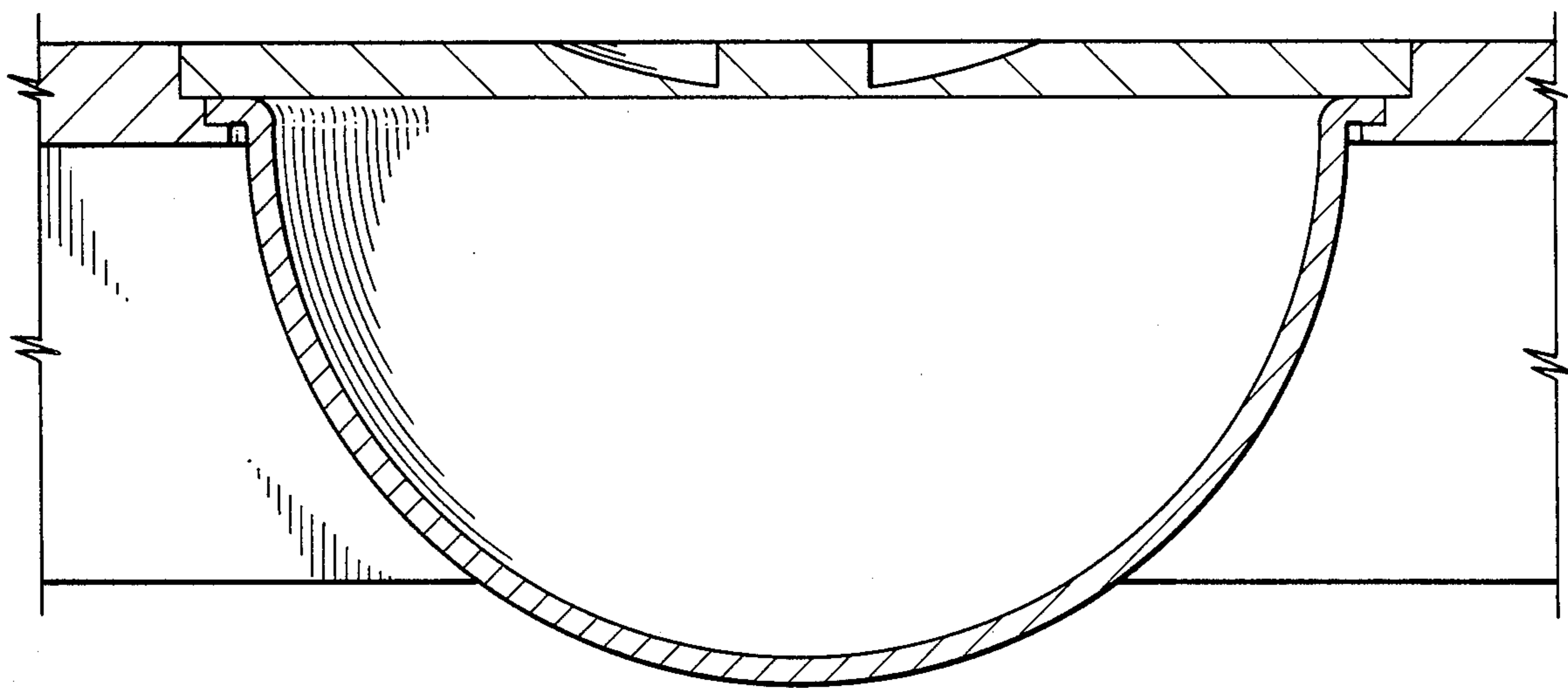


FIG. 6