

[54] GLIDER

[75] Inventors: Charles Pomeroy; John T. Bycraft, both of South Bend, Ind.

[73] Assignee: Jack-Post Corporation, Buchanan, Mich.

[\*] Notice: The portion of the term of this patent subsequent to Apr. 24, 2004 has been disclaimed.

[\*\*] Term: 14 Years

[21] Appl. No.: 759,231

[22] Filed: Jul. 26, 1985

[52] U.S. Cl. .... D6/347

[58] Field of Search ..... D6/347

[56]

References Cited

U.S. PATENT DOCUMENTS

- D. 110,560 7/1938 Goldberg ..... D6/347
- D. 259,308 5/1981 Sroub ..... D6/347

OTHER PUBLICATIONS

"Fiesta Royale Glider" by Jack-Post Corp., ©1984, No. FRGL, reference submitted by applicant.

Primary Examiner—Bruce W. Dunkins

Assistant Examiner—Ann Hunt

Attorney, Agent, or Firm—Stephen G. Rudisill

[57]

CLAIM

The ornamental design for glider, as shown and described.

DESCRIPTION

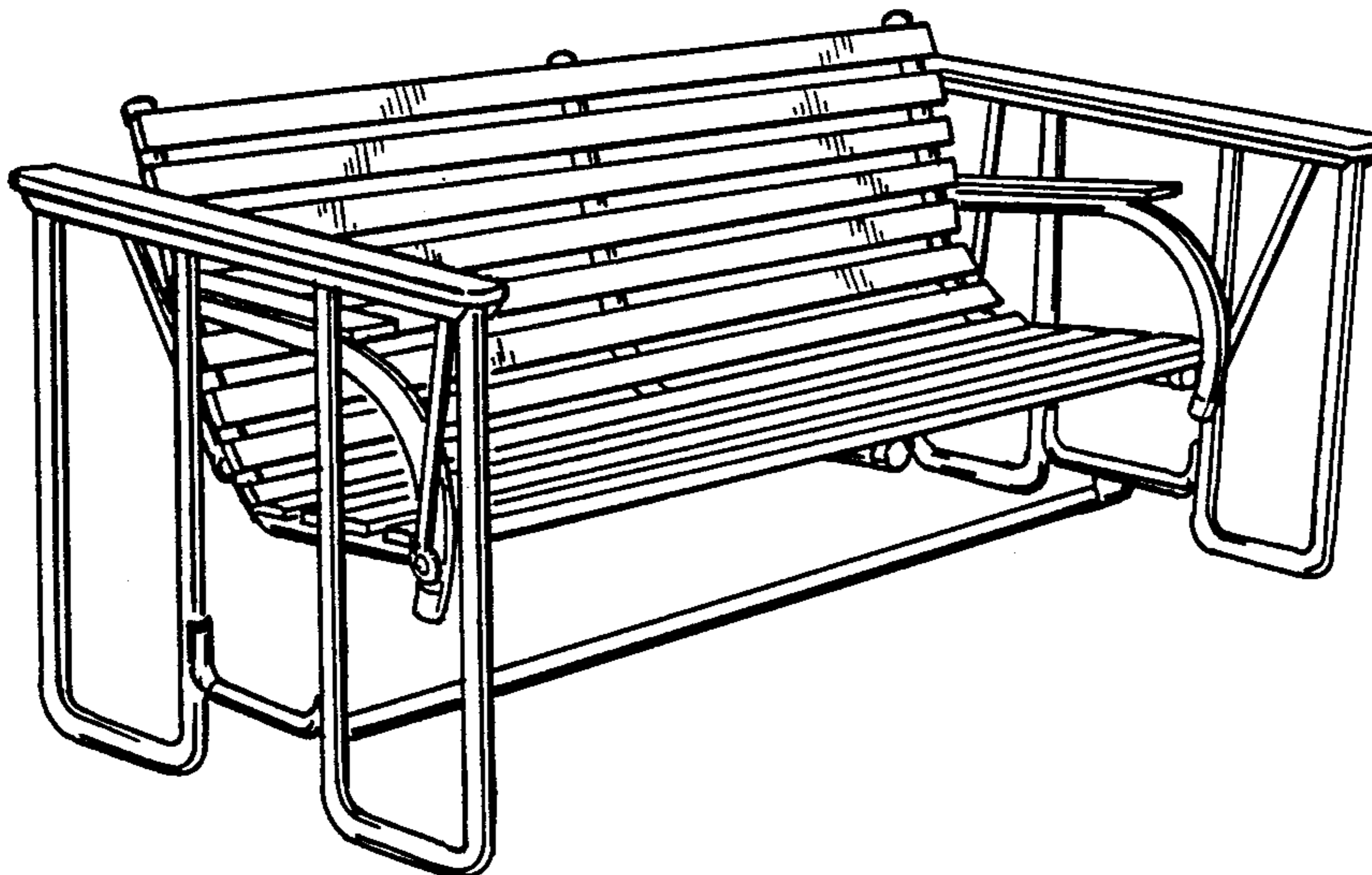
FIG. 1 is a front perspective view of the glider, showing our new design;

FIG. 2 is an end elevation view;

FIG. 3 is a top view;

FIG. 4 is a front elevational view; and

FIG. 5 is a rear elevational view thereof.



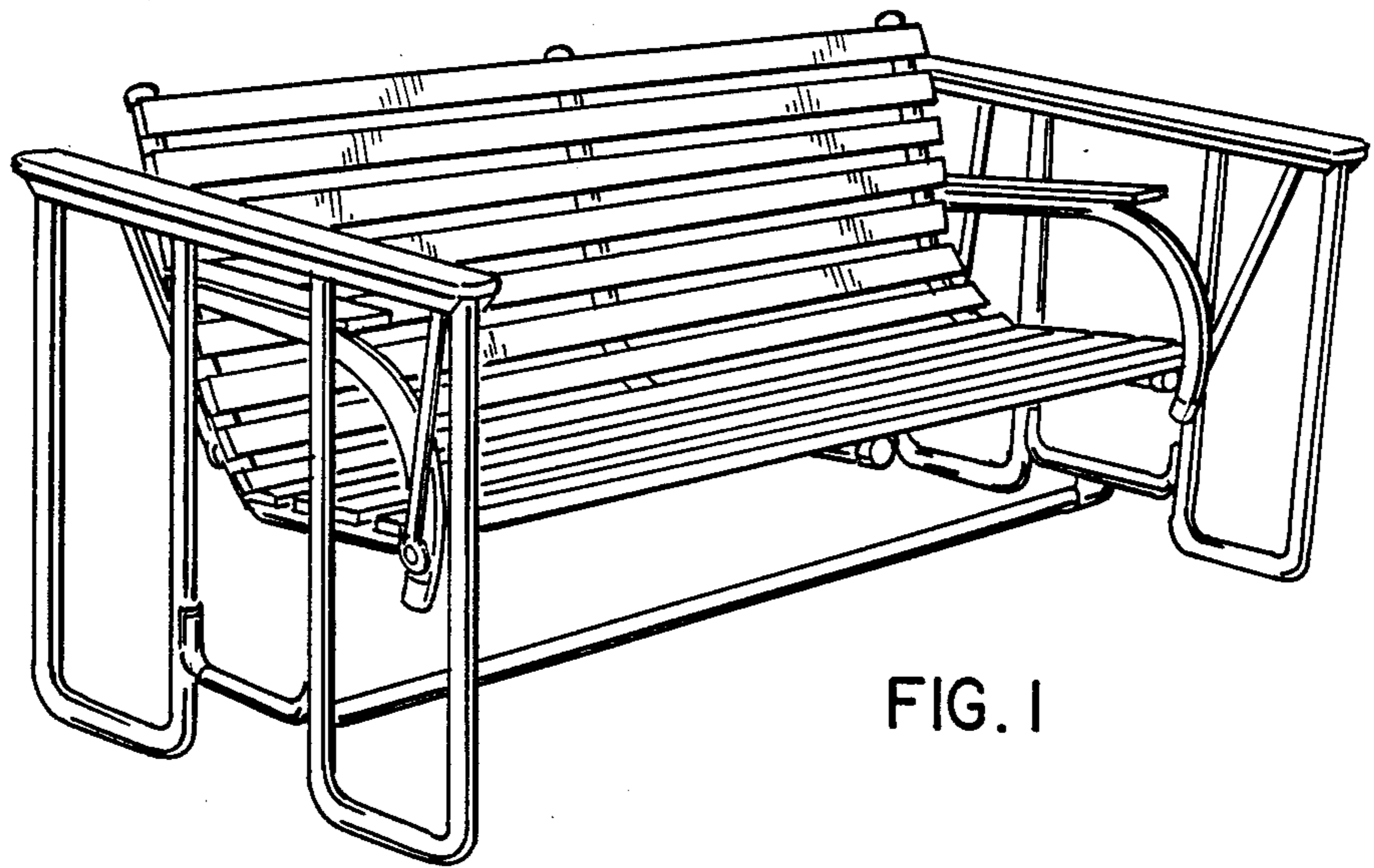


FIG. 1

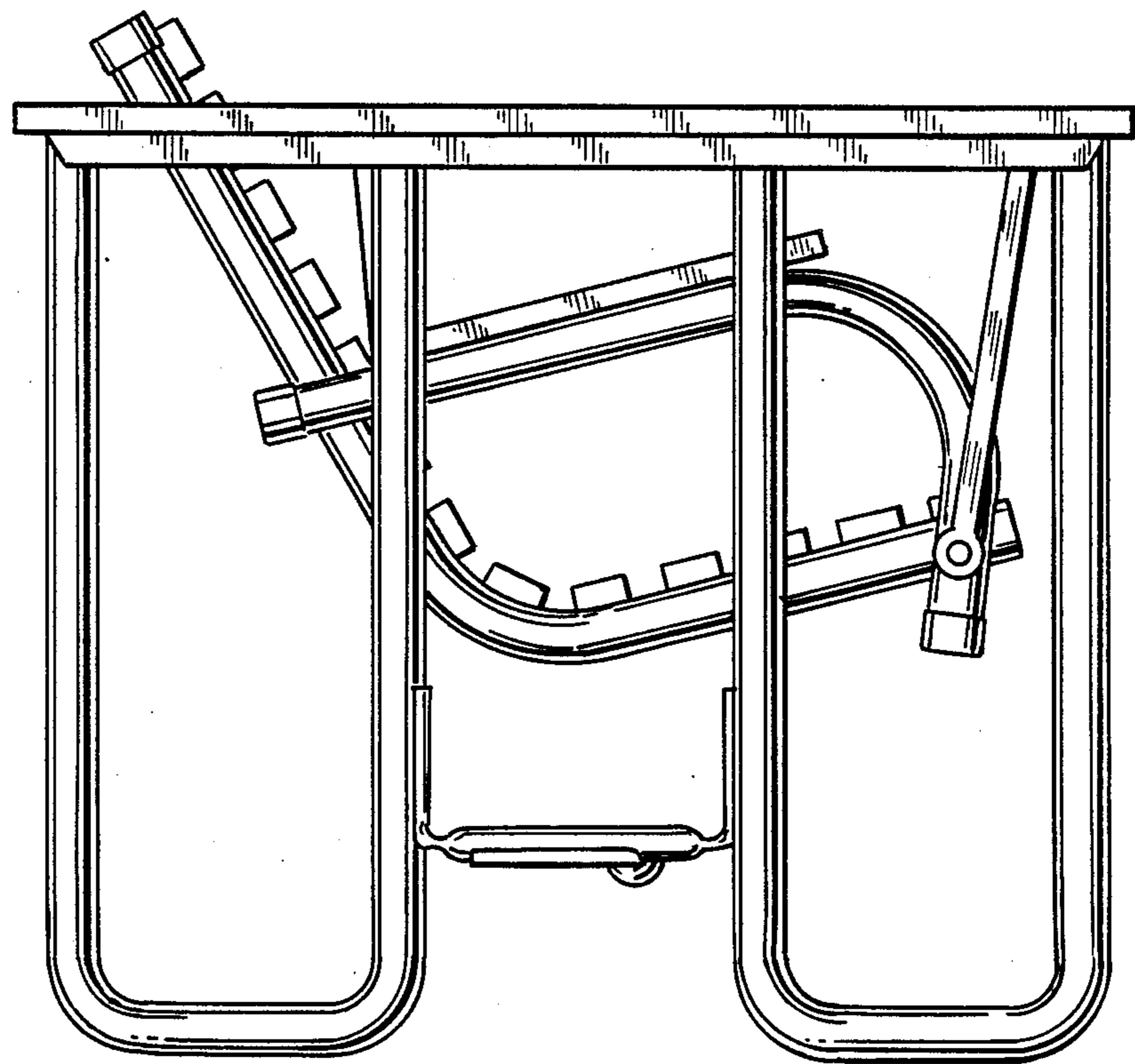


FIG. 2

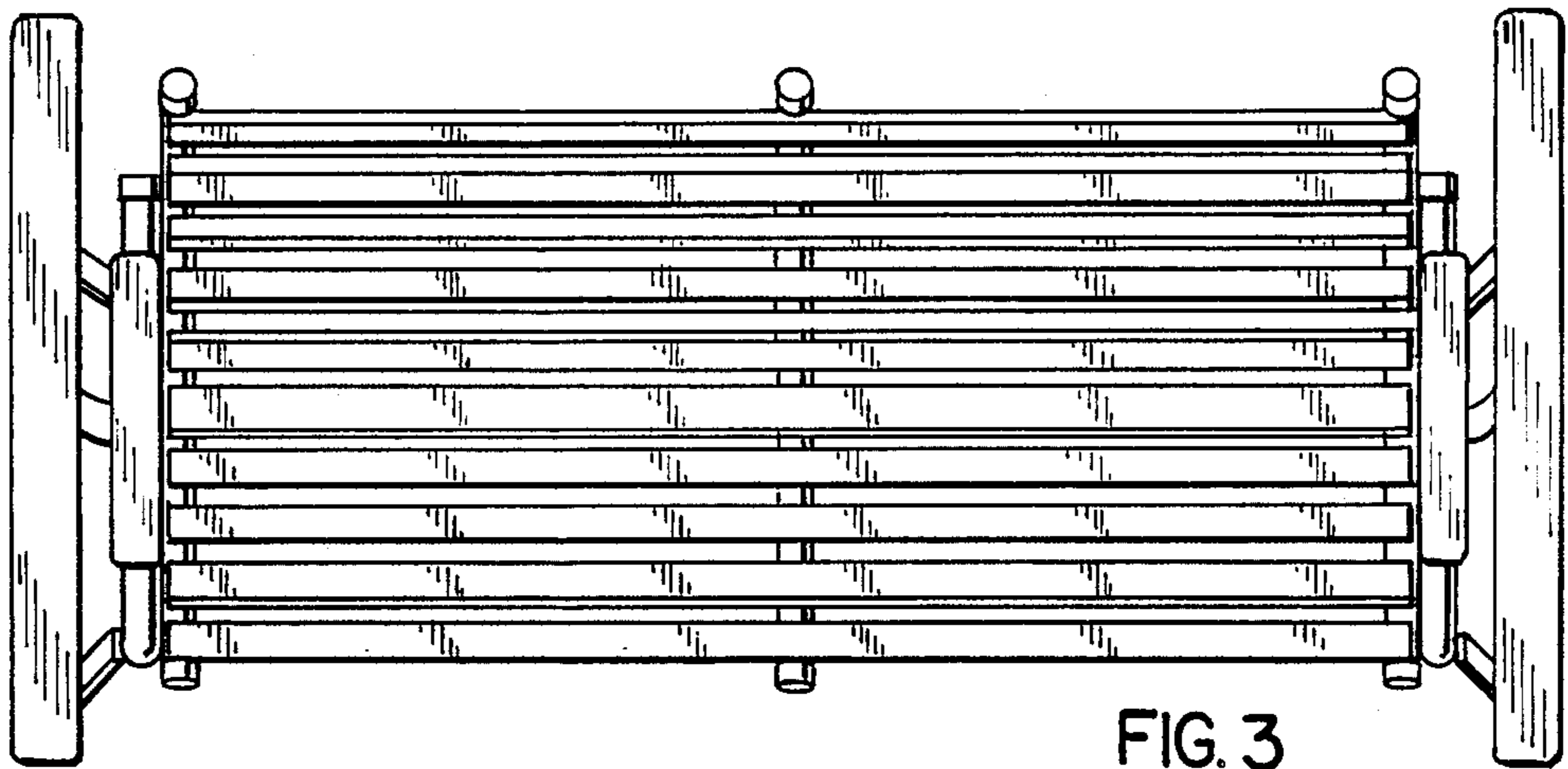


FIG. 3

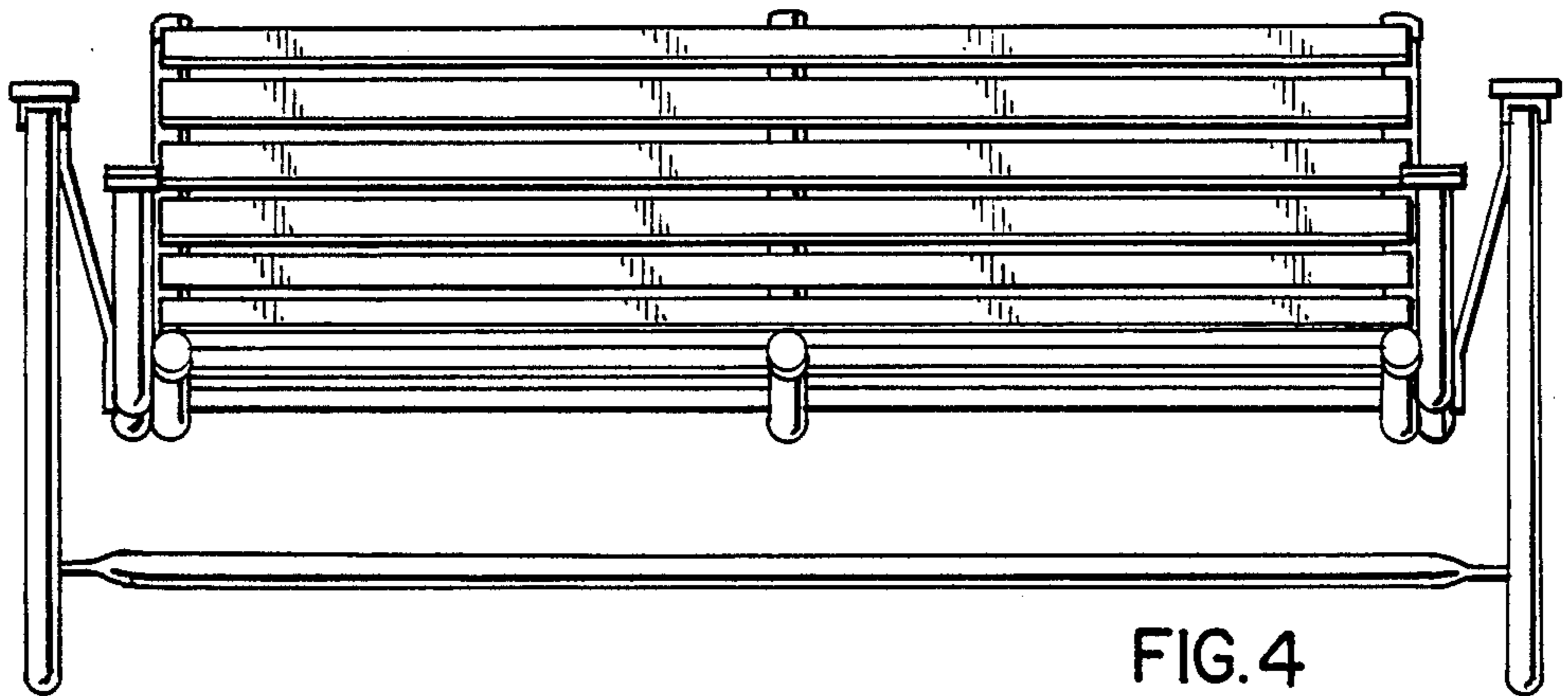


FIG. 4

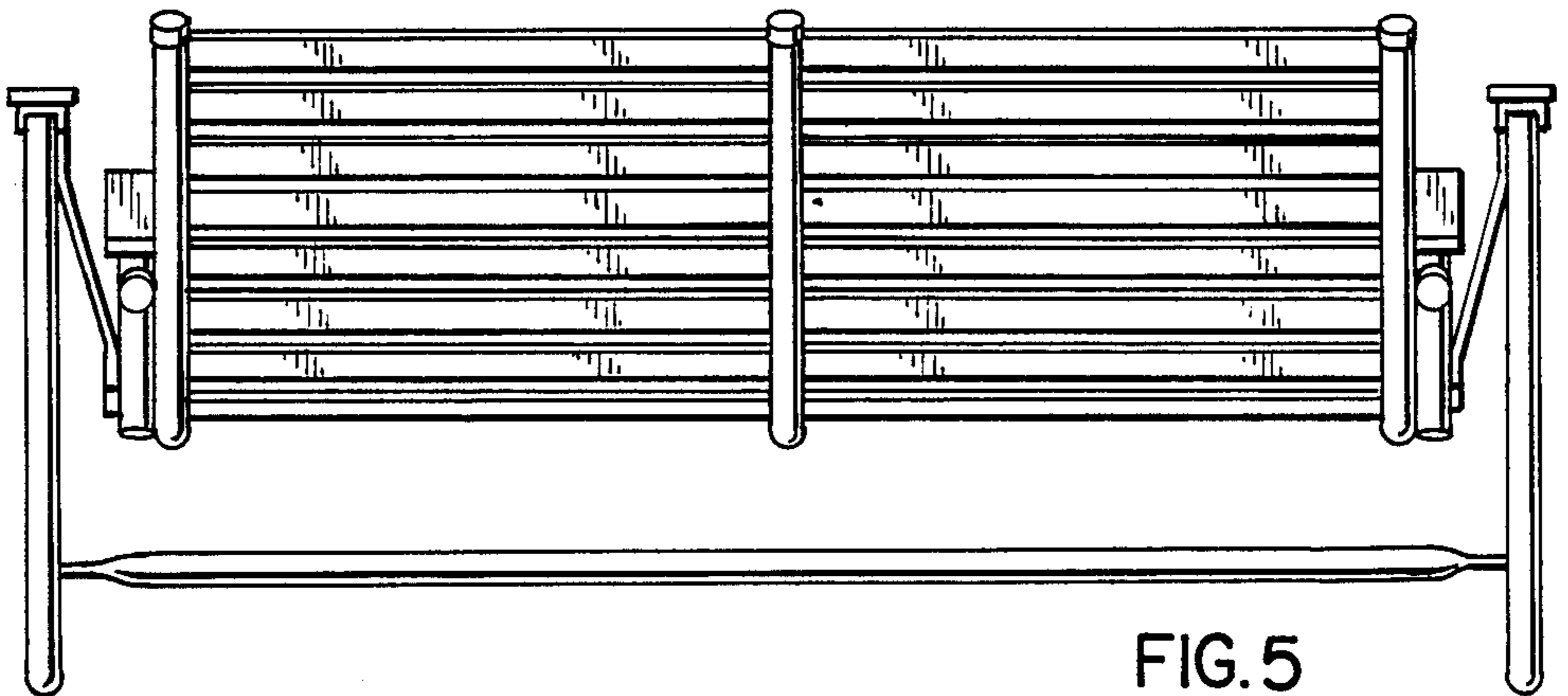


FIG. 5