

[54] **GLIDER**

[75] **Inventors: Charles Pomeroy; John T. Bycraft,**  
both of South Bend, Ind.

[73] **Assignee: Jack-Post Corporation, Buchanan,**  
Mich.

[ \* ] **Notice:** The portion of the term of this patent  
subsequent to Apr. 24, 2004 has been  
disclaimed.

[\*\*] **Term: 14 Years**

[21] **Appl. No.: 759,226**

[22] **Filed: Jul. 26, 1985**

[52] **U.S. Cl. .... D6/347**

[58] **Field of Search .... D6/347**

[56]

**References Cited**

**U.S. PATENT DOCUMENTS**

D. 259,308 5/1981 Sroub ..... D6/347  
D. 263,908 4/1982 Imber ..... D6/487 X

**OTHER PUBLICATIONS**

"Fiesta Royale Glider", Jack-Post Corp. Adv., No.  
FRGL, Reference Submitted by applicant, ©1984.

*Primary Examiner*—Bruce W. Dunkins

*Assistant Examiner*—Ann Hunt

*Attorney, Agent, or Firm*—Stephen G. Rudisill

[57]

**CLAIM**

The ornamental design for glider, as shown and de-  
scribed.

**DESCRIPTION**

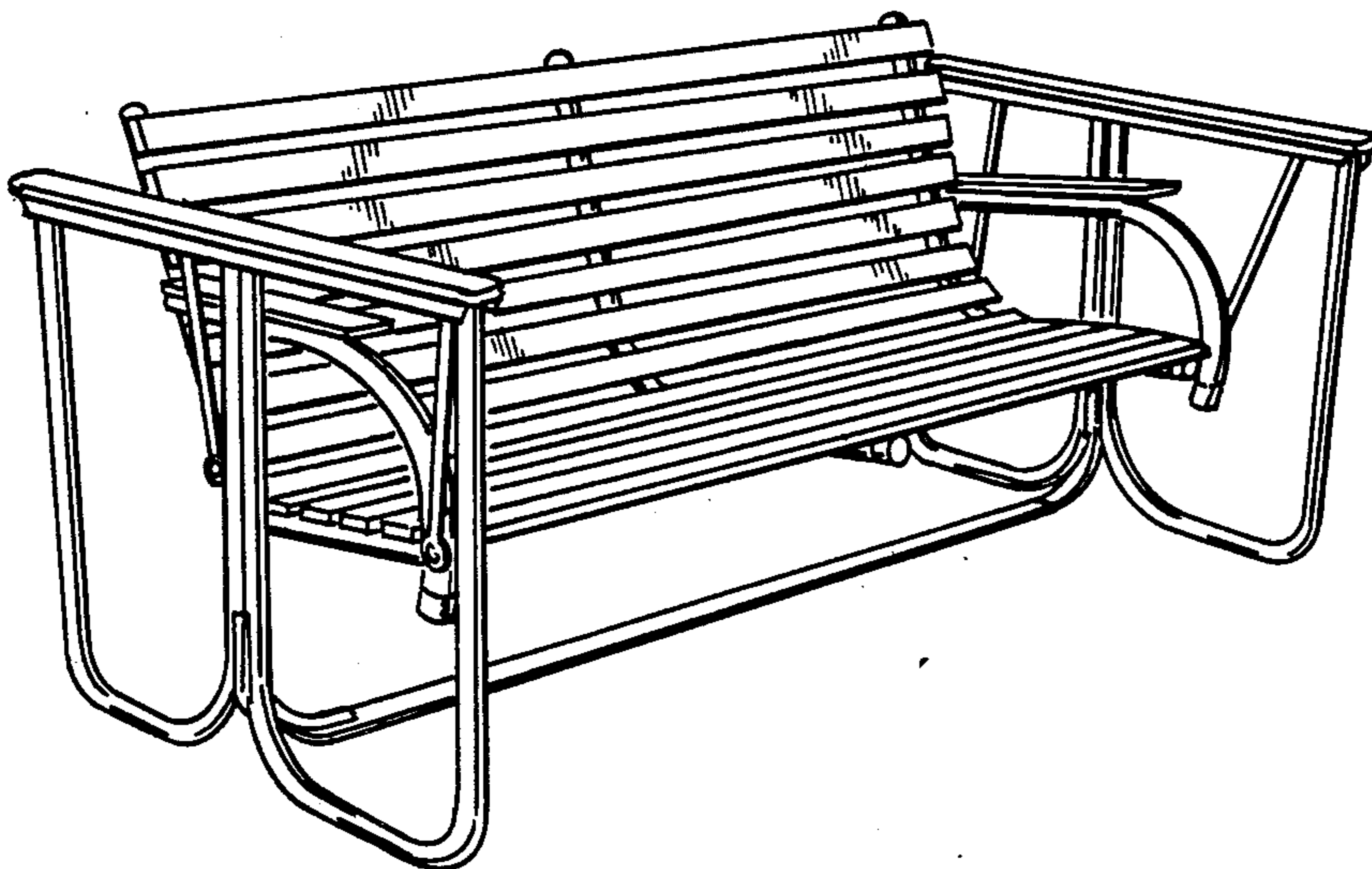
FIG. 1 is a front perspective view of the glider showing  
our new design;

FIG. 2 is an end elevation view;

FIG. 3 is a top view;

FIG. 4 is a front elevational view; and

FIG. 5 is a rear elevational view thereof.



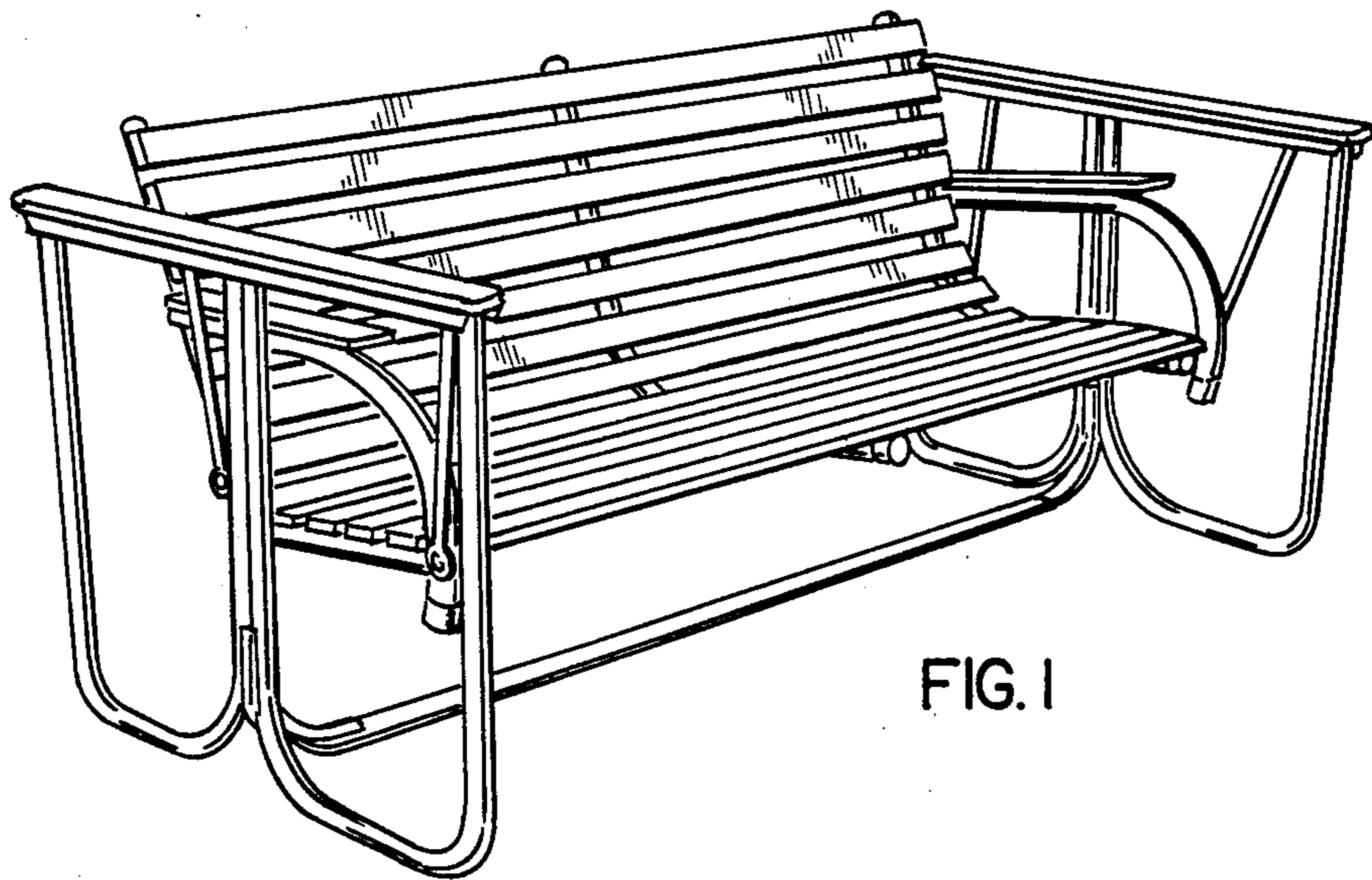


FIG. 1

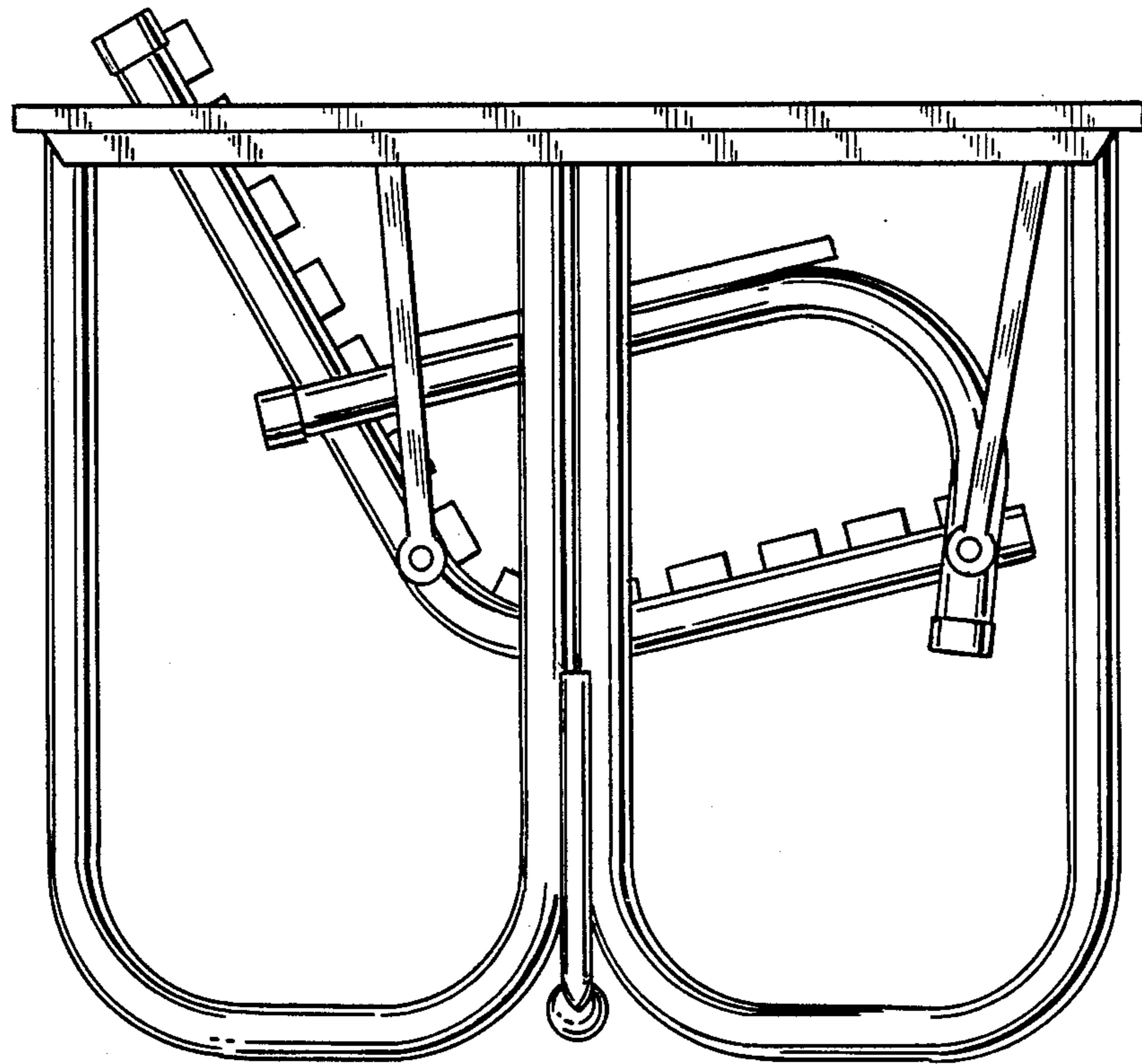


FIG. 2

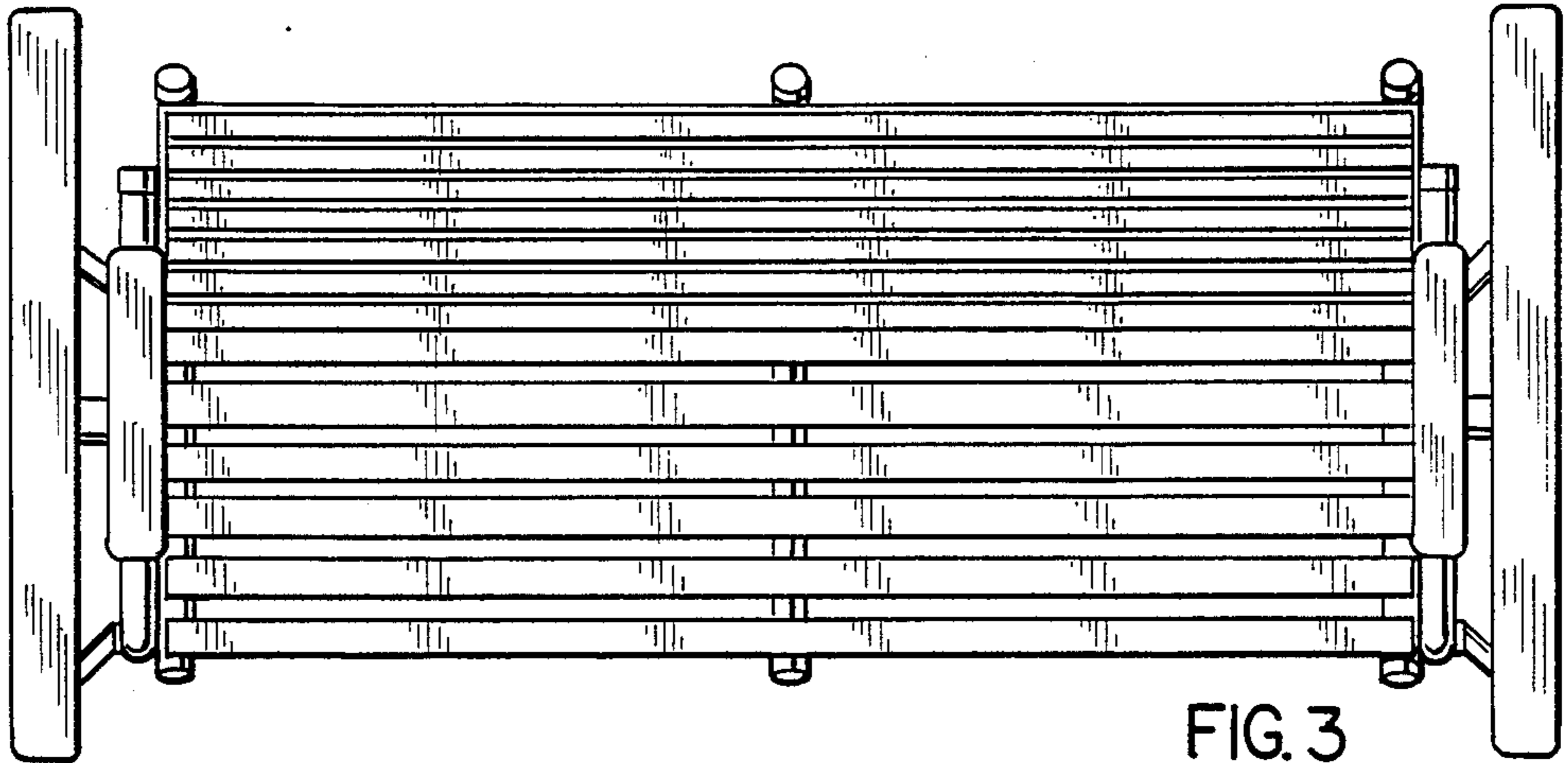


FIG. 3

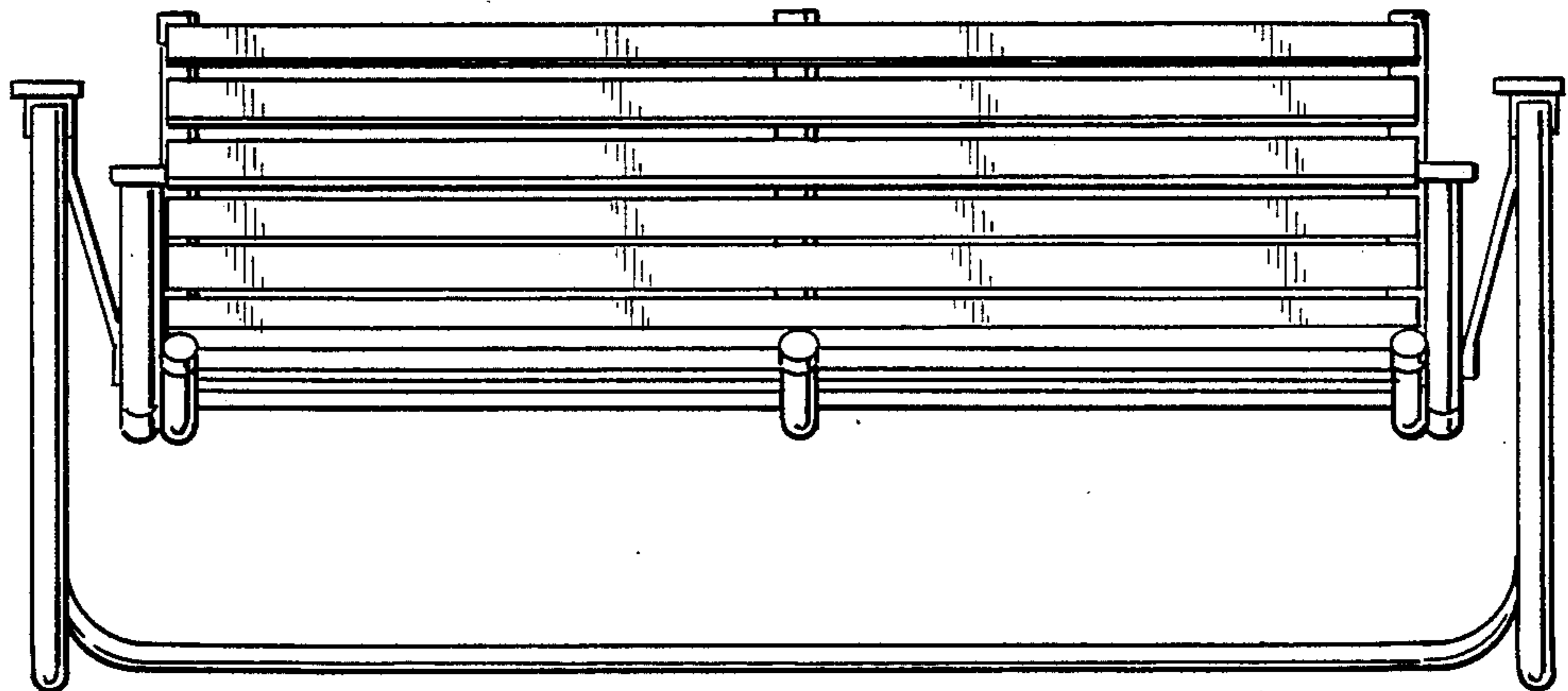


FIG. 4

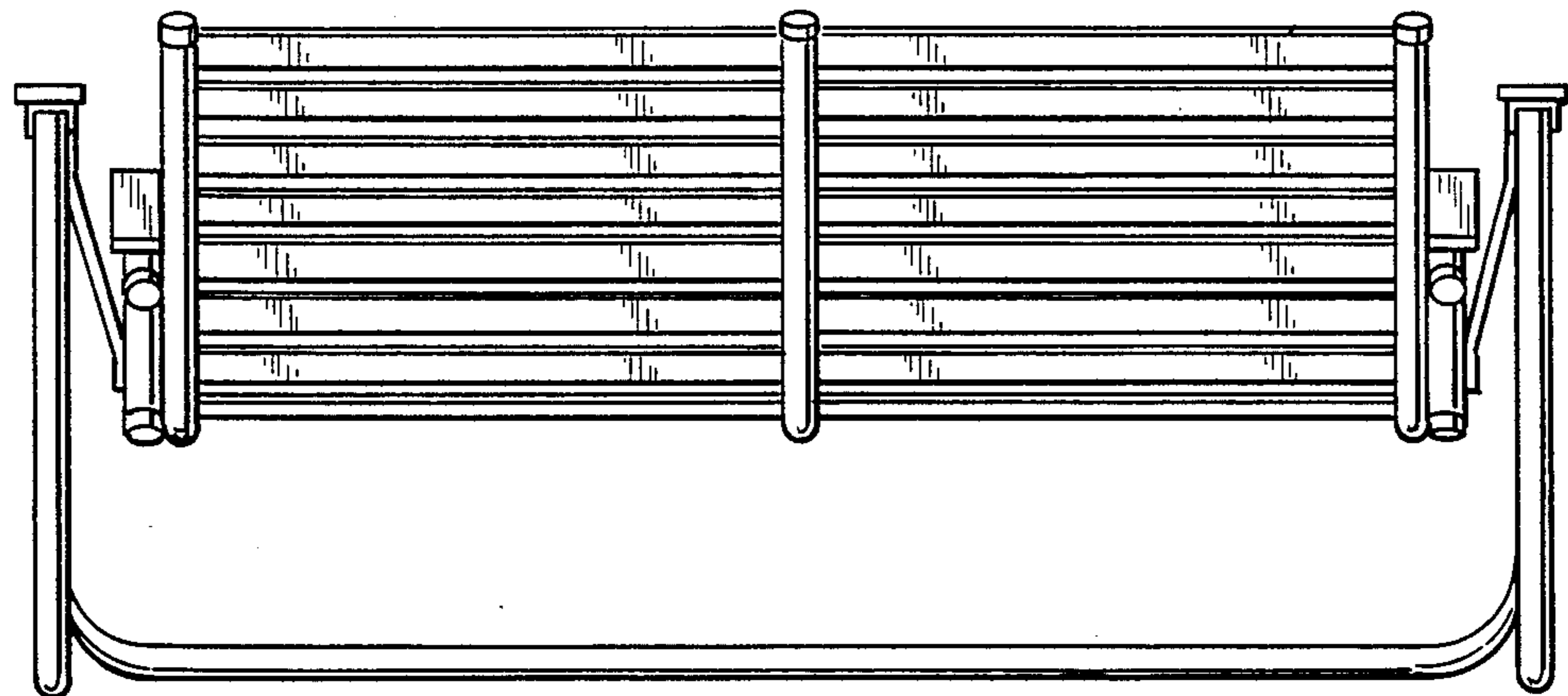


FIG. 5