

[54] FREE STANDING PORTABLE ADJUSTABLE MIRROR

896,658 8/1908 McGiehan D6/302 X
1,451,236 4/1923 Stanfield 350/615

[76] Inventor: Carmen L. Gertson, 14811 Nicholas, Houston, Tex. 77085

Primary Examiner—Charles A. Rademaker
Assistant Examiner—Terry A. Pfeffer
Attorney, Agent, or Firm—Jerry T. Kearns

[**] Term: 14 Years

[21] Appl. No.: 162,855

[57] CLAIM

[22] Filed: Mar. 2, 1988

The ornamental design for a free standing portable adjustable mirror, as shown and described.

[52] U.S. Cl. D6/302

DESCRIPTION

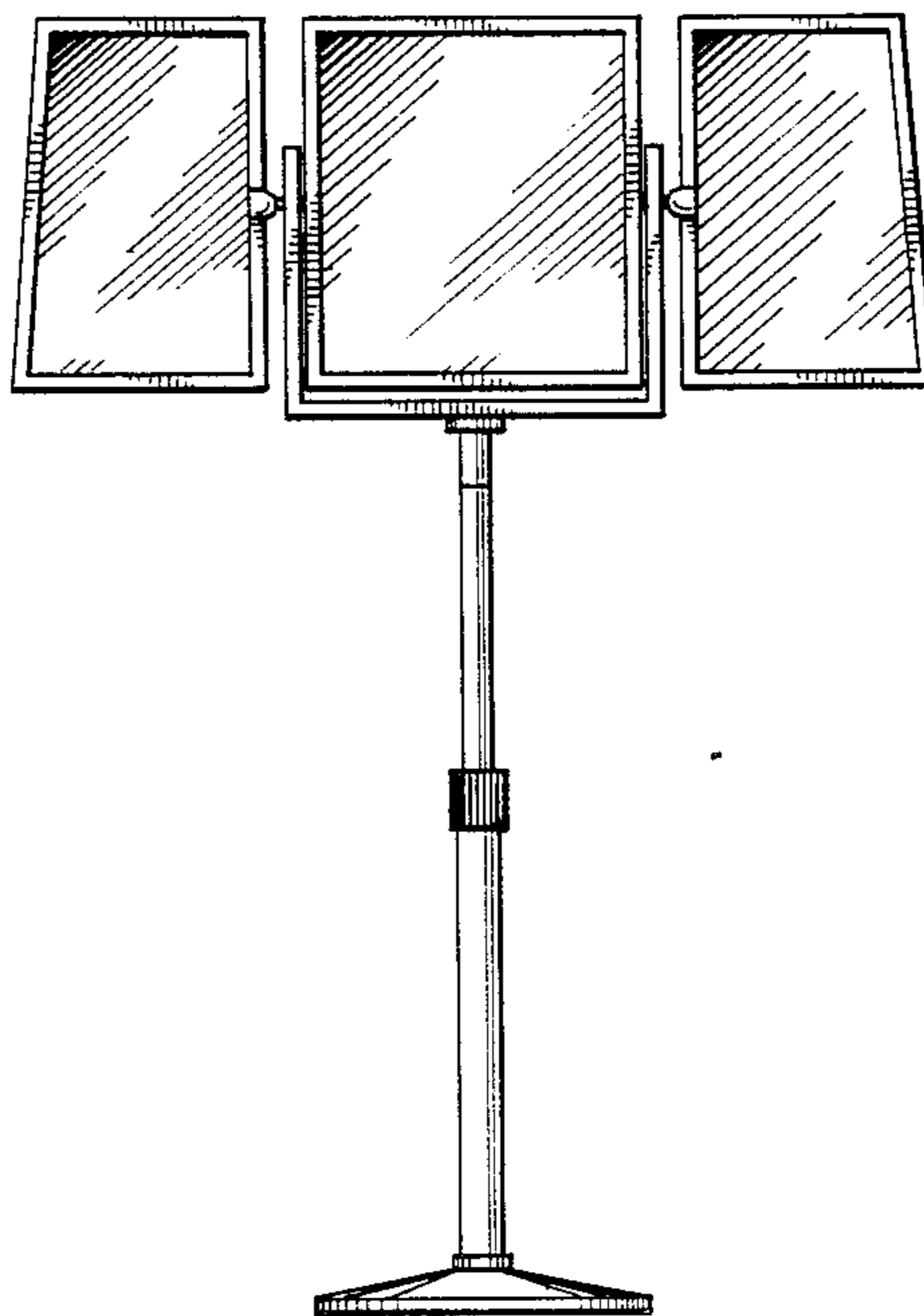
[58] Field of Search D6/300-314;
40/152; 248/469, 474, 161, 411; 350/600, 612,
615, 631, 632

FIG. 1 is a front elevational view of a free standing portable adjustable mirror showing my new design;
FIG. 2 is a rear elevational view thereof;
FIG. 3 is a left side elevational view thereof;
FIG. 4 is a right side elevational view thereof;
FIG. 5 is a top plan view thereof; and,
FIG. 6 is a bottom plan view thereof.

[56] References Cited

U.S. PATENT DOCUMENTS

D. 241,800 10/1976 Johnson et al. D6/301



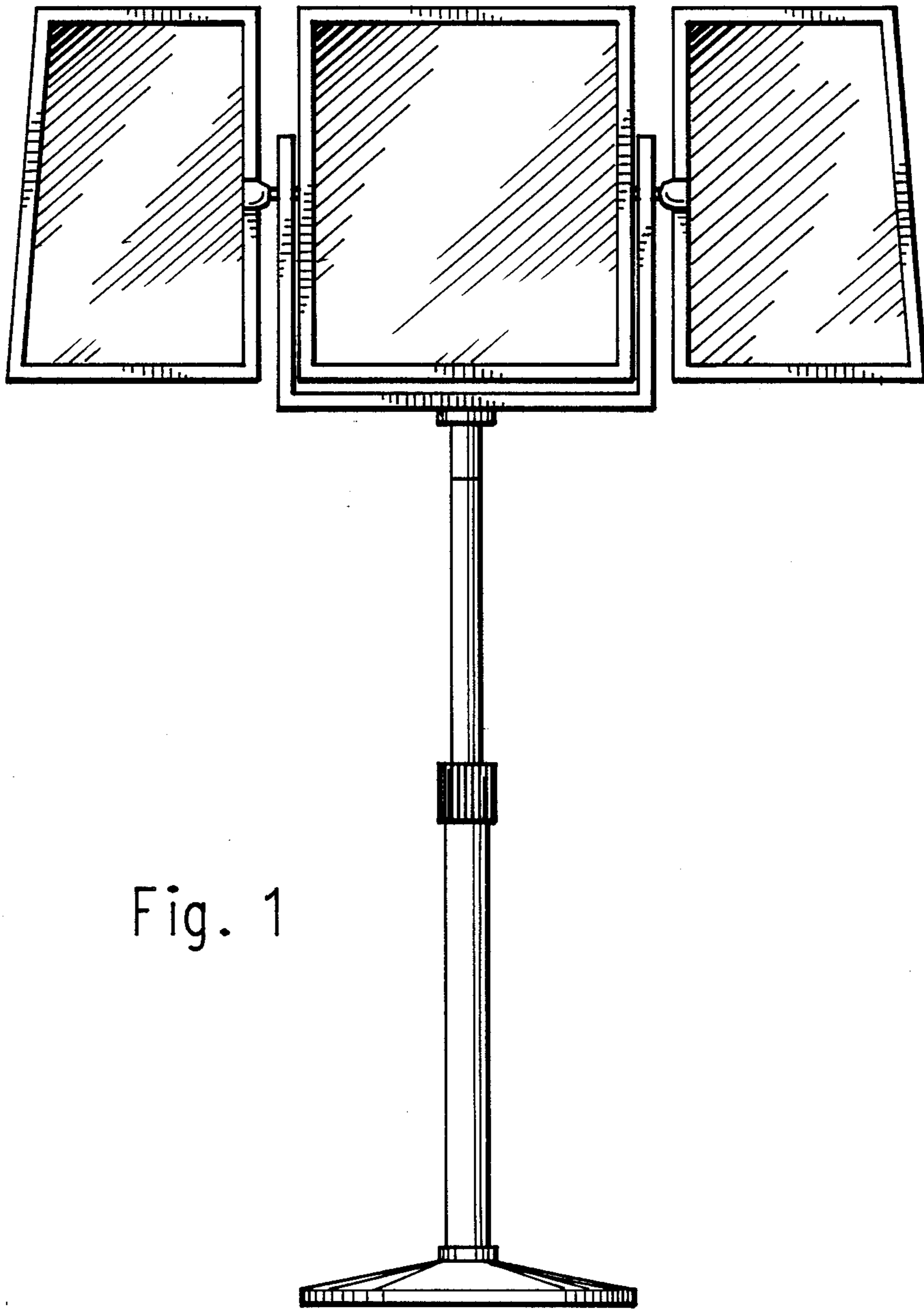


Fig. 1

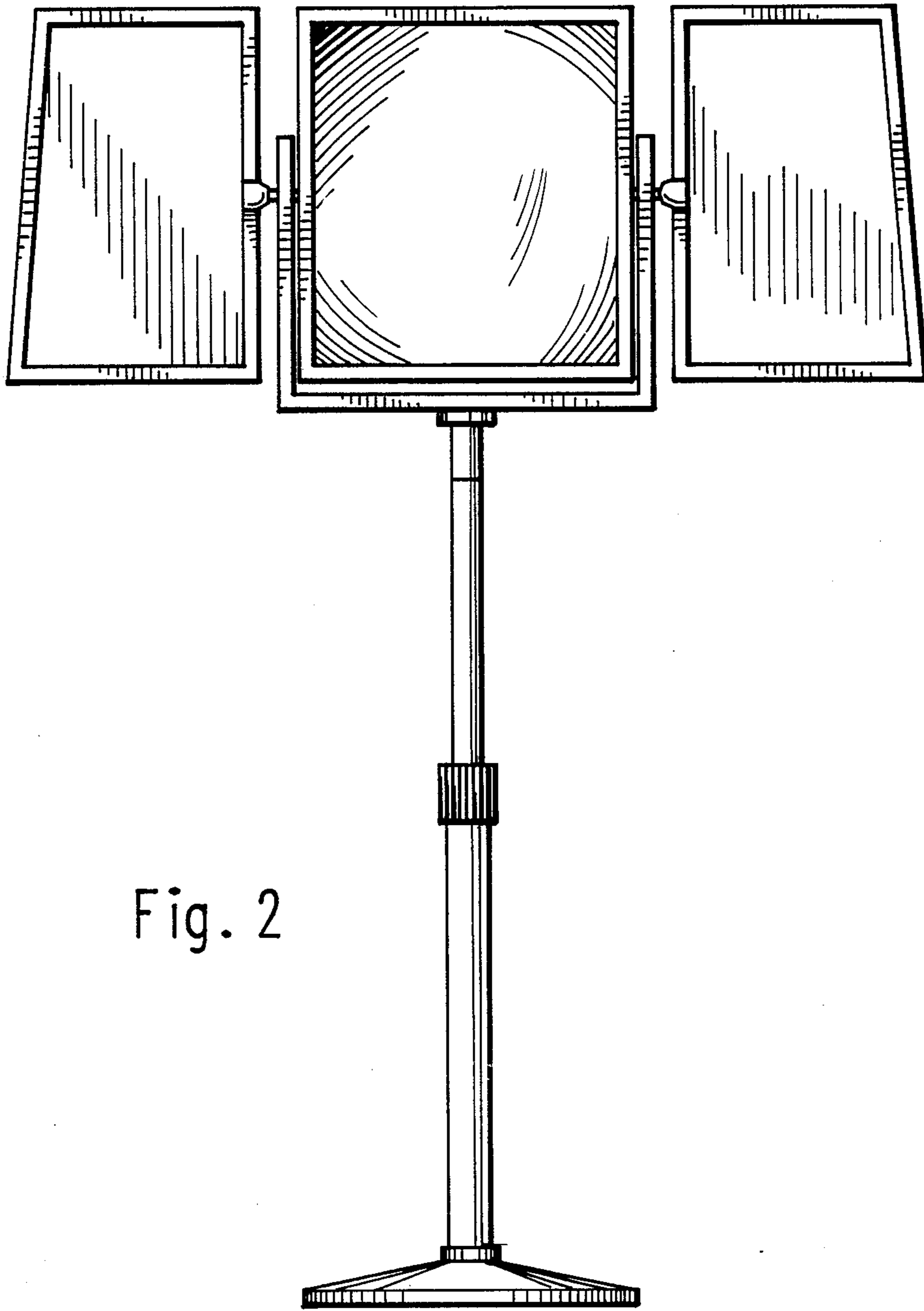


Fig. 2

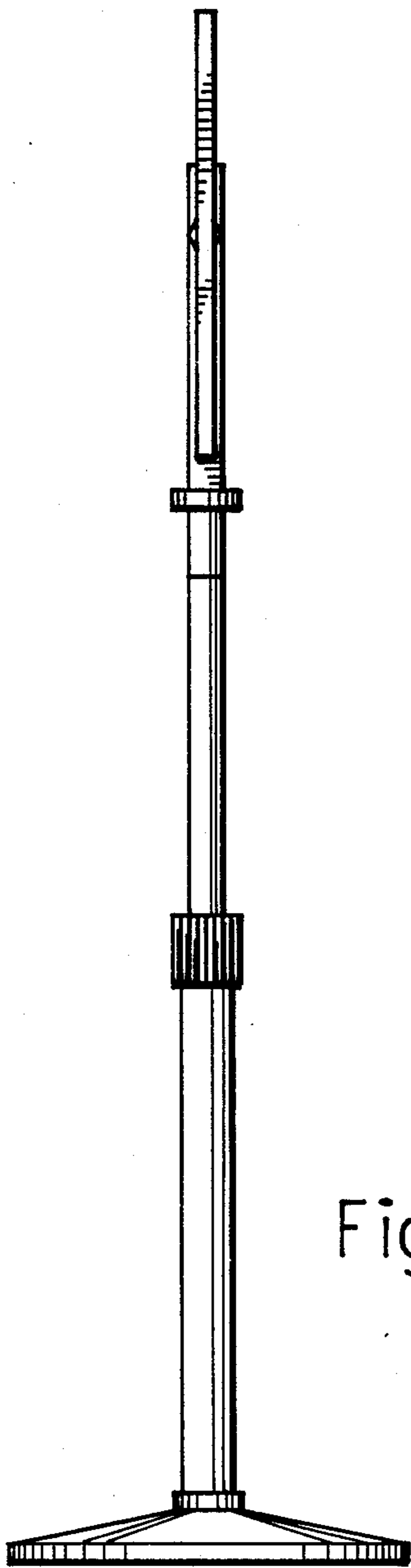


Fig. 3

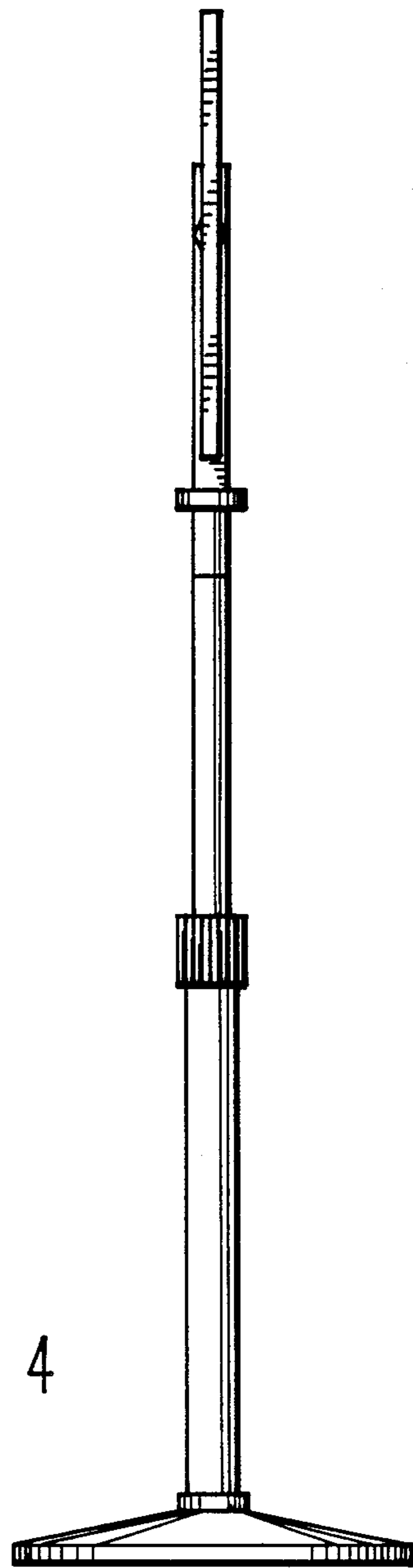


Fig. 4

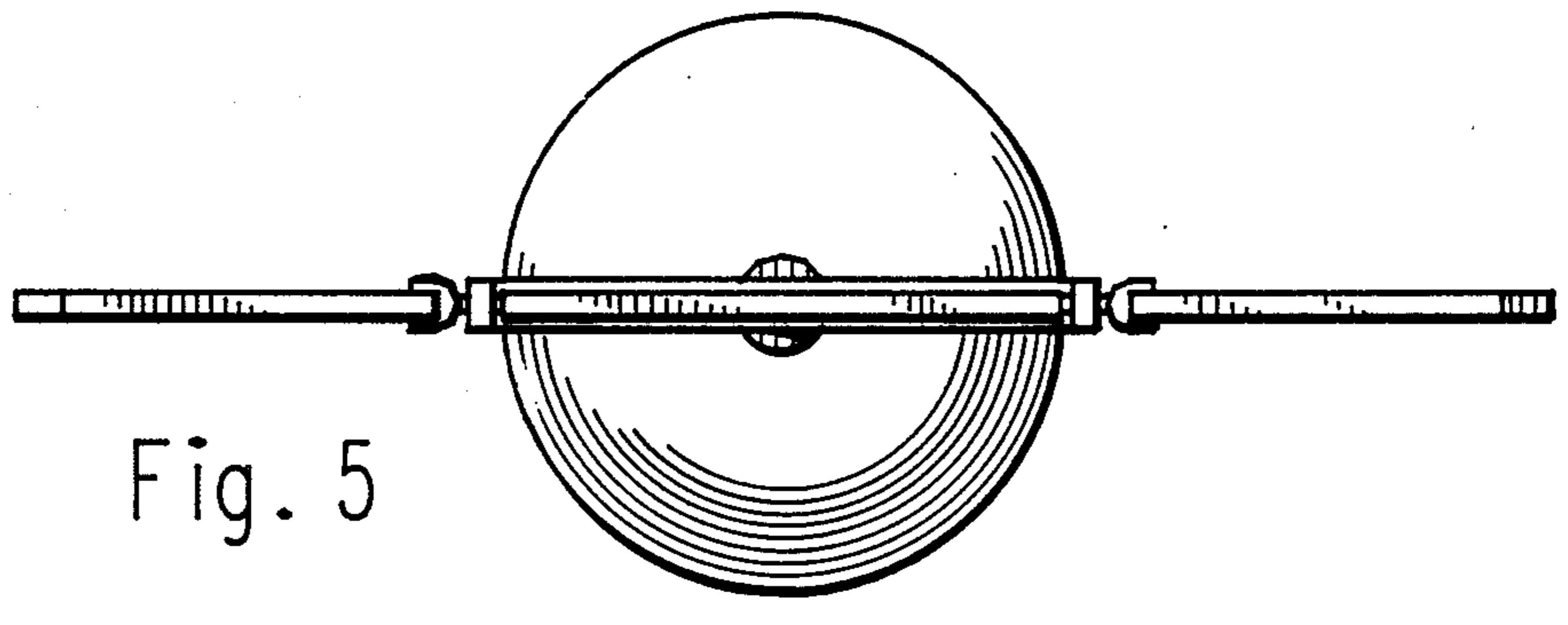


Fig. 5

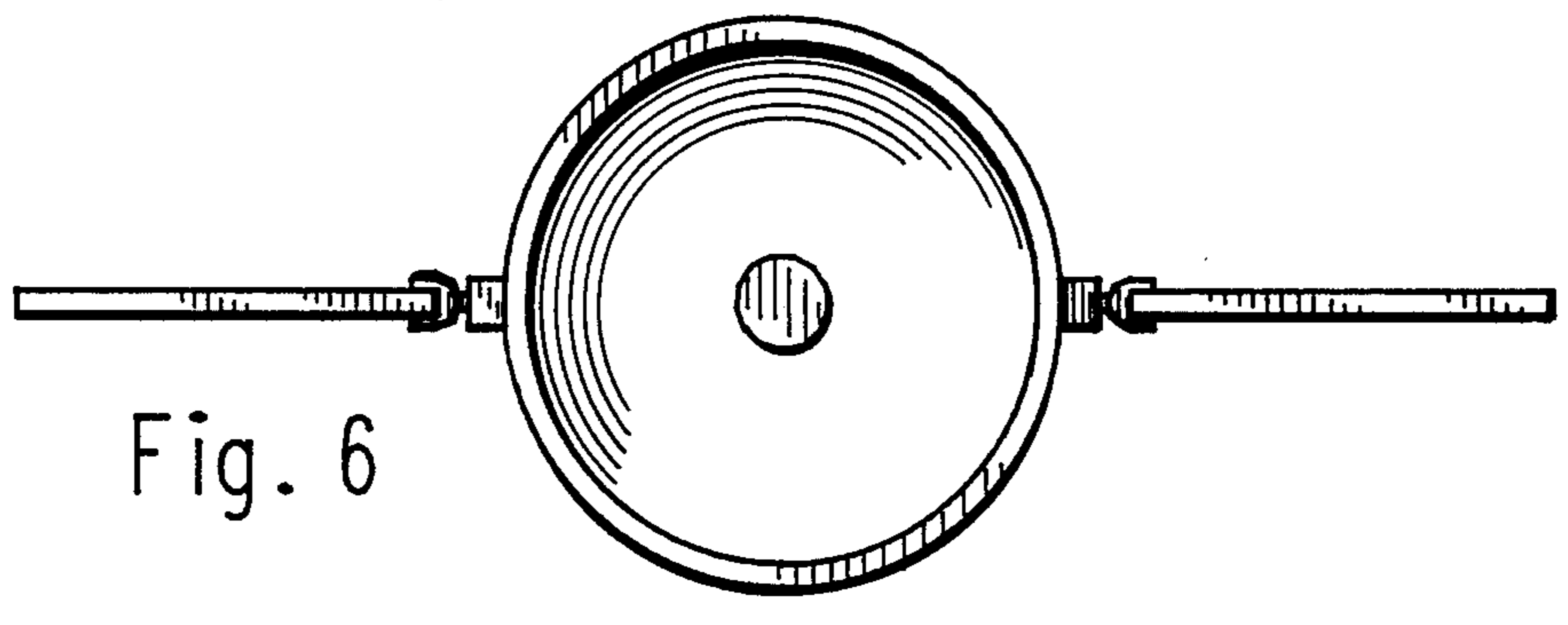


Fig. 6