

[54] CAR CADDY

[75] Inventor: Cornelius D. Page, Jr., Lincolnton, N.C.

[73] Assignee: Allied Plastics, Inc., Gastonia, N.C.

[**] Term: 14 Years

[21] Appl. No.: 108,358

[22] Filed: Oct. 13, 1987

[52] U.S. Cl. D3/40; D3/35

[58] Field of Search D3/40, 74, 35; D7/38, D7/70; 224/42.11, 42.42, 273, 275, 327, 329

[56] References Cited

U.S. PATENT DOCUMENTS

D. 208,217	8/1967	Castloo	D3/40
D. 232,871	9/1974	George et al.	D3/40
D. 264,525	5/1982	Page, Jr.	D3/40
D. 271,442	11/1983	Lehner	D3/40

Primary Examiner—Louis S. Zarfes
Attorney, Agent, or Firm—Bell, Seltzer, Park & Gibson

[57] CLAIM

The ornamental design for a car caddy, as shown.

DESCRIPTION

FIG. 1 is a front perspective view of a car caddy embodying my new design;

FIG. 2 is a rear perspective view of the car caddy as shown in FIG. 1;

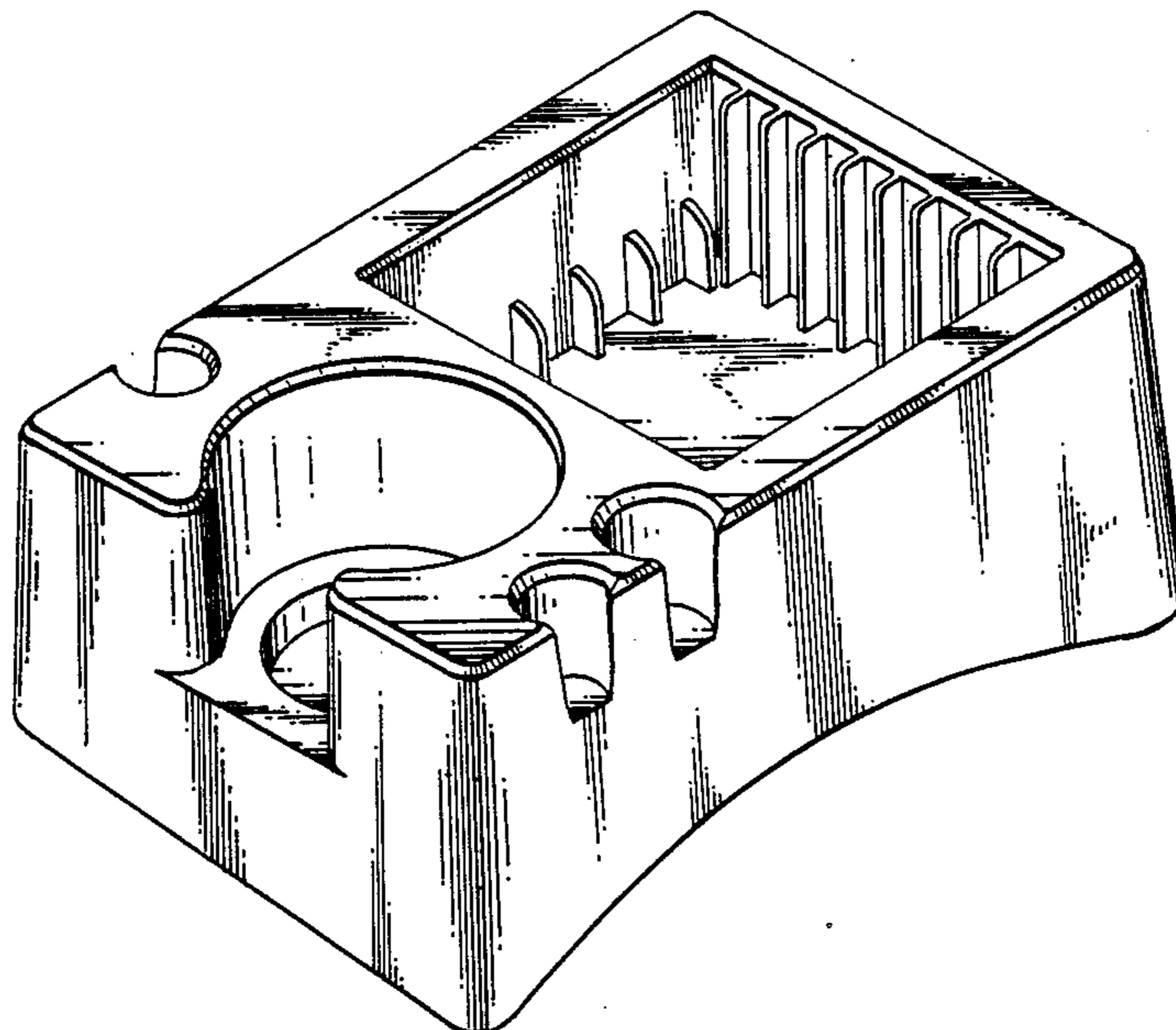
FIG. 3 is a top plan view thereof on a reduced scale;

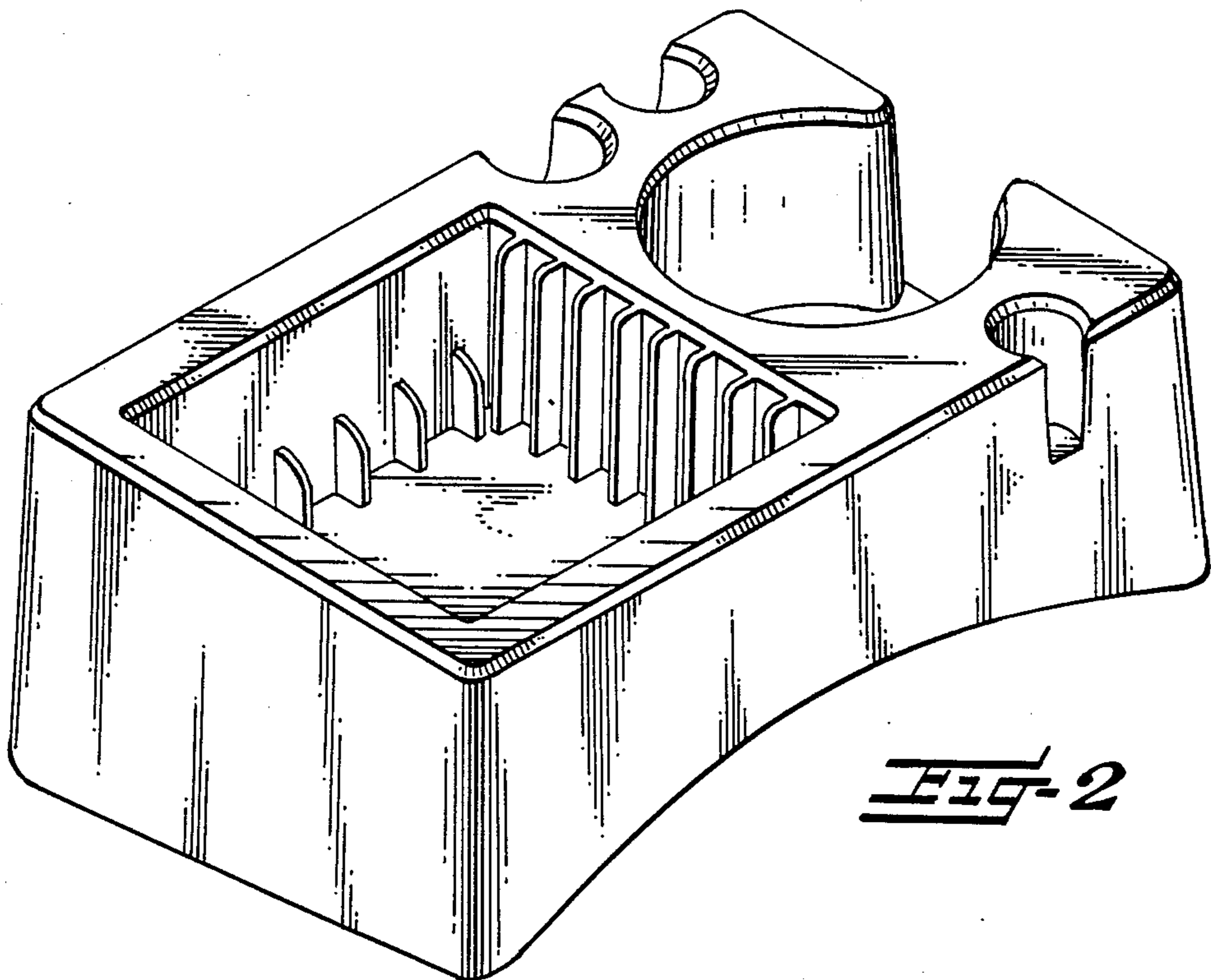
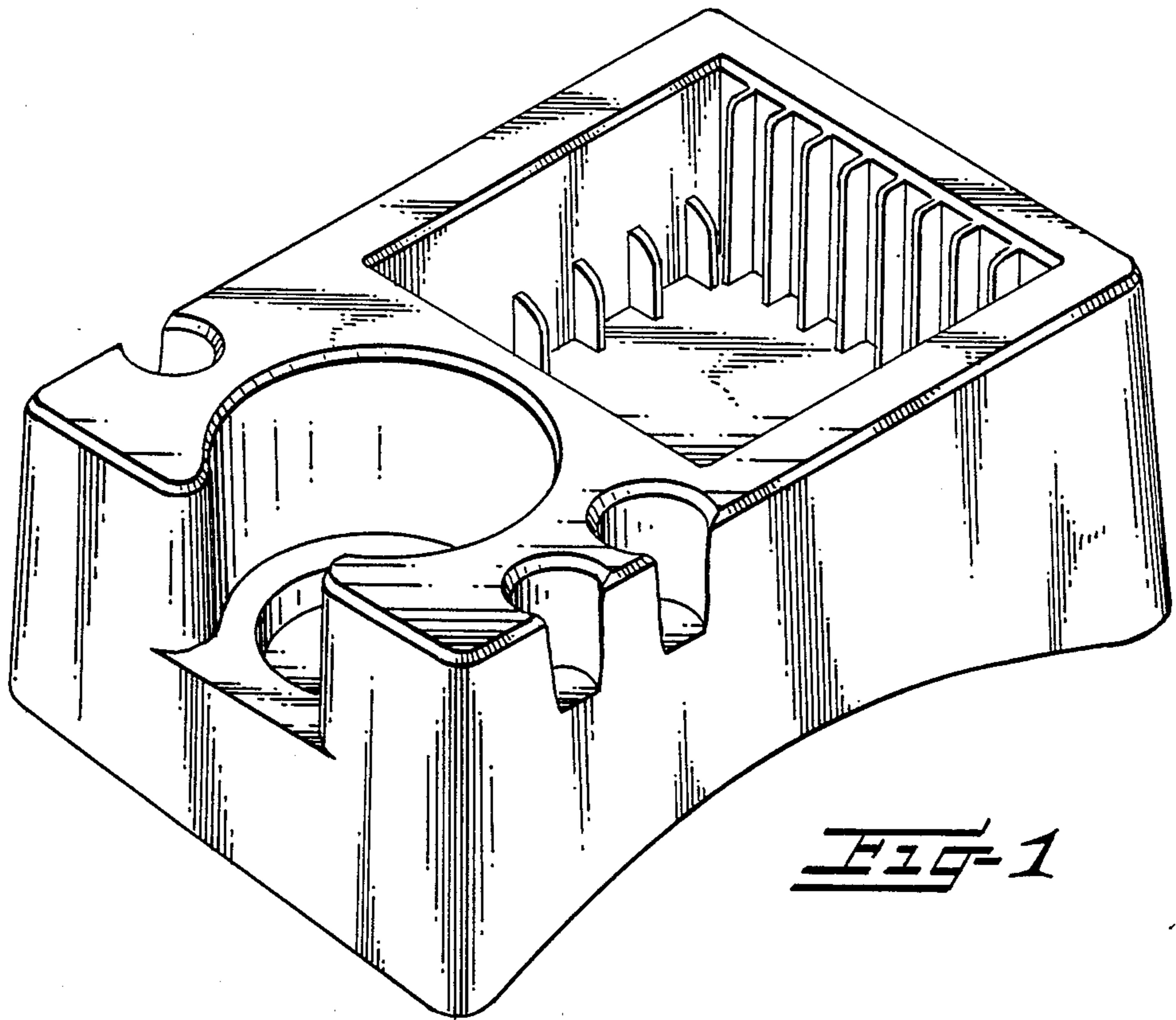
FIG. 4 is a front elevational view thereof as seen in the direction of the arrow 4 in FIG. 3;

FIG. 5 is an end elevational view thereof as viewed in the direction of the arrow 5 in FIG. 4;

FIG. 6 is an end elevational view thereof as viewed in the direction of the arrow 6 in FIG. 4; and

FIG. 7 is a rear elevational view thereof as viewed in the direction of the arrow 7 in FIG. 3.





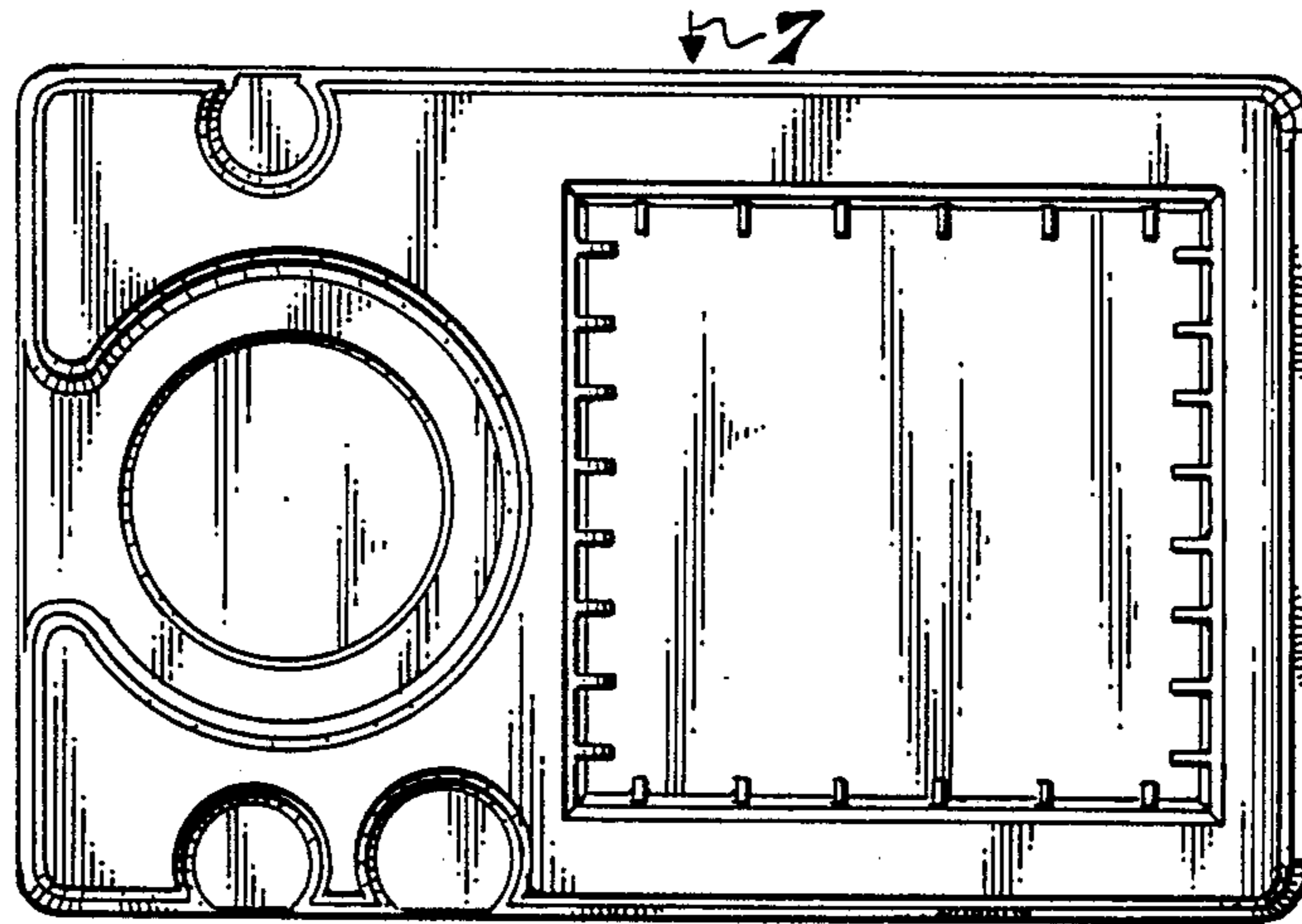


FIG-3 ↓ 7

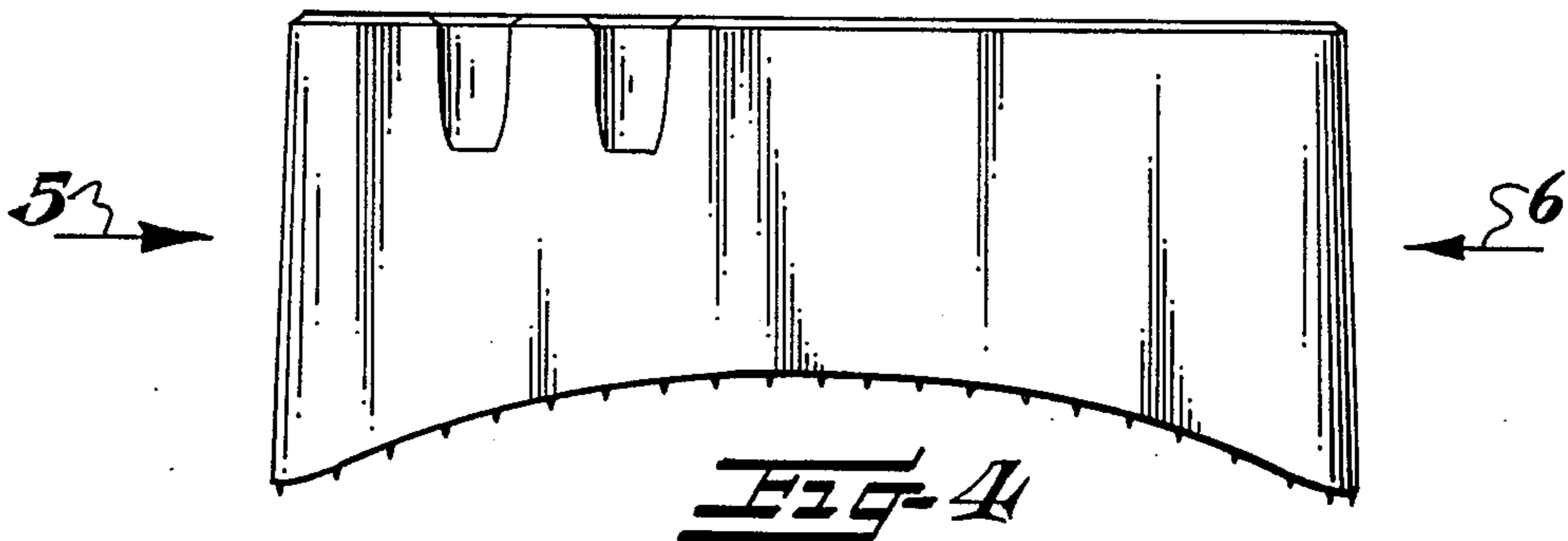


FIG-4

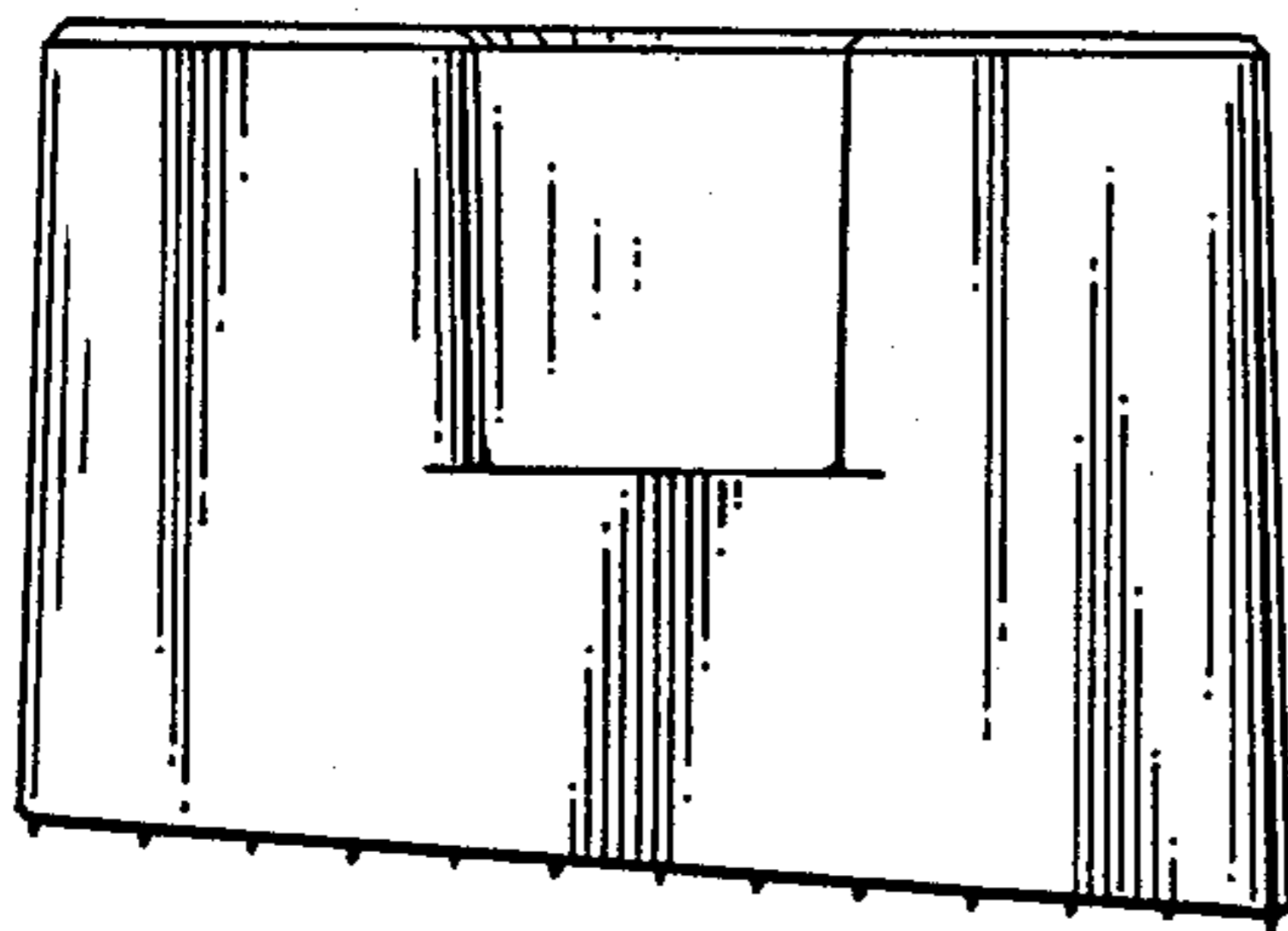


FIG-5

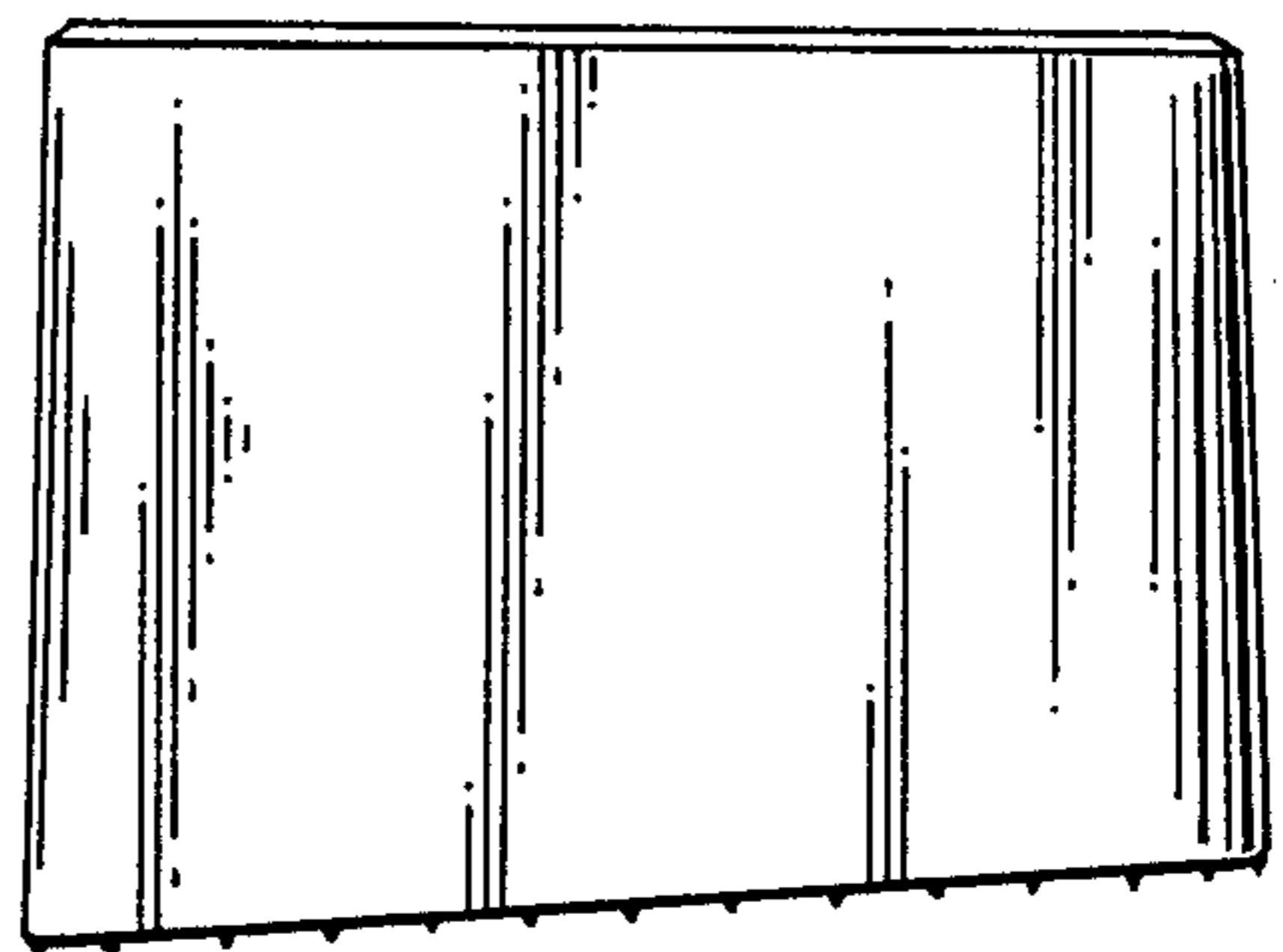


FIG-6

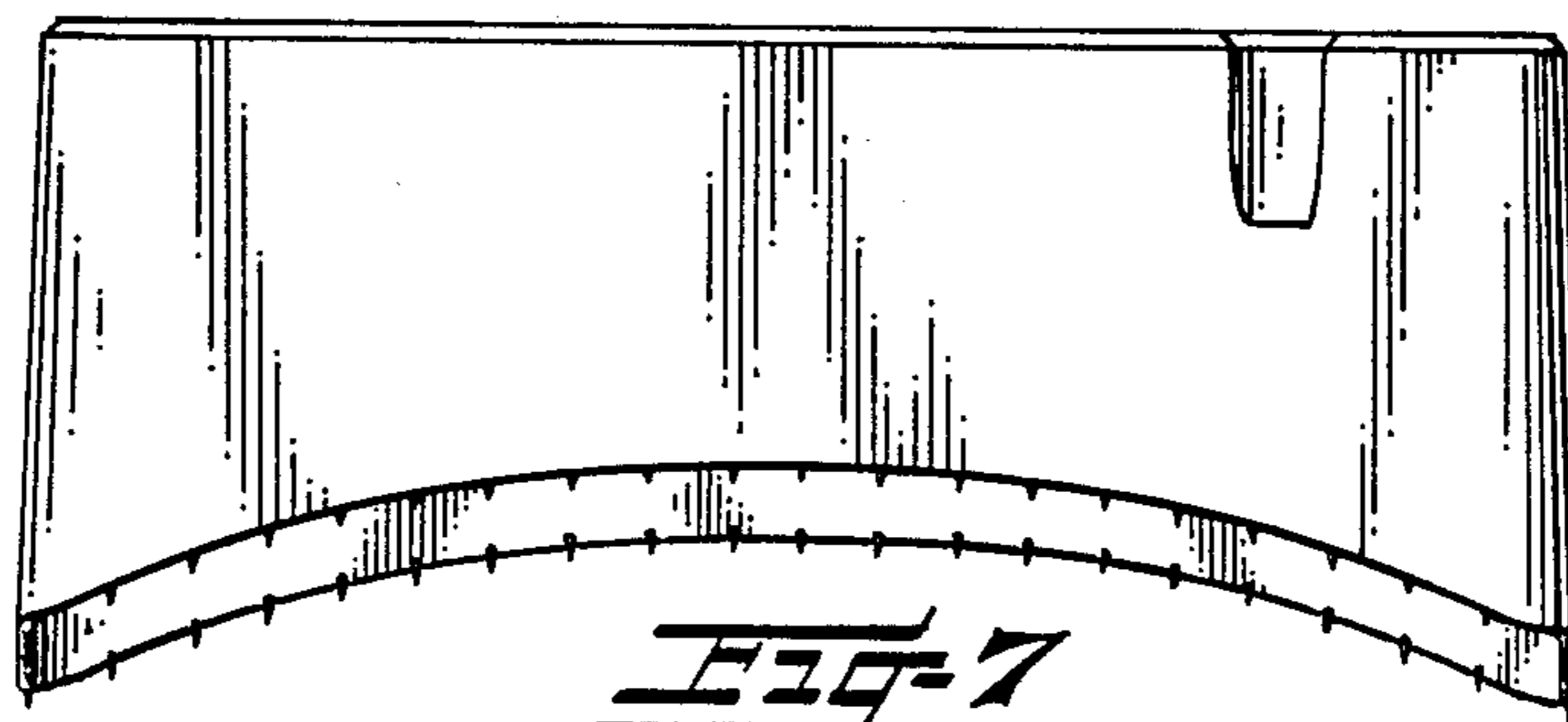


FIG-7