

[54] CASE

[76] Inventors: David G. Knotter, 3522 E. Pasadena Ave., Phoenix, Ariz. 85018; Jody L. Numbers, 7908 E. Oak, Scottsdale, Ariz. 85257

[**] Term: 14 Years

[21] Appl. No.: 912,817

[22] Filed: Sep. 29, 1986

[52] U.S. Cl. D3/30.1

[58] Field of Search D3/30.1, 39, 99, 106, D3/34; 190/100, 101, 102, 103, 104, 105, 106, 107, 108, 109, 110, 111, 112, 113, 114; 206/530, 533, 540, 581, 528; D9/423, 432, 426, 349, 362; 220/30 G, 315

[56] References Cited

U.S. PATENT DOCUMENTS

D. 189,267	11/1960	Siltén	D3/73 X
D. 281,827	12/1985	Bakic	D9/426 X
1,986,057	1/1935	Hackworth	220/306
2,085,054	6/1937	Trevisan	220/306
4,159,568	7/1979	Berner	206/528 X

Primary Examiner—James R. Largen

Assistant Examiner—Y. Brunot

Attorney, Agent, or Firm—Cahill, Sutton & Thomas

[57] CLAIM

The ornamental design for a case, as shown and described.

DESCRIPTION

FIG. 1 is a top perspective view of a case showing our new design;

FIG. 2 is a front elevational view thereof;

FIG. 3 is a left end elevational view thereof;

FIG. 4 is a bottom plan view thereof;

FIG. 5 is a rear elevational view thereof; and

FIG. 6 is a right end elevational view thereof.

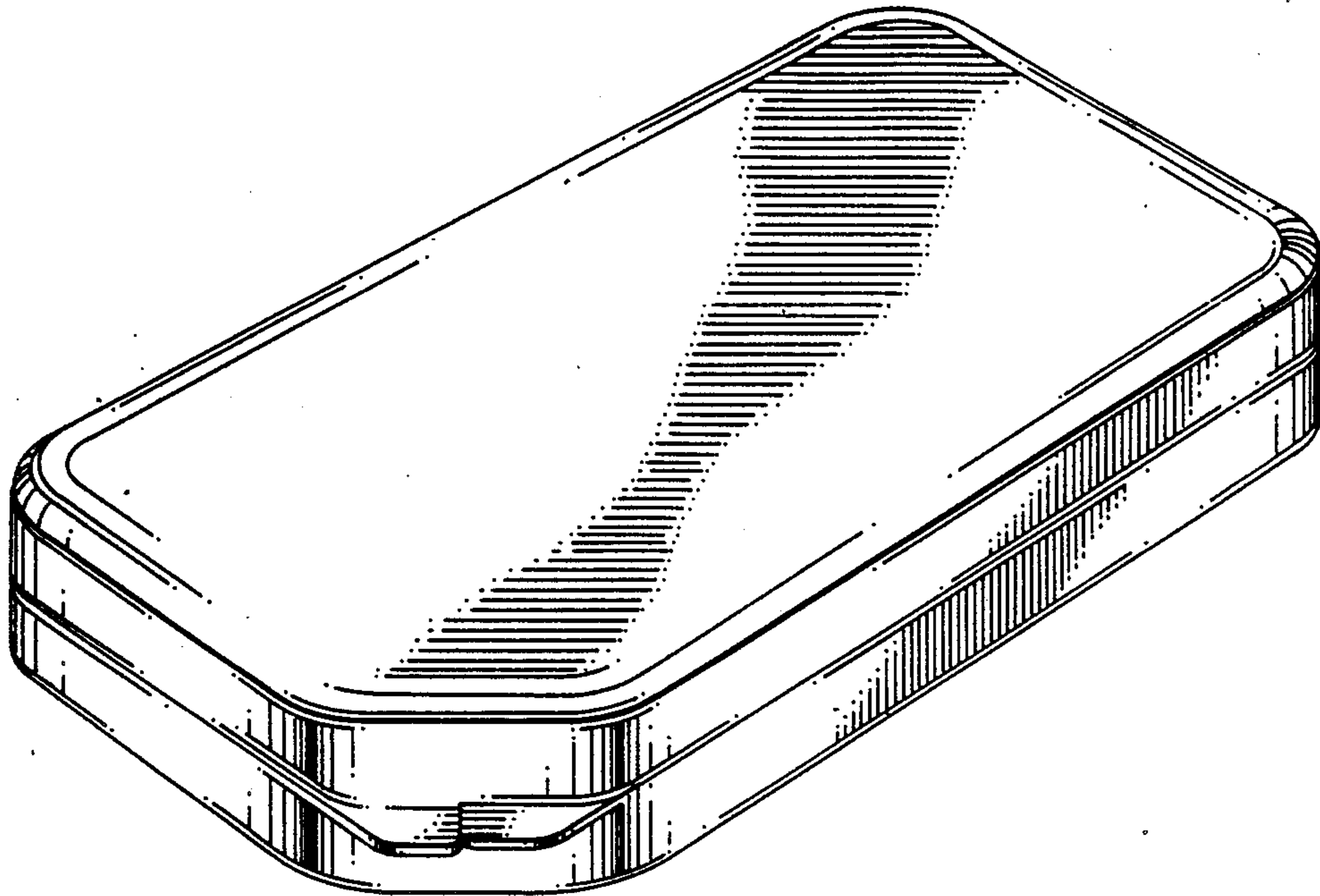


FIG. 1

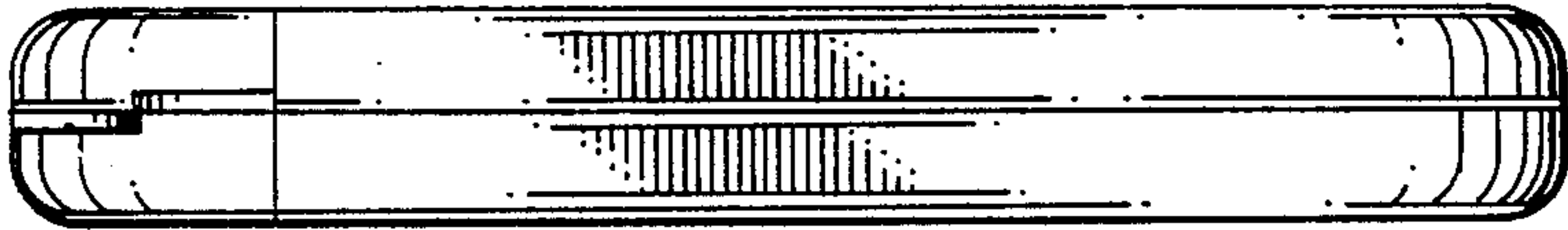
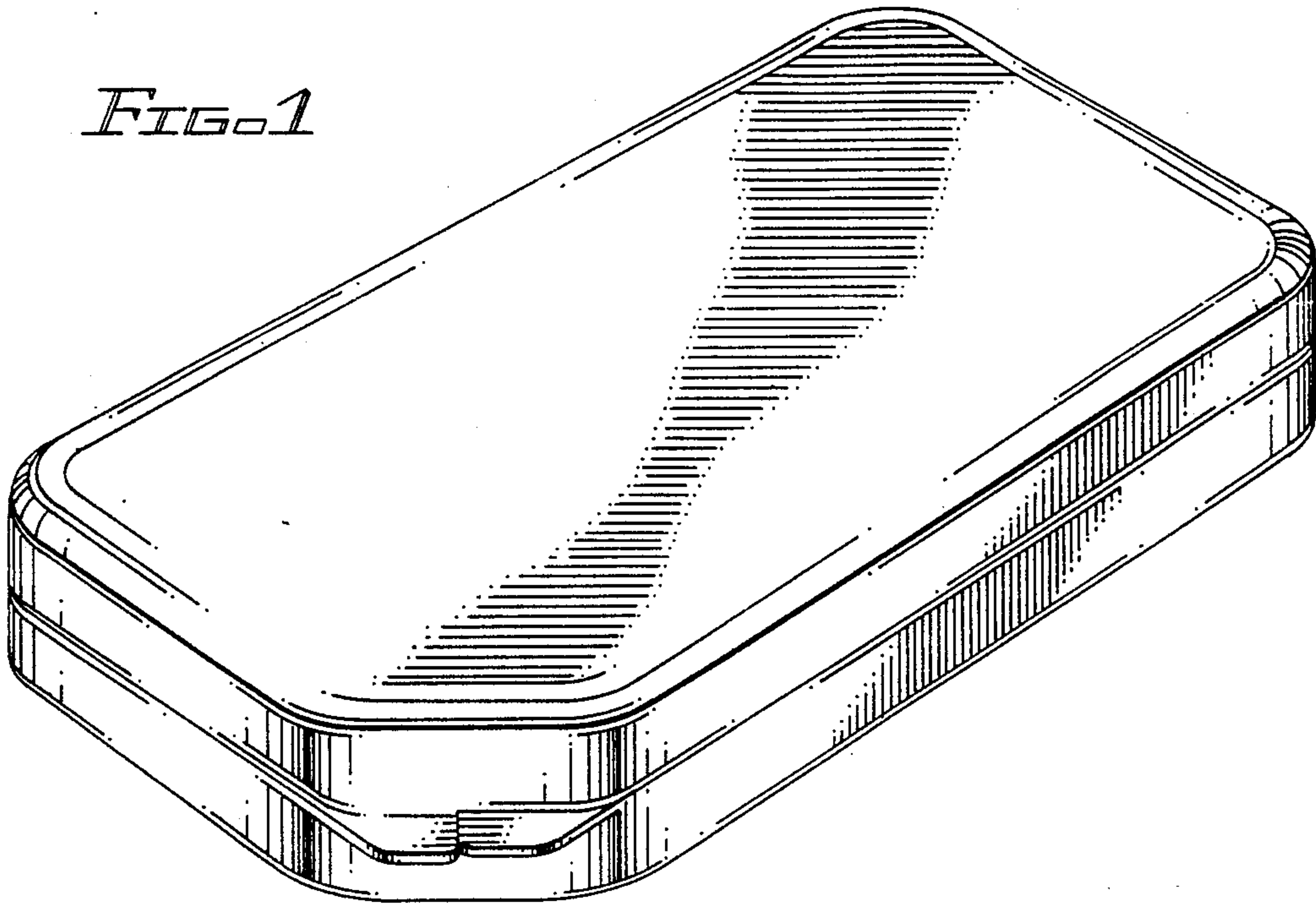


FIG. 2

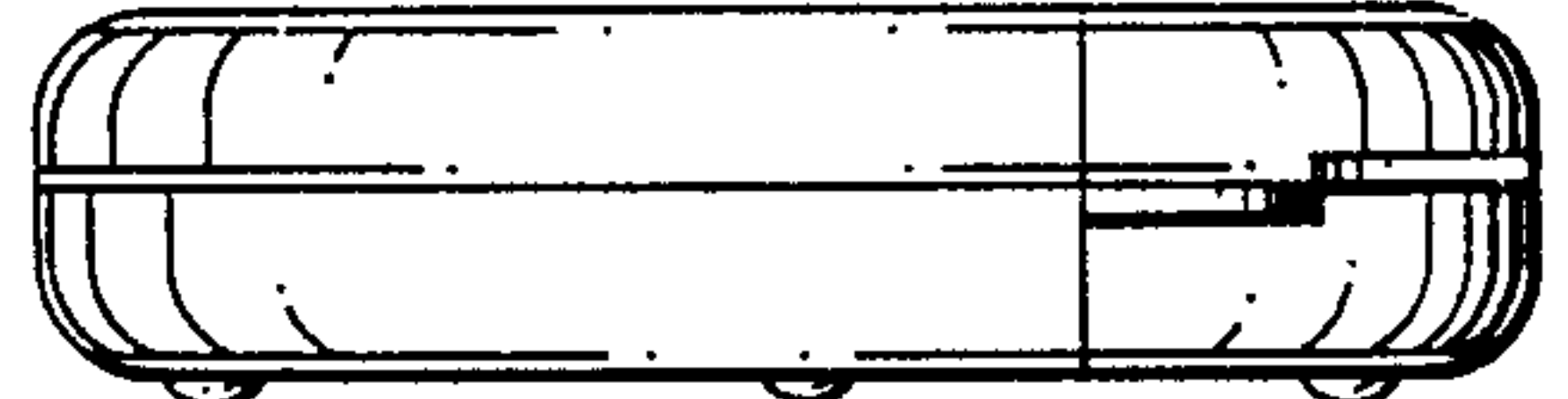


FIG. 3

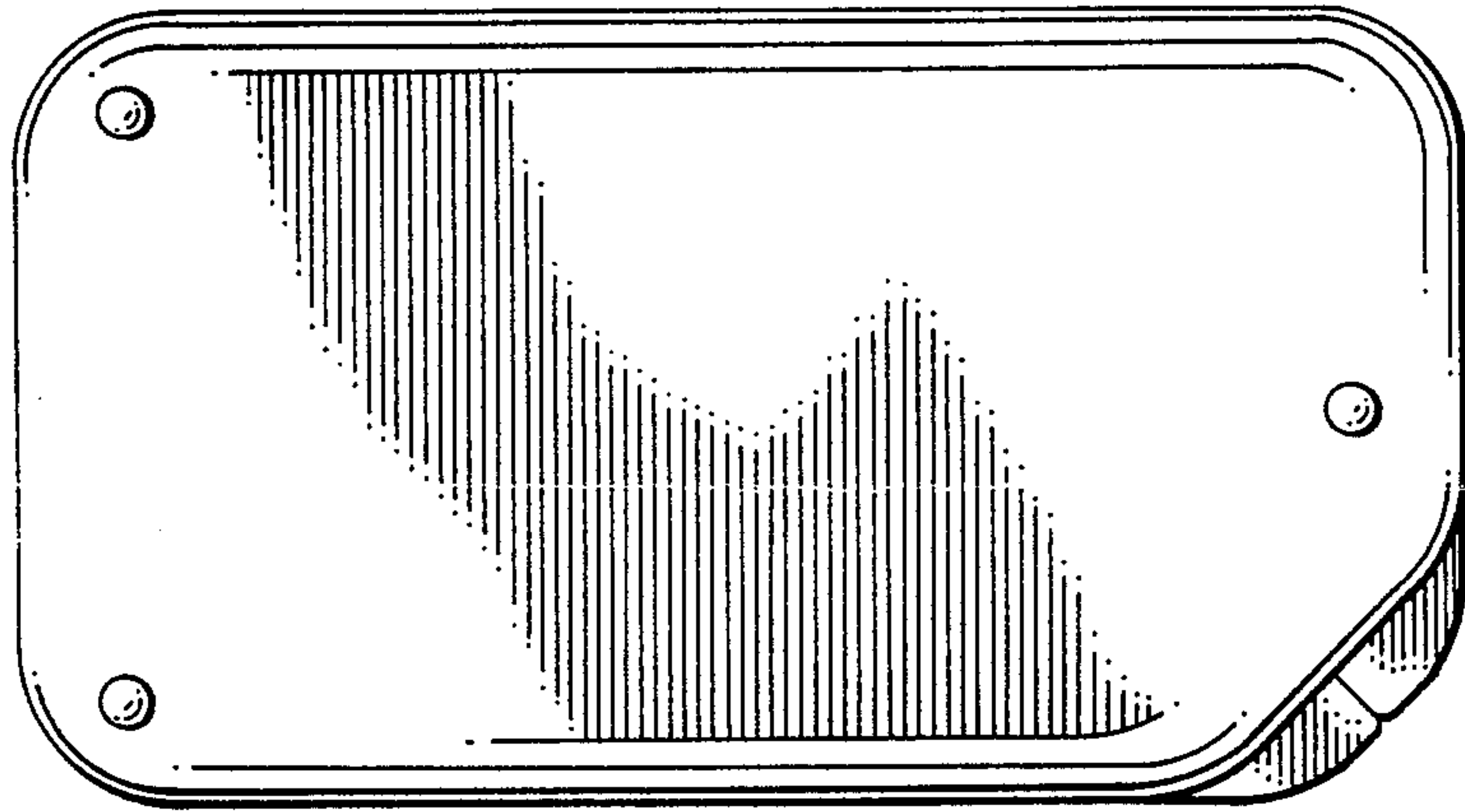


FIG. 4

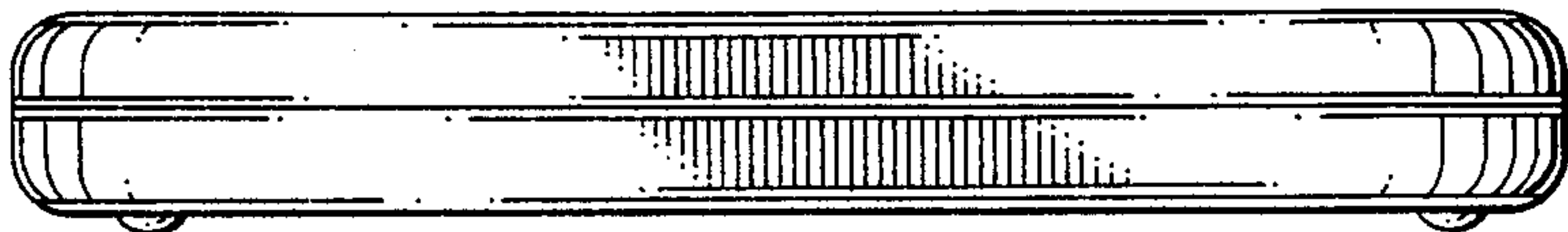


FIG. 5

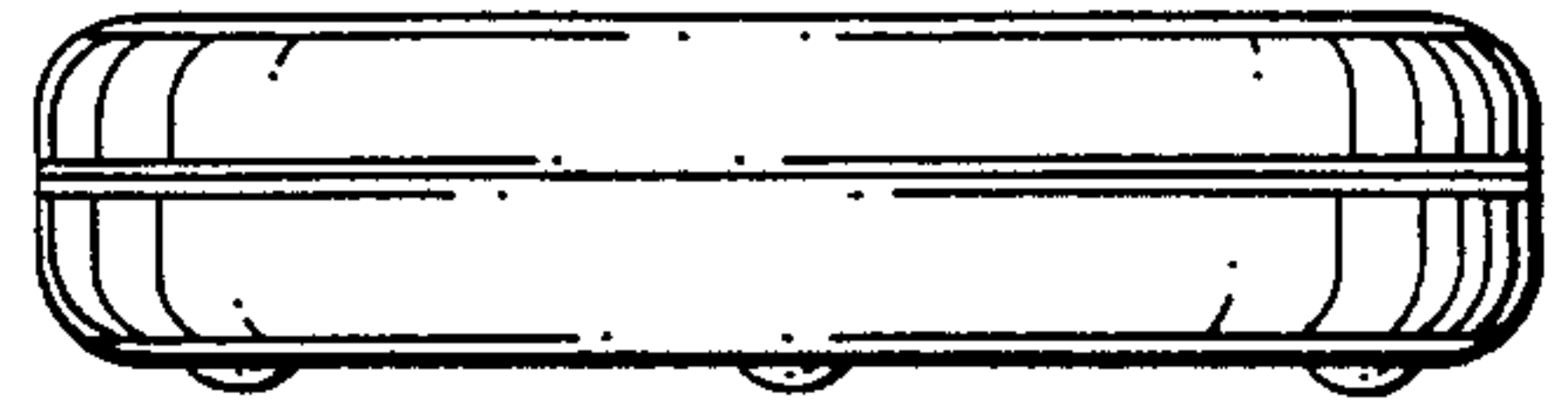


FIG. 6