

[54] BEVERAGE CASE
 [75] Inventor: Thomas Box, Tinton Falls, N.J.
 [73] Assignee: Spectrum International, Inc., Tinton Falls, N.J.
 [**] Term: 14 Years
 [21] Appl. No.: 129,053
 [22] Filed: Dec. 7, 1987
 [52] U.S. Cl. D34/43
 [58] Field of Search D34/40-46; D9/424, 425, 427, 429, 432; 206/139, 142, 201, 203, 499-513, 427, 429, 821; 220/1.5, 71-74, 83, 84, DIG. 2, DIG. 12, DIG. 15

3,655,088 4/1972 Box .
 3,659,743 5/1972 Box .
 3,675,815 7/1972 Rehrig 206/507
 3,682,351 8/1972 De Putter .
 3,997,055 12/1976 Box .
 3,998,327 12/1976 Box .
 3,998,328 12/1976 Box .
 4,190,172 2/1980 Box .
 4,197,958 4/1980 Zeni et al. .
 4,320,845 3/1982 Waller .
 4,441,615 4/1984 Goorich .
 4,478,156 10/1984 Andersson 206/507
 4,548,320 10/1985 Box .

FOREIGN PATENT DOCUMENTS

2805880 2/1979 Fed. Rep. of Germany .
 1512202 1/1968 France .

[56] References Cited

U.S. PATENT DOCUMENTS

D. 236,804 9/1975 Stauble D34/43
 D. 239,260 3/1976 Gale D34/45
 D. 242,600 12/1976 Box .
 D. 245,760 9/1977 Box .
 D. 254,423 3/1980 Van Geem D34/43
 D. 258,803 4/1981 Box .
 D. 259,294 5/1981 Box .
 D. 261,194 10/1981 Box .
 D. 265,009 6/1982 Box .
 D. 266,709 10/1982 Box .
 D. 273,523 4/1984 Disesa D34/43
 3,245,572 4/1966 Mashy et al. 206/431 X
 3,361,293 1/1968 Box .
 3,392,875 7/1968 Bockenstette 206/507
 3,425,594 2/1969 Bridenstine 206/507
 3,568,879 3/1971 Box .
 3,628,684 12/1971 Sere 220/72 X

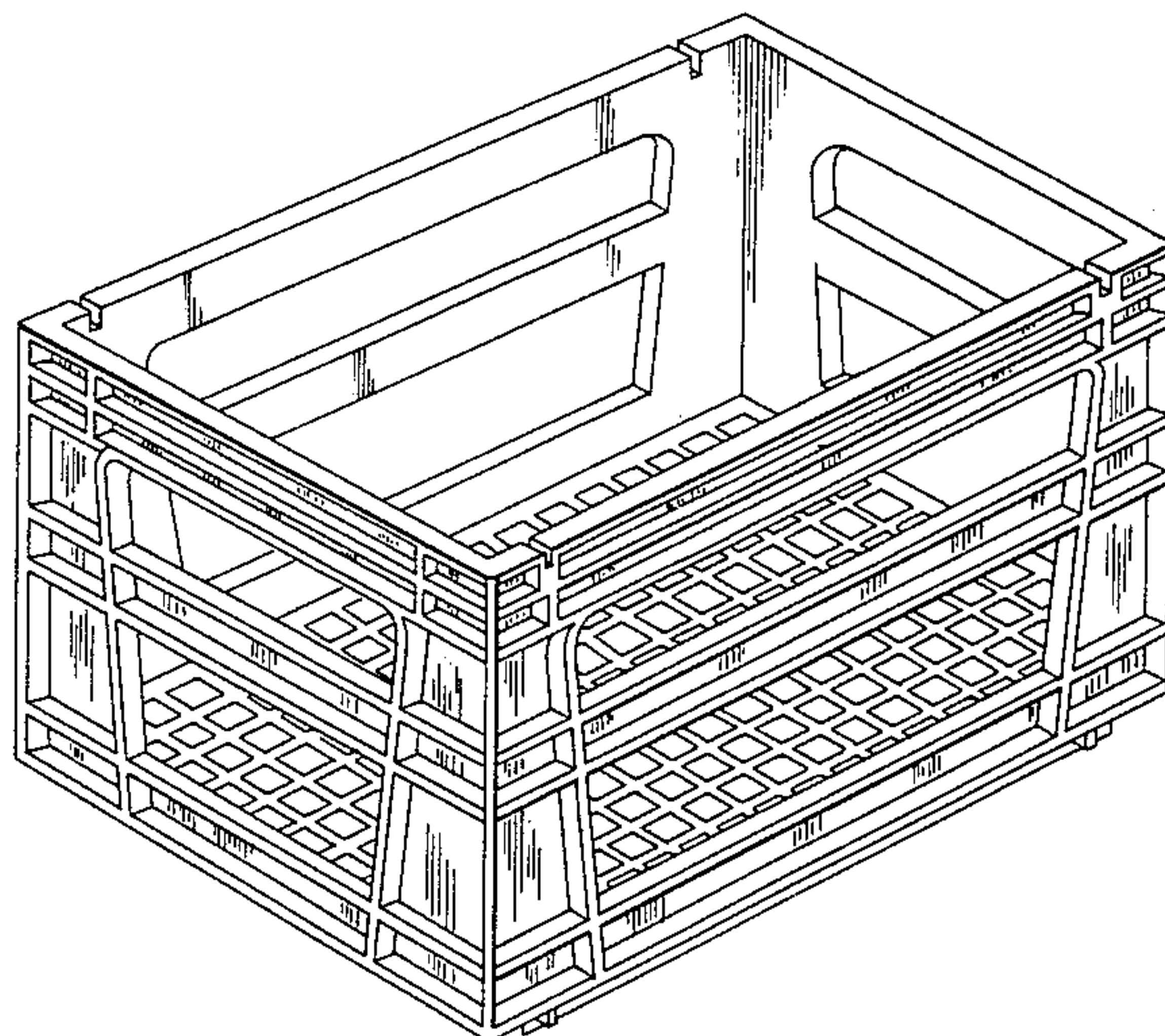
Primary Examiner—Bernard Ansher
 Assistant Examiner—Prabhakar Deshmukh
 Attorney, Agent, or Firm—Hedman, Gibson, Costigan & Hoare

[57] CLAIM

The ornamental design for a beverage case, as shown and described.

DESCRIPTION

FIG. 1 is a perspective view of a beverage case showing my new design;
 FIG. 2 is a front elevation thereof; the rear side elevation being a mirror image;
 FIG. 3 is a left side elevation thereof; the right side elevation being a mirror image;
 FIG. 4 is a top plan view thereof, and
 FIG. 5 is a bottom plan view thereof.



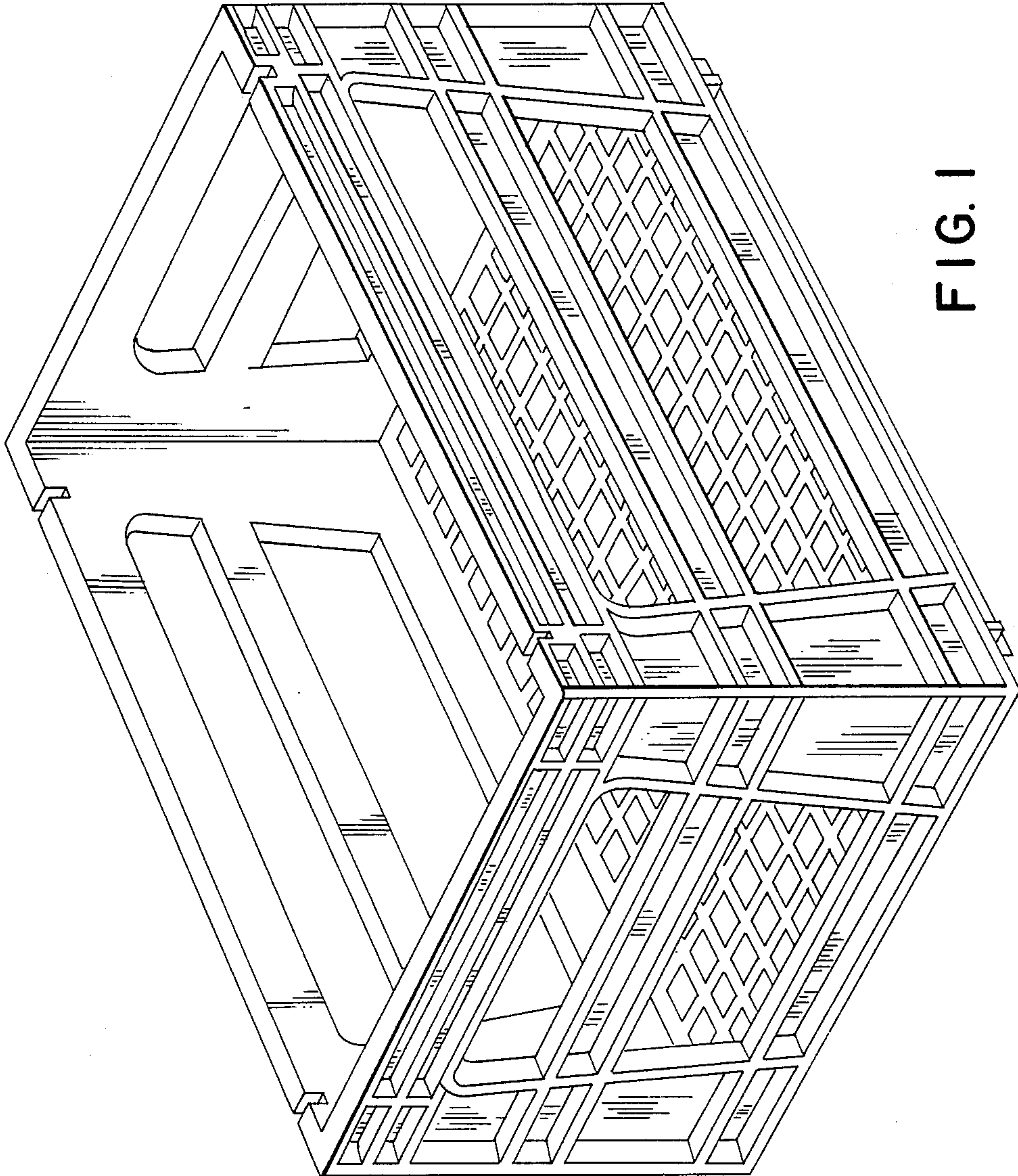


FIG. 1

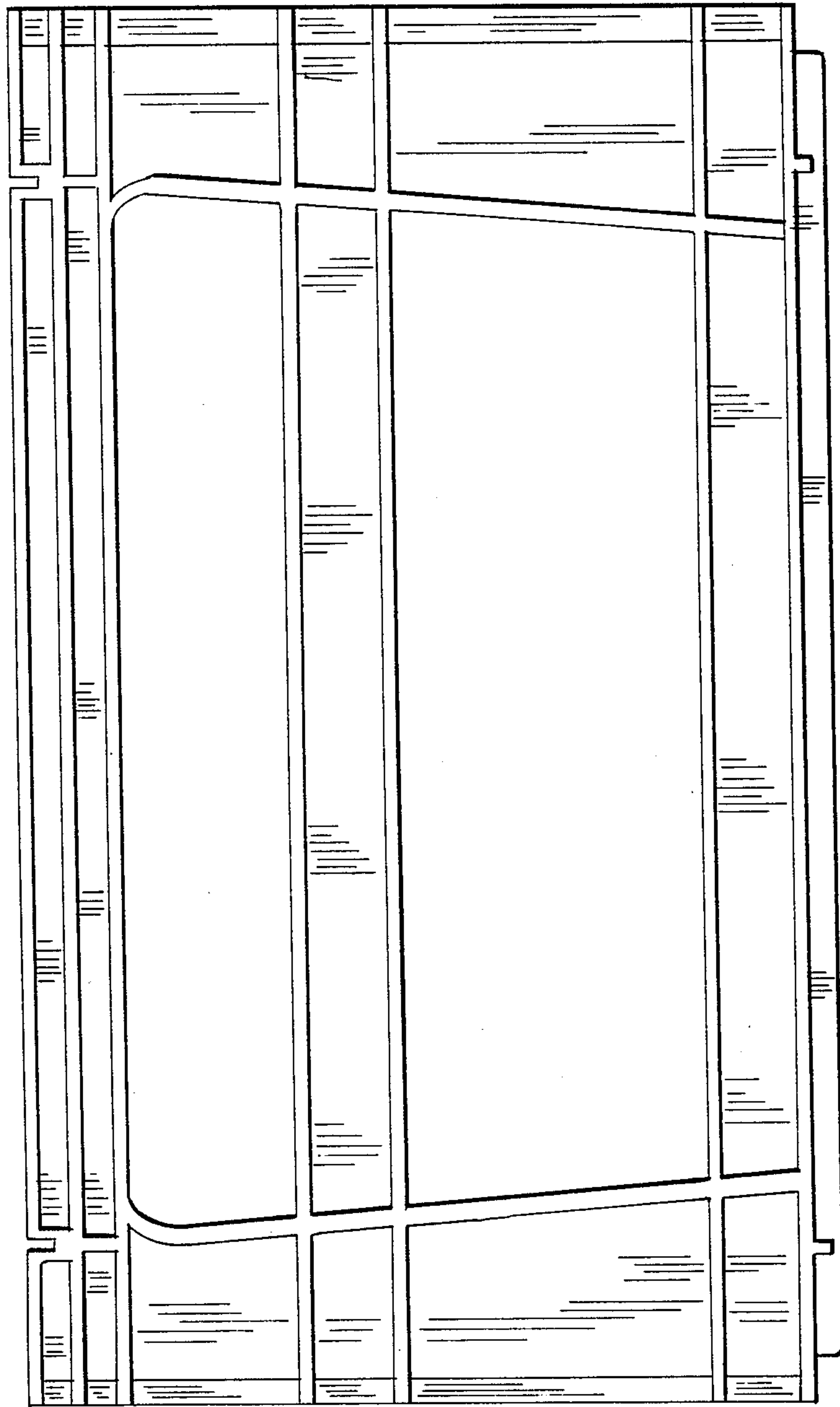


FIG. 2

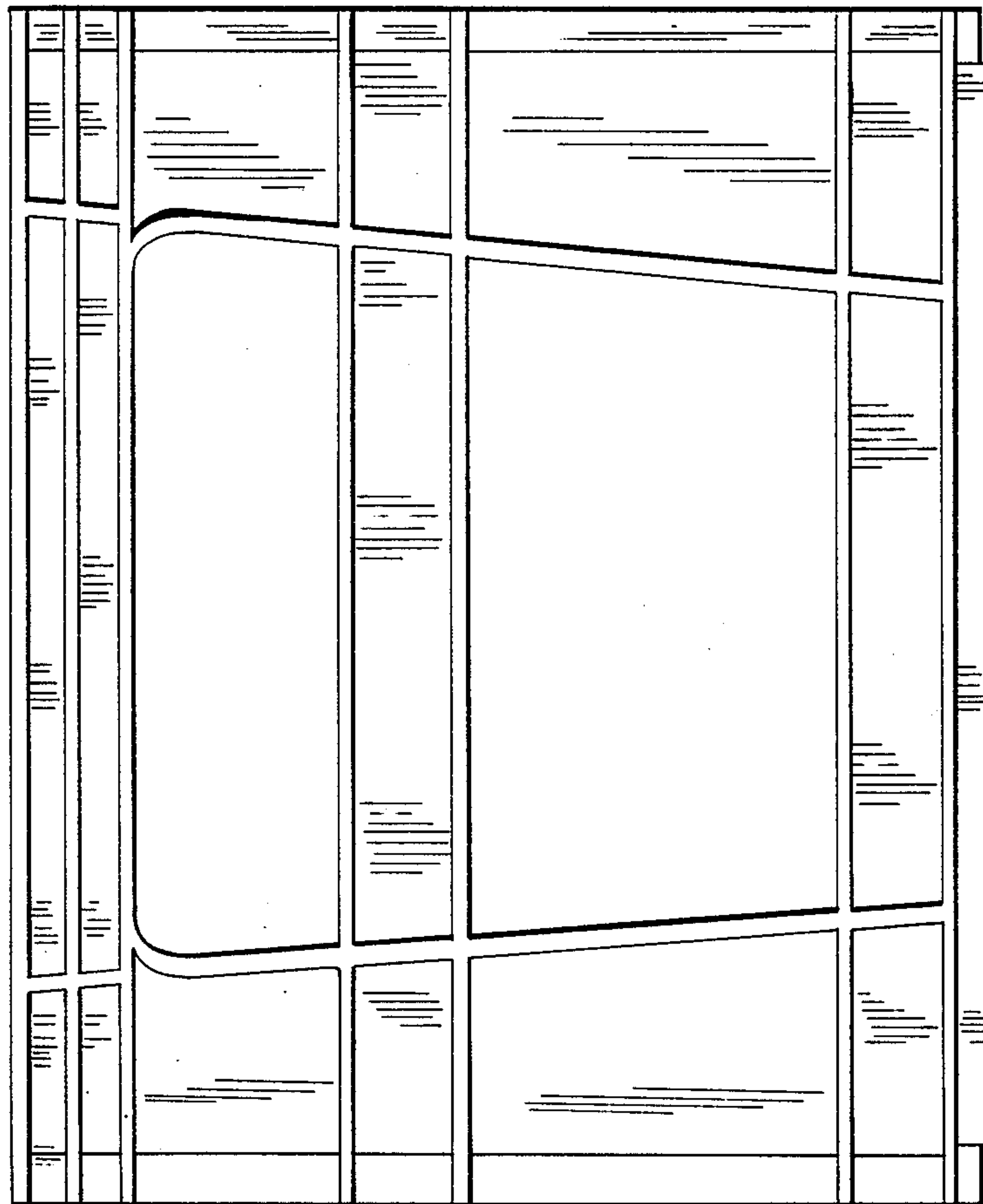


FIG. 3

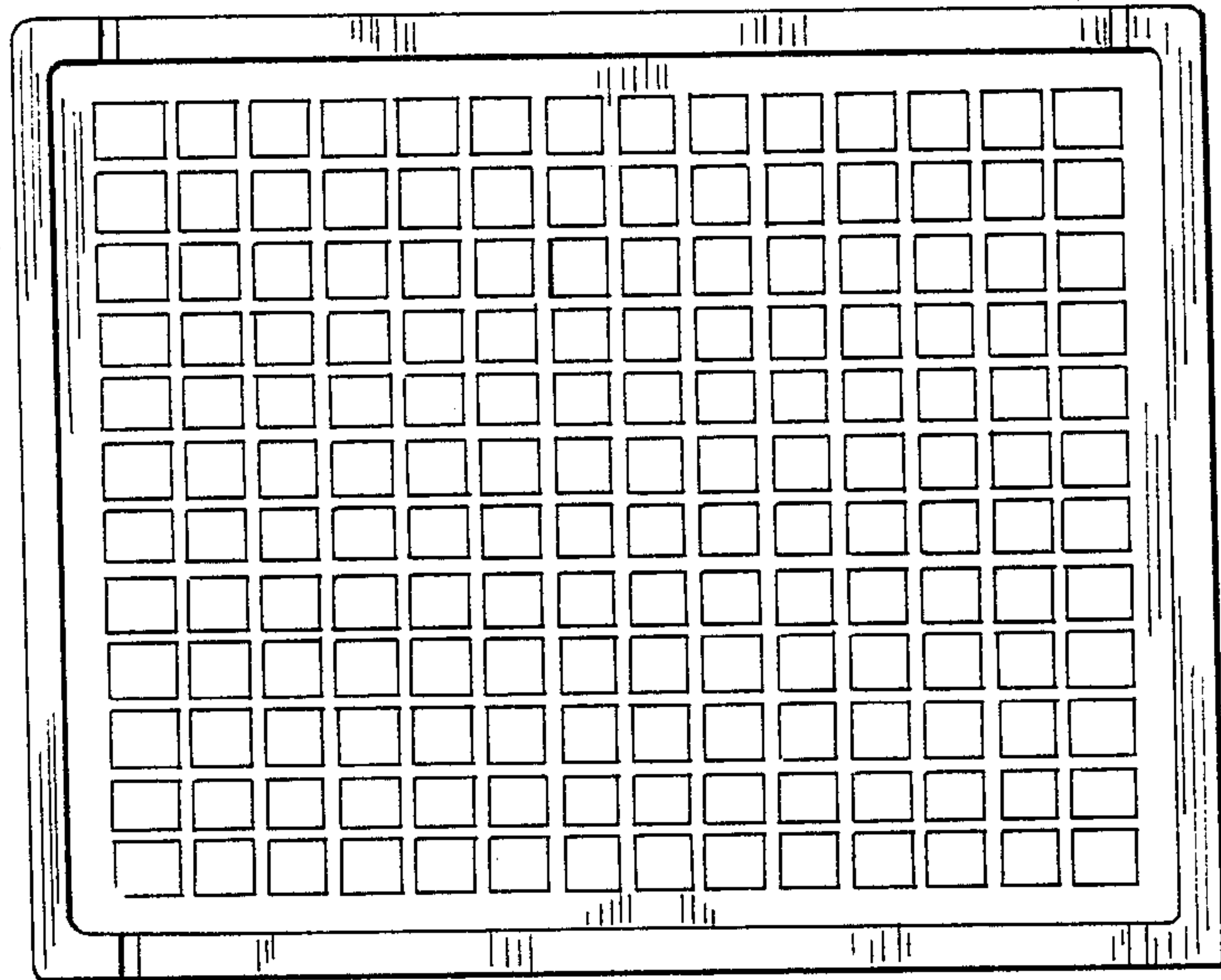


FIG. 4

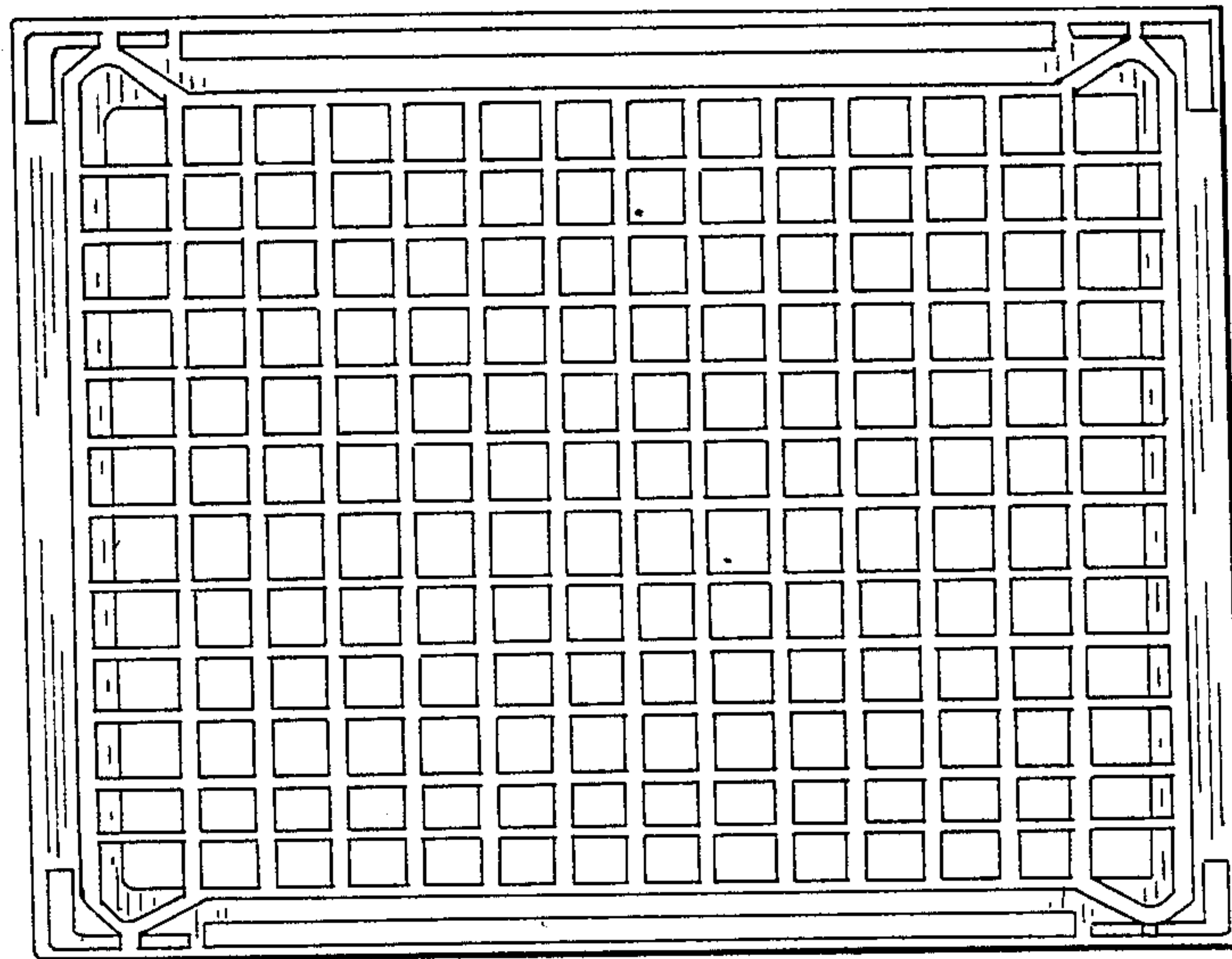


FIG. 5