

[54] **BUCKET**

[75] **Inventor: Michael A. Giallourakis, Tarpon Springs, Fla.**

[73] **Assignee: Sponge Fishing Company, Inc., Tarpon Springs, Fla.**

[**] **Term: 14 Years**

[21] **Appl. No.: 106,324**

[22] **Filed: Oct. 9, 1987**

[52] **U.S. Cl. D32/53**

[58] **Field of Search D32/53, 53.1, 54; D23/410; D9/379, 390, 392, 399; 15/104.92, 248 R, 257 R, 257.05, 257.06, 260-264; 220/69, 72, 90, 92, 94 R, 94 A, 95; 280/79.2**

[56] **References Cited**

U.S. PATENT DOCUMENTS

D. 245,450 8/1977 Donlon D32/53.1
D. 304,291 9/1884 Brien 220/90
4,615,456 10/1986 Cousar 220/90

Primary Examiner—Wallace R. Burke
Assistant Examiner—Lavone Tabor
Attorney, Agent, or Firm—James Creighton Wray

[57] **CLAIM**

The ornamental design for the bucket, as shown.

DESCRIPTION

FIG. 1 is a perspective view of a bucket showing my new design; and

FIG. 2 is a perspective of the outer annular vessel shown in FIG. 1.

The undisclosed sides are the same in appearance as the sides shown and the bottom in both views is plain and planar.

The outer annular vessel is shown separately for clarity of illustration only.

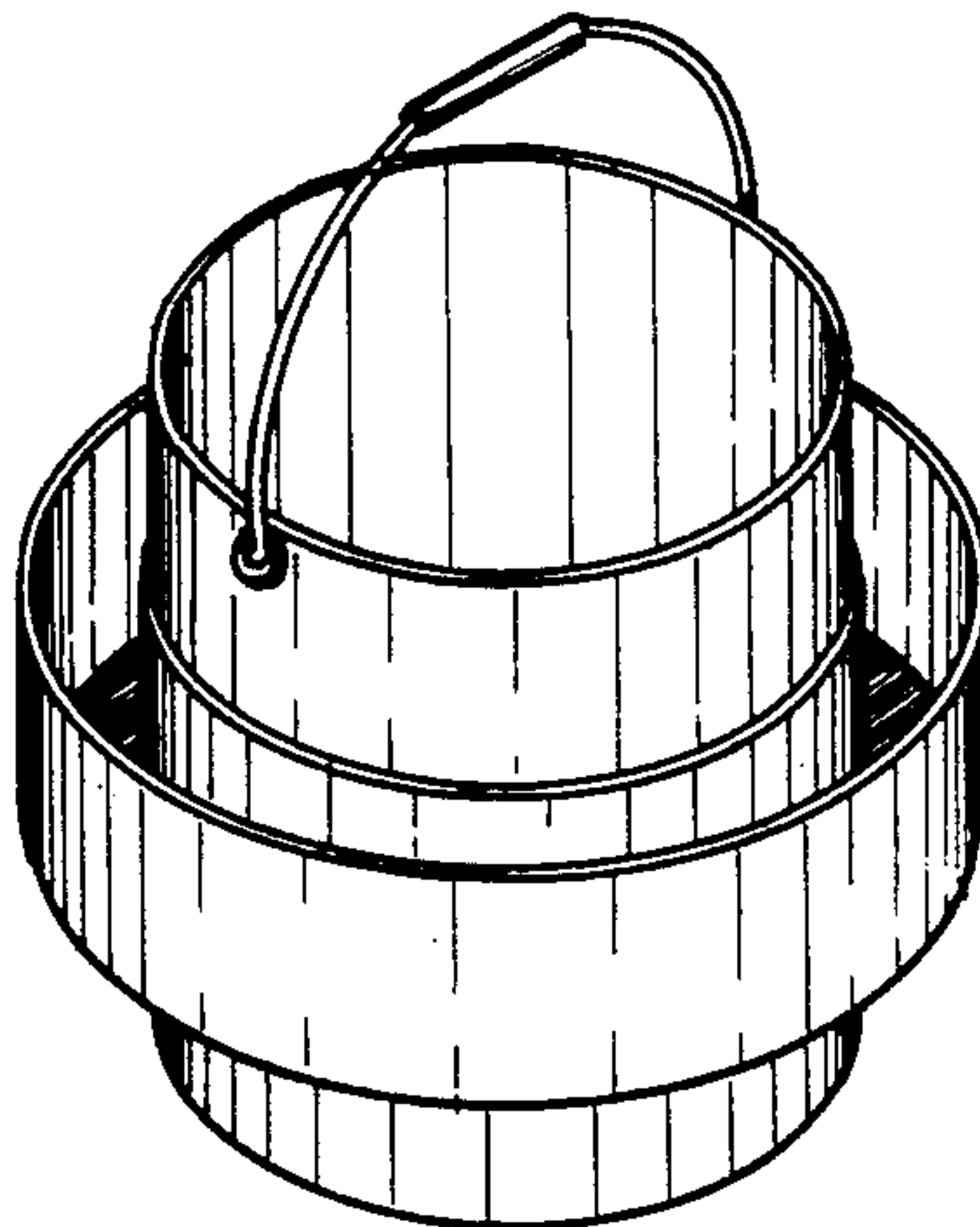


FIG. 2

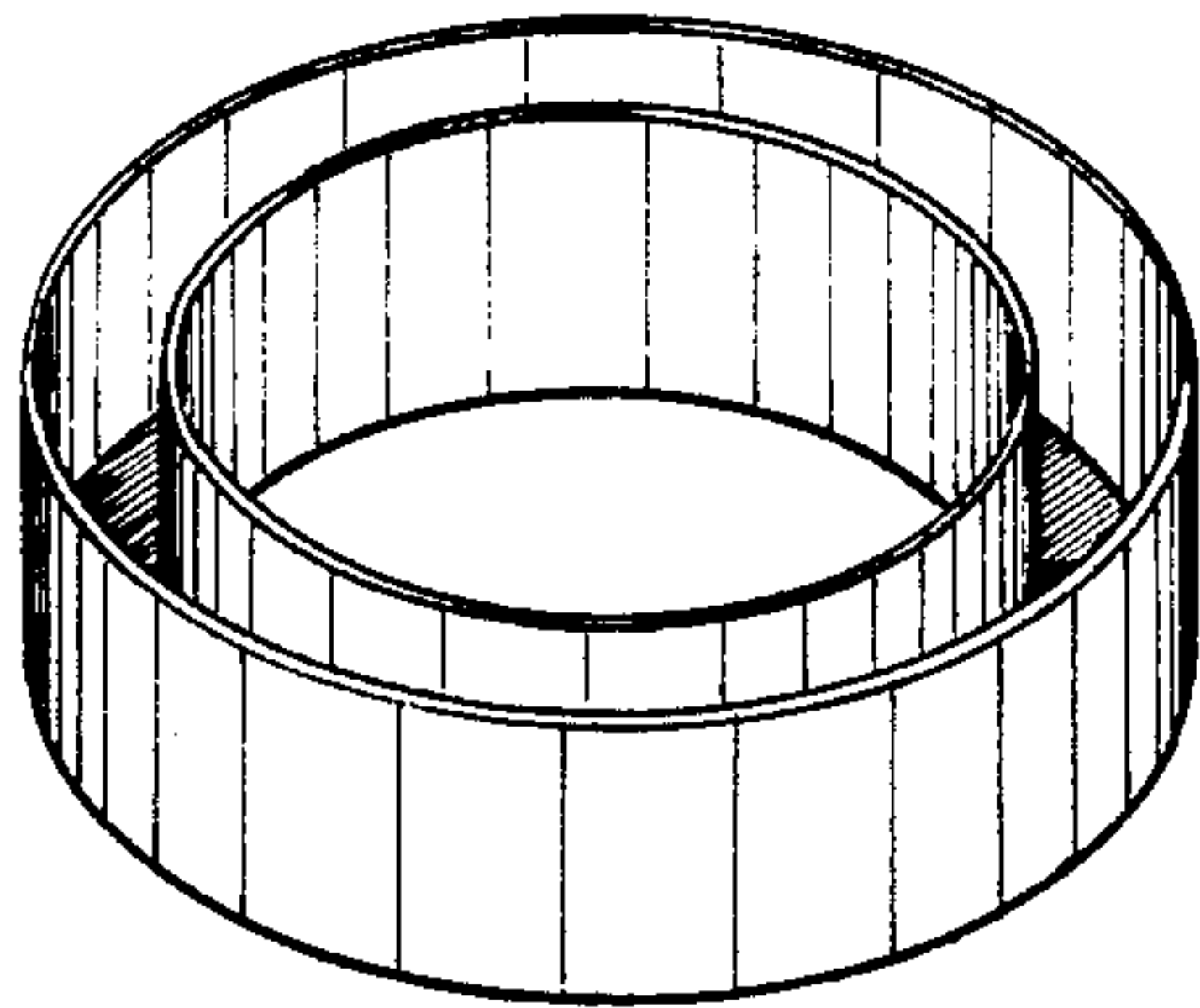


FIG. 1

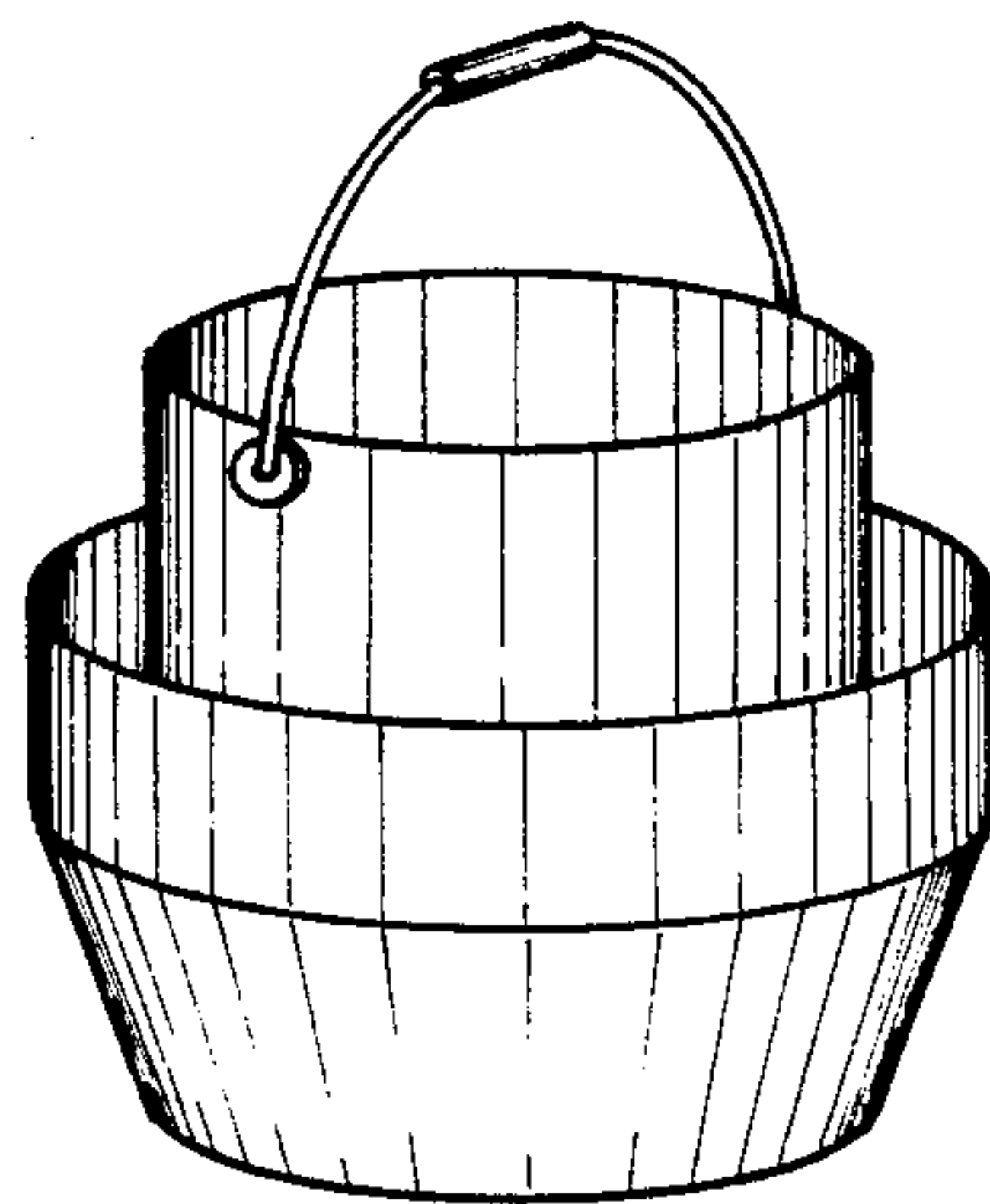
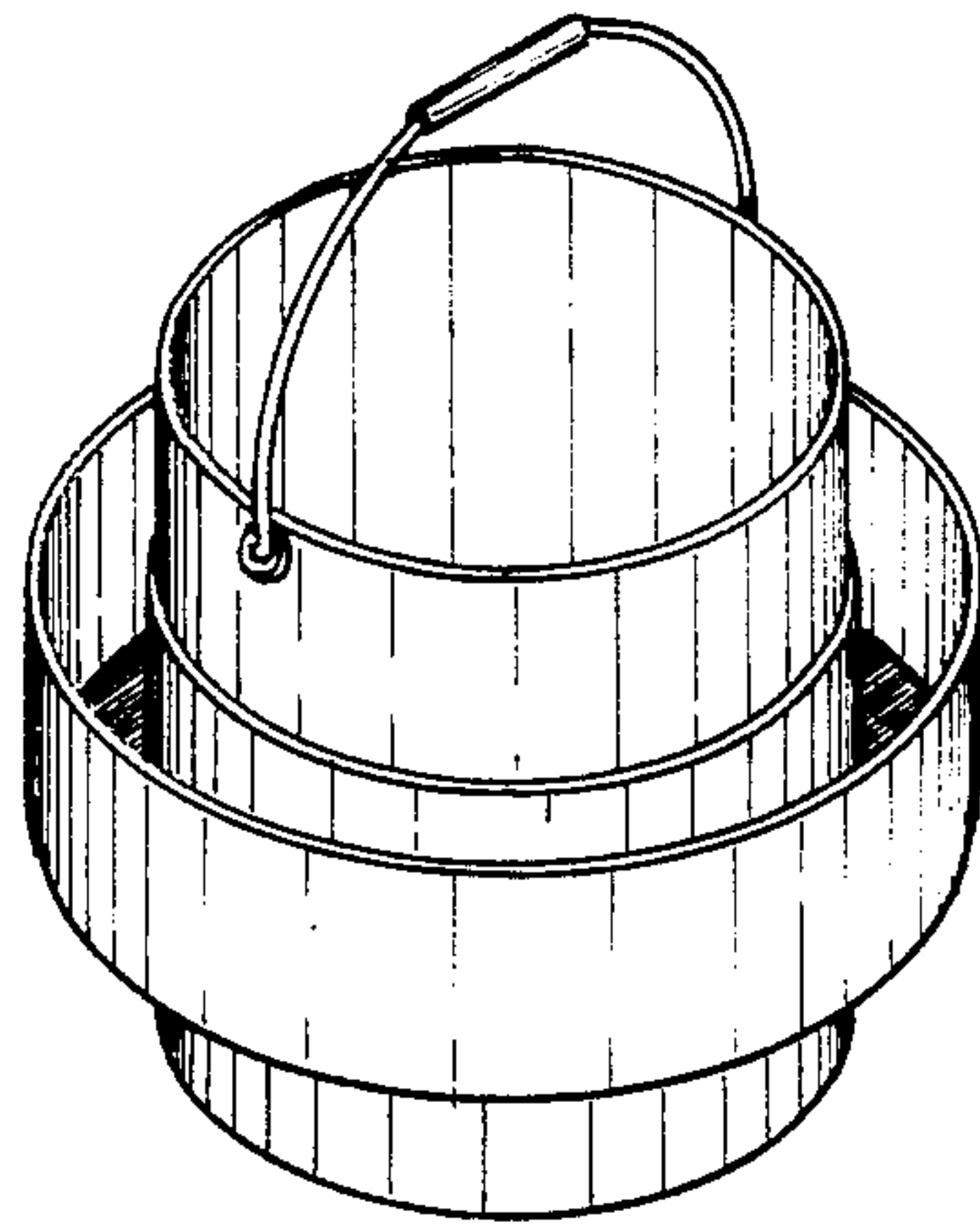


FIG. 3