

[54] FABRIC STEAMER

[75] Inventors: Masao Tsuji, Old Lyme; Howard L. Rauch, Old Saybrook, both of Conn.

[73] Assignee: North American Philips Corp., New York, N.Y.

[\*\*] Term: 14 Years

[21] Appl. No.: 943,291

[22] Filed: Dec. 17, 1986

[52] U.S. Cl. .... D32/17

[58] Field of Search ..... D32/1, 17; 223/51; 68/5 R, 5 A, 5 B, 5 C, 5 E, 6, 222; 219/271, 273; 15/344

[56] References Cited

U.S. PATENT DOCUMENTS

- D. 221,992 9/1971 Bluestein et al. .... D32/17
- D. 232,802 9/1974 Steinkamp et al. .... D32/17

- D. 233,209 10/1974 Terraillon ..... D32/17
- D. 294,987 3/1988 Muller et al. .... D32/17
- 4,366,367 12/1982 Mazzucco ..... 68/222

Primary Examiner—A. Hugo Word  
Assistant Examiner—Ruth McInroy  
Attorney, Agent, or Firm—Ernestine C. Bartlett

[57] CLAIM

The ornamental design for a fabric steamer, as shown and described.

DESCRIPTION

FIG. 1 is a right side elevational view of a fabric steamer showing our new design, the left side being a mirror image;  
 FIG. 2 is a top plan view thereof;  
 FIG. 3 is a bottom plan view thereof;  
 FIG. 4 is a front elevational view thereof;  
 FIG. 5 is a rear elevational view thereof; and  
 FIG. 6 is a perspective view thereof as seen from the top, front and one side.

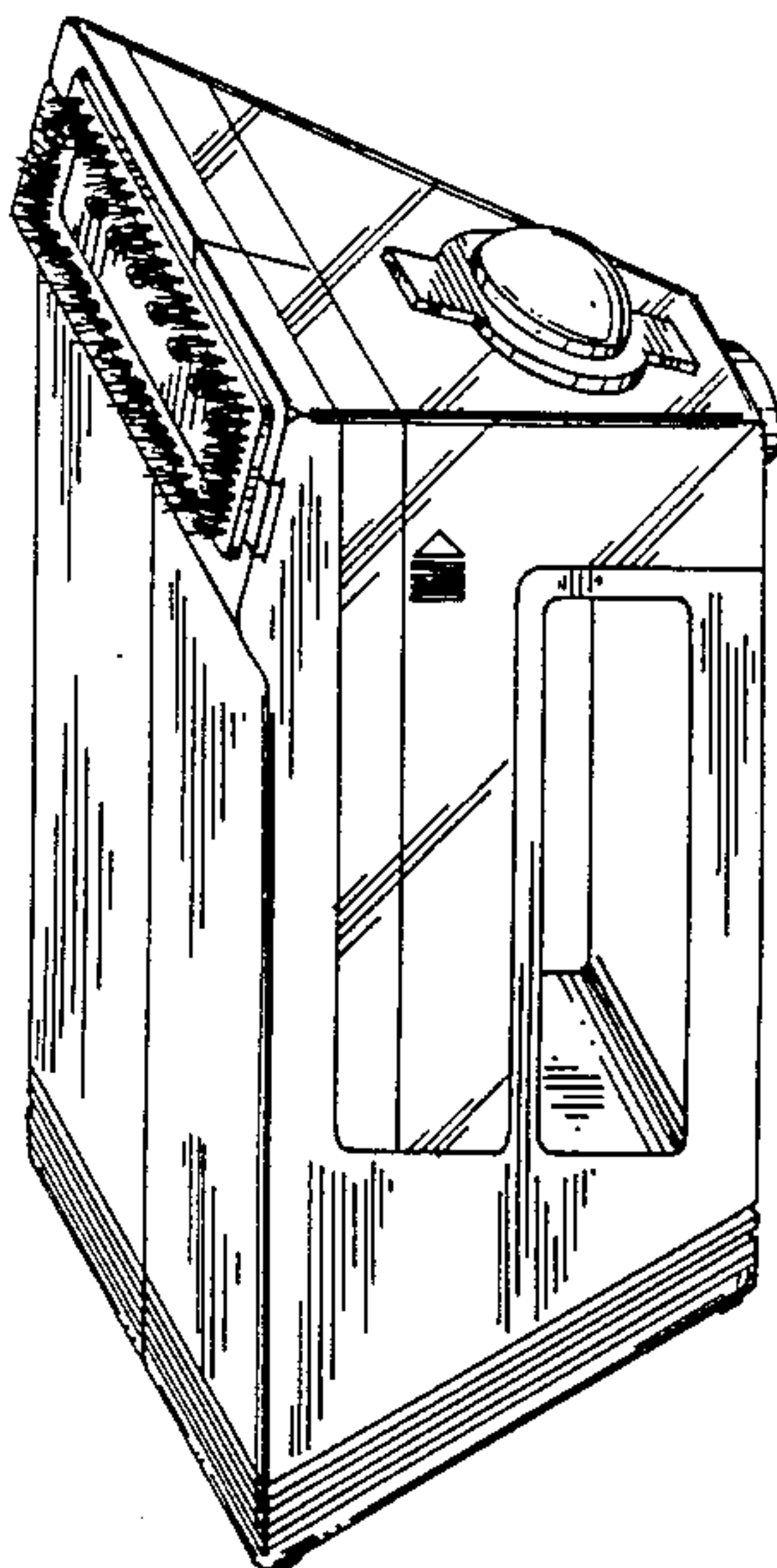


FIG. 2

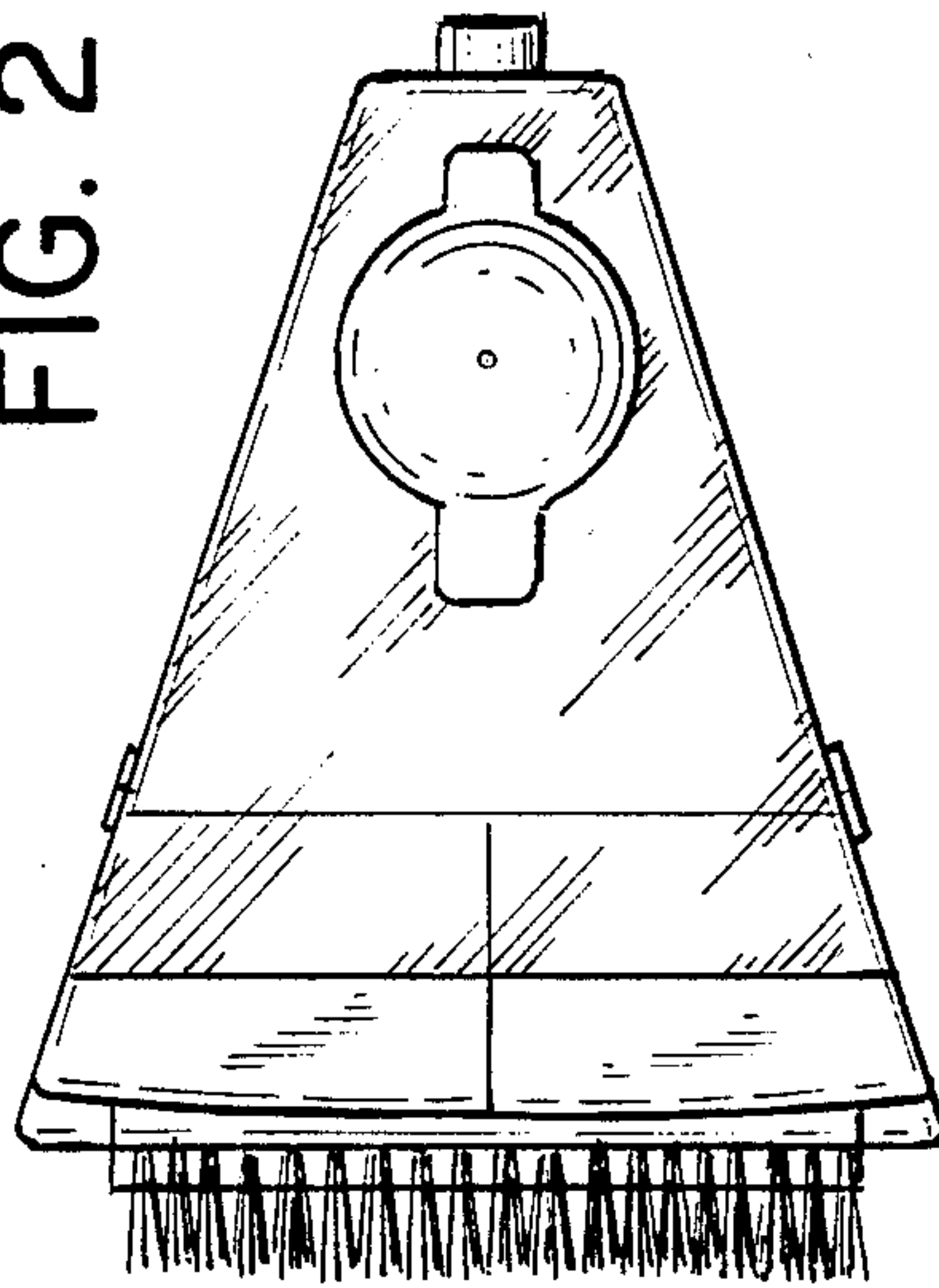


FIG. 3

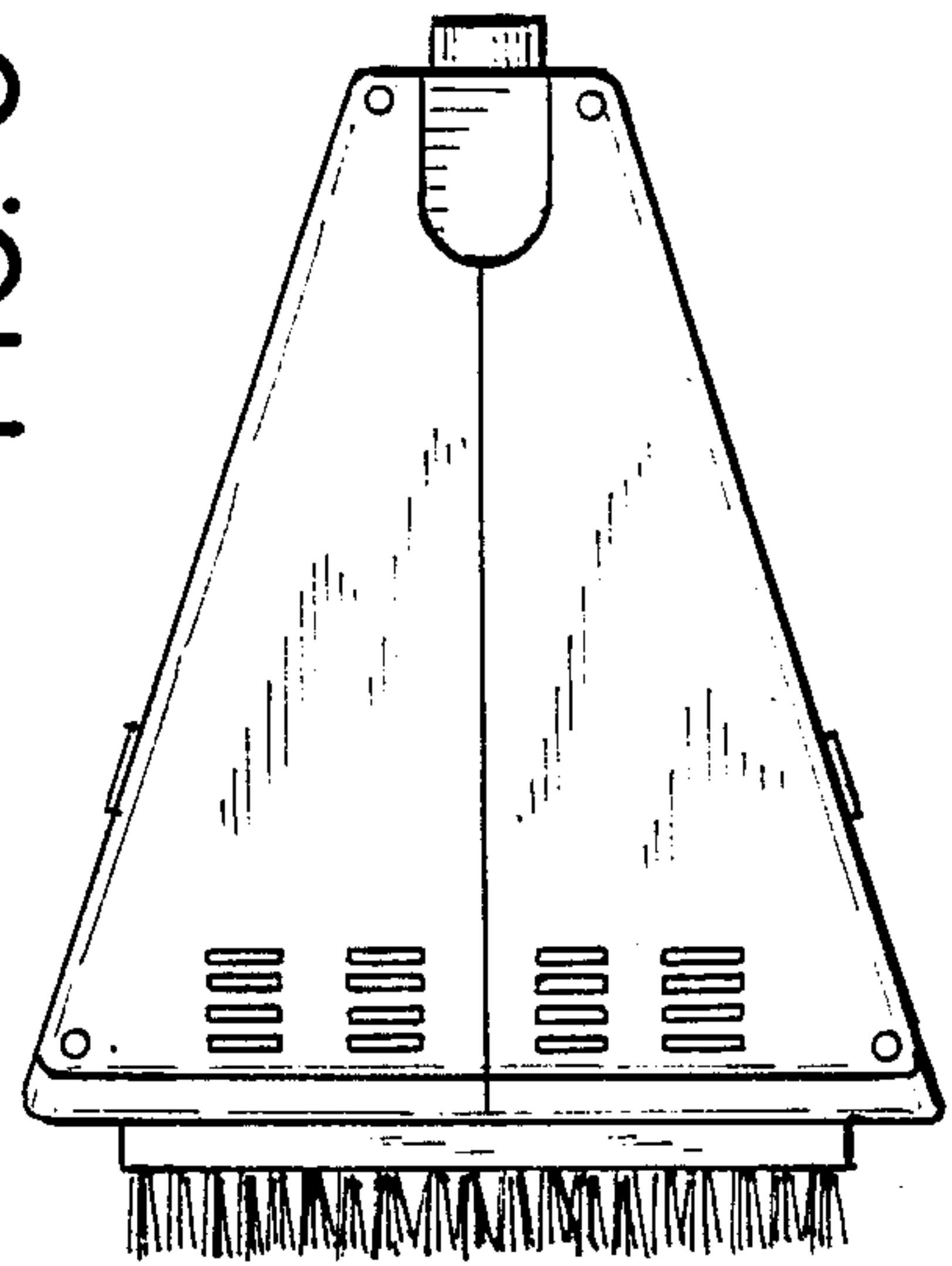


FIG. 1

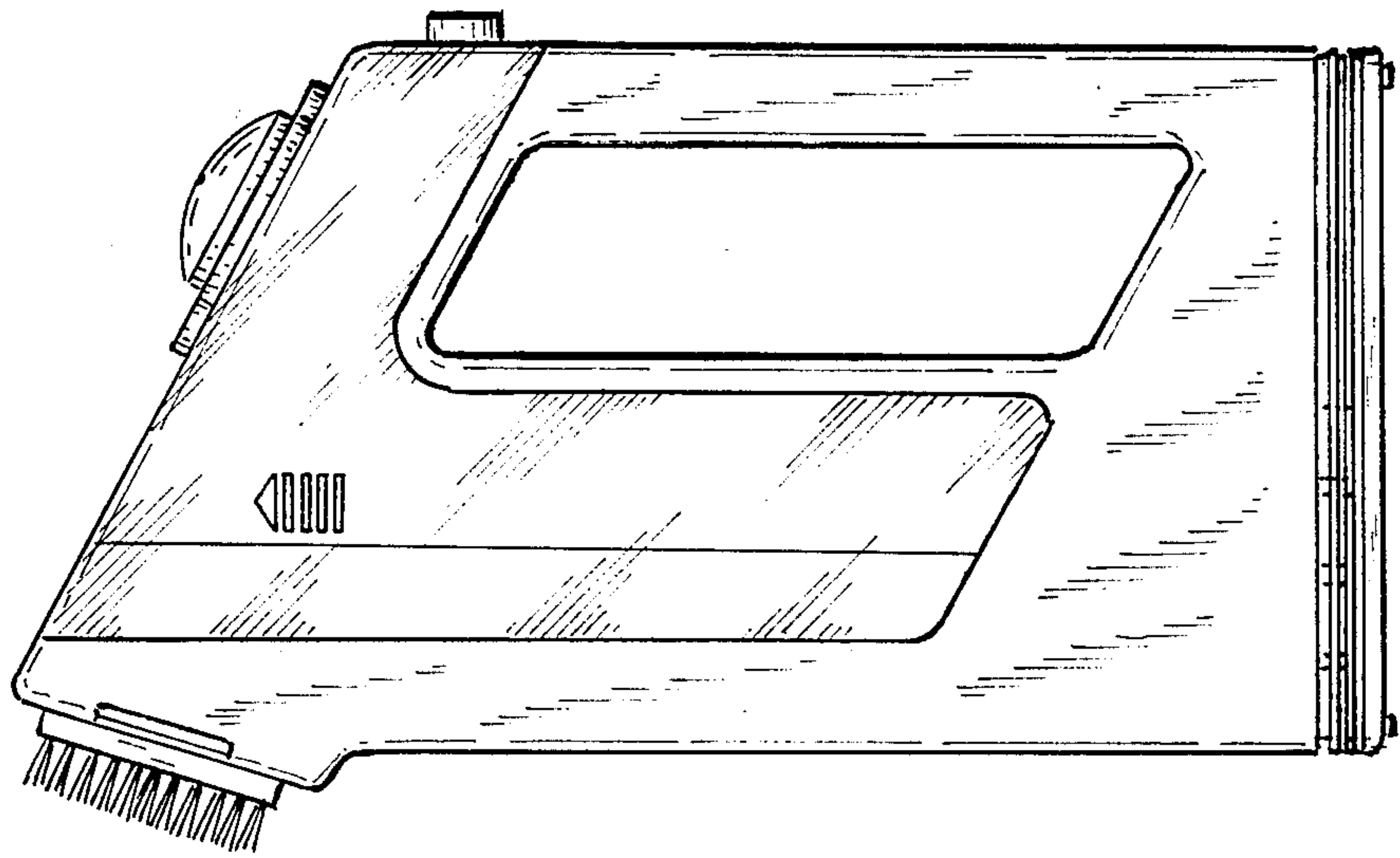


FIG. 4

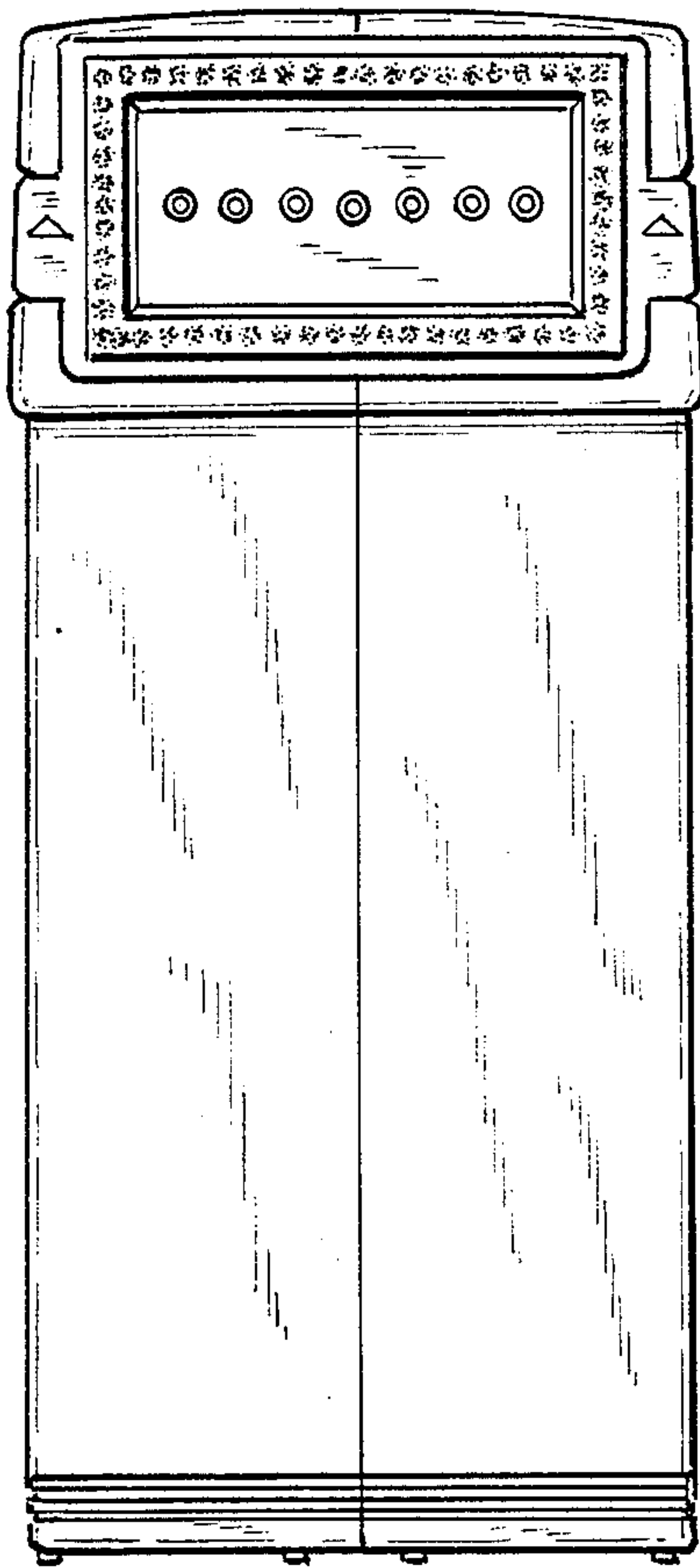
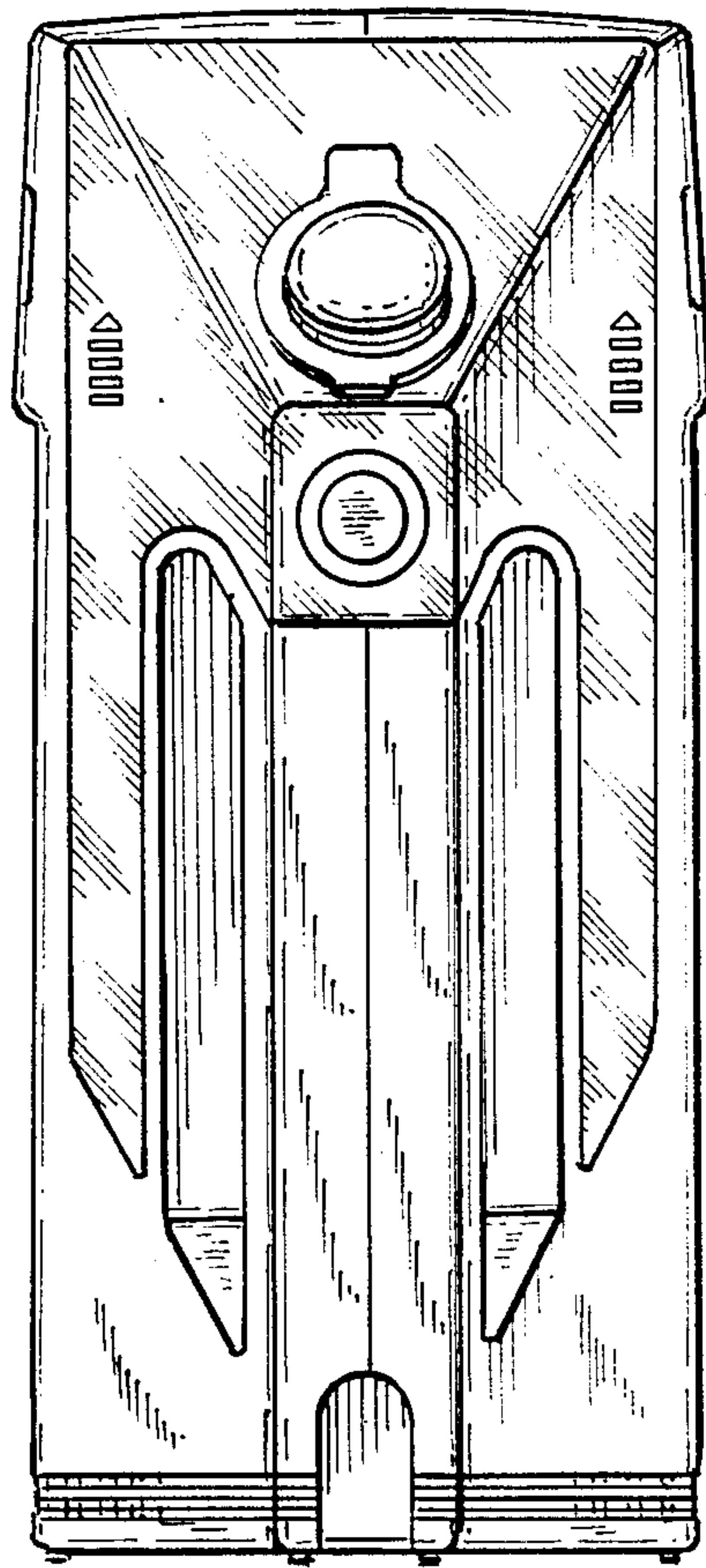


FIG. 5



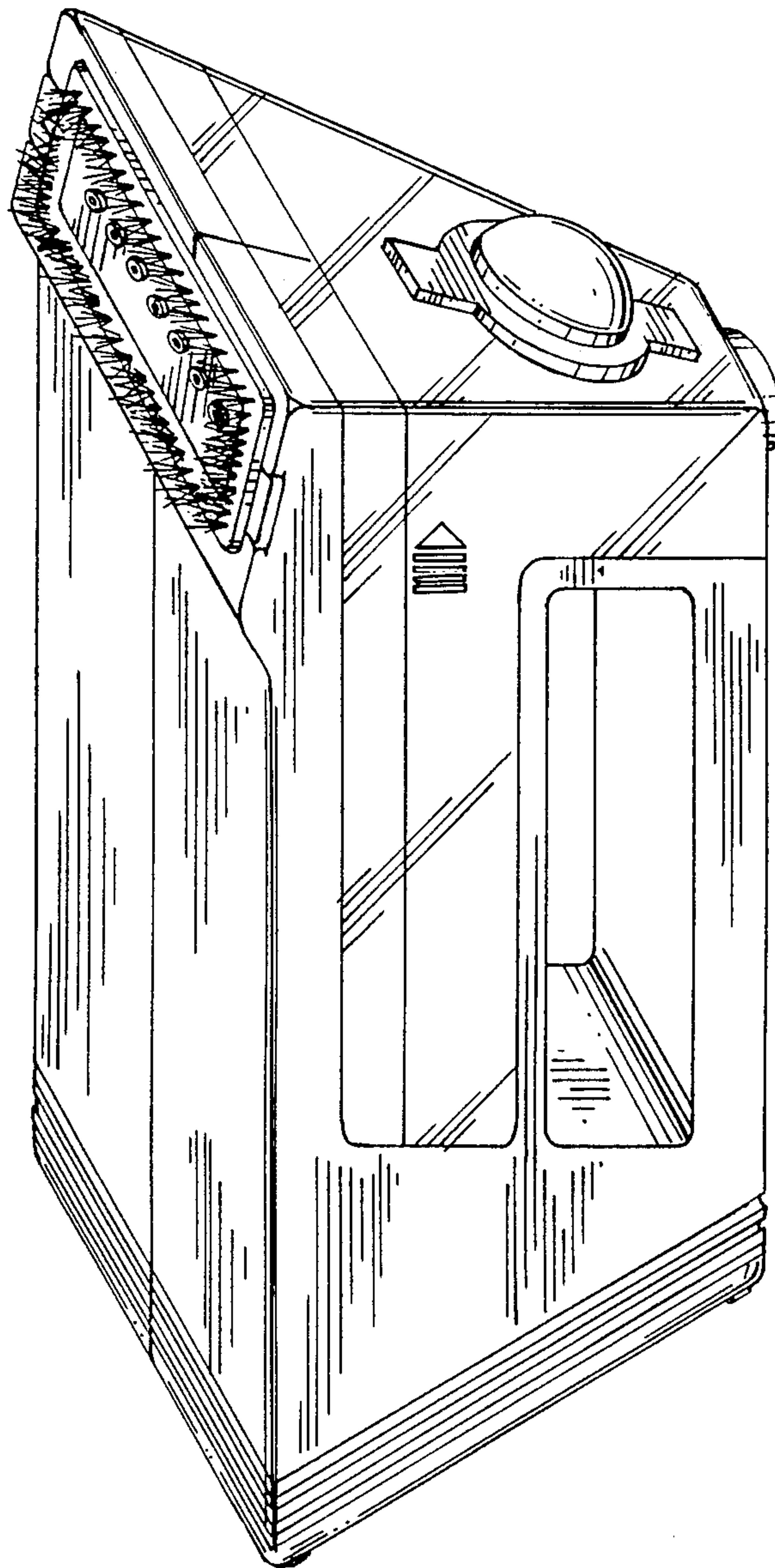


FIG. 6