

[54] **COMBINED CONTAINER/BOTTLE AND COSMETIC WAND APPLICATORS OR THE LIKE**

[75] Inventors: **Henry J. Cassai**, 163-47 85th St., Howard Beach, N.Y. 11414; **Gino H. Cassai**, Brooklyn, N.Y.

[73] Assignee: **Henry J. Cassai**, Howard Beach, N.Y.

[**] Term: **14 Years**

[21] Appl. No.: **337,531**

[22] Filed: **Apr. 14, 1989**

Related U.S. Application Data

[62] Division of Ser. No. 765,394, Aug. 14, 1985, abandoned.

[52] U.S. Cl. **D28/77**

[58] Field of Search **D28/4-8, D28/61, 73, 76-91.1; D9/337, 338, 341, 347, 367, 377, 413, 352; 206/235, 385, 581, 823; D3/39; 220/DIG. 26; 132/286, 288, 293, 294, 297-301, 303-305, 313-318**

[56] **References Cited**

U.S. PATENT DOCUMENTS

- D. 54,833 4/1920 Clodfelter D28/91 X
- D. 164,755 10/1951 Younghusband D28/91 X
- D. 261,108 10/1981 Harris D9/377 X

FOREIGN PATENT DOCUMENTS

2037409 2/1972 Fed. Rep. of Germany D28/7

Primary Examiner—Louis S. Zarfes

[57] **CLAIM**

The ornamental design for a combined container/bottle

and cosmetic wand applicators or the like, as shown and described.

DESCRIPTION

FIG. 1 is a partially exploded front elevational view of a combined container/bottle and cosmetic wand applicators or the like, showing our new design;

FIG. 2 is an exploded rear elevational view of FIG. 1 showing a second embodiment of our new design wherein the applicators have been modified;

FIG. 3 is a side elevational view of FIG. 1 with applicator caps on;

FIG. 4 is an opposite side elevational view showing a third embodiment of our new design wherein the caps have been modified;

FIG. 5 is a top plan view of FIG. 1 with cap removed;

FIG. 6 is a bottom plan view thereof;

FIG. 7 is a partially exploded front elevational view of a combined container/bottle and cosmetic wand applicators or the like showing a fourth embodiment of our new design;

FIG. 8 is an exploded rear elevational view of FIG. 7 showing a fifth embodiment of our new design wherein the applicators have been modified;

FIG. 9 is a side elevational view of FIG. 7 with applicator caps on;

FIG. 10 is an opposite side elevational view showing a sixth embodiment of our new design wherein the caps have been modified;

FIG. 11 is a top plan view of FIG. 7 with cap removed;

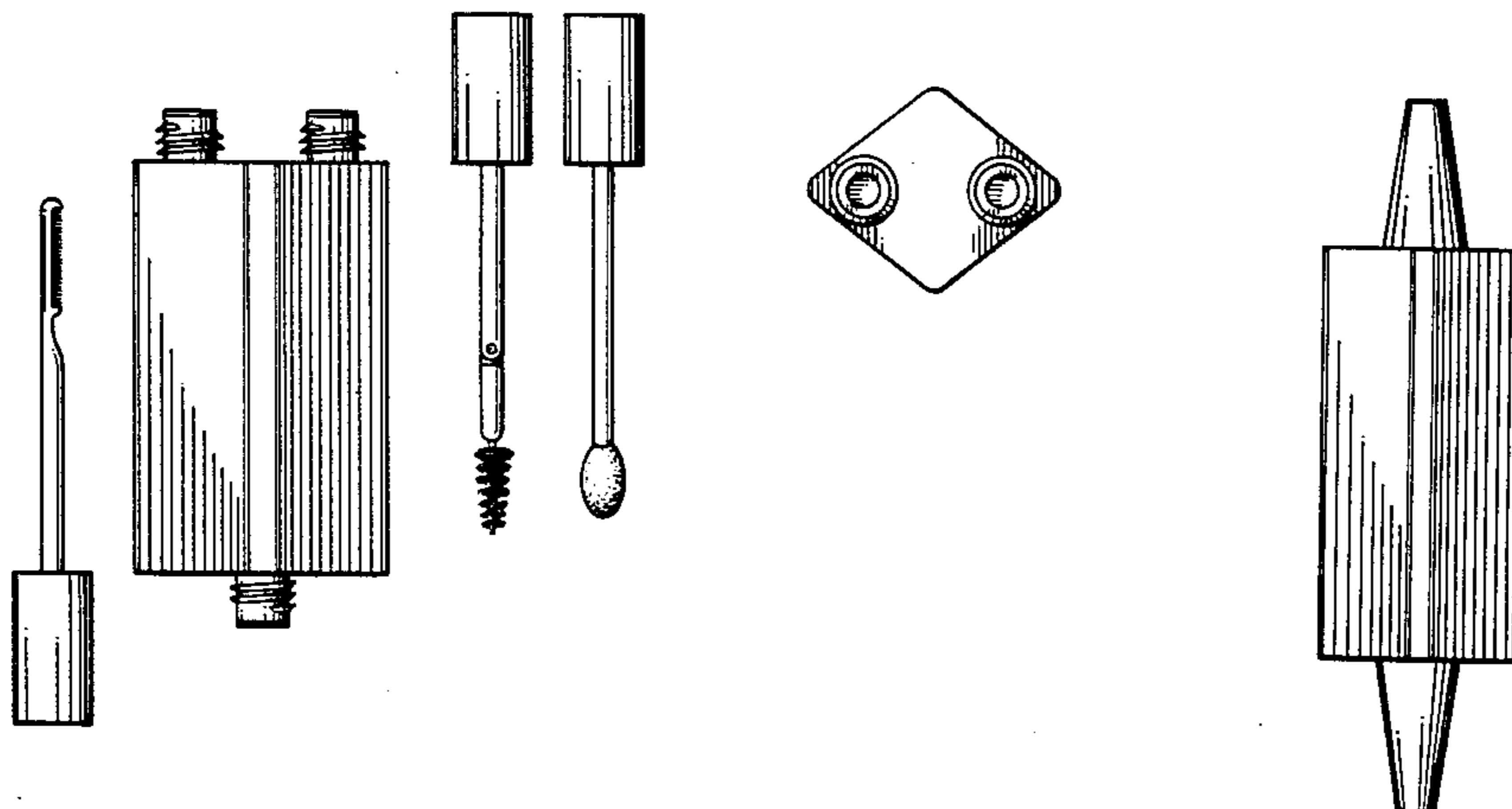
FIG. 12 is a bottom plan view thereof;

FIG. 13 is a front elevational view of FIG. 1 with applicator caps on;

FIG. 14 is a side elevational view thereof;

FIG. 15 is a front elevational view of FIG. 7 with applicator caps on; and

FIG. 16 is a side elevational view thereof.



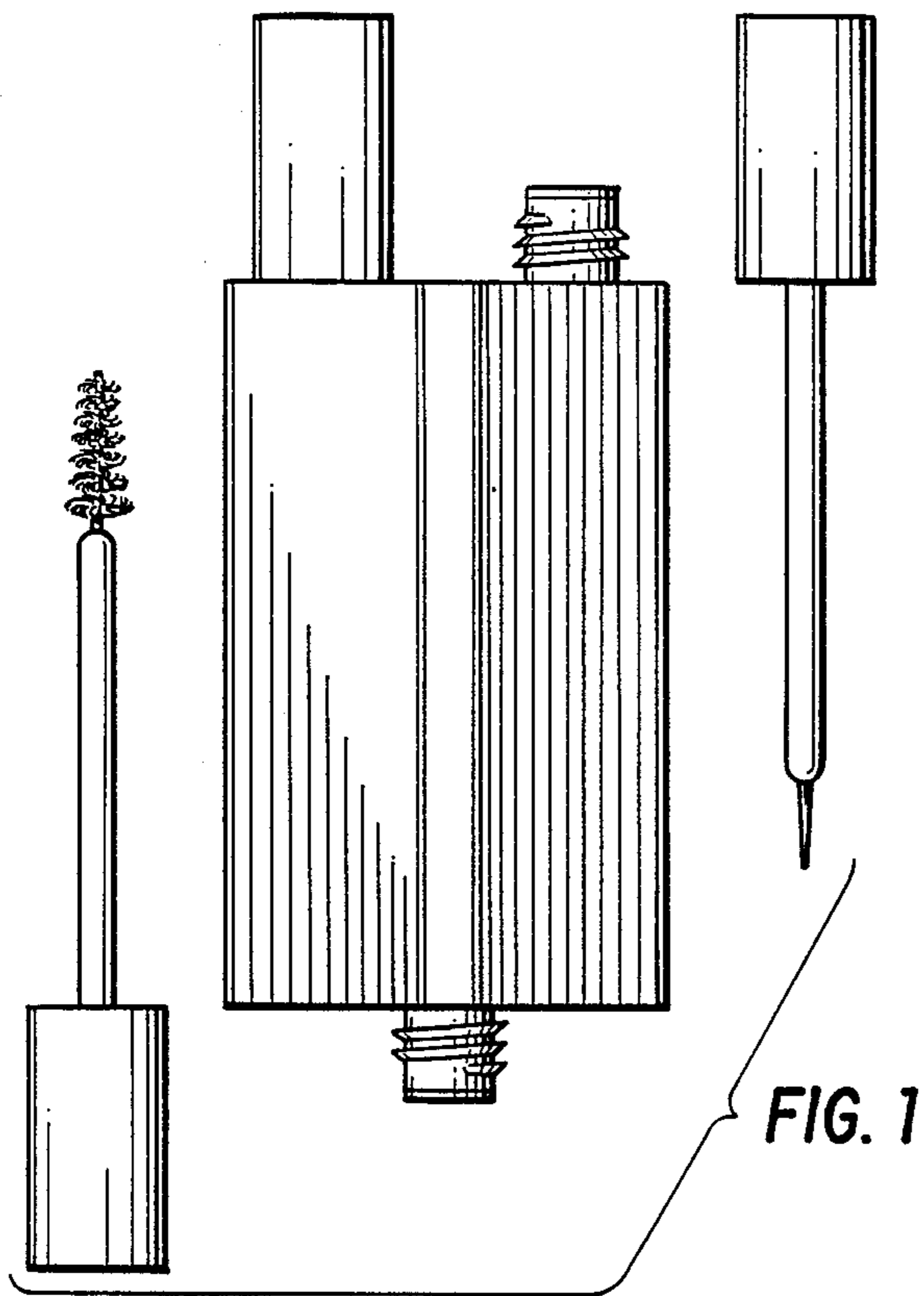


FIG. 1

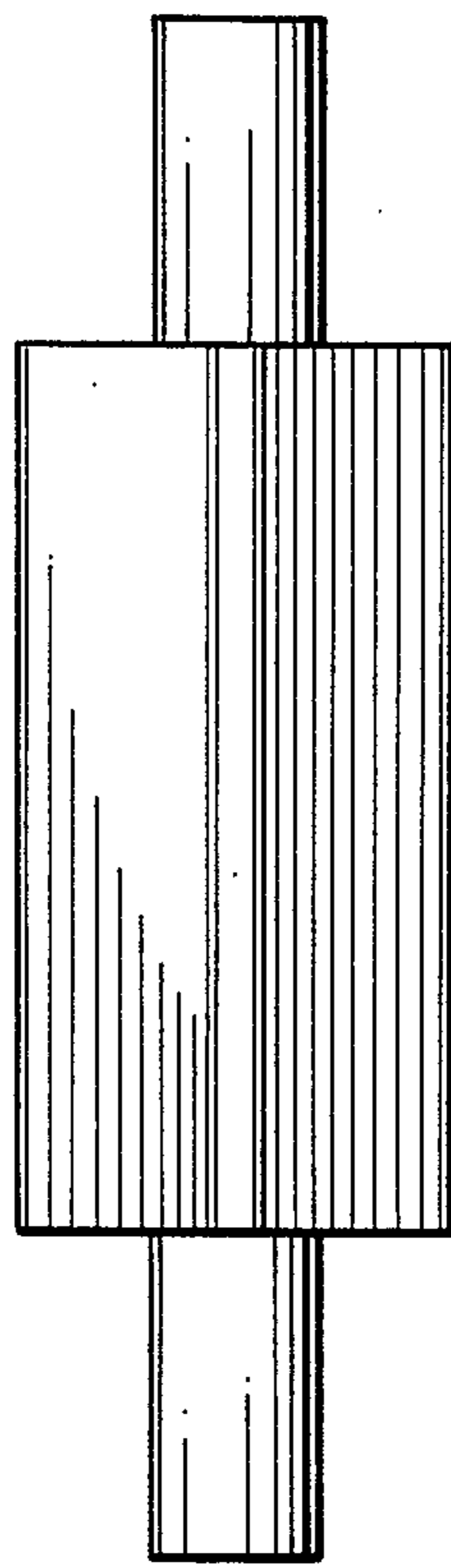


FIG. 3

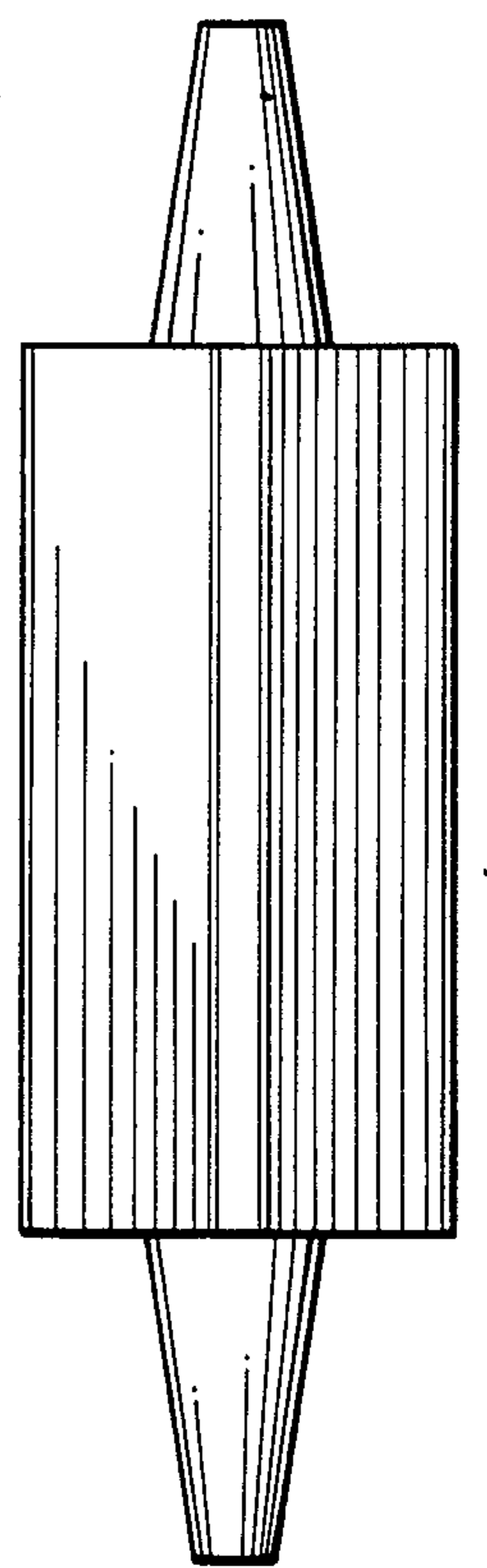


FIG. 4

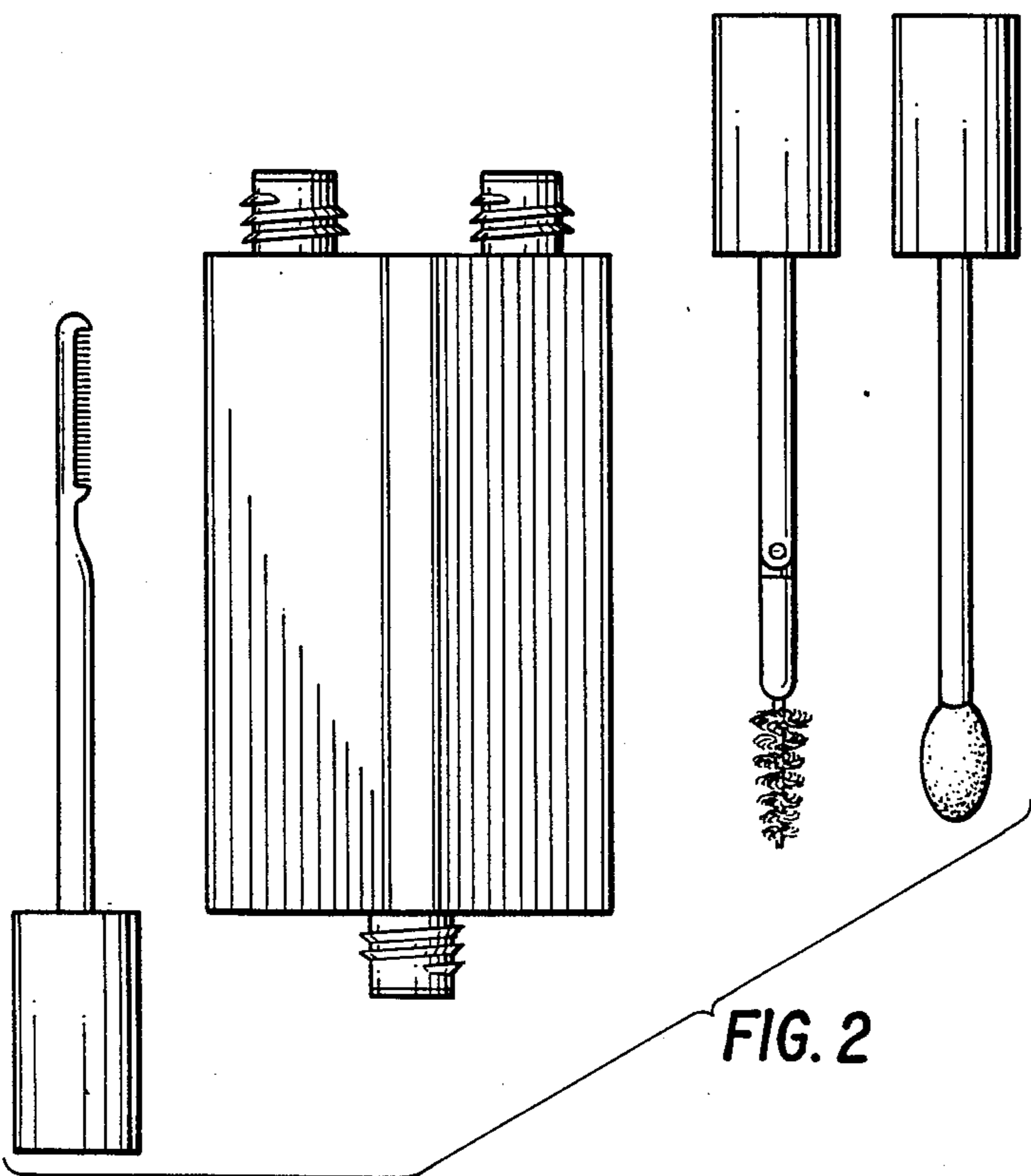


FIG. 2

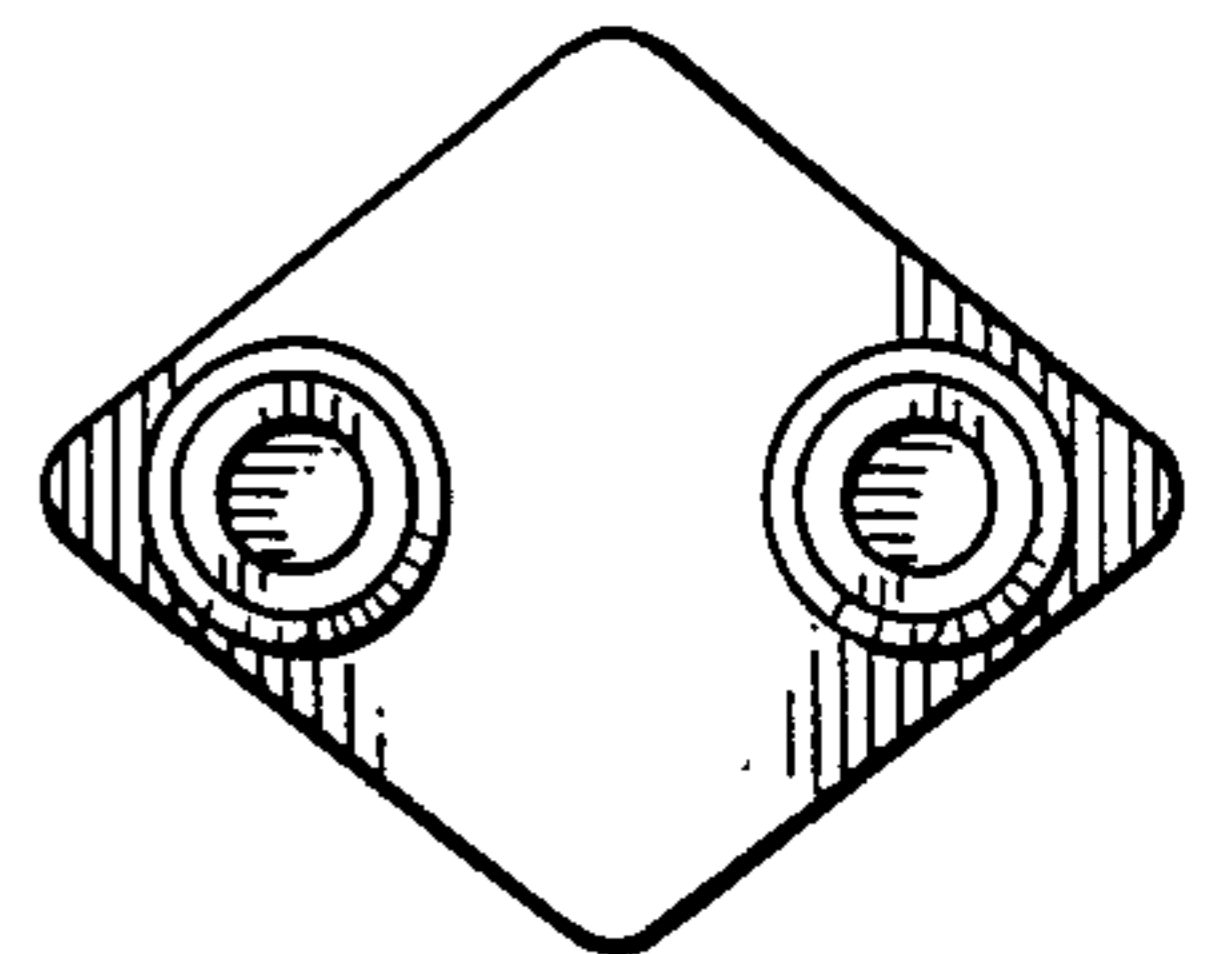


FIG. 5

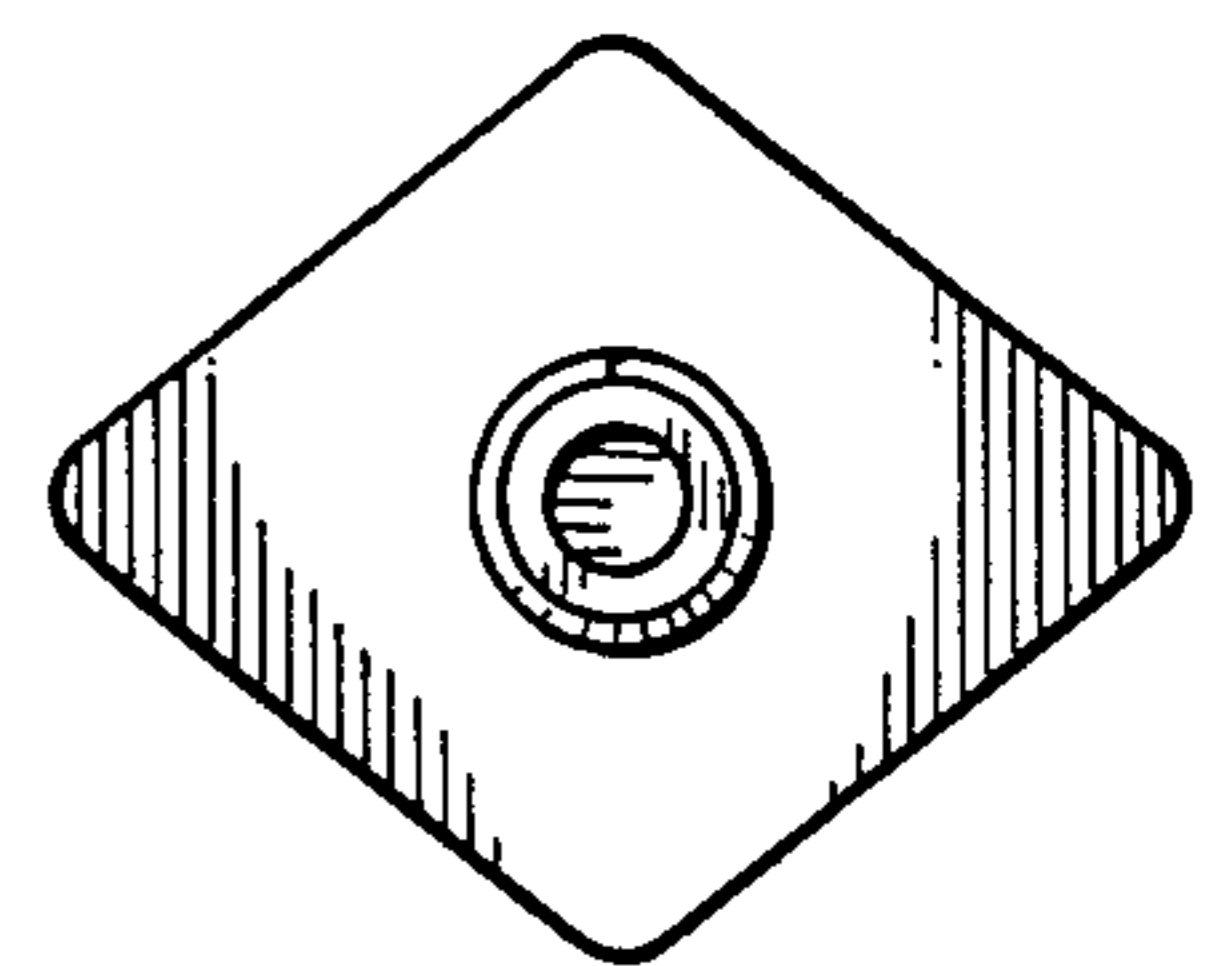


FIG. 6

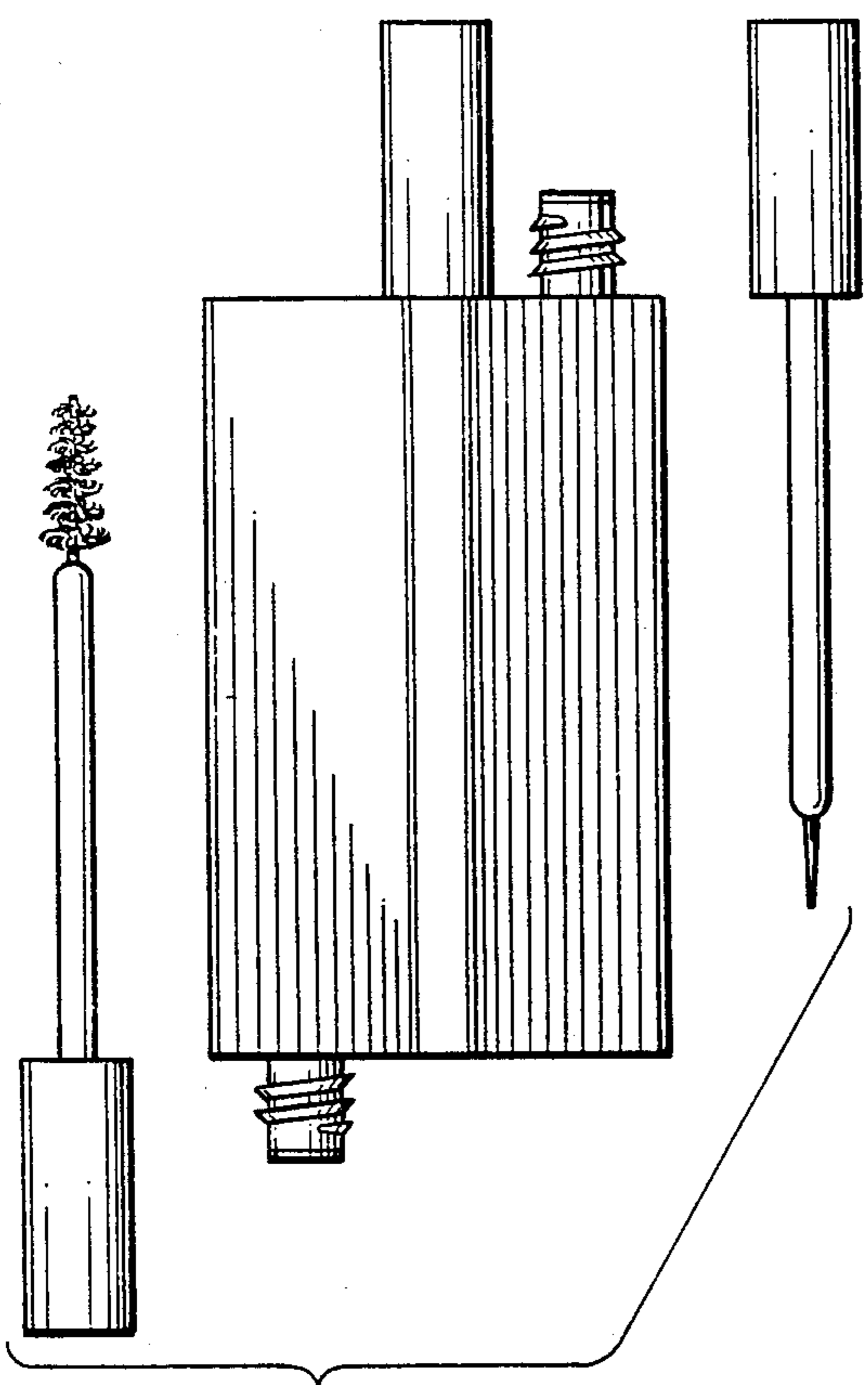


FIG. 7

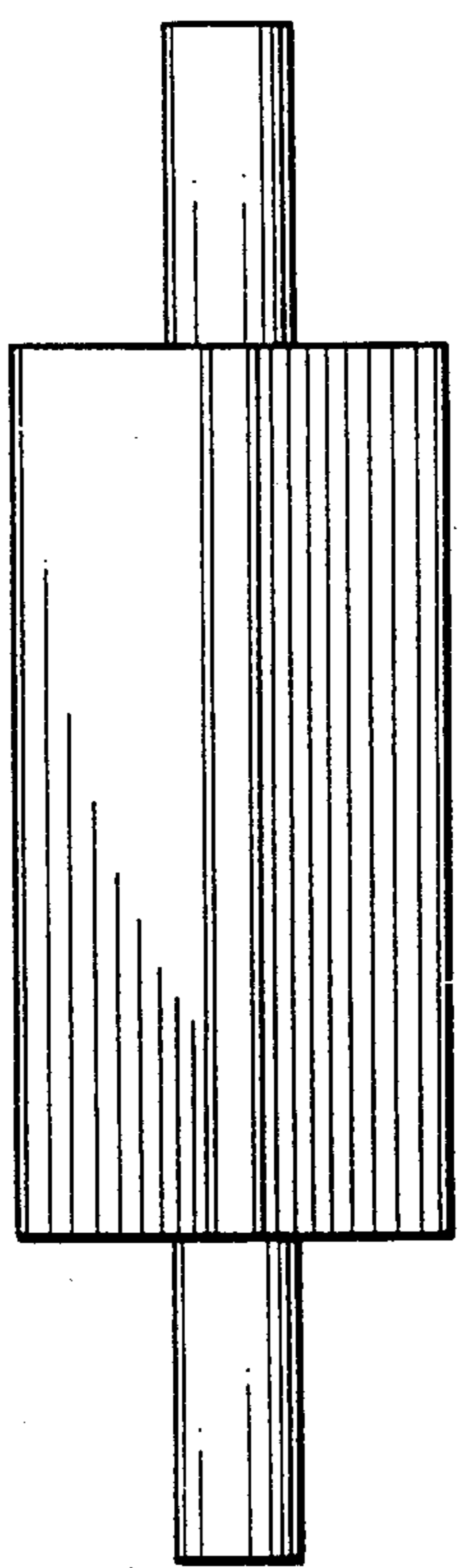


FIG. 9

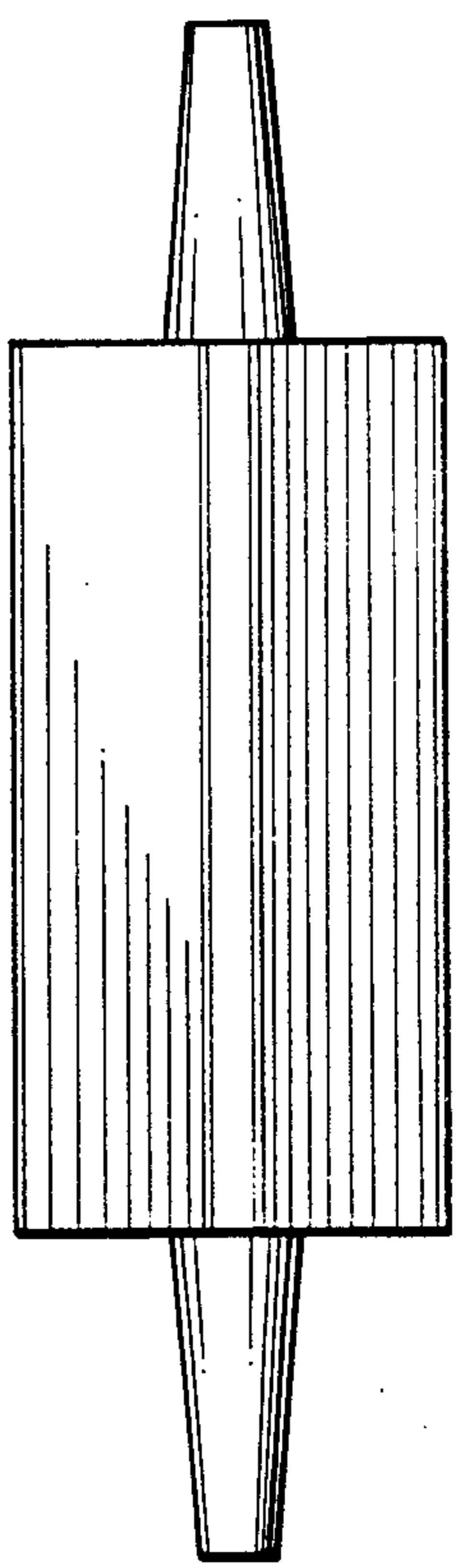


FIG. 10

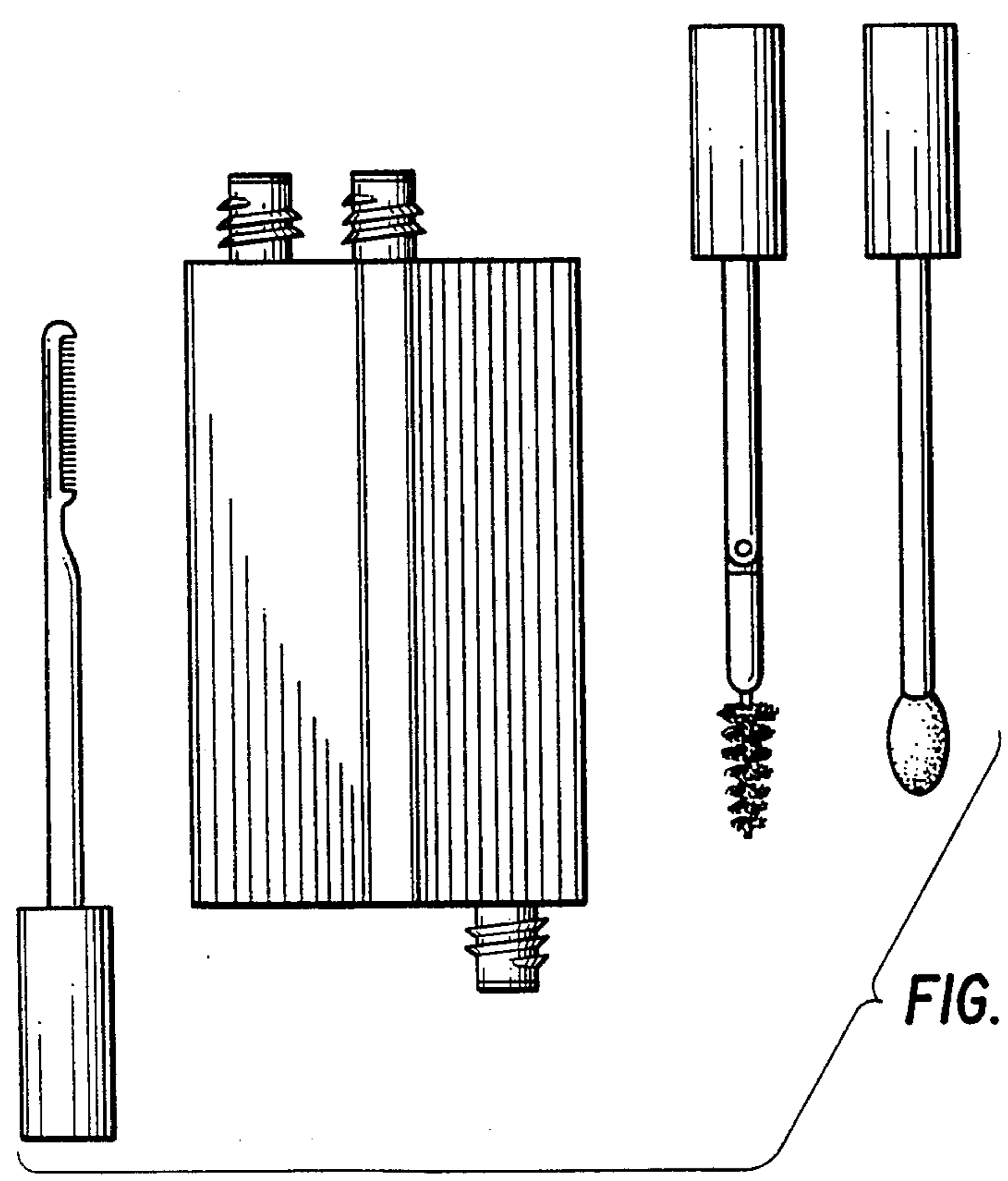


FIG. 8

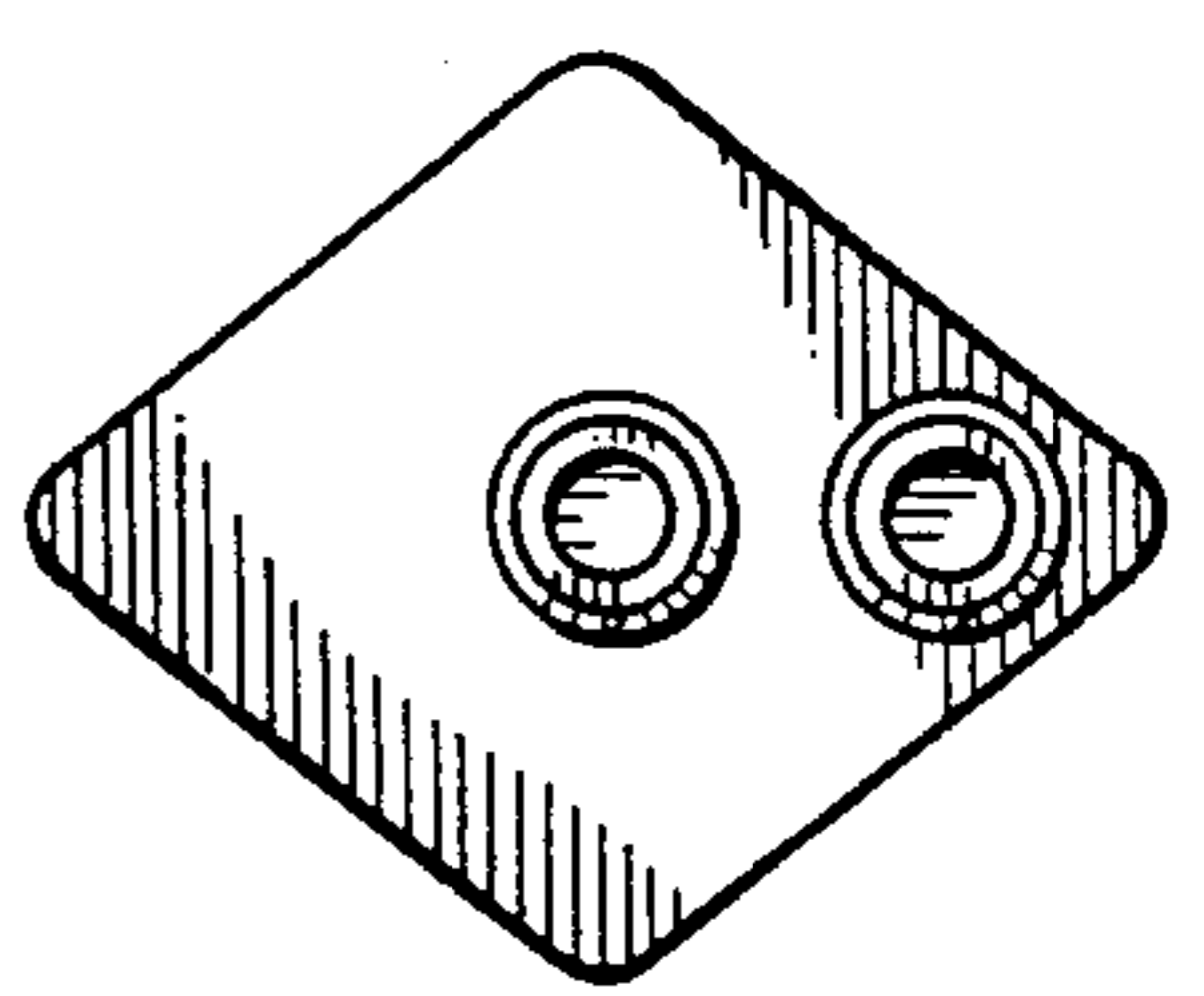


FIG. 11

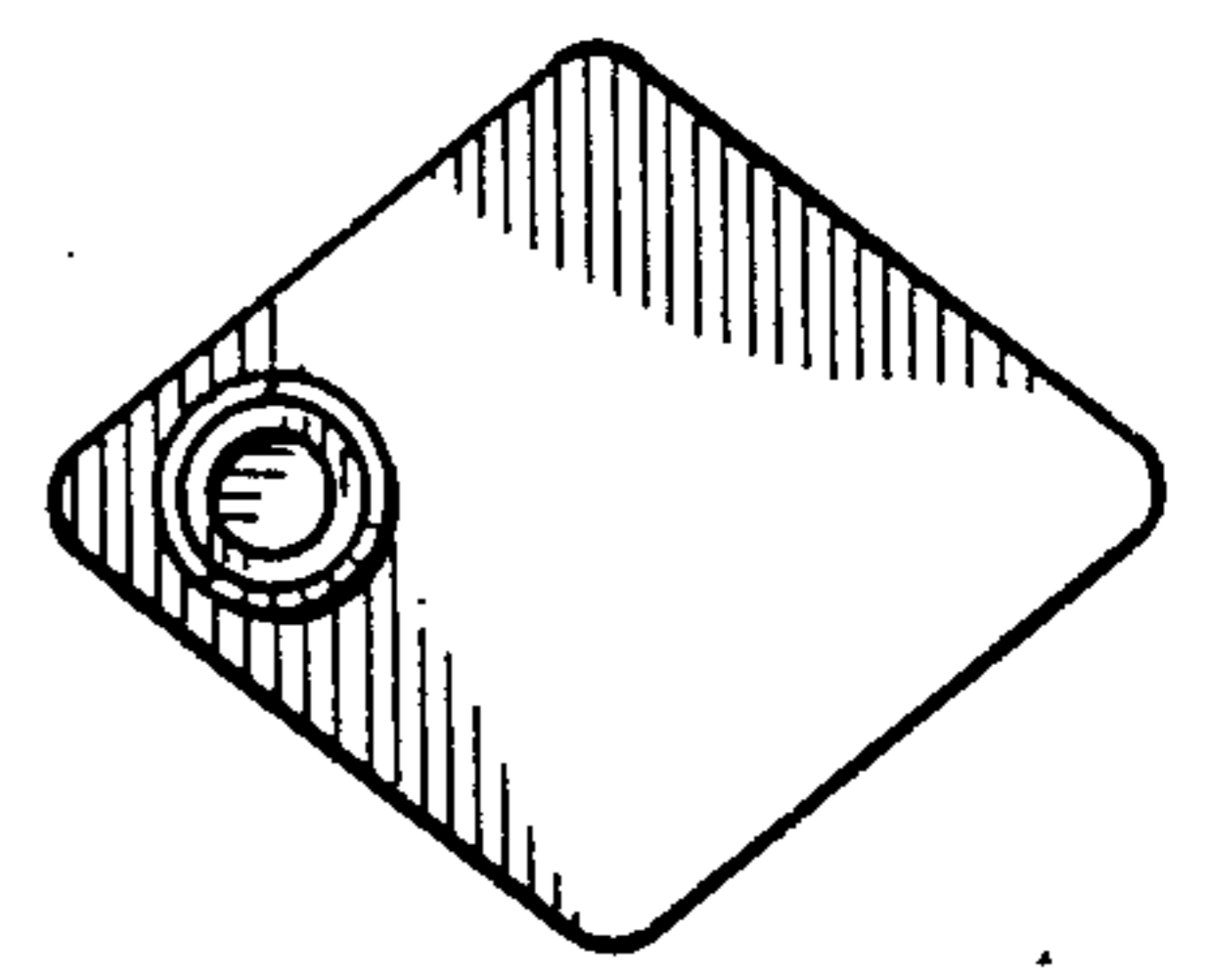


FIG. 12

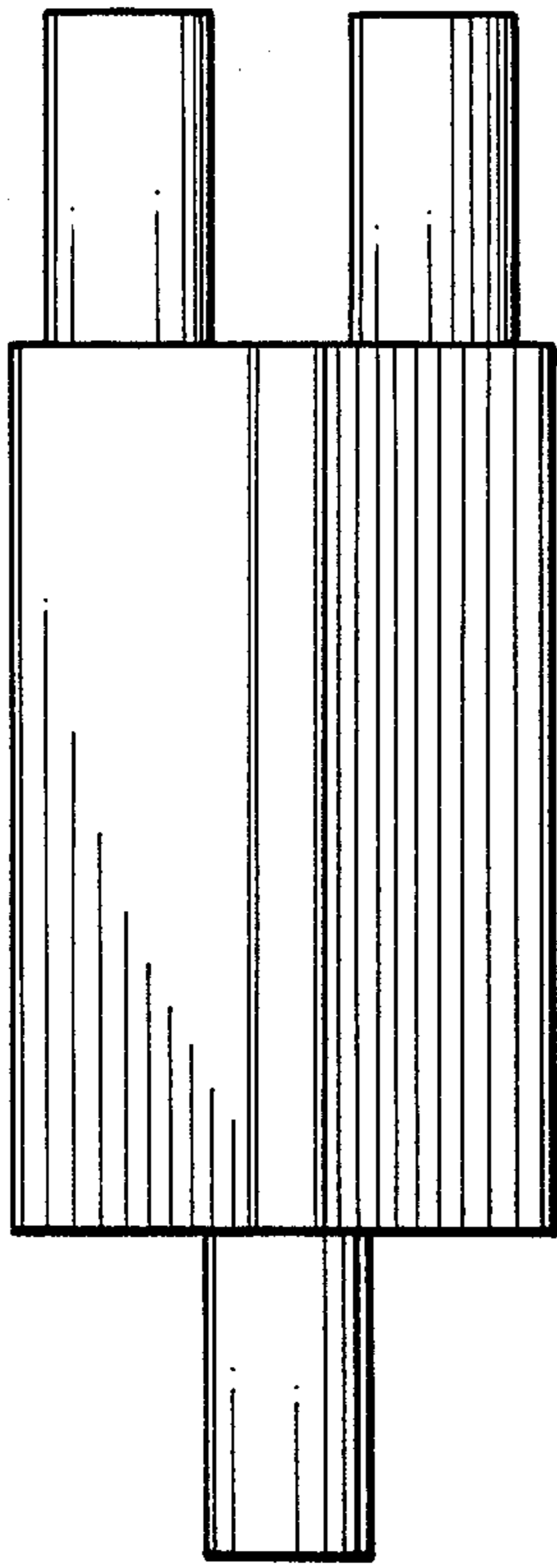


FIG. 13

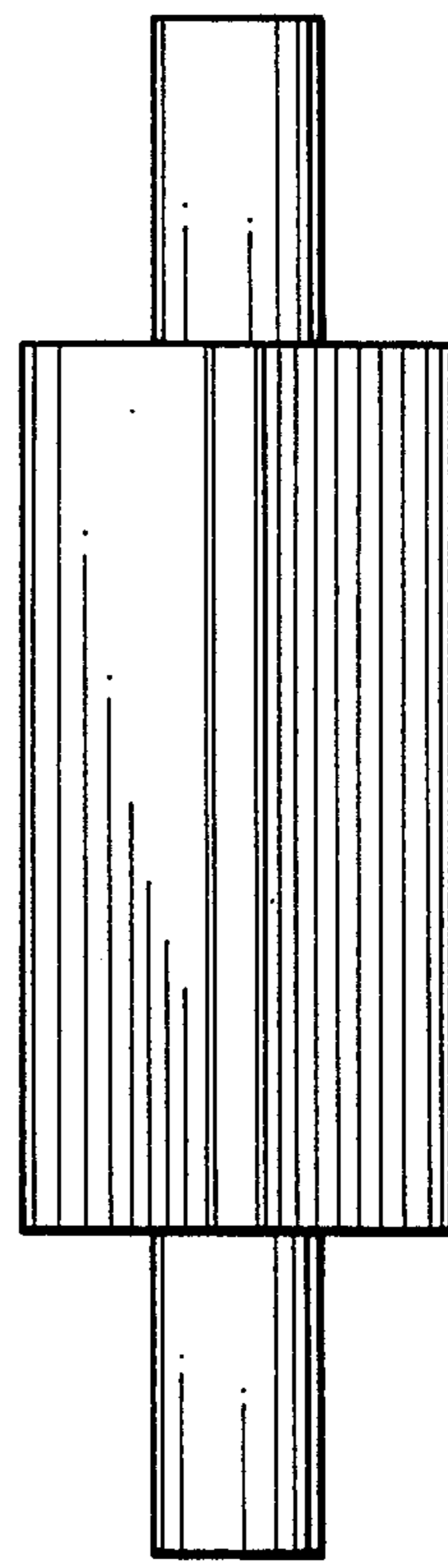


FIG. 14

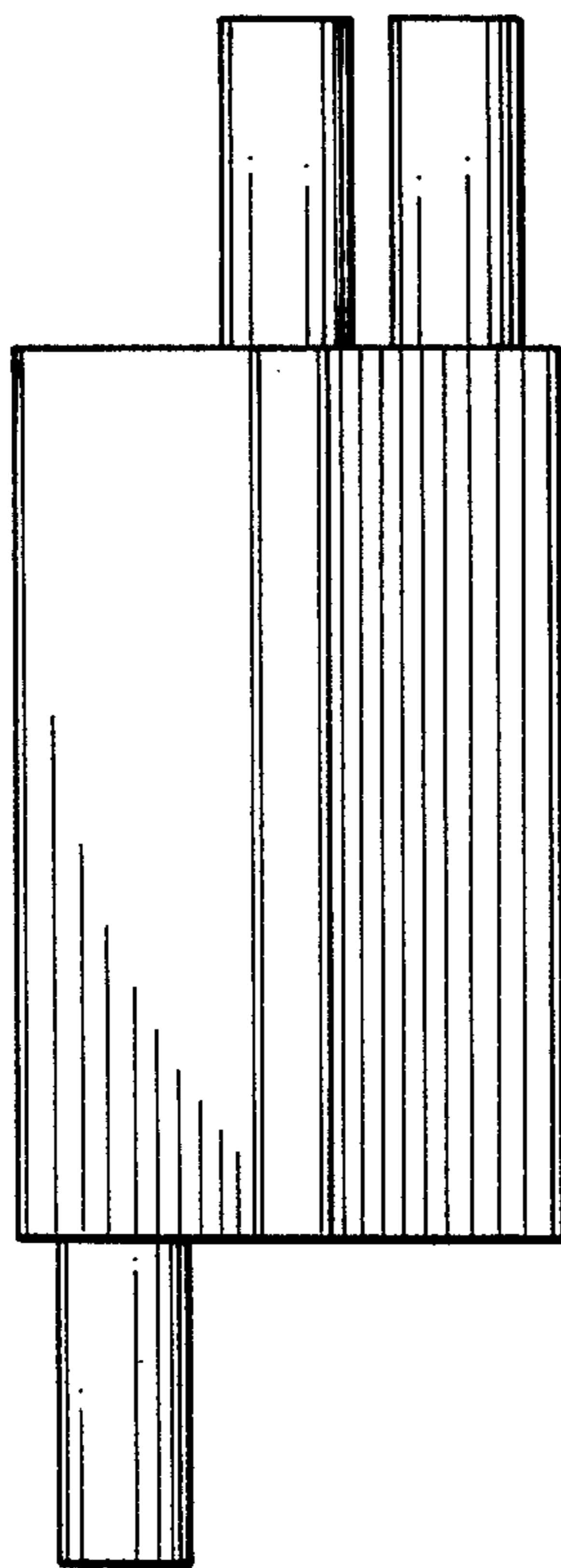


FIG. 15

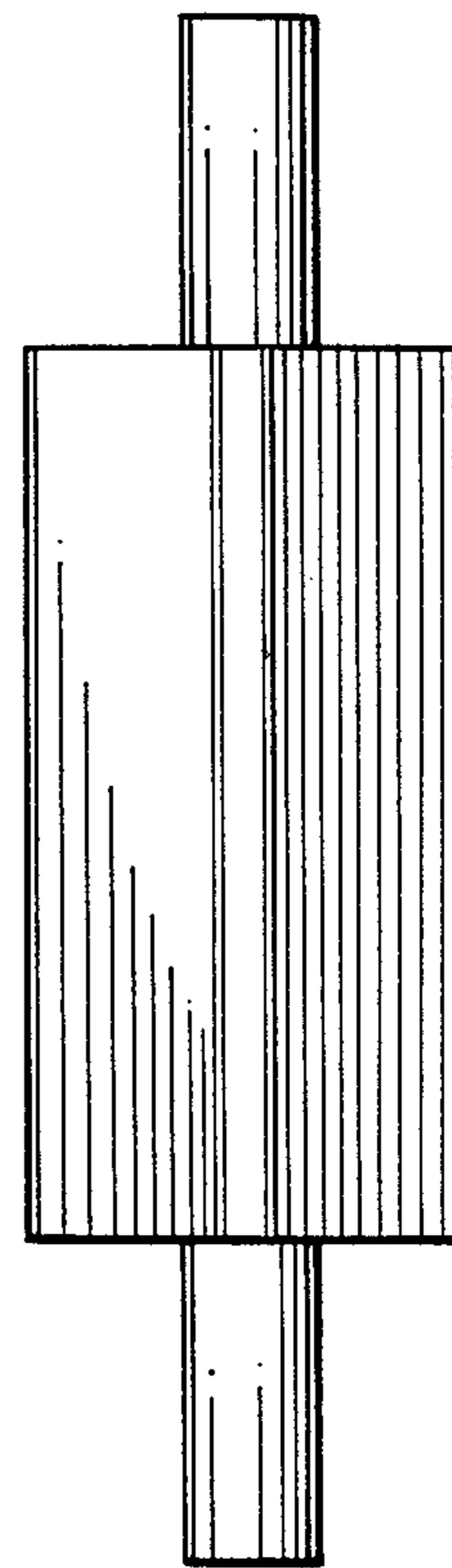


FIG. 16