

[54] SURGICAL INSTRUMENT FOR
ENDARTERECTOMIES

[75] Inventor: Timothy M. Scanlan, St. Paul, Minn.

[73] Assignee: Scanlan International, Inc., St. Paul, Minn.

[**] Term: 14 Years

[21] Appl. No.: 703,764

[22] Filed: Feb. 21, 1985

[52] U.S. Cl. D24/28; D24/26

[58] Field of Search D24/26, 28; 128/304,
128/305, 303 R; D8/14, 31, 107, 47, 83; 223/99;
D7/102, 103; D3/18, 28; 366/343, 605, 69;
140/32

[56] References Cited

U.S. PATENT DOCUMENTS

D. 176,191	4/1976	Morris	15/141 R
D. 240,495	7/1976	Koppe	D8/107 X
3,730,185	5/1973	Cook et al.	128/305 X
3,886,943	6/1975	Skiff et al.	128/305
4,378,811	4/1983	Levitan	128/304 X
4,559,927	12/1985	Chin	128/305 X

FOREIGN PATENT DOCUMENTS

505345 12/1954 Italy 223/99

OTHER PUBLICATIONS

Aloe Medical-Instruments Diagnostic/Surgical,
©1965, Currette, Item #C3099, p. 81.
Aloe Medical-Instruments Diagnostic/Surgical,
©1965, Duct Probe, Item #B1294, p. 114.

Primary Examiner—A. Hugo Word
Assistant Examiner—Stella M. Reid
Attorney, Agent, or Firm—Frederick A. Fleming

[57] CLAIM

The ornamental design for a surgical instrument for endarterectomies, as shown and described.

DESCRIPTION

FIG. 1 is a top plan view of a surgical instrument for endarterectomies showing my new design;
FIG. 2 is a side elevational view thereof;
FIG. 3 is an enlarged cross-sectional view taken along line 3—3 of FIG. 2; and
FIG. 4 is an enlarged end elevational view thereof.
The ornamental design for a surgical instrument for endarterectomies is characterized by a loop having two substantially parallel juxtaposed elongate limbs.

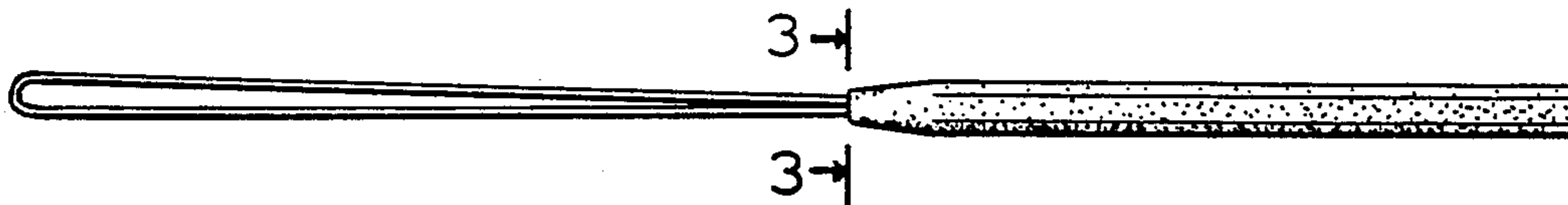


FIG. 1

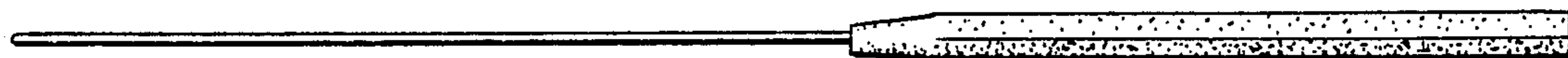


FIG. 2

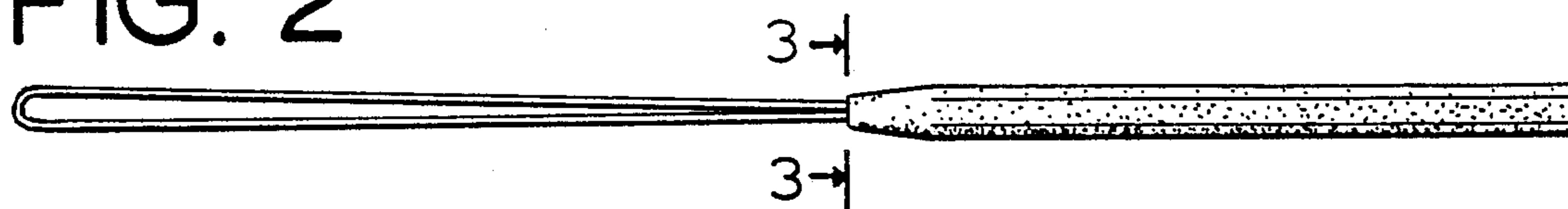


FIG. 3

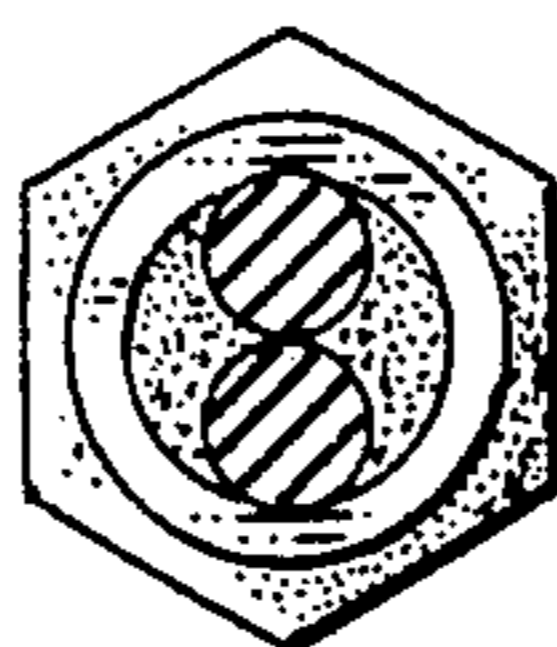


FIG. 4

