

[54] COMBINED WINDOW AND FLOOR FAN

[75] Inventor: Shao Shin-Chin, Taipai Hsin, Taiwan

[73] Assignee: Holmes Products Corp., Holliston, Mass.

[**] Term: 14 Years

[21] Appl. No.: 187,891

[22] Filed: Apr. 29, 1988

[52] U.S. Cl. D23/382; 416/246

[58] Field of Search D23/370, 381, 382; 98/94.1; 446/246; 416/247 R

[56] References Cited

U.S. PATENT DOCUMENTS

D. 164,139	7/1951	Sebastian	D23/382
2,487,294	11/1949	Belter	D23/370
2,857,095	10/1958	Suarez Grau	98/94.1
2,862,657	12/1958	Copeland et al.	416/247
2,961,152	11/1960	Douglas et al.	D23/370
4,222,318	9/1980	Patton et al.	416/247 R
4,341,151	7/1982	Sakamoto	D23/382

OTHER PUBLICATIONS

Lakewood Fan Catalogue, p. 9, Deluxe High Velocity Reversible Window Fan, middle of page.

Primary Examiner—Susan J. Lucas
Assistant Examiner—Lisa Lichtenstein
Attorney, Agent, or Firm—Irving M. Kriegsman

[57] CLAIM

The ornamental design for a combined window and floor fan, as shown and described.

DESCRIPTION

FIG. 1 is a perspective view of a combined window and floor fan arranged for use in a window, showing my new design;

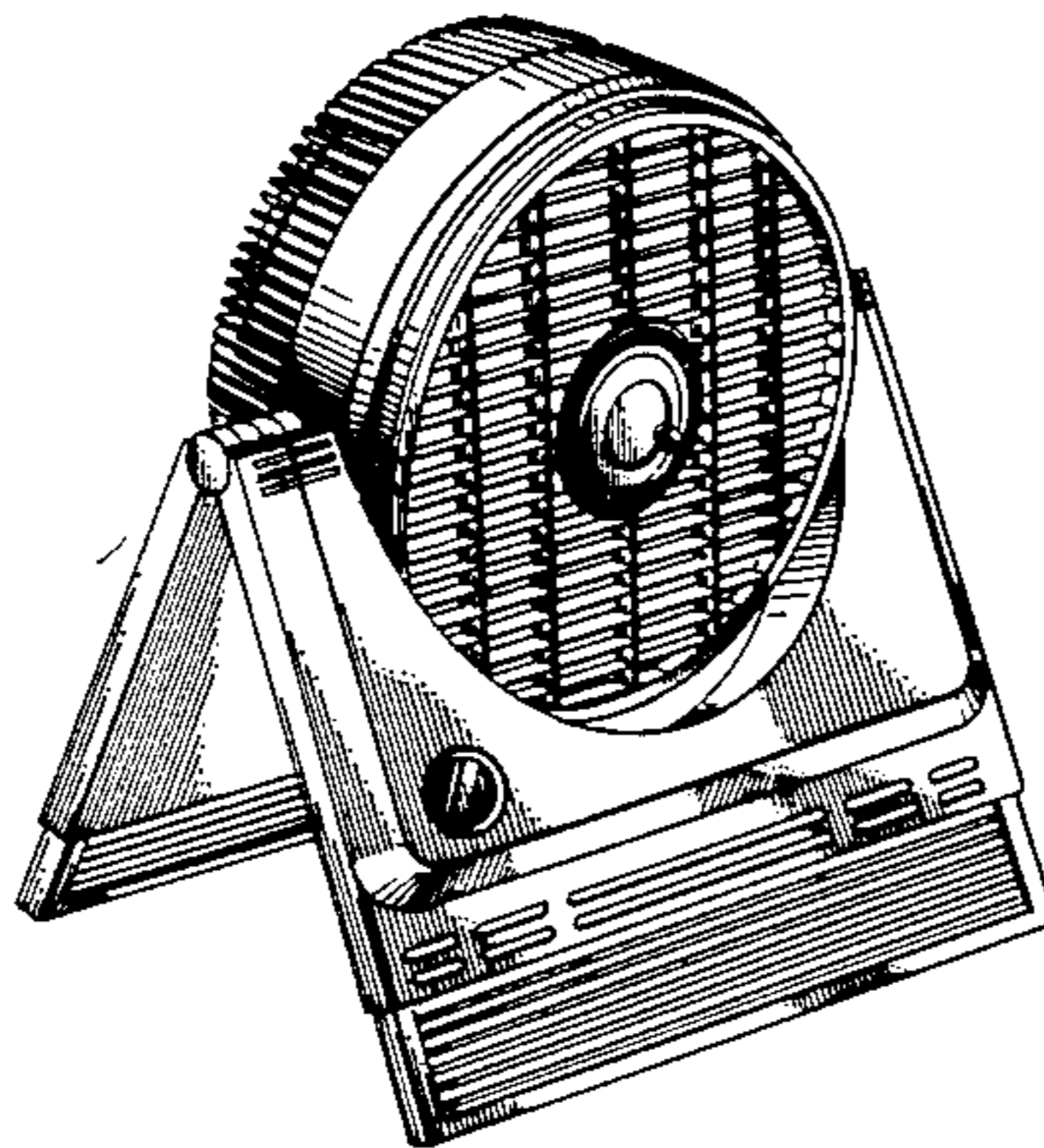
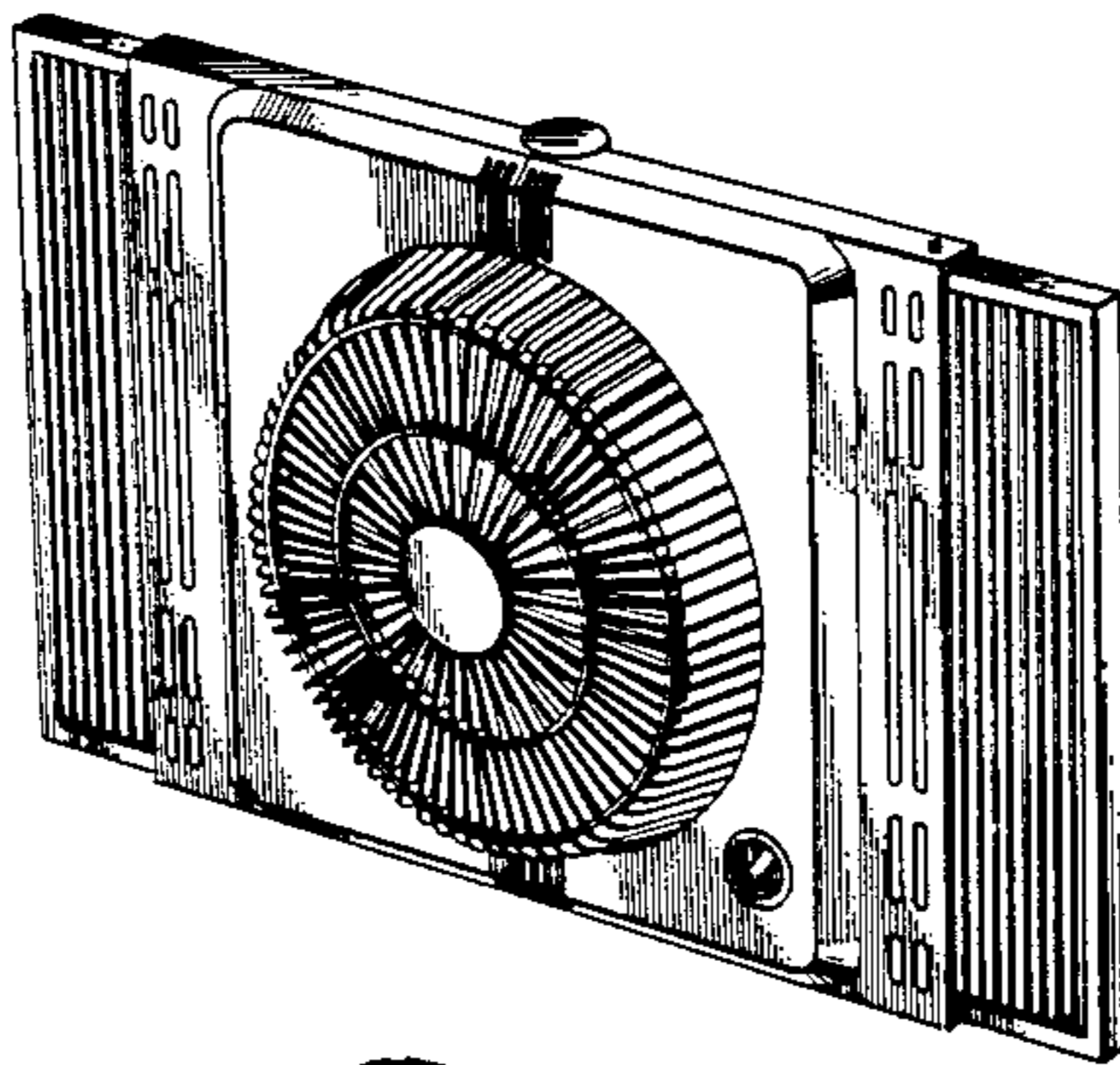
FIG. 2 is a front elevational view thereof;

FIG. 3 is a top plan view thereof;

FIG. 4 is a right side elevation view thereof, the left side being a mirror image of that shown;

FIG. 5 is a rear elevation view thereof; and

FIG. 6 is a rear perspective view thereof, arranged for use as a floor fan.



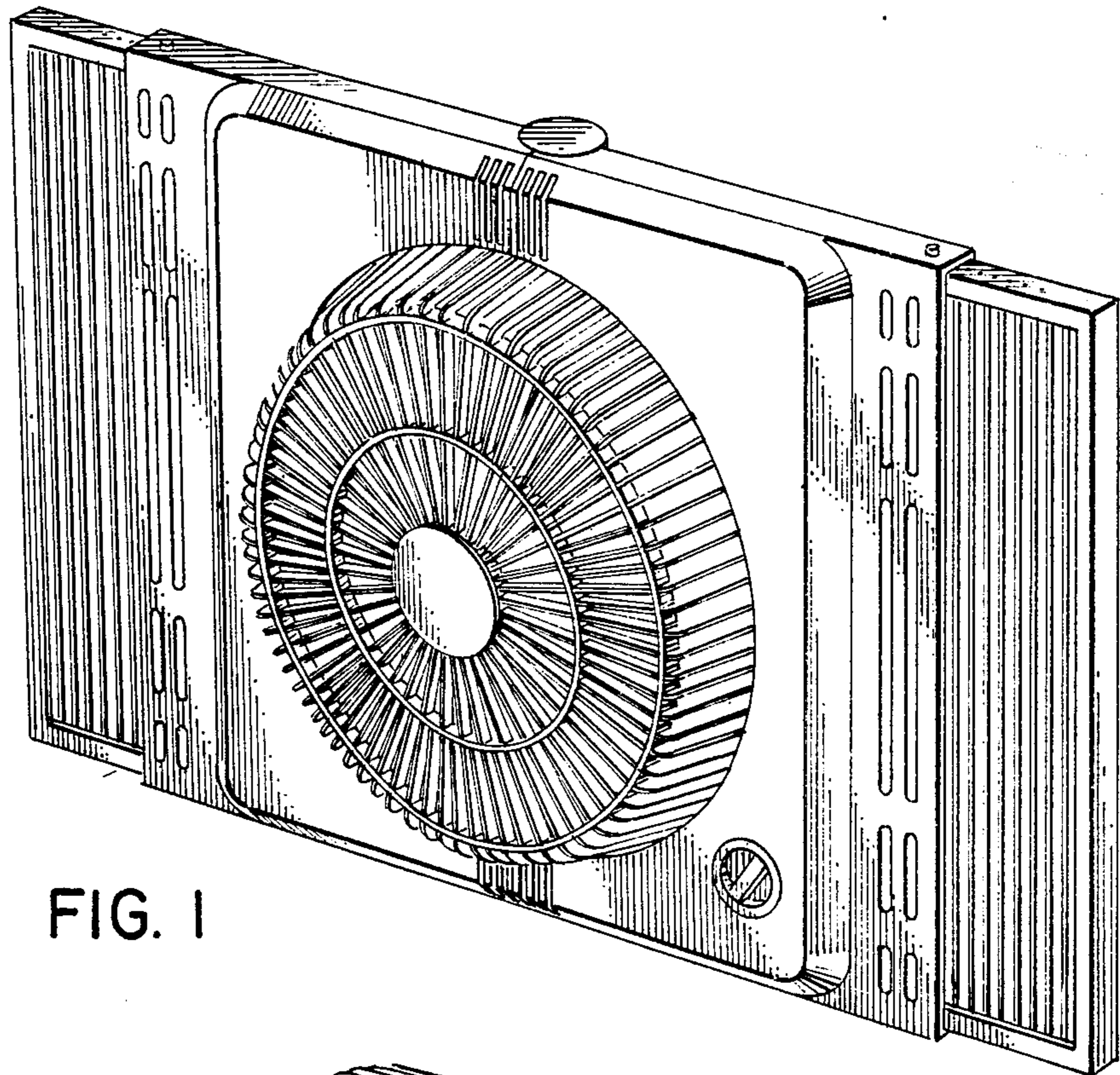


FIG. 1

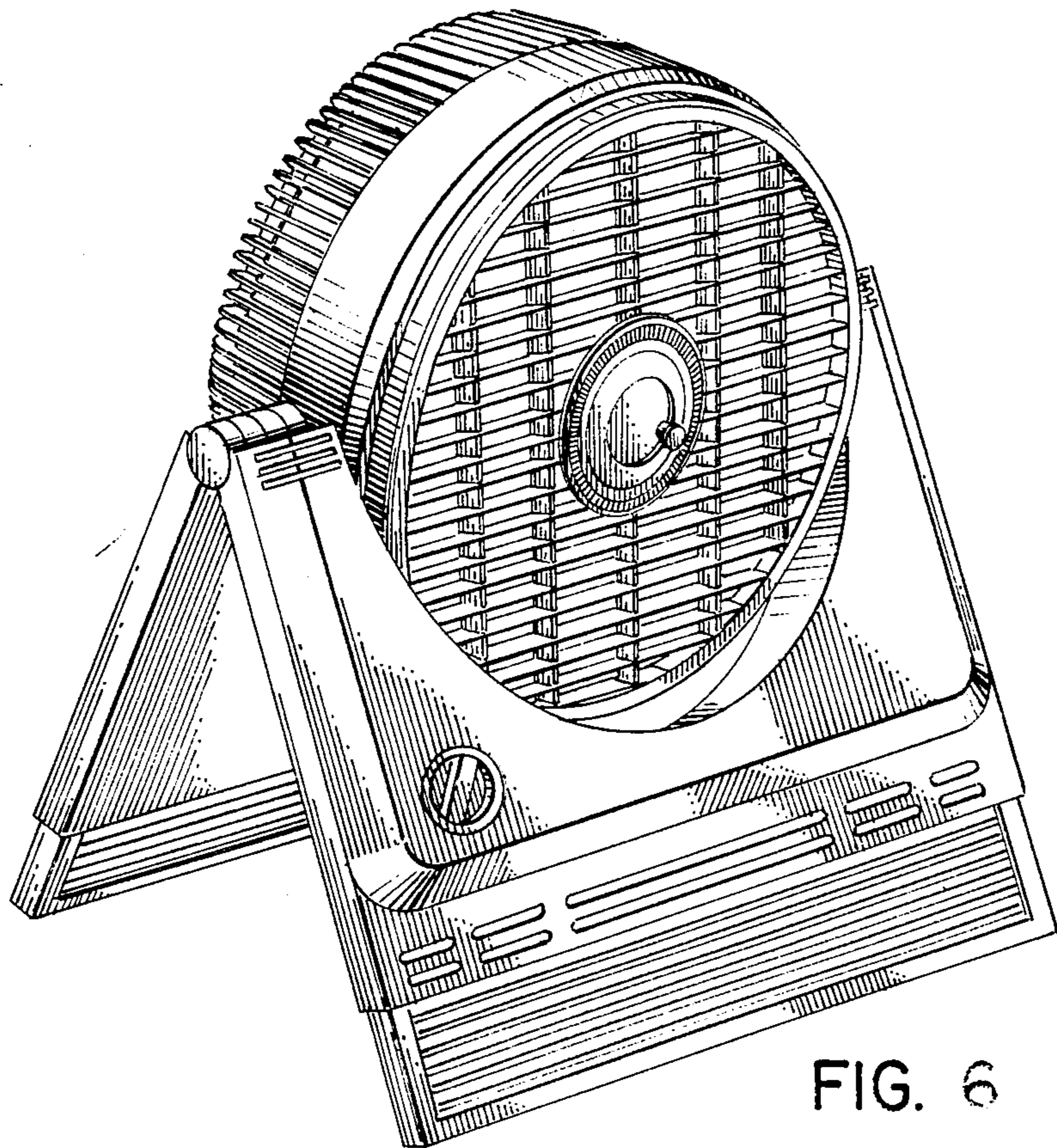


FIG. 6

FIG. 4

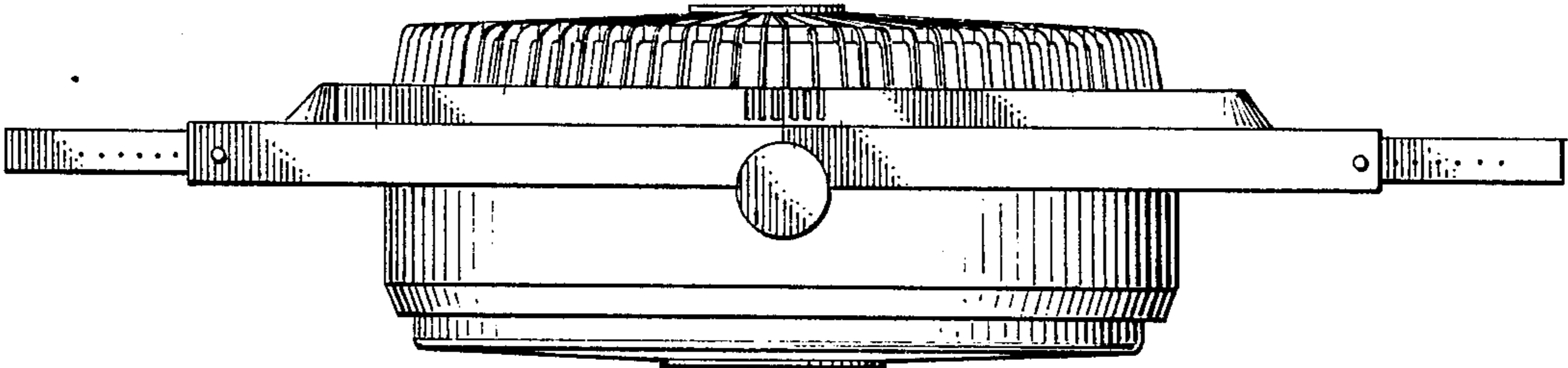
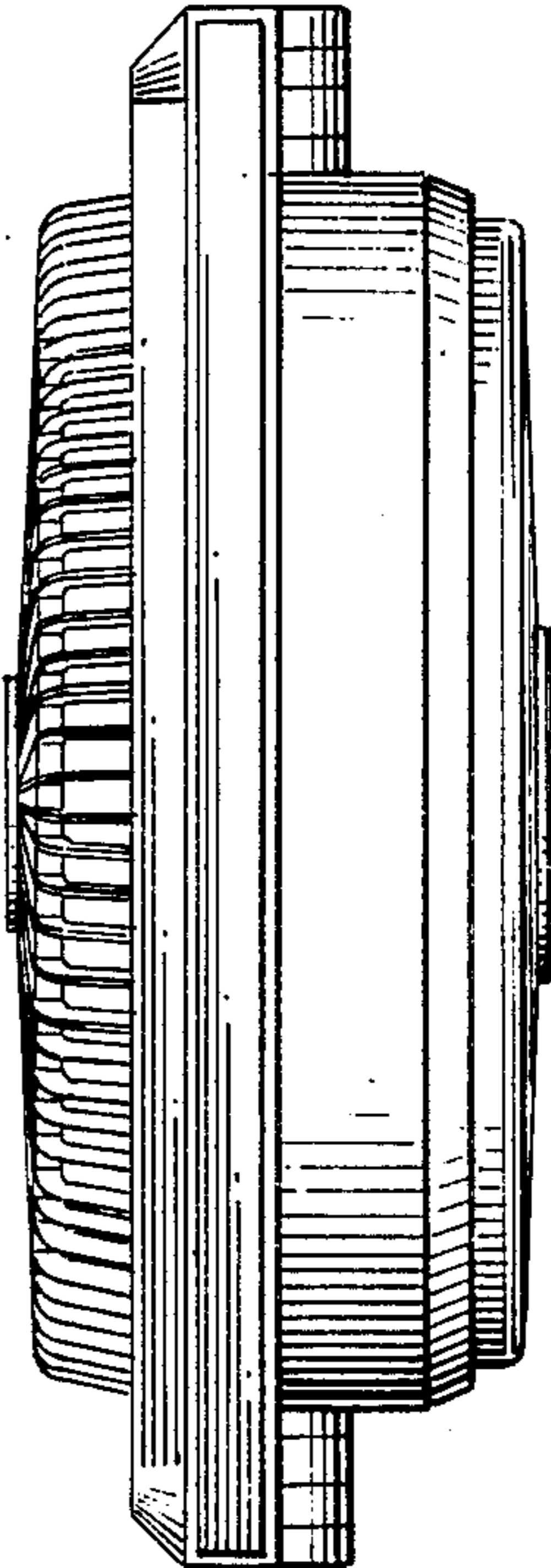


FIG. 3

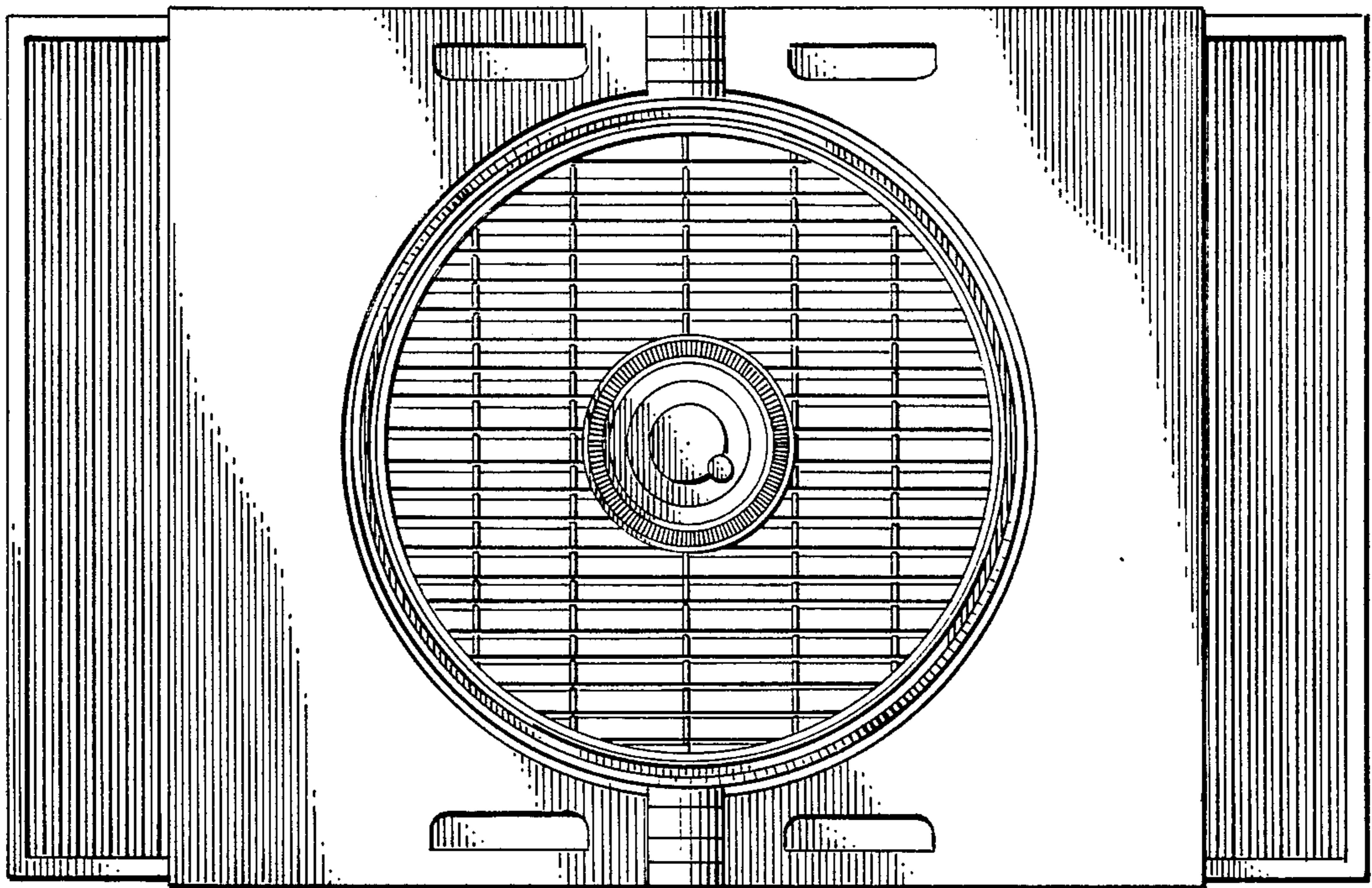


FIG. 5

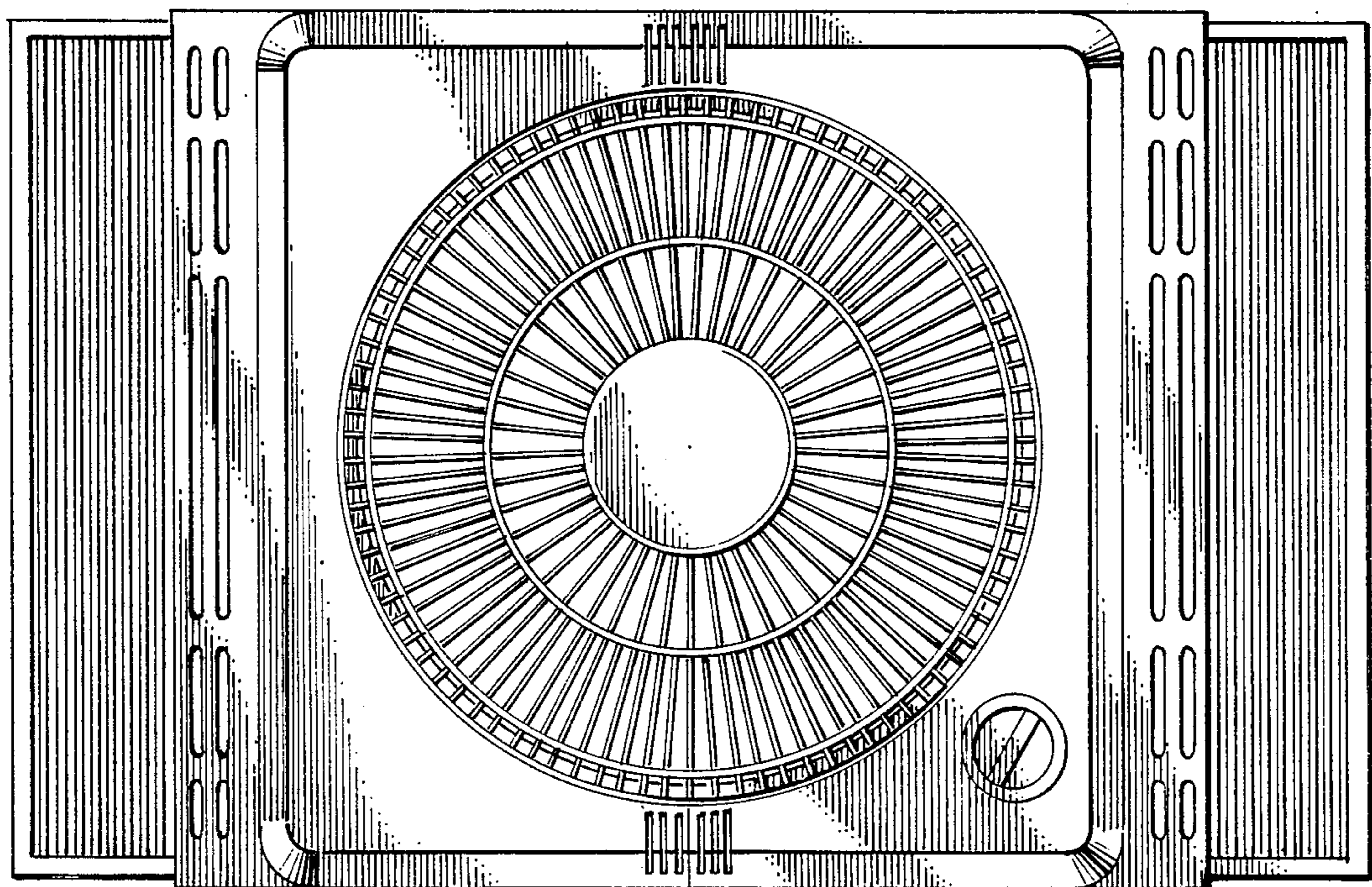


FIG. 2