

[54] GOLF PUTTER HEAD

[75] Inventors: Brian A. Doran, Buellton, Calif.;  
Robert H. Redkey, 1630 Maple,  
Solvang, Calif. 93463

[73] Assignee: Robert H. Redkey, Solvang, Calif.

[\*\*] Term: 14 Years

[21] Appl. No.: 24,549

[22] Filed: Mar. 11, 1987

[52] U.S. Cl. .... D21/215

[58] Field of Search ..... D21/214-220;  
273/167-175, 163, 77, 78

[56] References Cited

U.S. PATENT DOCUMENTS

- D. 230,615 3/1974 Delgadillo ..... D21/215
- D. 241,563 9/1976 McCord ..... D21/215

3,408,074 10/1968 Antonious ..... 273/169  
4,314,701 2/1982 Swanson ..... 273/167 J

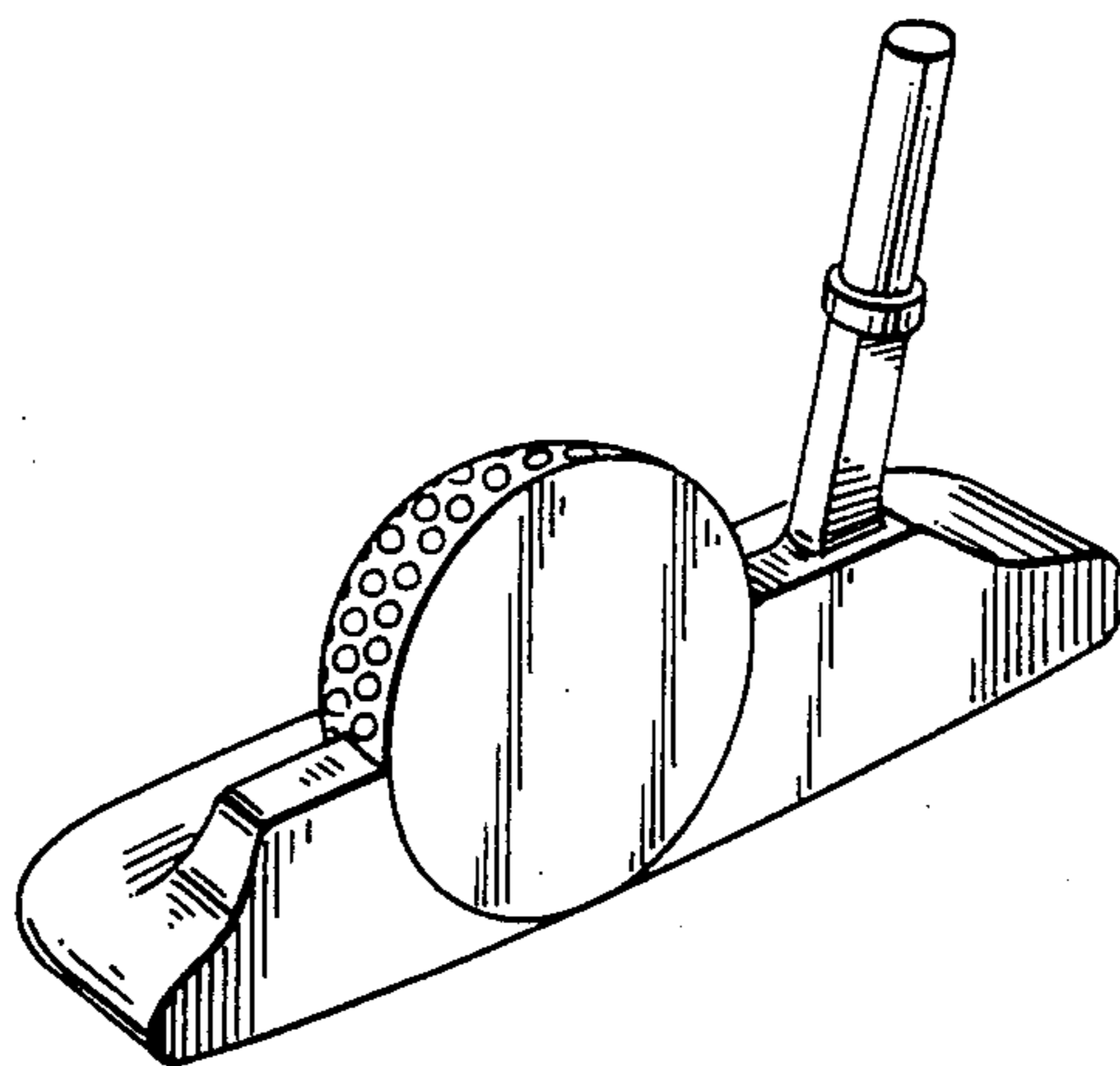
Primary Examiner—Melvin B. Feifer  
Attorney, Agent, or Firm—Price, Gess & Ubell

[57] CLAIM

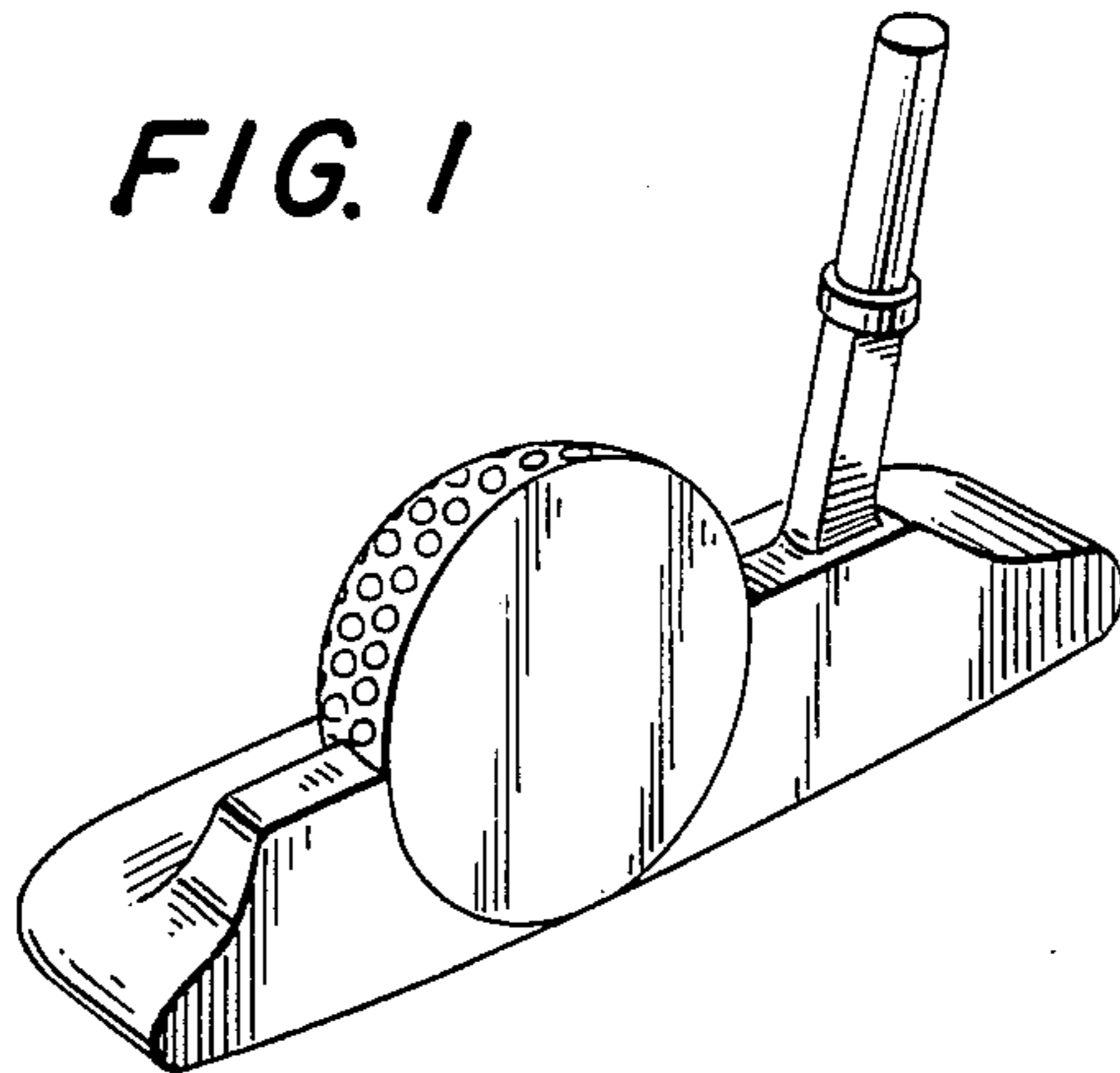
The ornamental design for golf putter head, as shown and described.

DESCRIPTION

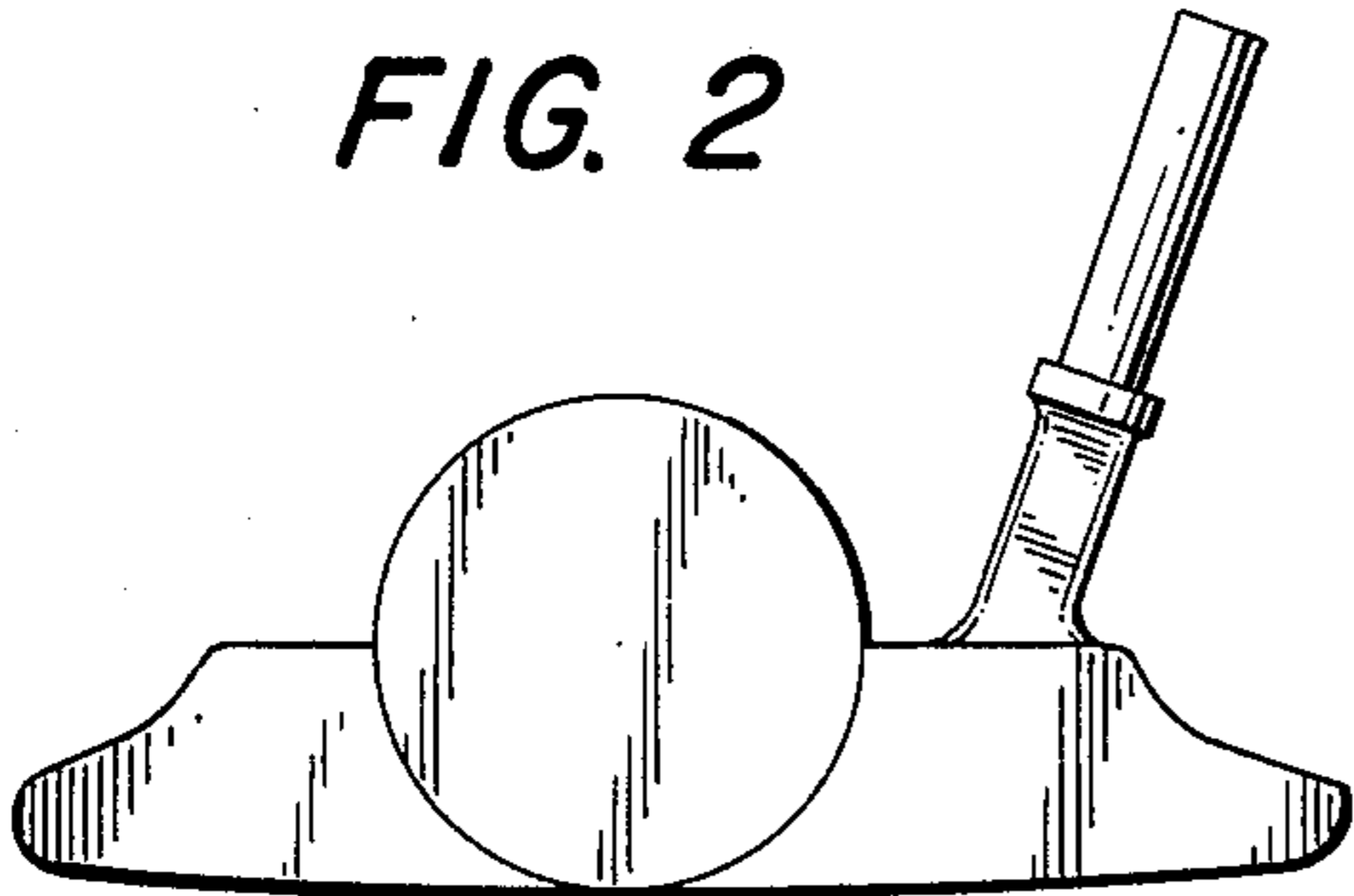
FIG. 1 is a perspective view of a golf putter head showing our new design;  
 FIG. 2 is a front elevational view thereof;  
 FIG. 3 is a rear elevational view thereof;  
 FIG. 4 is a top view thereof;  
 FIG. 5 is a bottom view thereof;  
 FIG. 6 is a side elevational view thereof taken from the left of FIG. 1;  
 FIG. 7 is a side elevational view thereof taken from the right of FIG. 1.



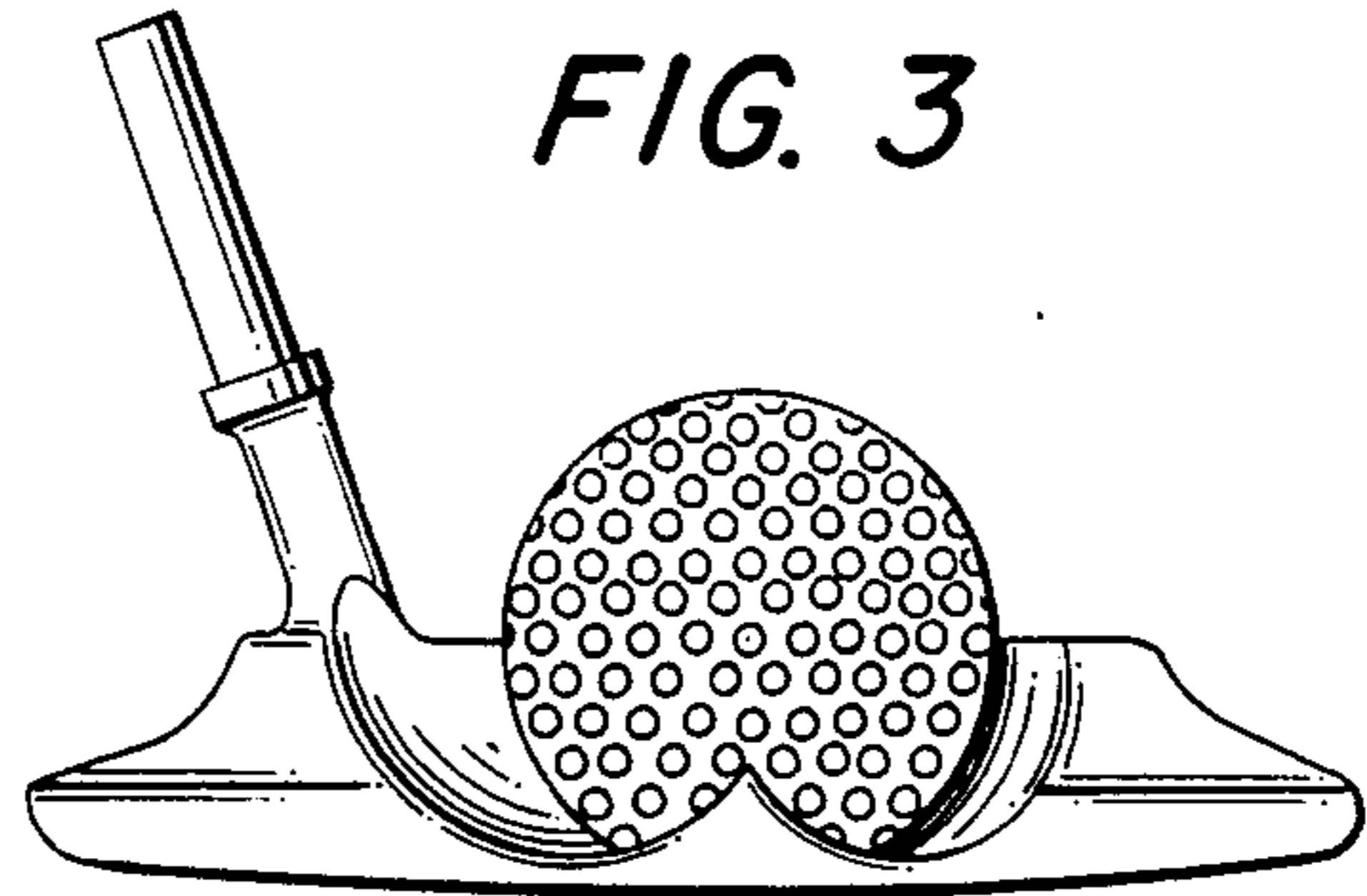
*FIG. 1*



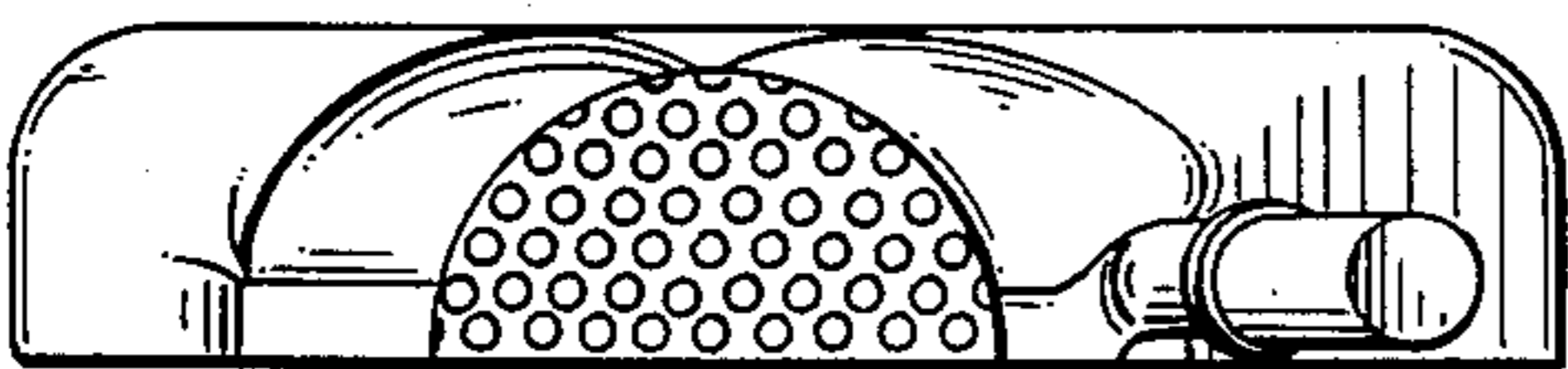
*FIG. 2*



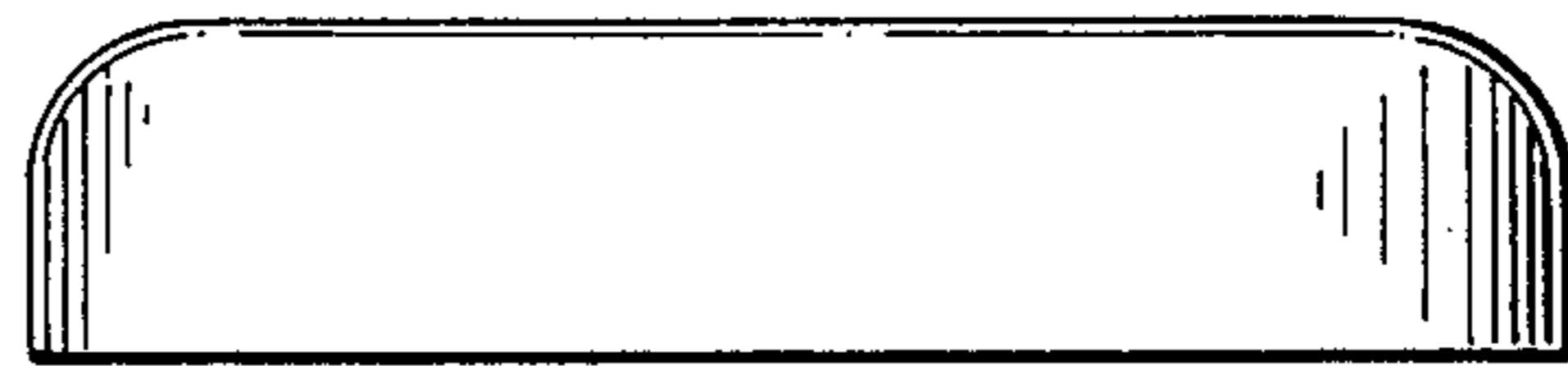
*FIG. 3*



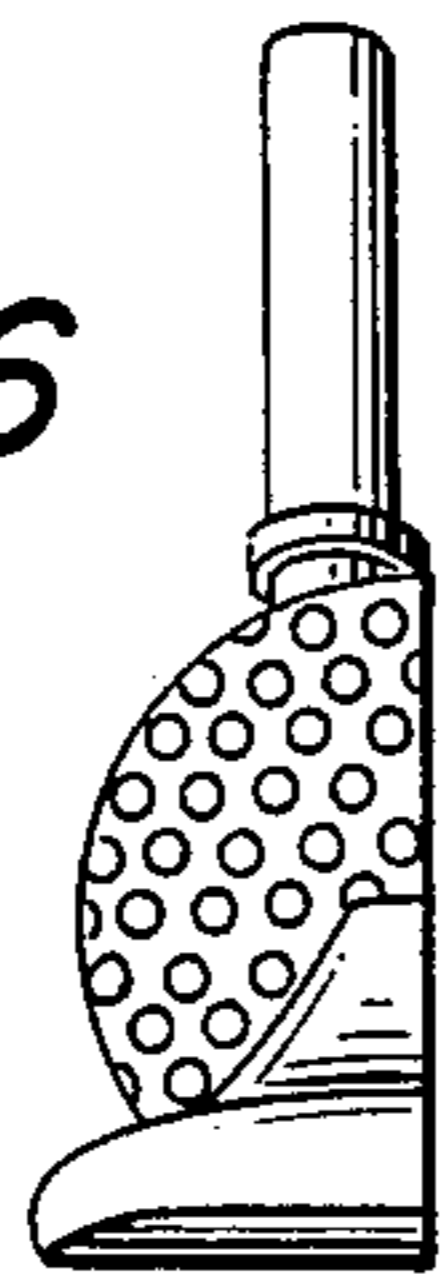
*FIG. 4*



*FIG. 5*



*FIG. 6*



*FIG. 7*

