

[54] **PHOTOGRAPHY SUPPORT BRACKET**

[76] **Inventor: Mark A. Ginder, 65 Hendricks Isle #1, Ft. Lauderdale, Fla. 33301**

[\*\*] **Term: 14 Years**

[21] **Appl. No.: 888,986**

[22] **Filed: Jul. 24, 1986**

[52] **U.S. Cl. .... D16/242; 248/200; 354/293; D8/355**

[58] **Field of Search ..... D8/354, 355; D16/242, D16/237; 354/293; 248/241, 200, 205.1**

[56] **References Cited**

**U.S. PATENT DOCUMENTS**

|            |        |                    |           |
|------------|--------|--------------------|-----------|
| D. 265,657 | 8/1982 | Lovell .....       | D16/237   |
| D. 289,772 | 5/1987 | Young et al. ....  | D16/242   |
| 1,900,020  | 3/1933 | McCandless .....   | 354/293   |
| 2,668,744  | 2/1954 | Cockrell .....     | 248/205.1 |
| 2,982,508  | 5/1961 | Larsen et al. .... | 248/205.1 |

**OTHER PUBLICATIONS**

*Quick-Set Inc., Cine-Special Adapter, 1983, Cat. No. 5521.*

*Design News, 6/6/1983, p. 141, vol. 38, May-Jun.*

*Primary Examiner—Nelson C. Holtje*

*Assistant Examiner—Caron D. Veynar*

[57] **CLAIM**

The ornamental design for a photography support bracket, as shown and described.

**DESCRIPTION**

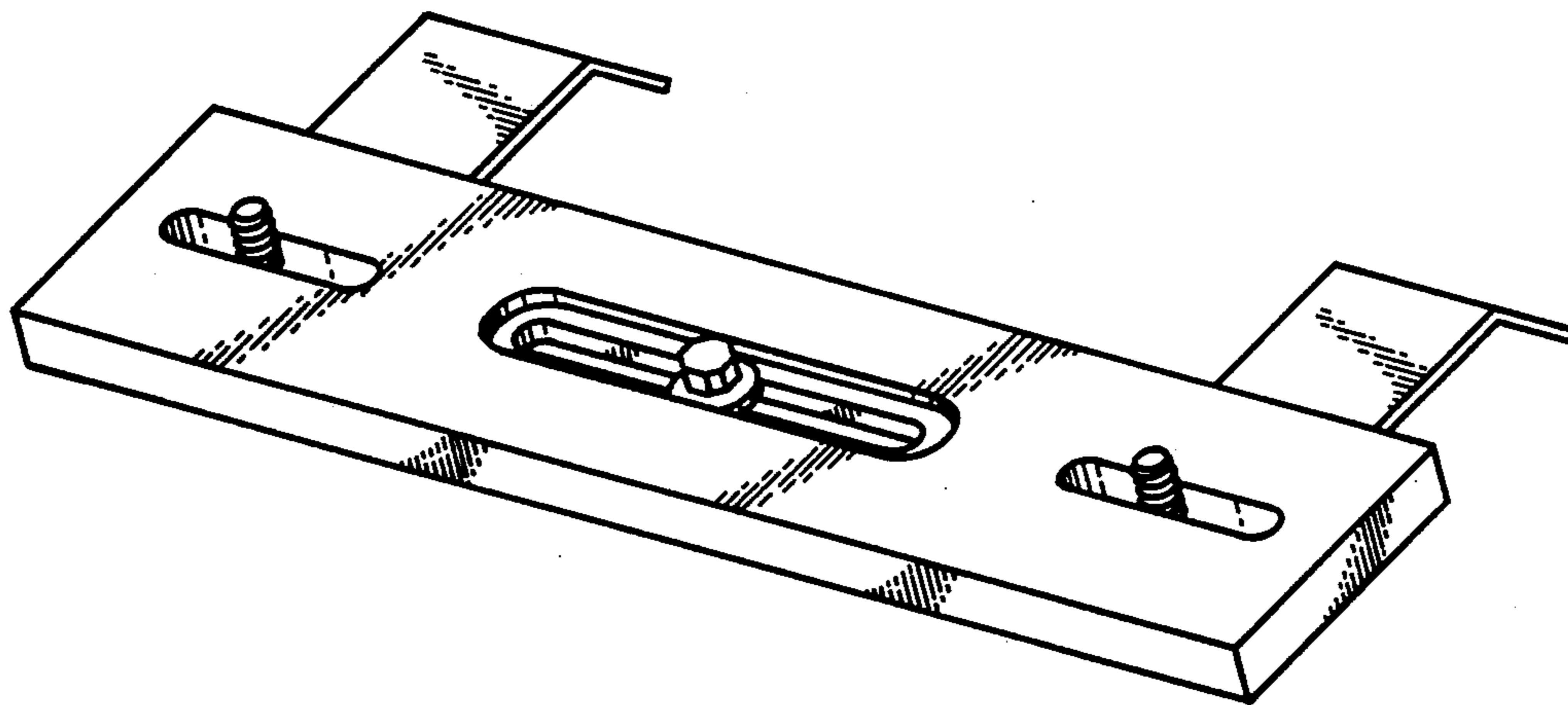
FIG. 1 is a perspective view of a photography support bracket showing my new design;

FIG. 2 is a left side elevational view thereof;

FIG. 3 is a right side elevational view thereof;

FIG. 4 is a bottom plan view thereof;

FIG. 5 is a right end elevational view thereof, the left end view being a mirror image thereof.



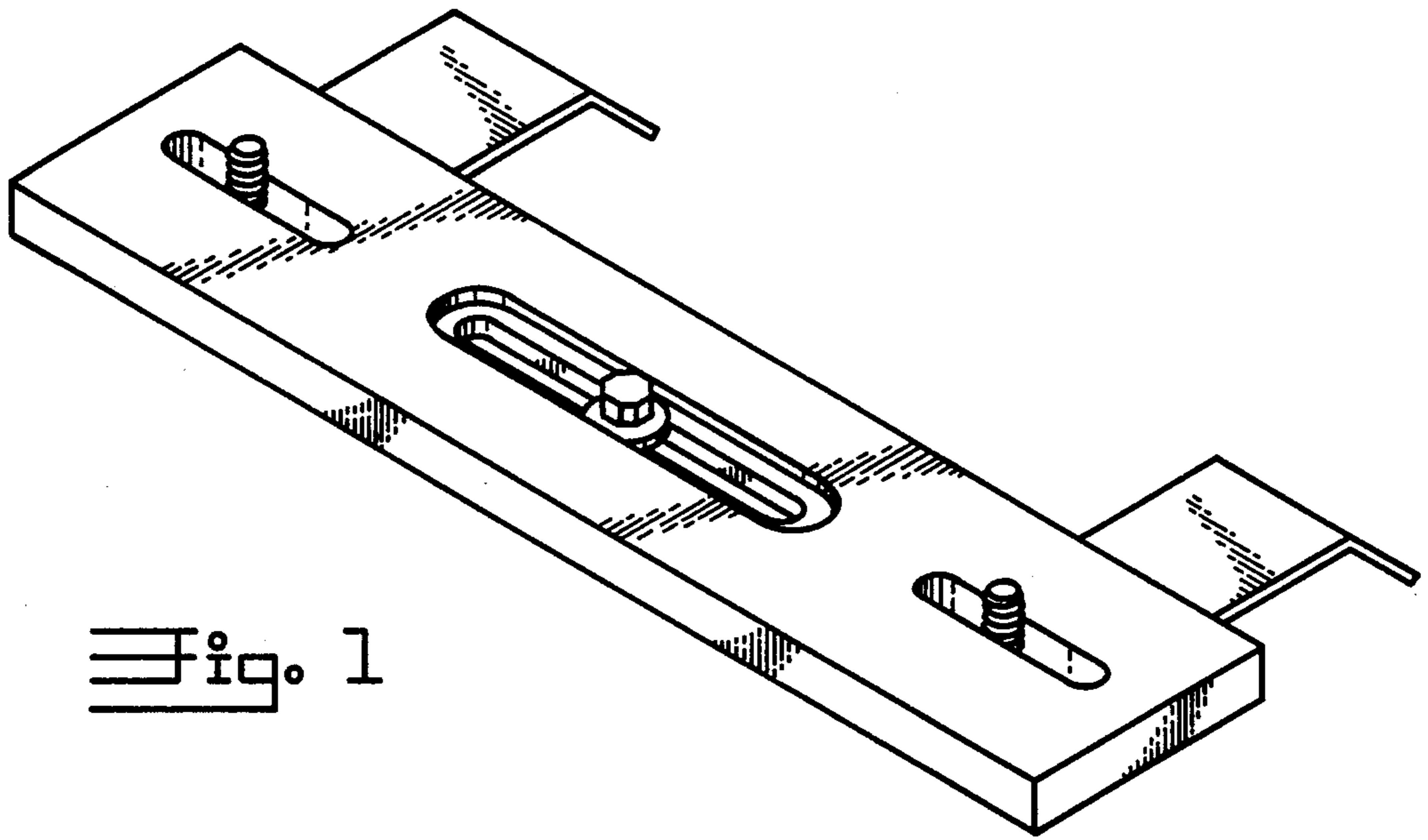


Fig. 1

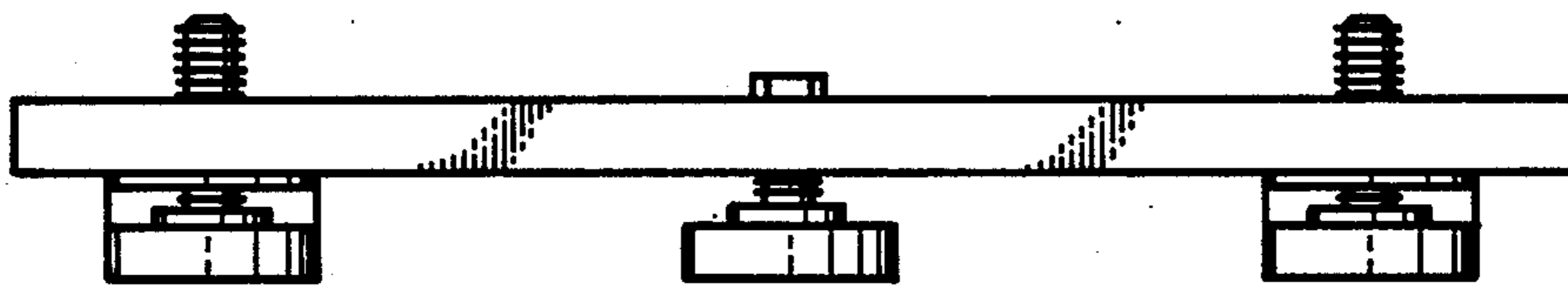


Fig. 2

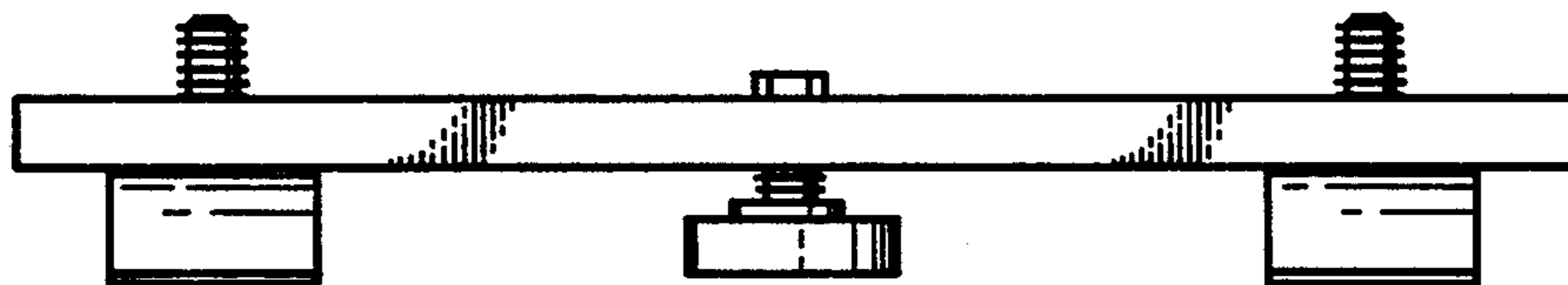


Fig. 3

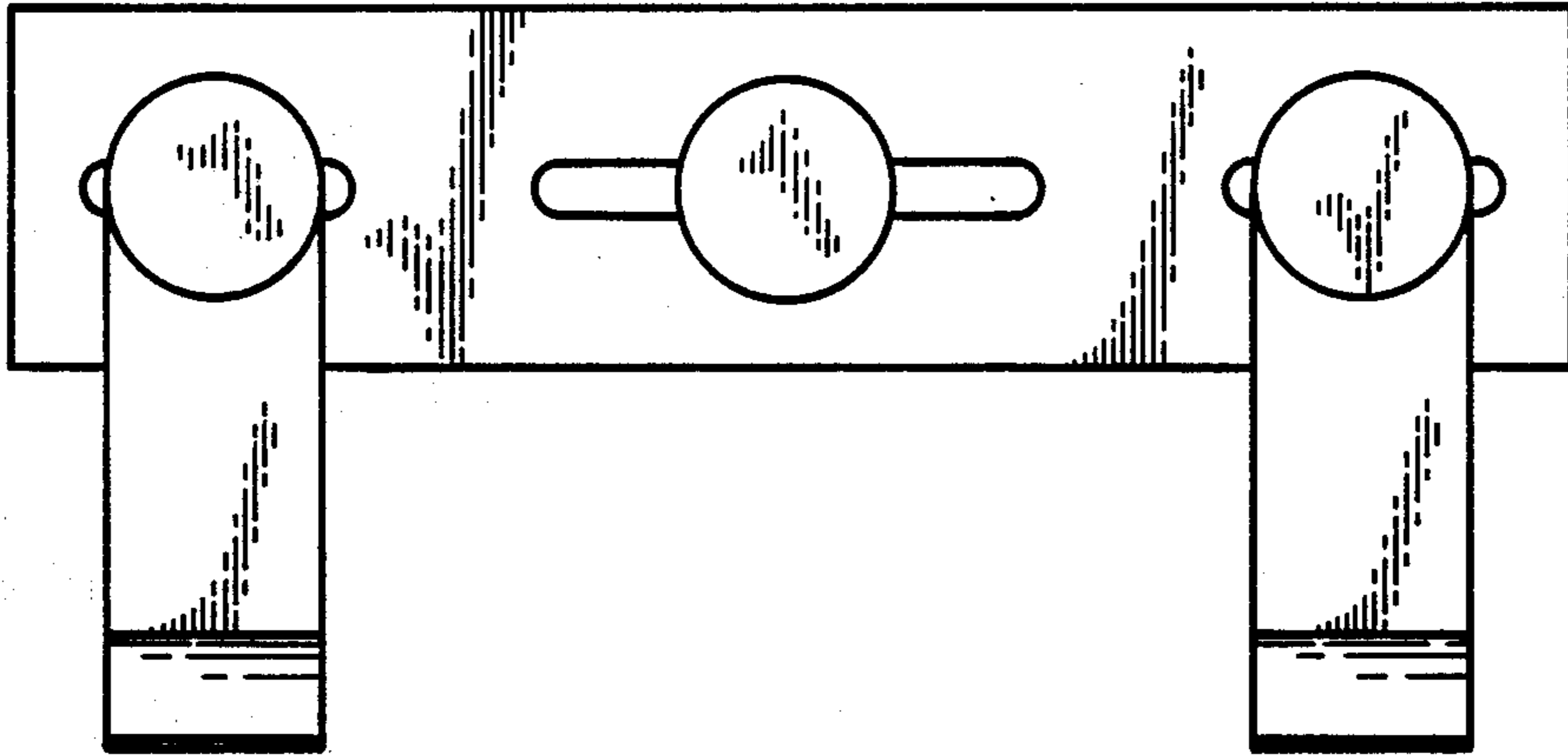


Fig. 4

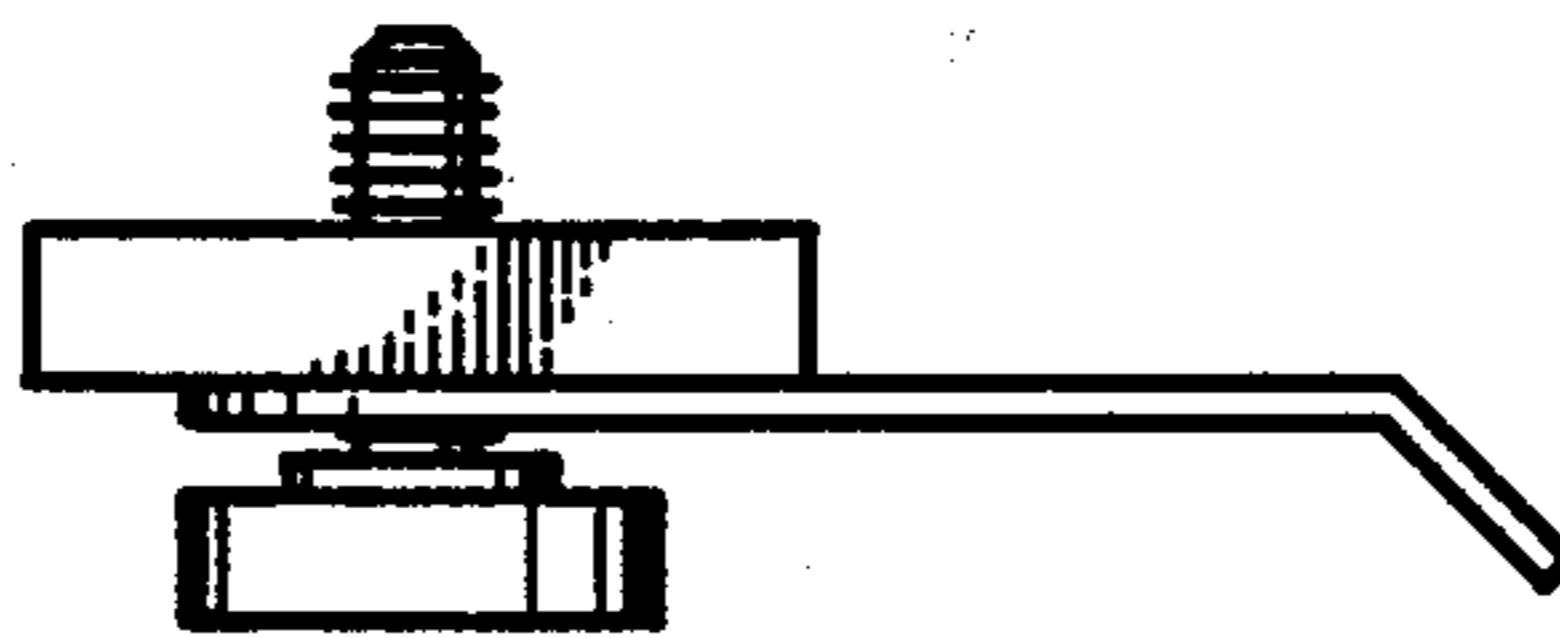


Fig. 5