

United States Patent [19]

Del Corno et al.

[11] Patent Number: Des. 307,284

[45] Date of Patent: ** Apr. 17, 1990

[54] PORTABLE SPECTROPHOTOMETER

[75] Inventors: Marco Del Corno; Sergio Zeni, both of Milan, Italy

[73] Assignee: Maxmeyer-Duco MM.D. S.p.A., Milan, Italy

[**] Term: 14 Years

[21] Appl. No.: 221,626

[22] Filed: Jul. 20, 1988

[30] Foreign Application Priority Data

Jan. 27, 1988 [IT] Italy 20522/88[U]

[52] U.S. Cl. D16/130; D10/47; D26/48

[58] Field of Search D16/130; D10/41, 47; D26/37, 46, 48, 50; 356/319, 320, 334; 378/101, 102, 91, 121, 103, 110; 250/428, 227

[56] References Cited

U.S. PATENT DOCUMENTS

D. 162,750 4/1951 Polye et al. D10/47
D. 175,284 8/1955 Wagenseller D10/47
D. 254,395 3/1980 Klawitter D26/48
3,878,394 4/1975 Golden 378/102

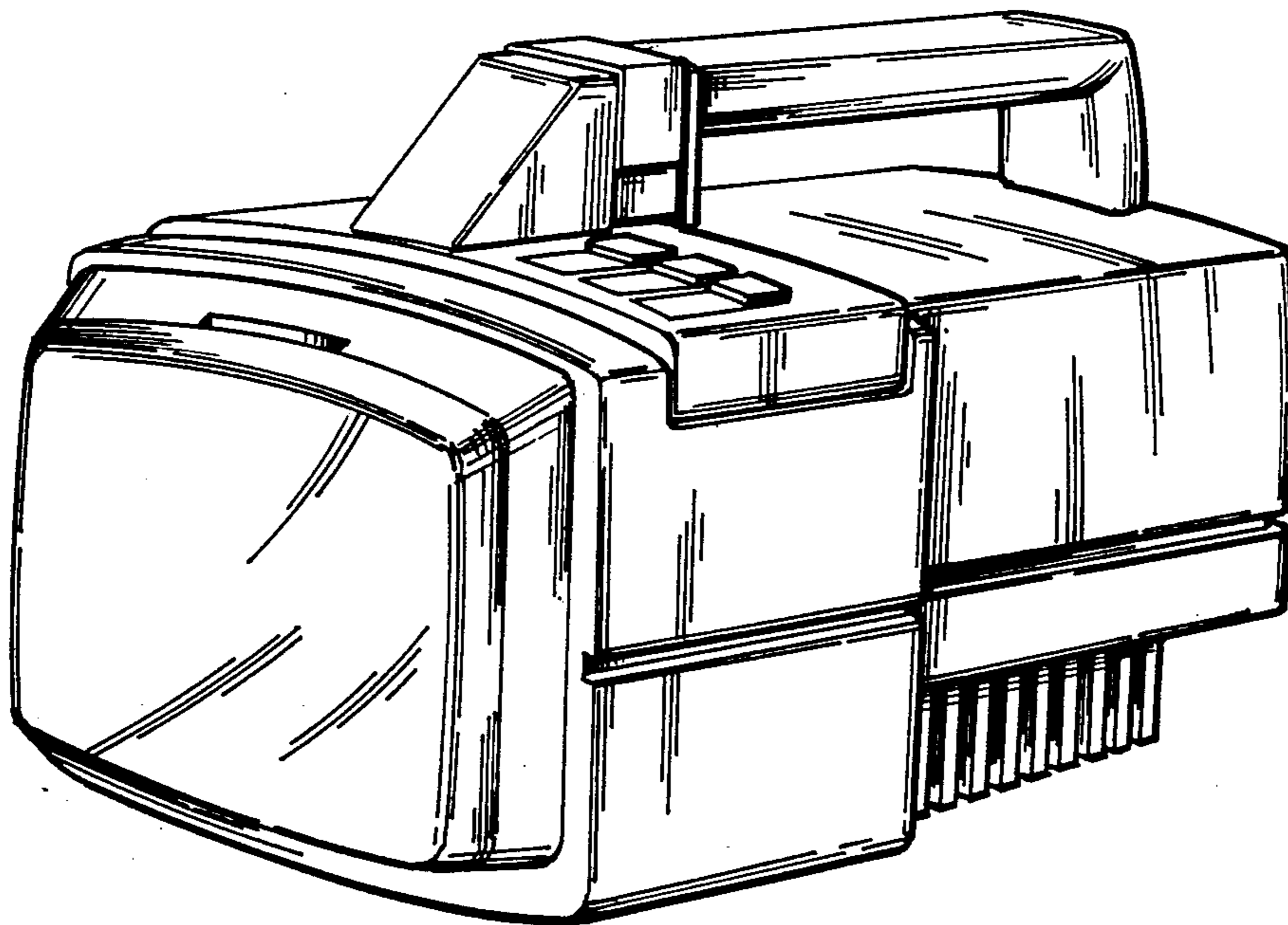
Primary Examiner—A. Hugo Word
Assistant Examiner—Doris V. Coles
Attorney, Agent, or Firm—Fleit, Jacobson, Cohn, Price, Holman & Stern

[57] CLAIM

The ornamental design for a portable spectrophotometer, as shown and described.

DESCRIPTION

FIG. 1 is a perspective view of a portable spectrophotometer, showing our new design;
FIG. 2 is a top plan view thereof;
FIG. 3 is a side elevational view thereof;
FIG. 4 is a rear elevational view thereof;
FIG. 5 is a bottom plan view thereof; and
FIG. 6 is a sectional view taken on line 6—6 of FIG. 2.



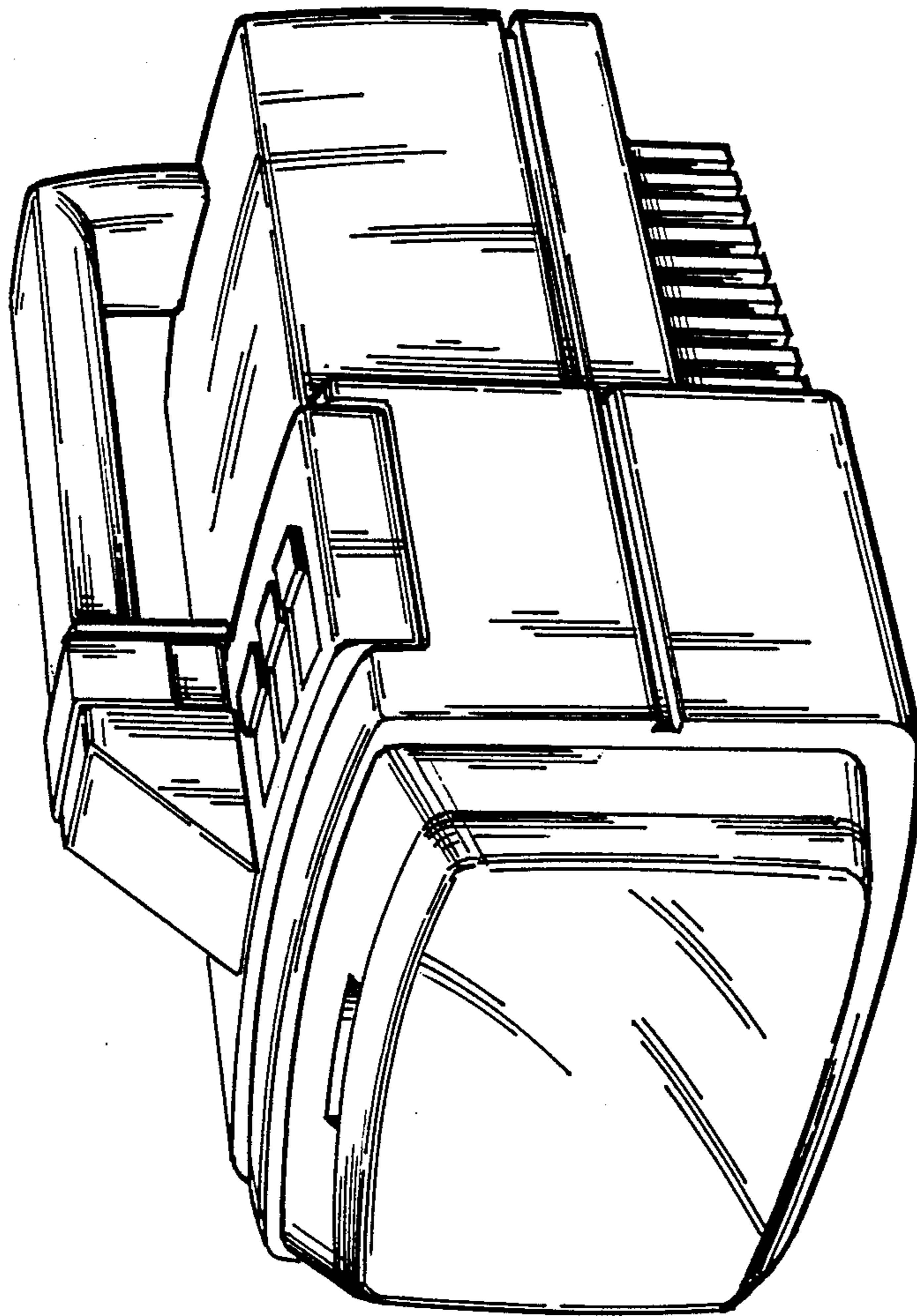


Fig-1

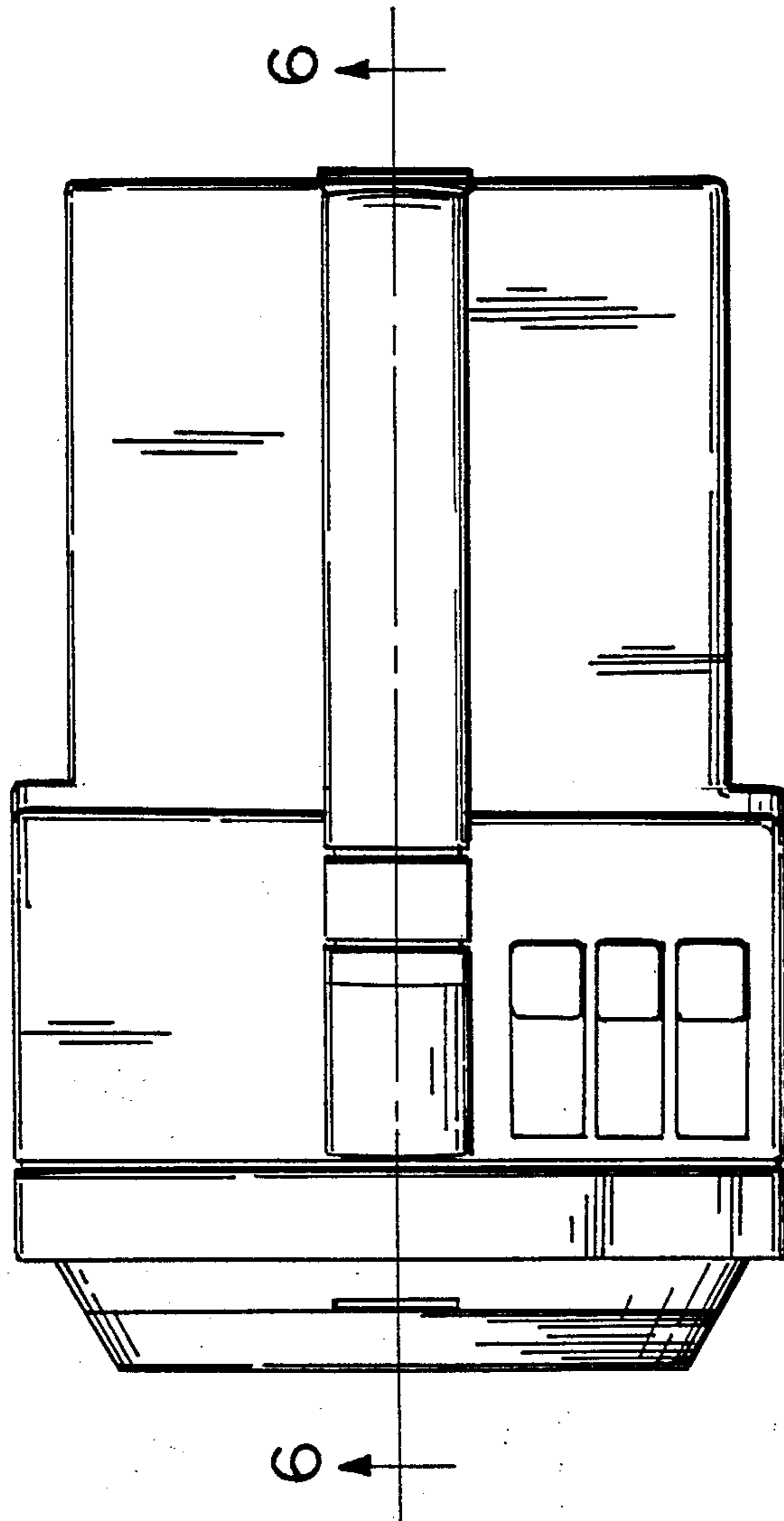


Fig-2

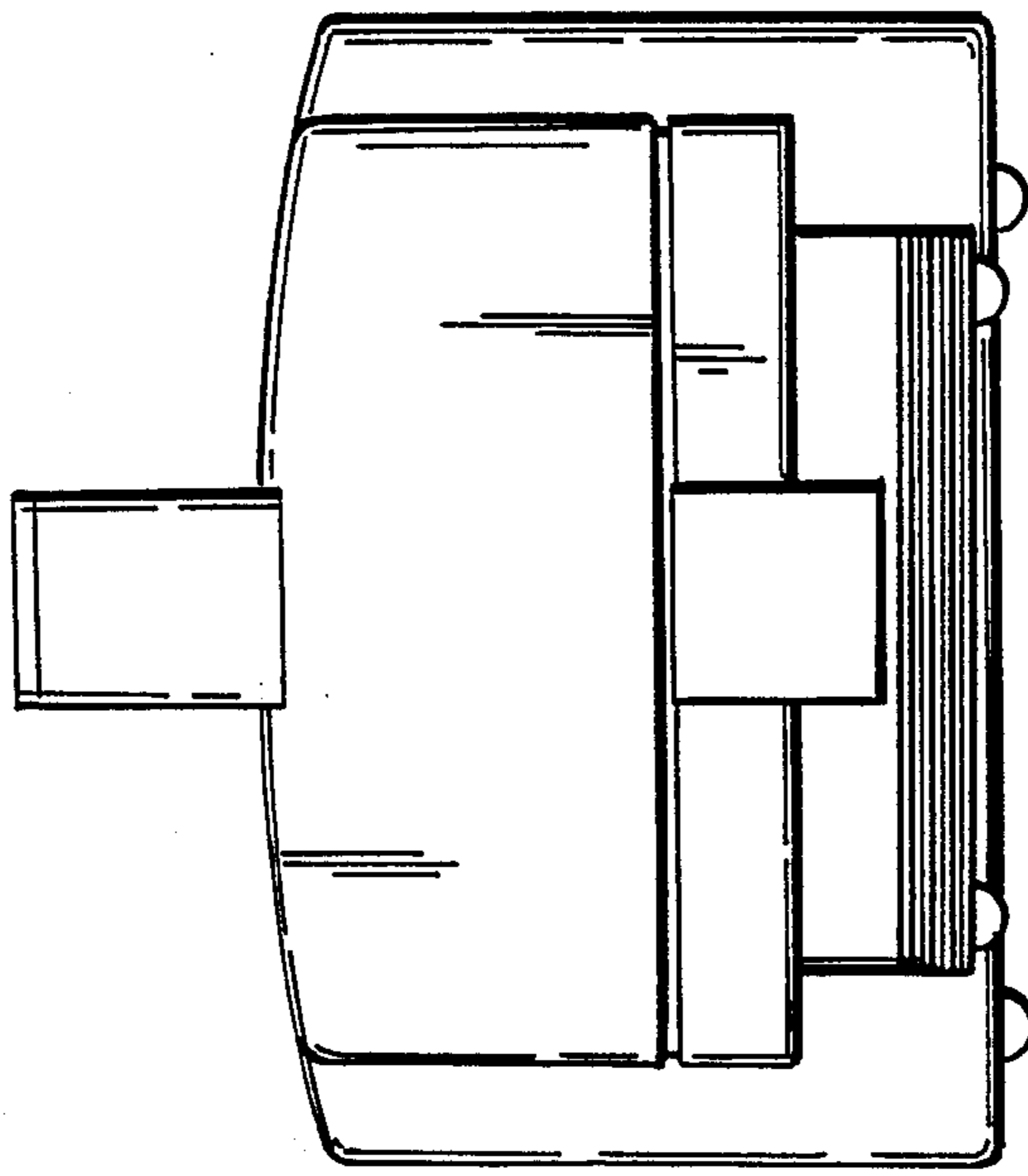


Fig-4

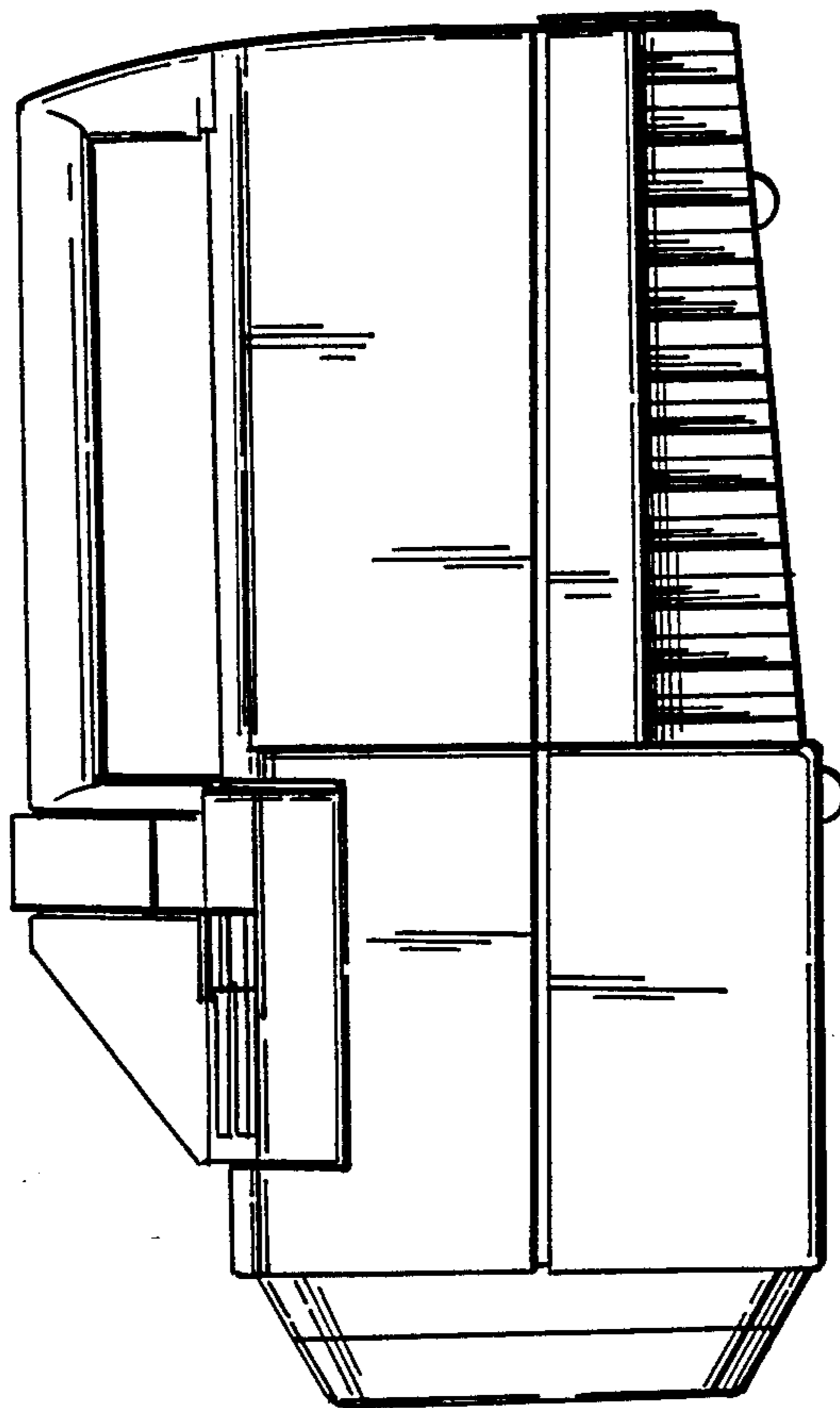


Fig-3

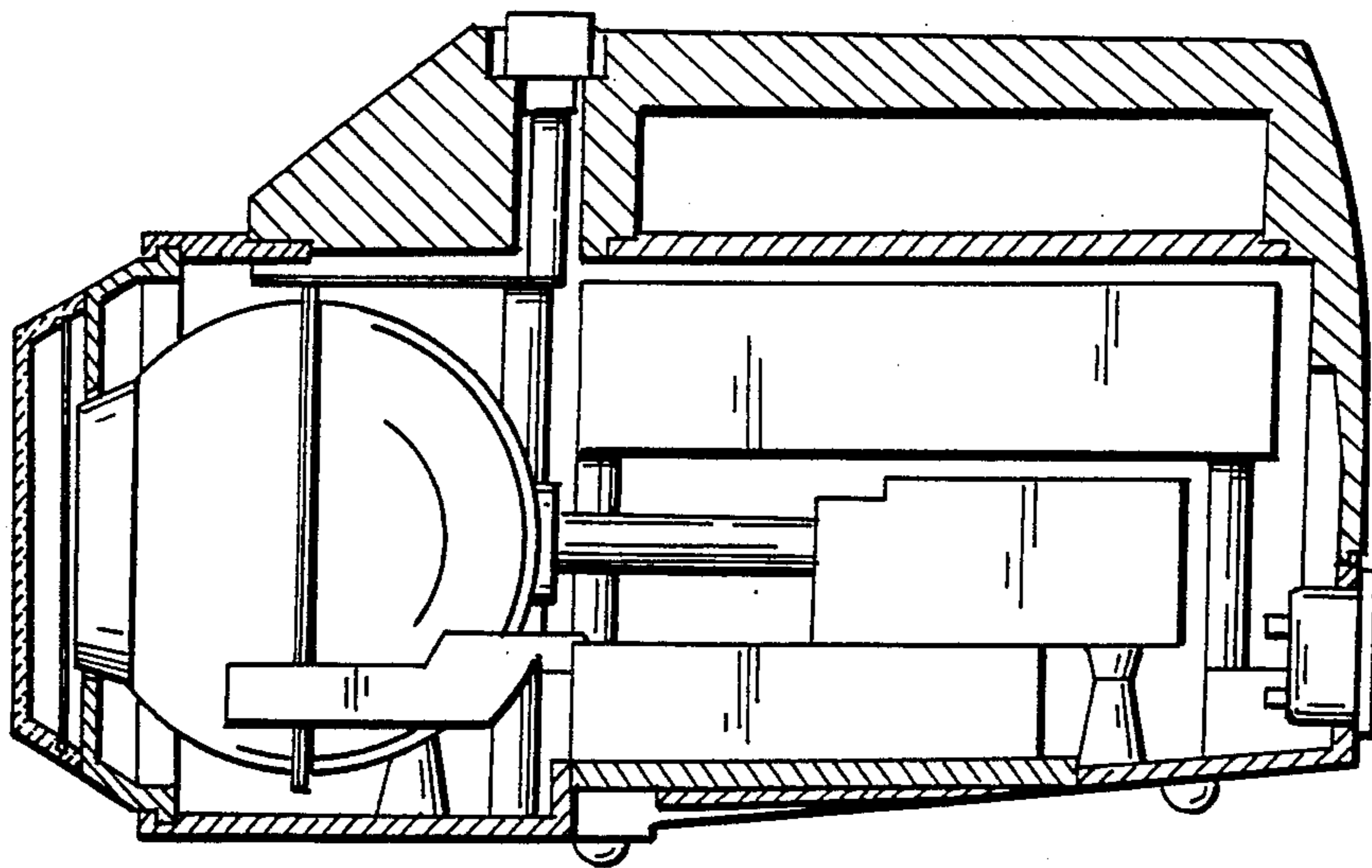


FIG. 6

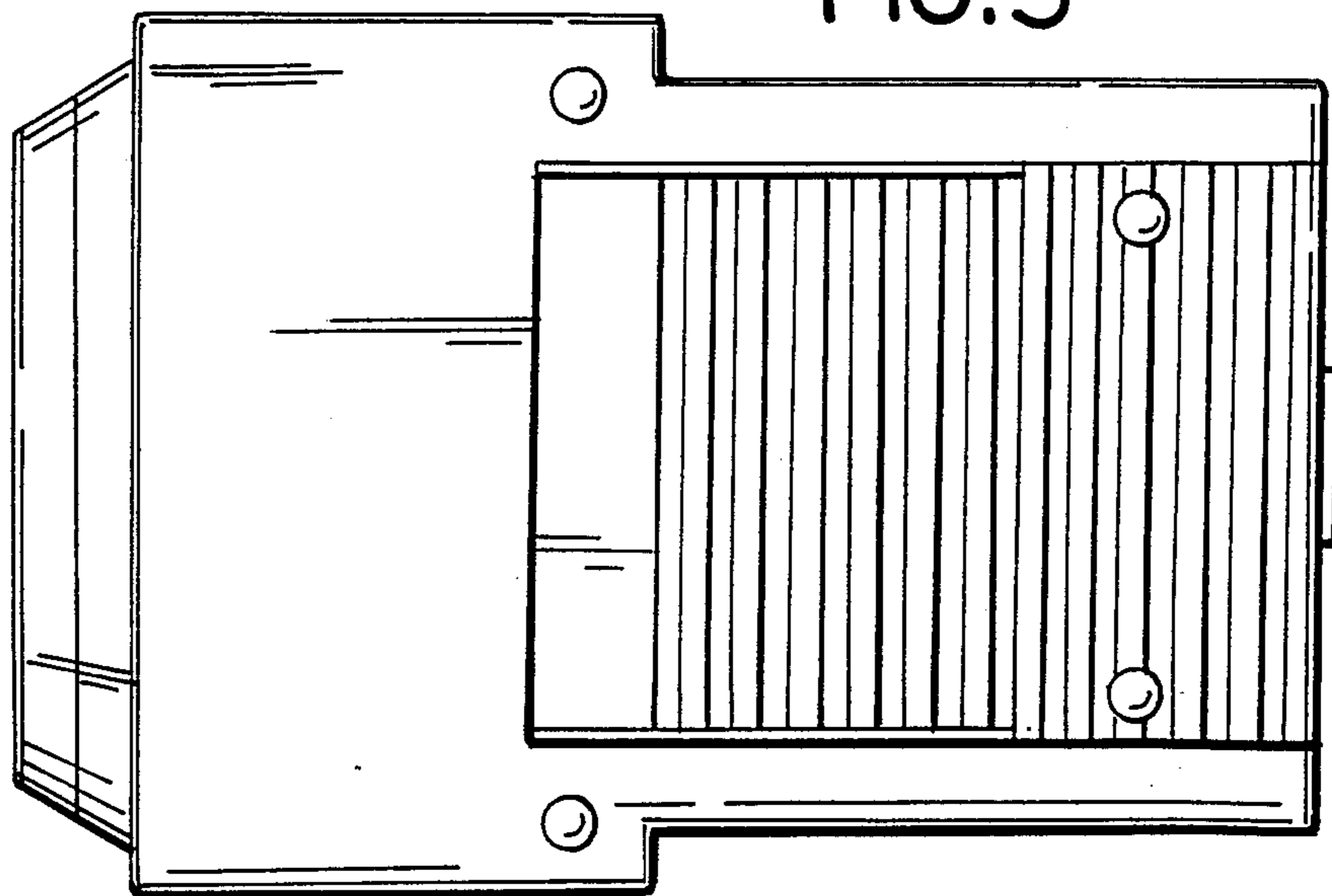


FIG. 5