

United States Patent [19]

Suica et al.

[11] Patent Number: Des. 307,282

[45] Date of Patent: ** Apr. 17, 1990

[54] INDUSTRIAL ROBOT

[75] Inventors: David E. Suica; Edward J. Bailey;
Walter Binder, all of Cincinnati, Ohio

[73] Assignee: Cincinnati Milacron Inc., Cincinnati,
Ohio

[**] Term: 14 Years

[21] Appl. No.: 13,379

[22] Filed: Feb. 11, 1987

[52] U.S. Cl. D15/199

[58] Field of Search 414/732, 735, 737, 738;
D15/199, 122; 901/17

[56] References Cited

U.S. PATENT DOCUMENTS

D. 267,883	2/1983	Susnjara	D15/199
D. 268,033	2/1983	Stackhouse	D15/199
D. 269,681	7/1983	Morser et al.	D15/199
D. 271,770	12/1983	Kono et al.	D15/122
D. 273,870	5/1984	Kono et al.	D15/199
D. 279,571	7/1985	Arai et al.	D15/199

D. 279,572	7/1985	Yasuoka et al.	D15/199
D. 281,884	12/1985	Varner et al.	D15/199
D. 292,000	9/1987	Shibayama et al.	D15/199
D. 300,935	5/1989	Maddock et al.	D15/199
4,076,131	2/1978	Dahlstrom et al.	214/1 BC
4,626,165	12/1986	Nakashima et al.	414/735
4,812,104	3/1989	Suzuki	414/735

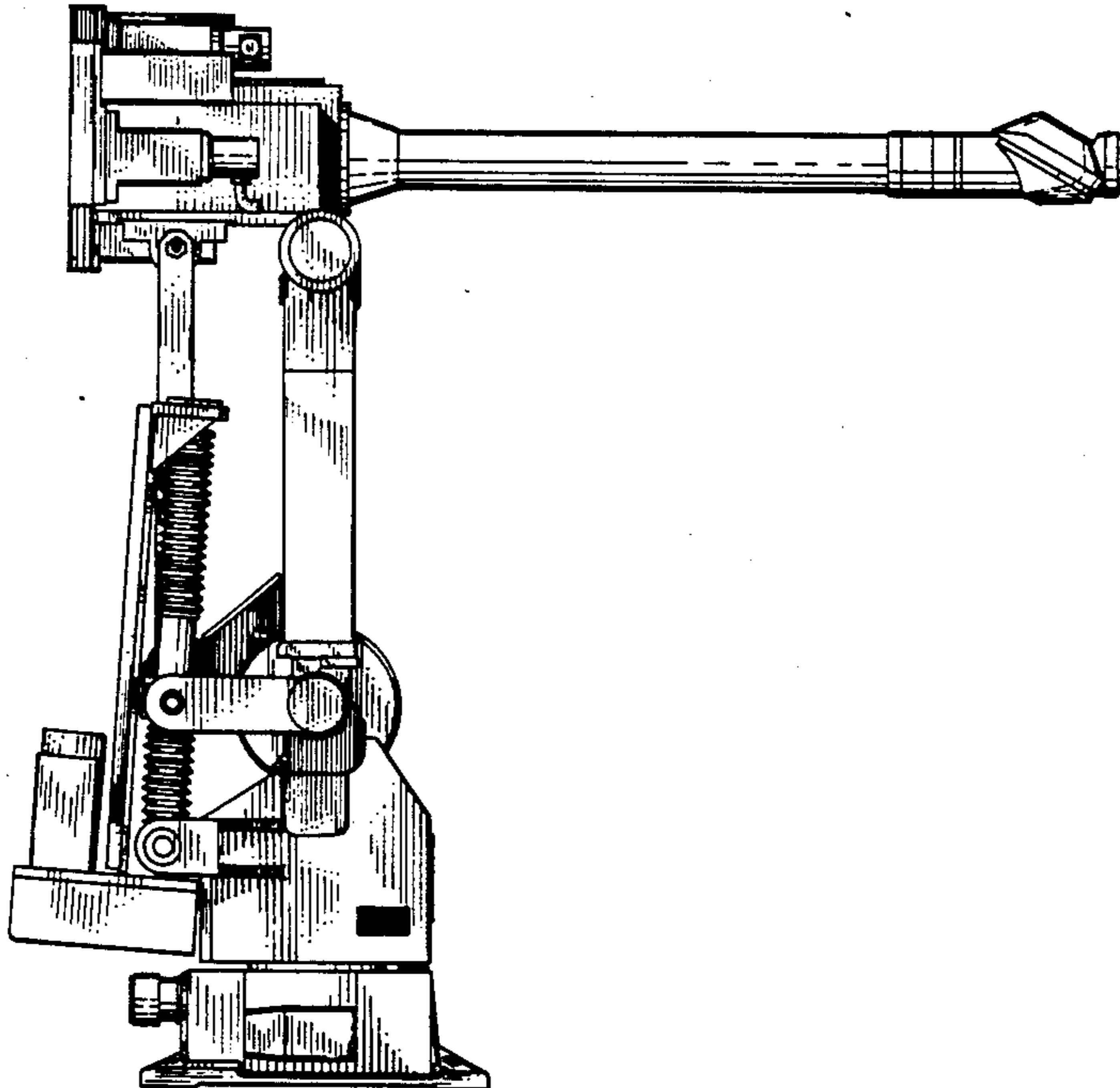
Primary Examiner—Nelson C. Holtje
Assistant Examiner—Jeffrey Asch
Attorney, Agent, or Firm—Frost & Jacobs

[57] CLAIM

The ornamental design for an industrial robot, as shown and described.

DESCRIPTION

FIG. 1 is a left side elevational view of an industrial robot embodying our new design; FIG. 2 is right side elevational view thereof; FIG. 3 is top plan view thereof; FIG. 4 is a rear elevational view thereof; FIG. 5 is a front elevational view thereof; and FIG. 6 is a bottom plan view thereof.



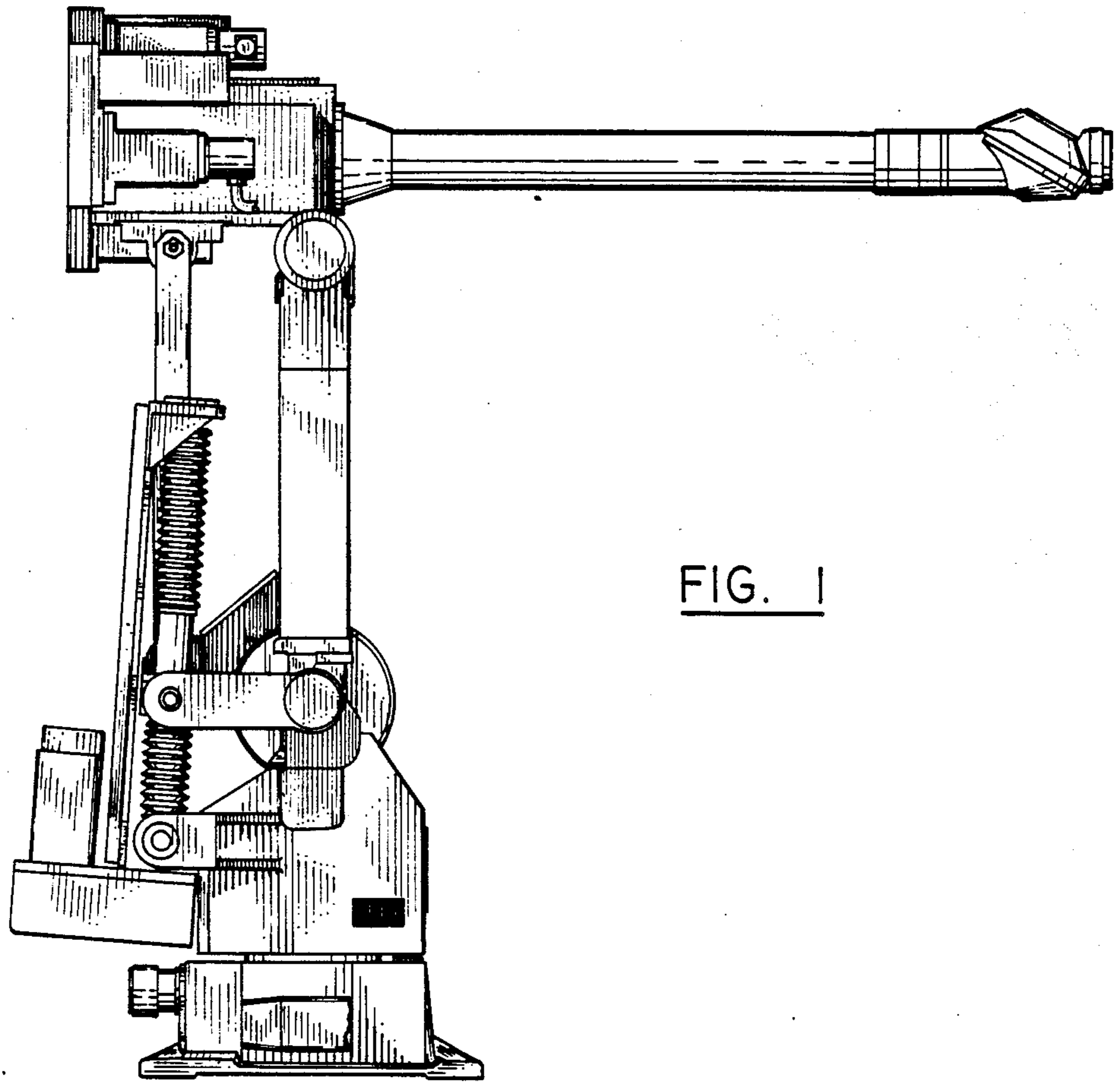


FIG. 1

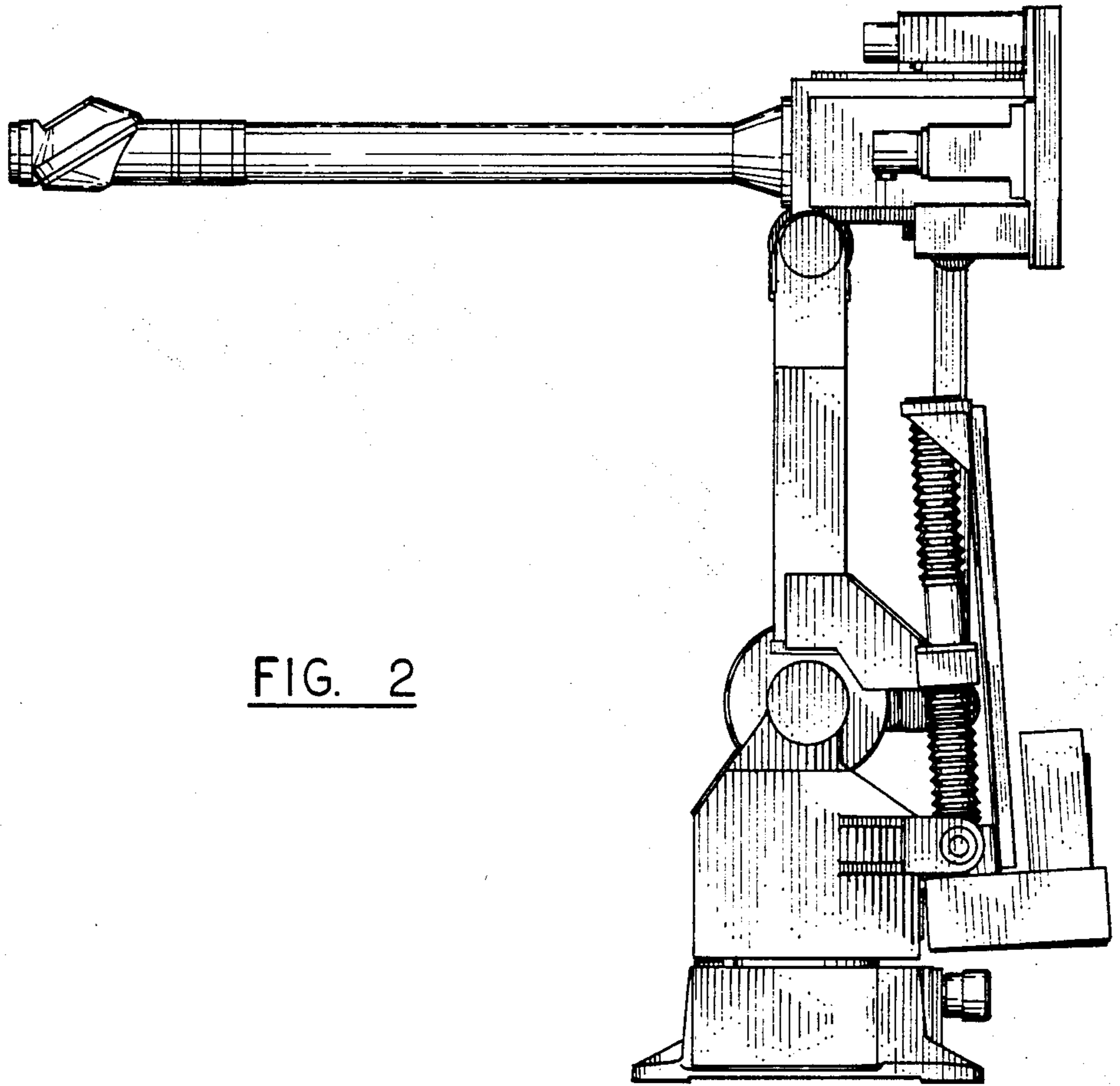


FIG. 2

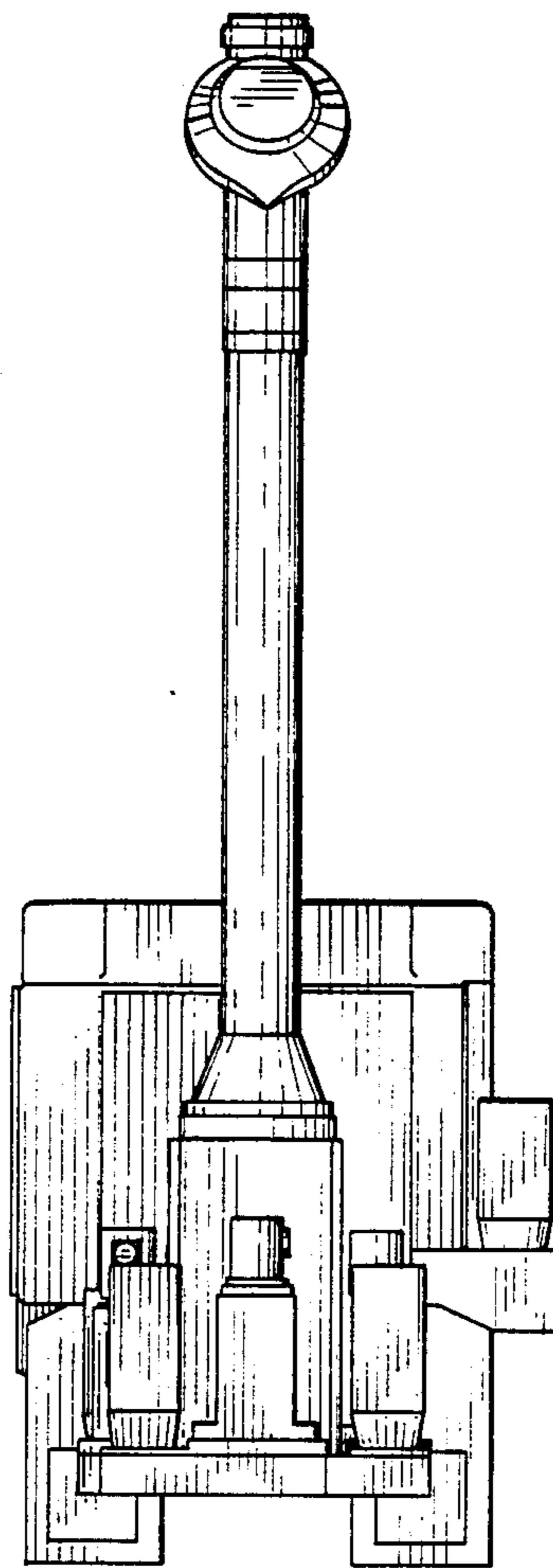


FIG. 3

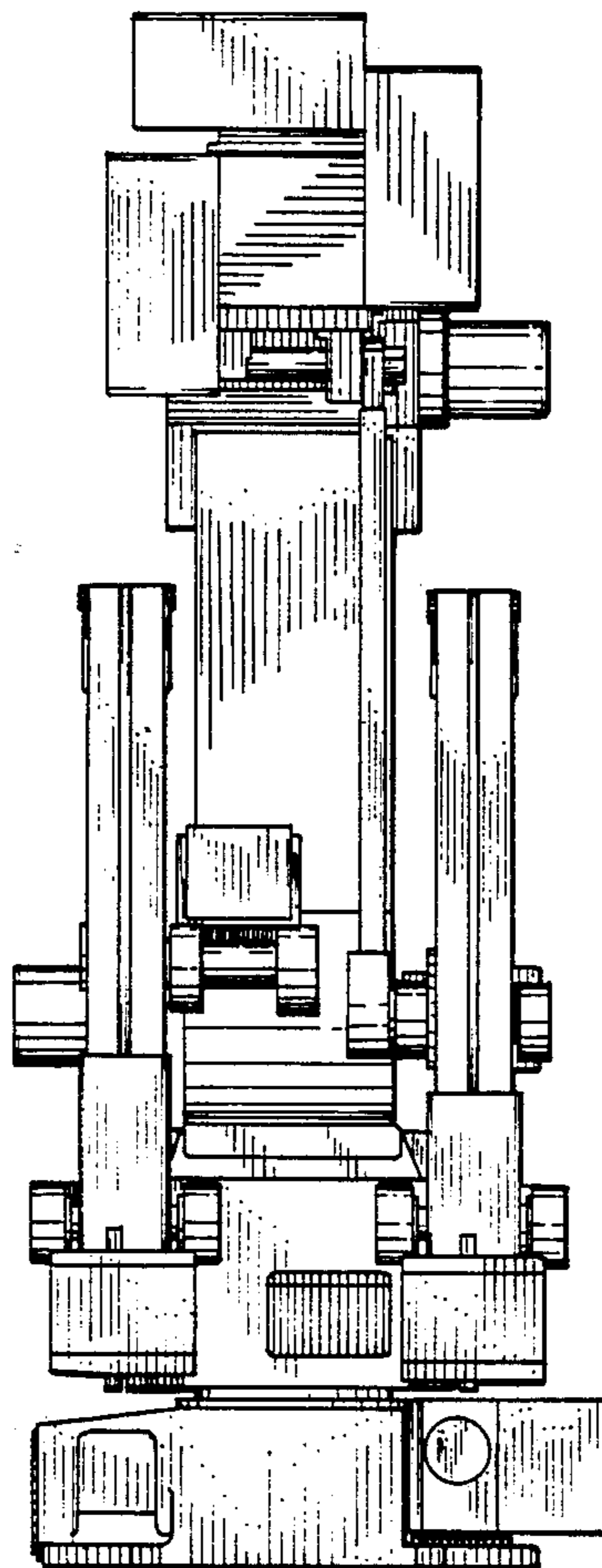


FIG. 4

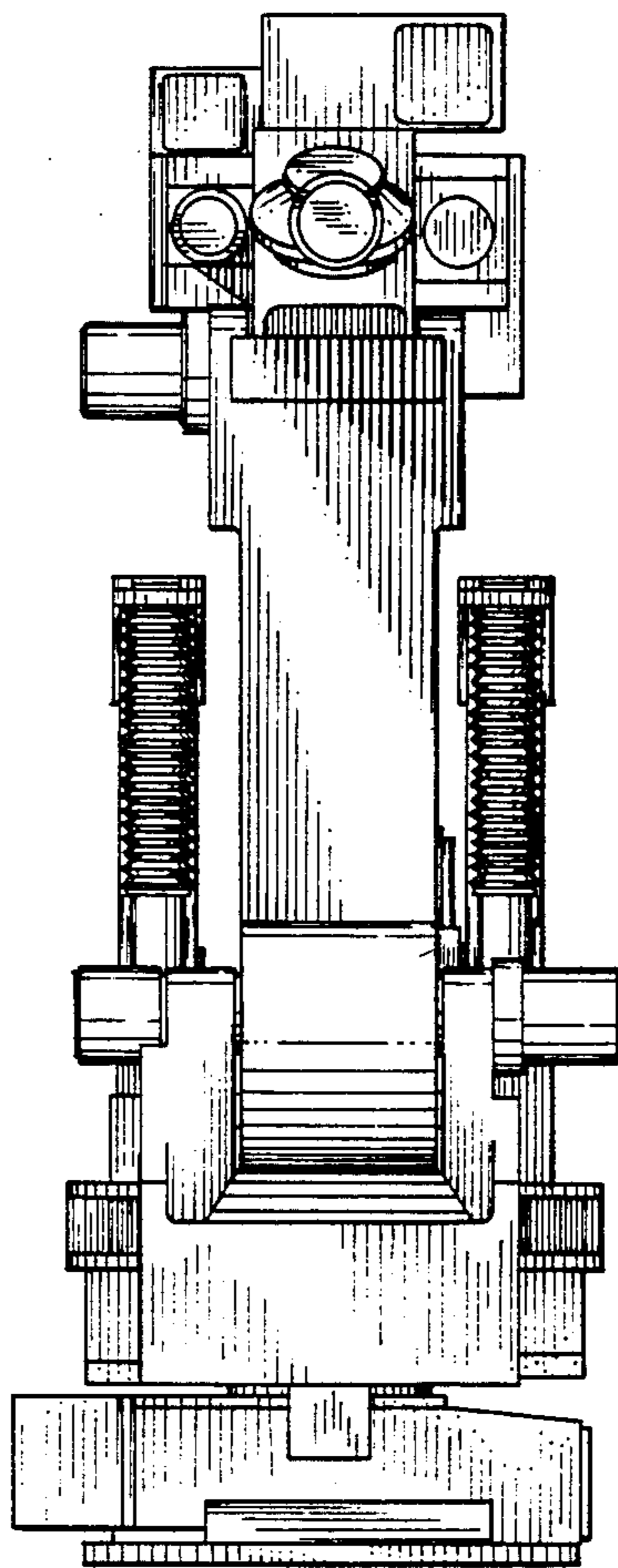


FIG. 5

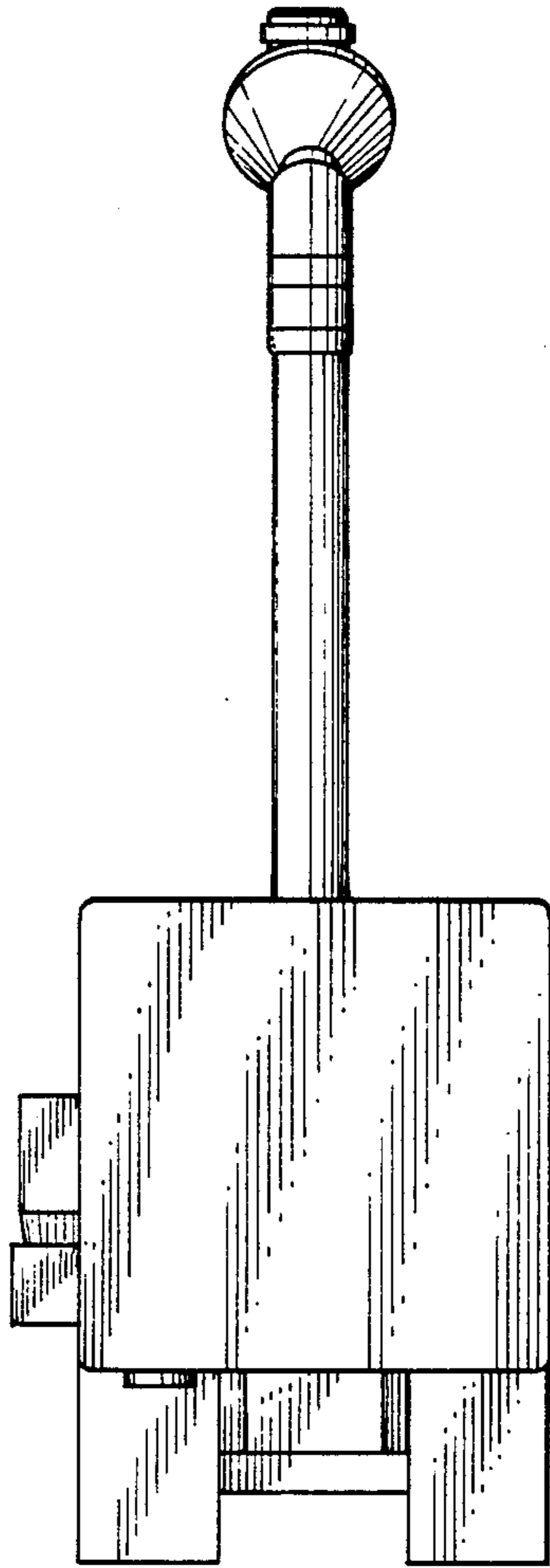


FIG. 6