

[54] ROTATABLE ICE CUBE TRAY UNIT

[76] Inventors: Blake E. Waller, 607 N. Carlisle St.;  
Clarence B. McCully, 101 Woodlawn  
Ter., both of Bamberg, S.C. 29003

[\*\*] Term: 14 Years

[21] Appl. No.: 189,593

[22] Filed: May 2, 1988

[52] U.S. Cl. .... D15/90

[58] Field of Search ..... D15/79, 89, 90; 62/459,  
62/463; 249/52, 121, 126, 127, 129

[56] References Cited

U.S. PATENT DOCUMENTS

3,352,528	11/1967	Bernstrom et al. ....	249/126
3,696,635	10/1972	Fogt .....	D15/90
4,789,130	12/1988	Stich et al. ....	249/126
4,815,691	3/1989	Cooley .....	249/126

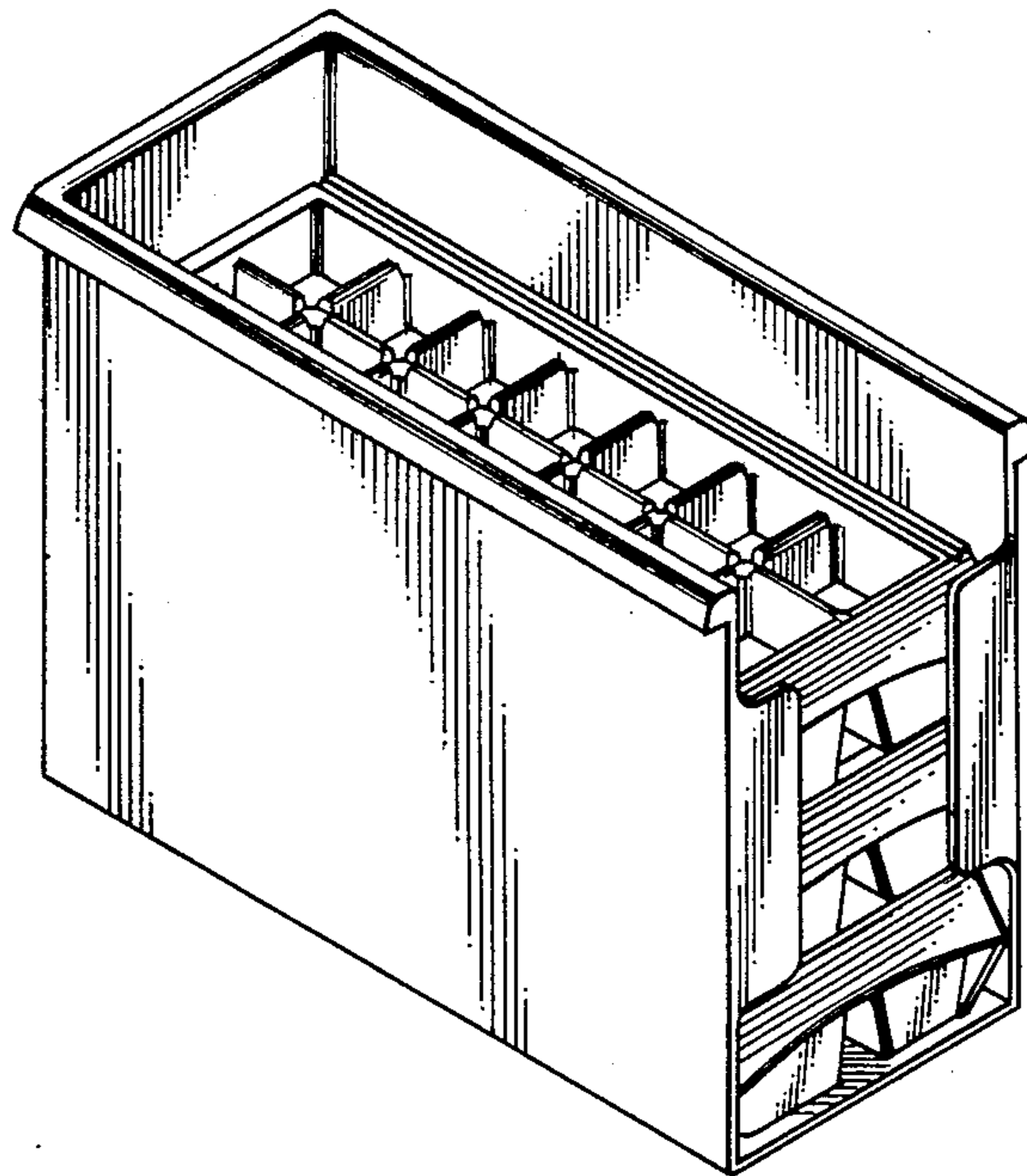
Primary Examiner—B. J. Bullock  
Assistant Examiner—Sandra Morris  
Attorney, Agent, or Firm—Benoni O. Reynolds

[57] CLAIM

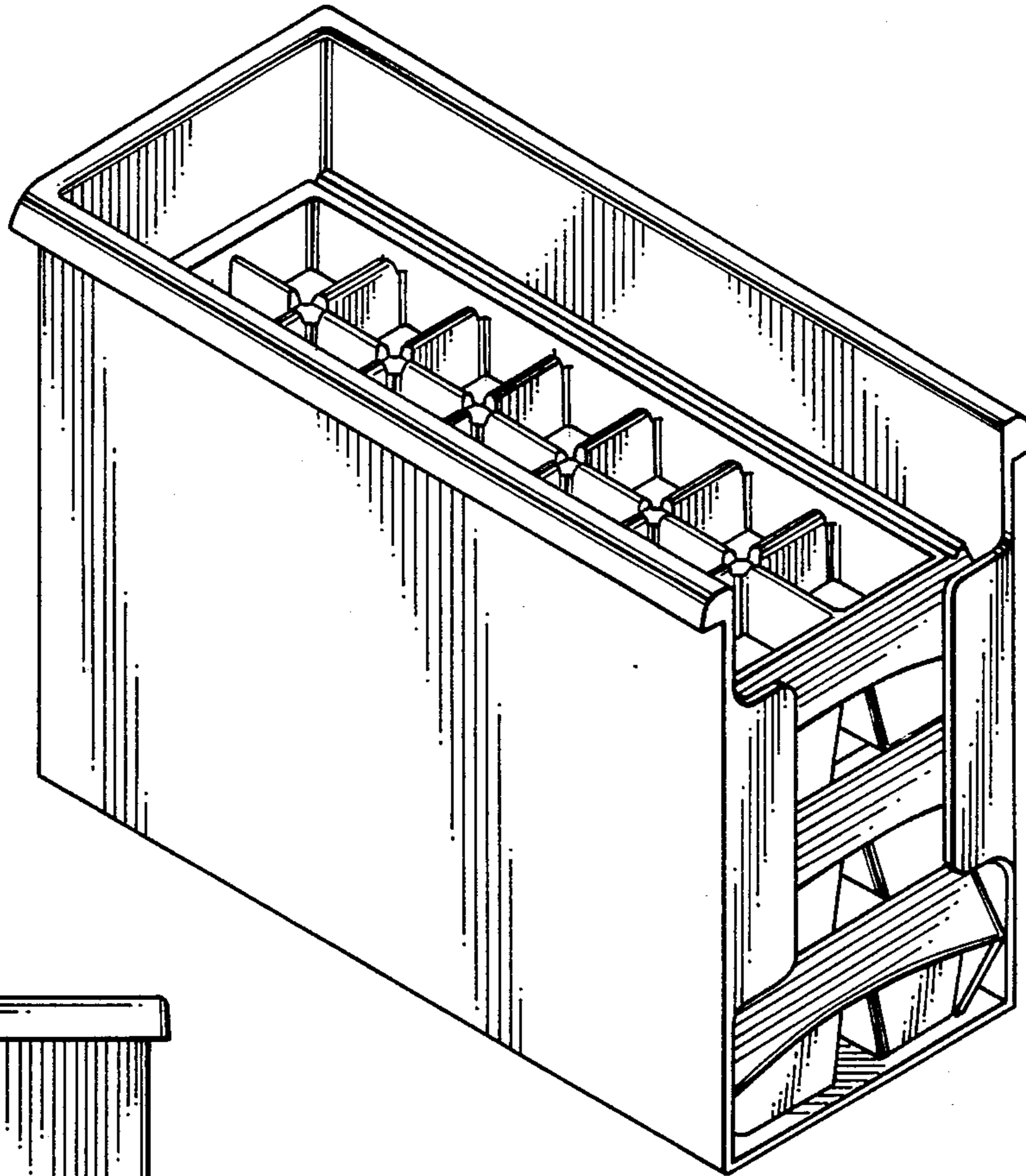
The ornamental design for rotatable ice cube tray unit,  
as shown and described.

DESCRIPTION

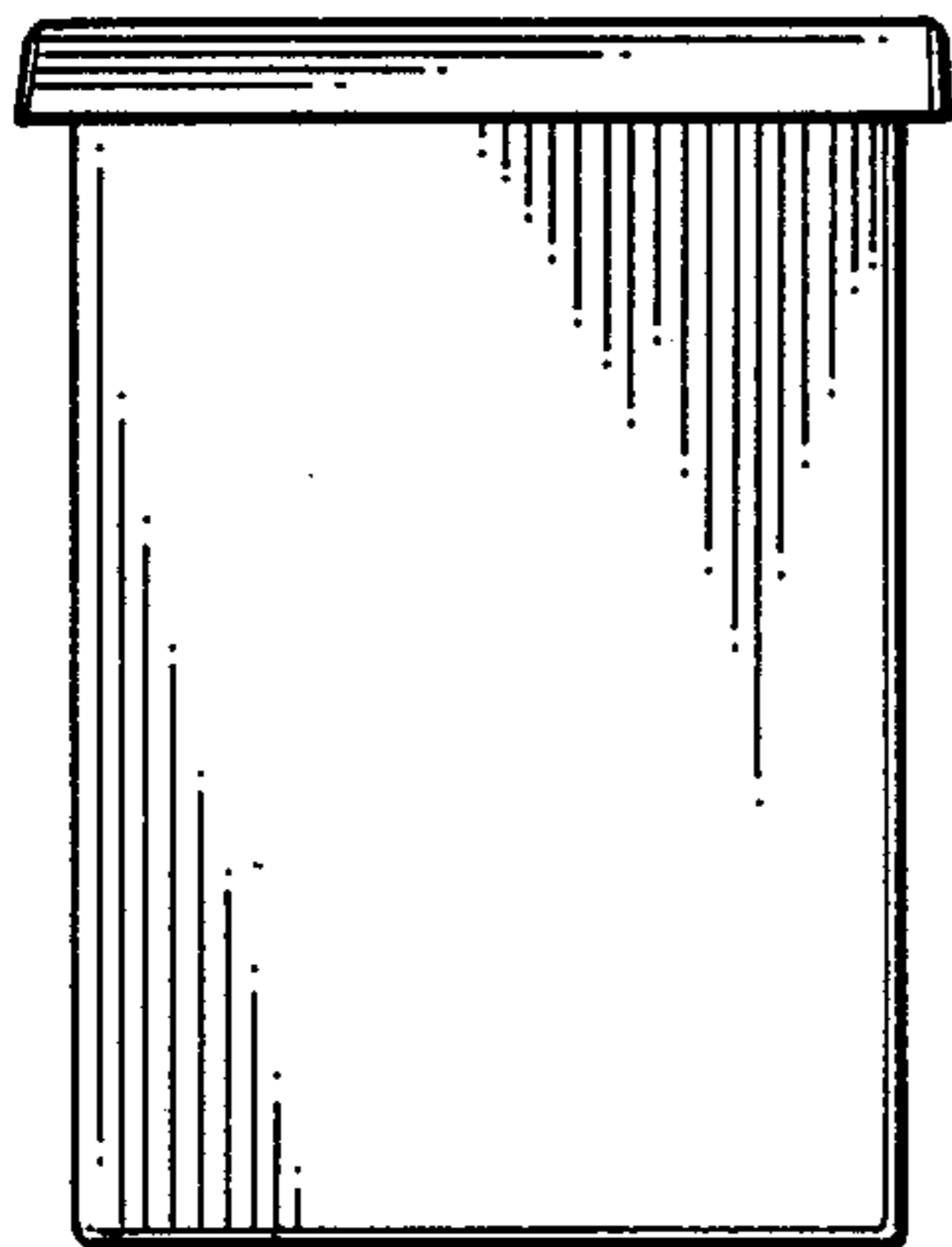
FIG. 1 is a perspective view of the rotatable ice cube tray unit showing our new design;  
FIG. 2 is a rear elevational view thereof;  
FIG. 3 is a right side elevational view thereof, the left side elevational view being a mirror image;  
FIG. 4 is a front elevational view thereof;  
FIG. 5 is a top plan view thereof;  
FIG. 6 is a bottom plan view thereof;  
FIG. 7 is a perspective view thereof, with the lower tray pulled out for illustrative purposes;  
FIG. 8 is a cross section taken in the direction of the arrows on line 8—8 of FIG. 5.



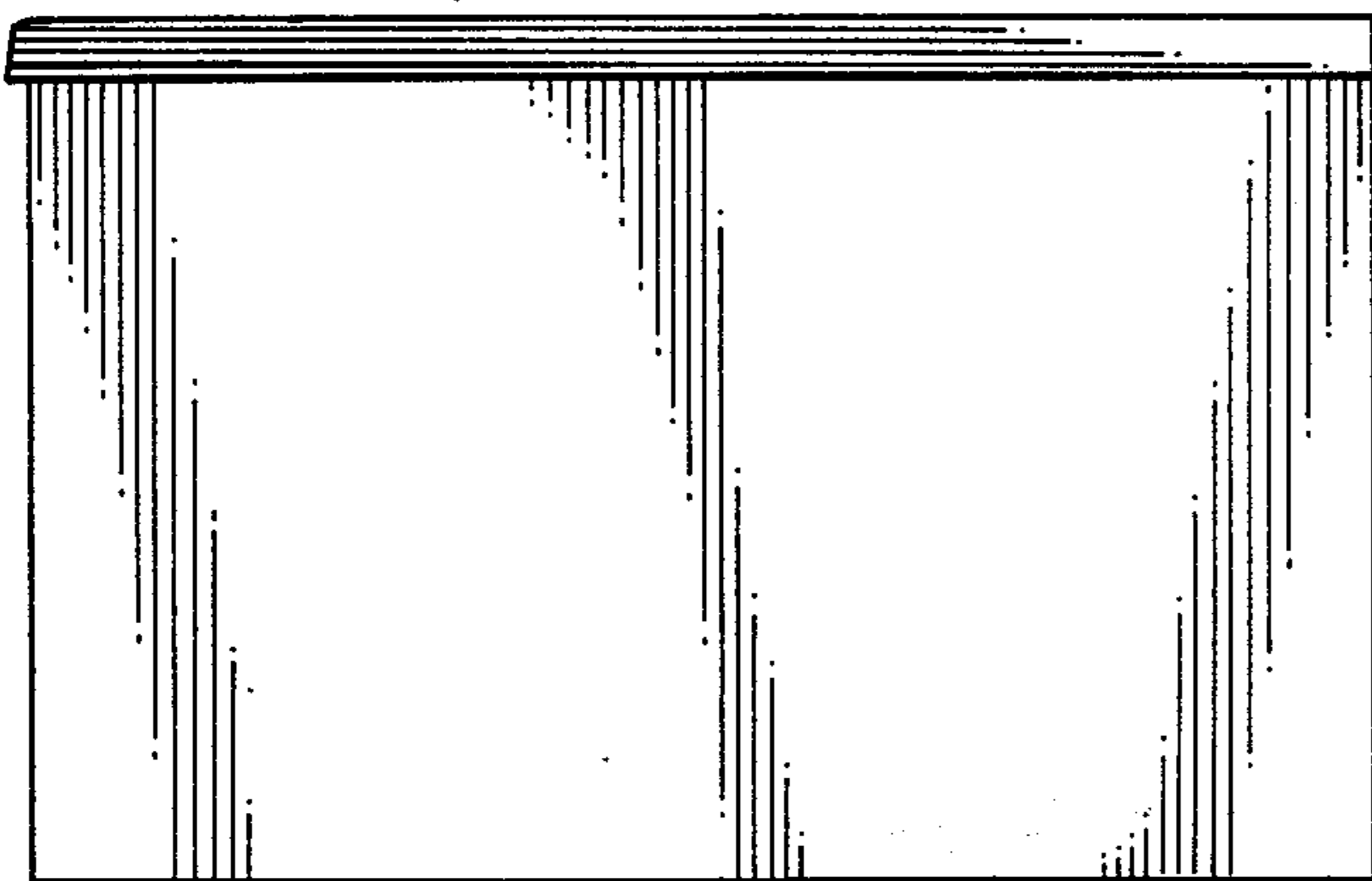
**FIG. 1.**



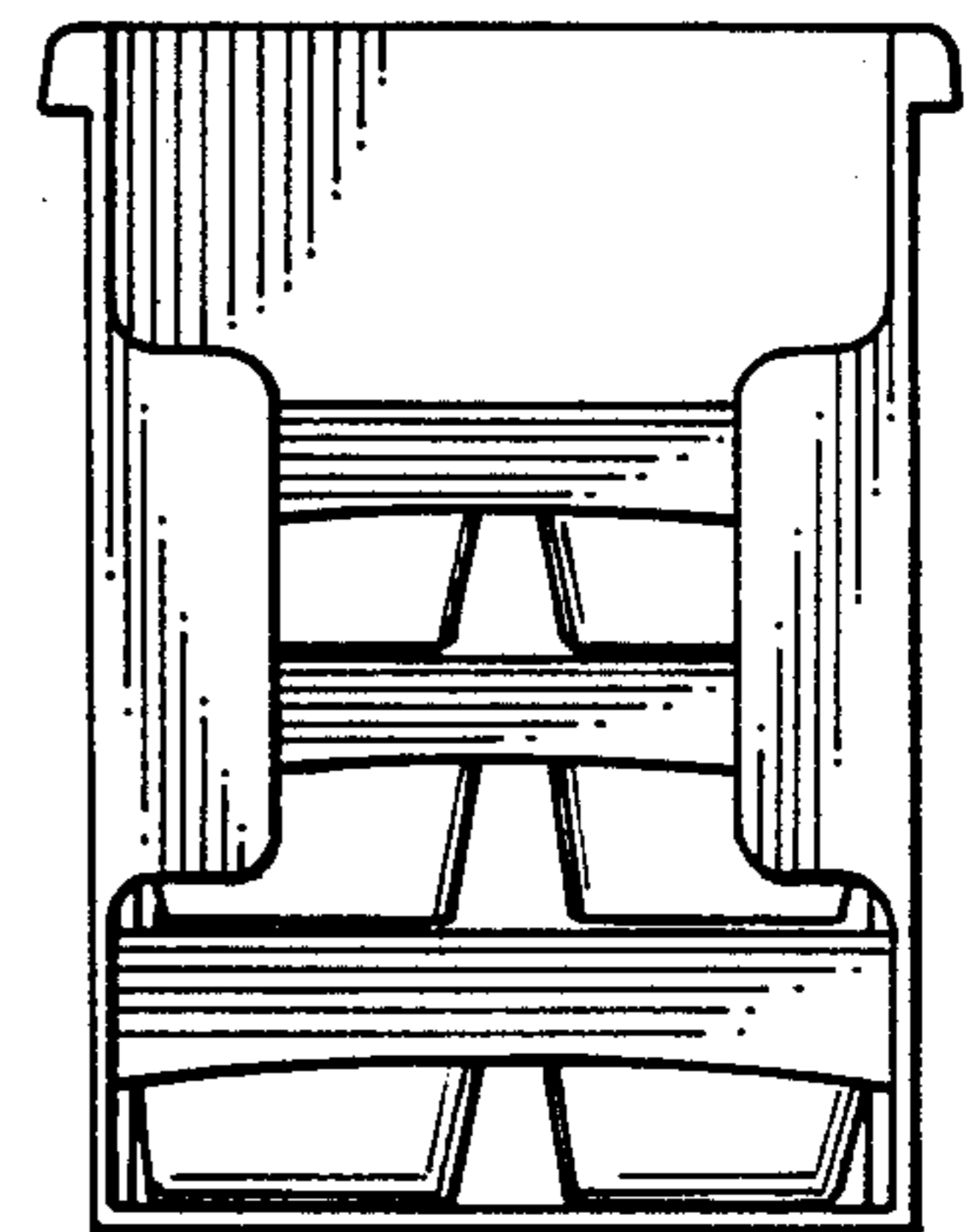
**FIG. 2.**



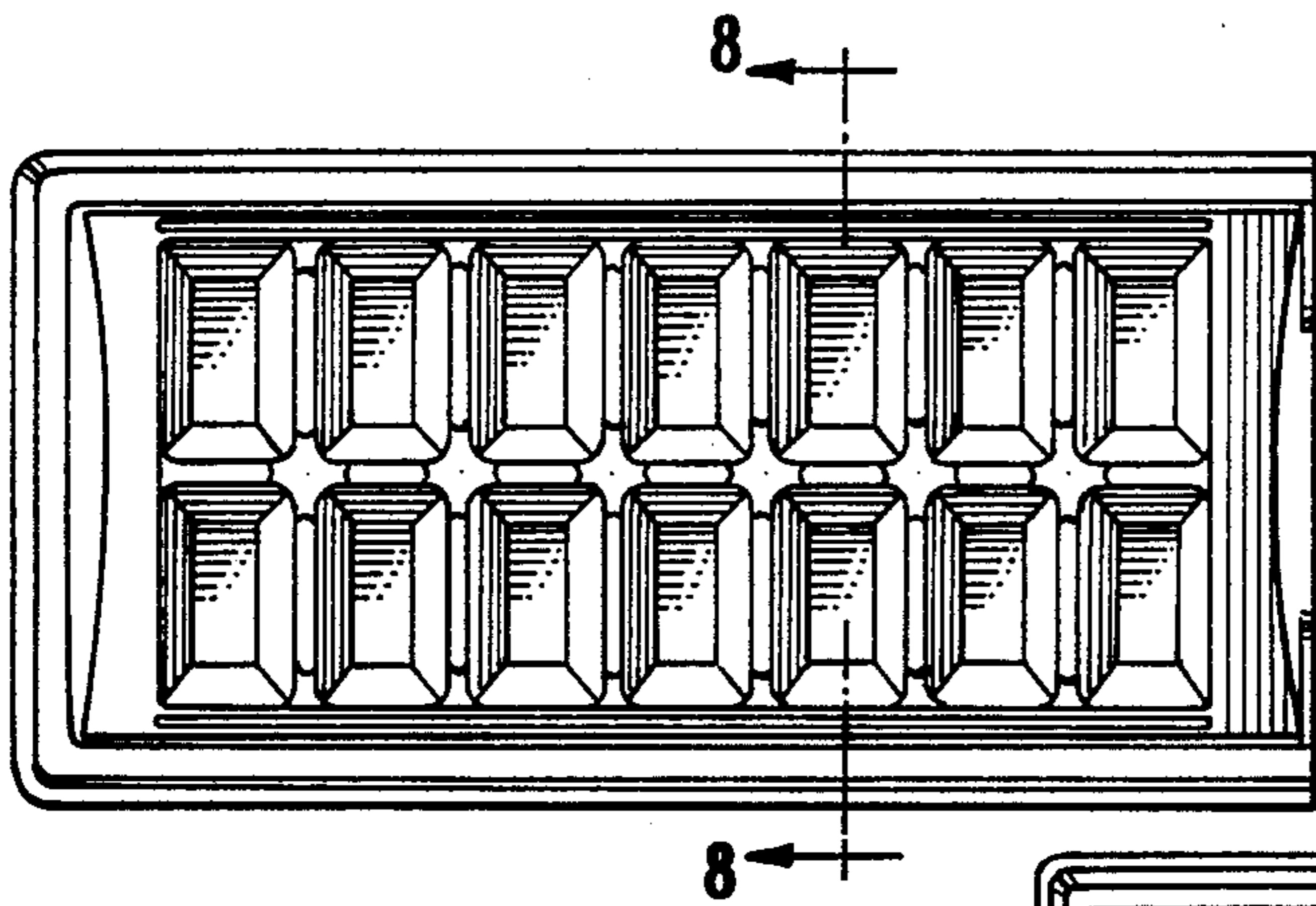
**FIG. 3.**



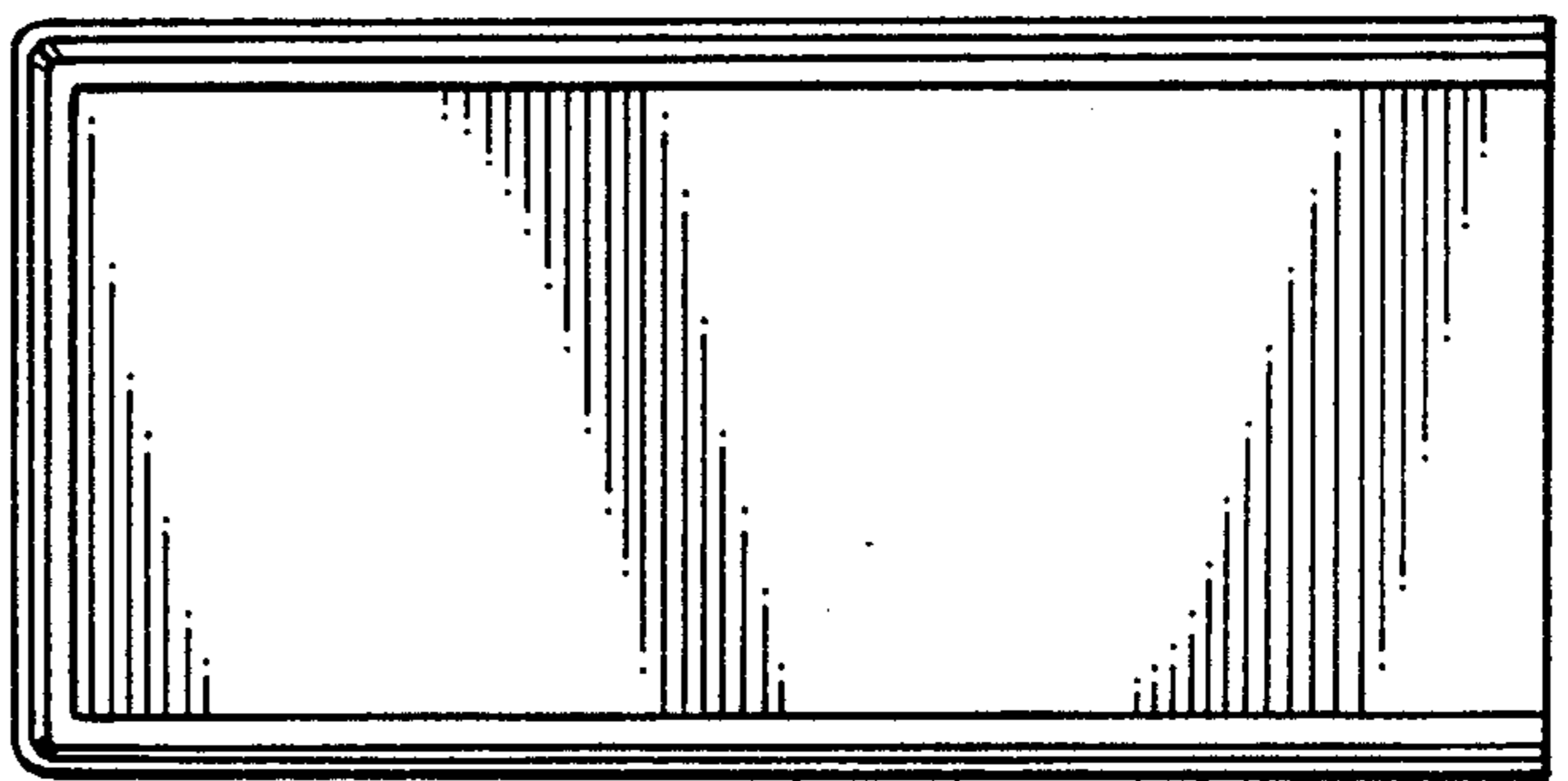
**FIG. 4.**



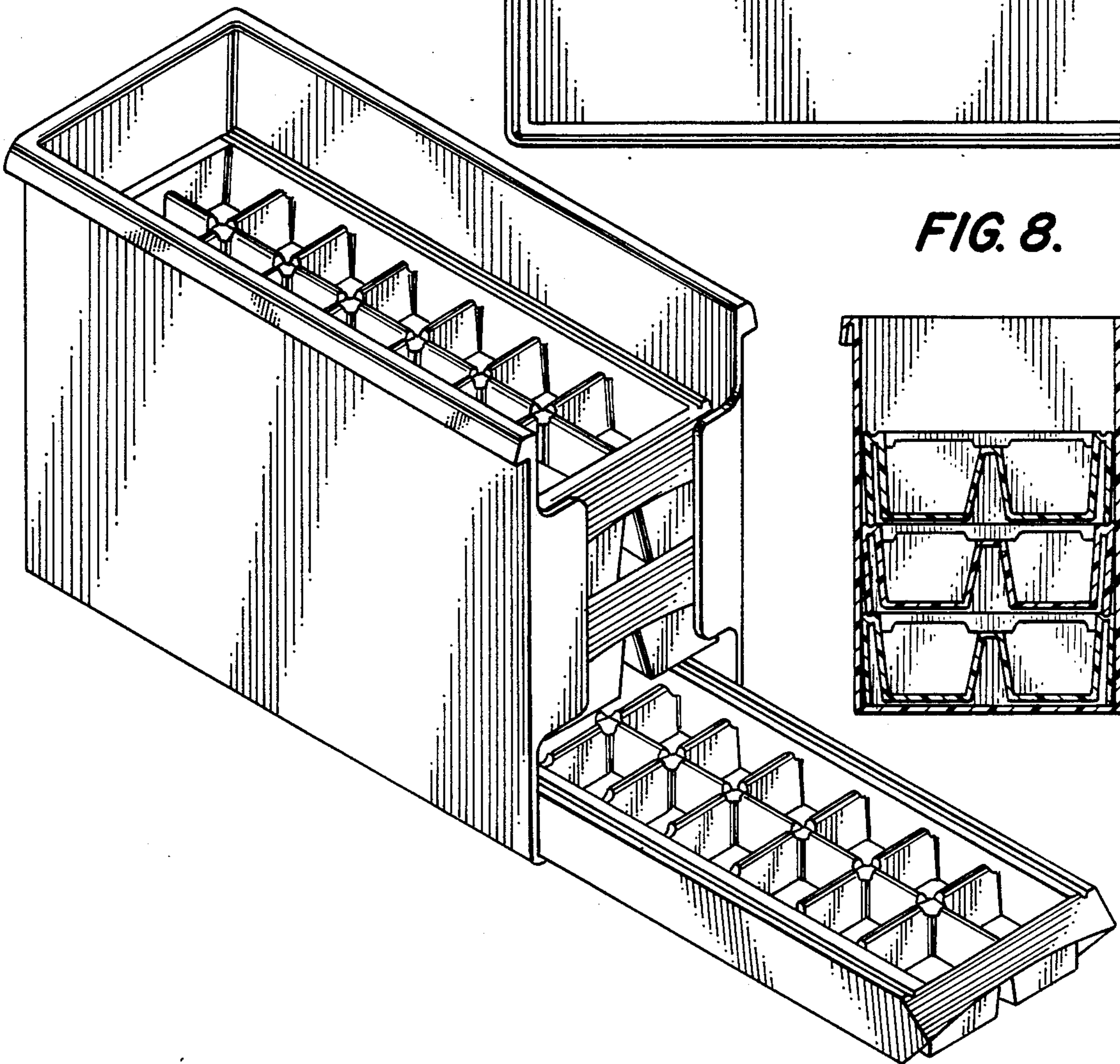
**FIG. 5.**



**FIG. 6.**



**FIG. 7.**



**FIG. 8.**

