

[54] **SPEECH MODULE FOR AN INTERCOMMUNICATION SYSTEM**

[75] Inventor: **Martin F. Carlile, Doncaster, England**

[73] Assignee: **Tunstall Telecom Limited, Whitley Bridge, United Kingdom**

[**] Term: **14 Years**

[21] Appl. No.: **120,088**

[22] Filed: **Nov. 12, 1987**

[30] **Foreign Application Priority Data**

May 13, 1987 [GB] United Kingdom 1042136

[52] U.S. Cl. **D14/159**

[58] Field of Search D14/124, 137, 139, 157, D14/159, 188, 189, 191, 192, 217, 218, 257, 258, 299, 155, 168; 455/73, 89, 90, 344

[56] **References Cited**

U.S. PATENT DOCUMENTS

D. 220,268 3/1971 Kliewer D14/124

- D. 243,536 3/1977 van de Poel D14/159
- D. 282,360 1/1986 Yamagata et al. D14/159
- D. 283,130 3/1986 Boenning D14/159
- D. 297,517 9/1988 Yuen D14/155
- D. 299,138 12/1988 Hampf D14/191
- D. 301,716 6/1989 Ohzu D14/188

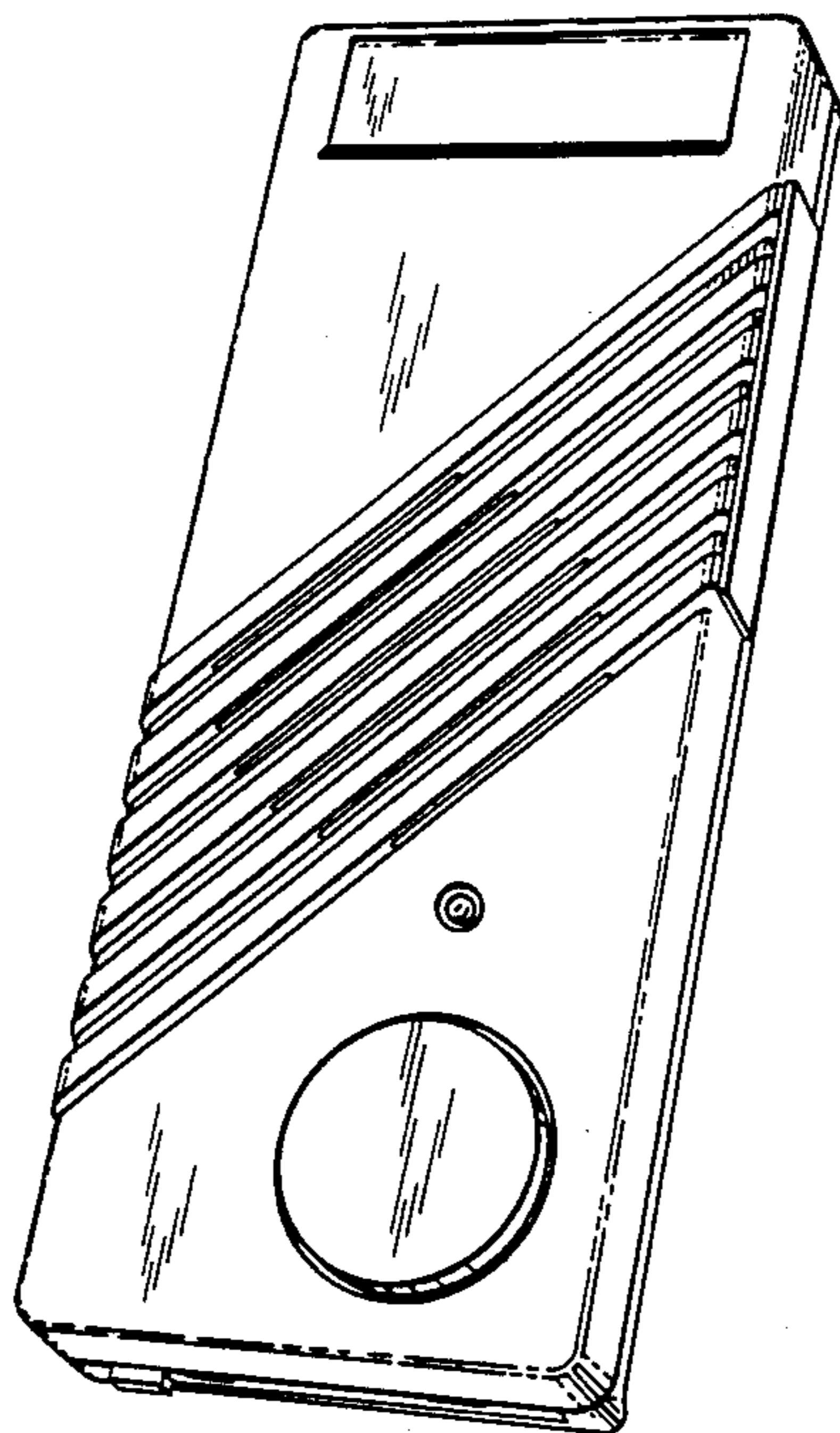
Primary Examiner—Bernard Ansher
Assistant Examiner—Theodore M. Shooman
Attorney, Agent, or Firm—Darby & Darby

[57] **CLAIM**

The ornamental design for a speech module for an intercommunication system, as shown.

DESCRIPTION

FIG. 1 is a front, right side and bottom perspective view of a speech module for an intercommunication system showing my new design;
FIG. 2 is a front elevational view thereof;
FIG. 3 is a top plan view thereof;
FIG. 4 is a left side elevational view thereof;
FIG. 5 is a right side elevational view thereof;
FIG. 6 is a rear elevational view thereof; and
FIG. 7 is a bottom plan view thereof.



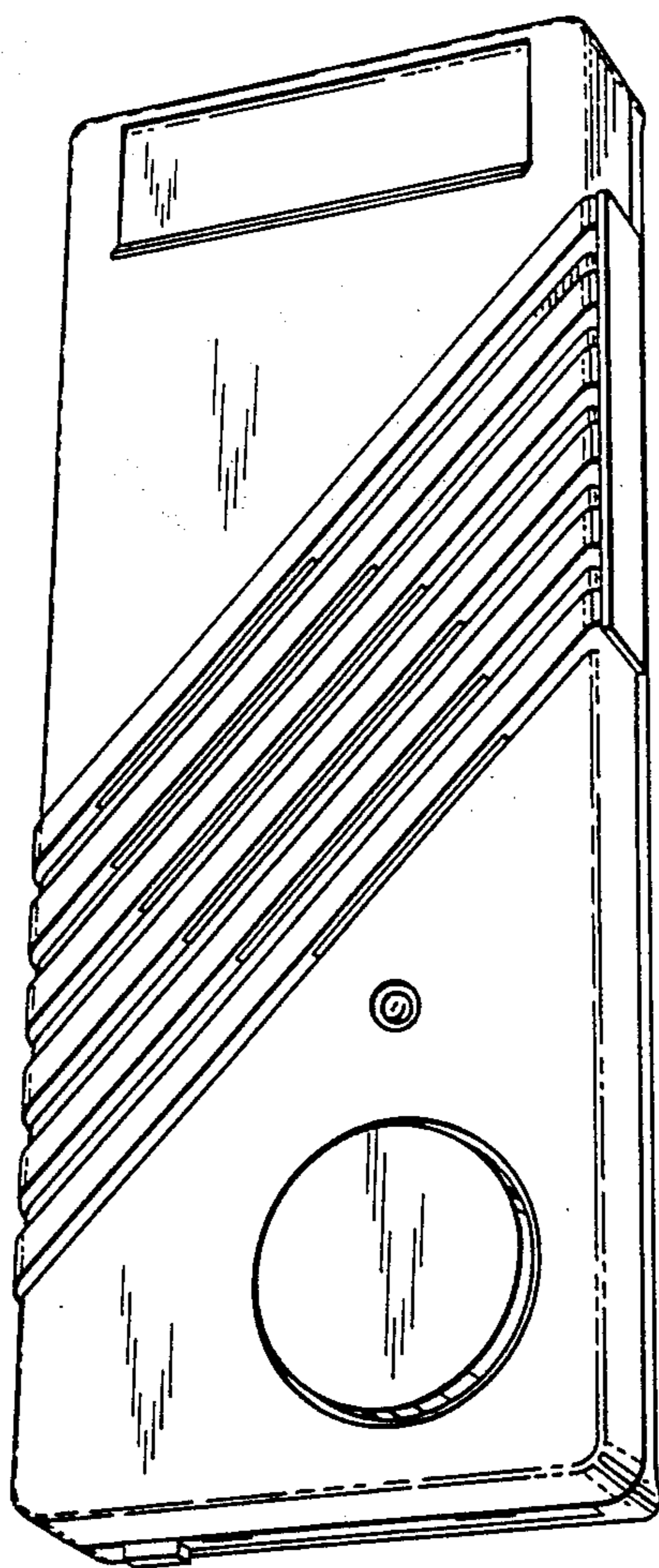


FIG. 1

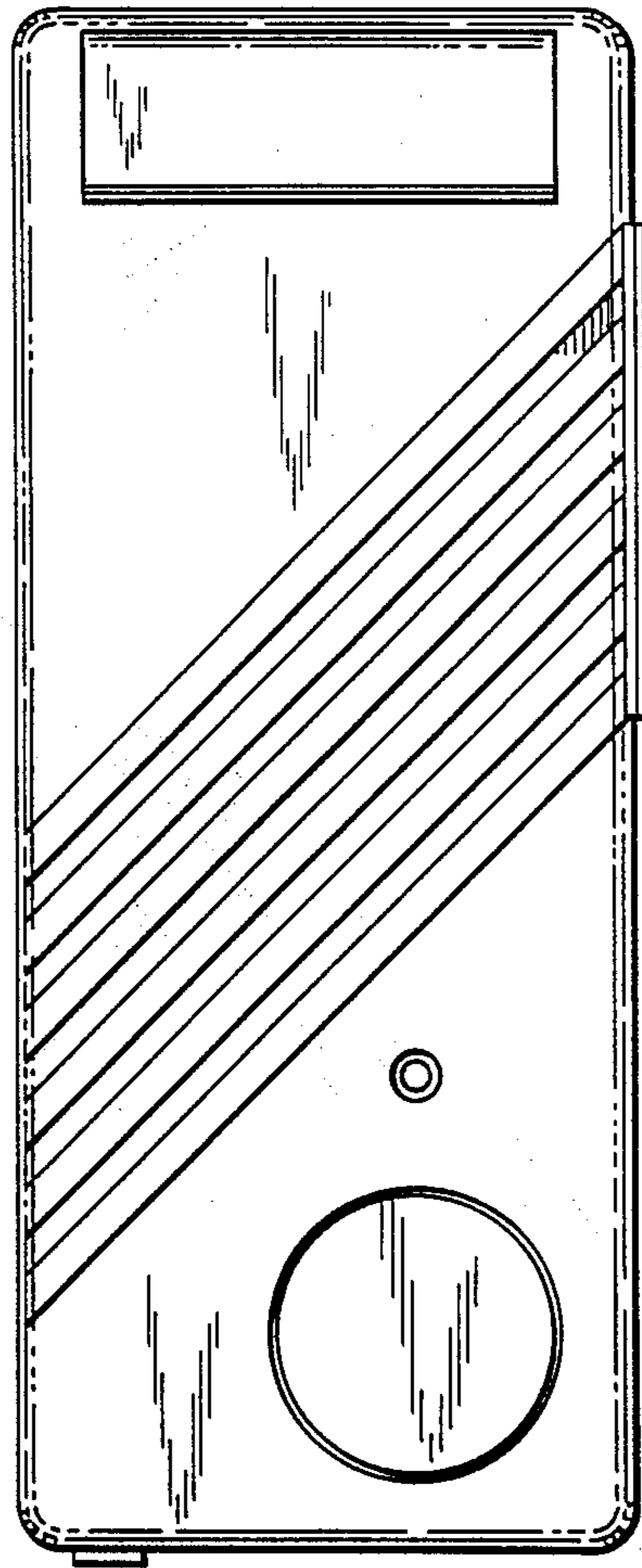


FIG. 2

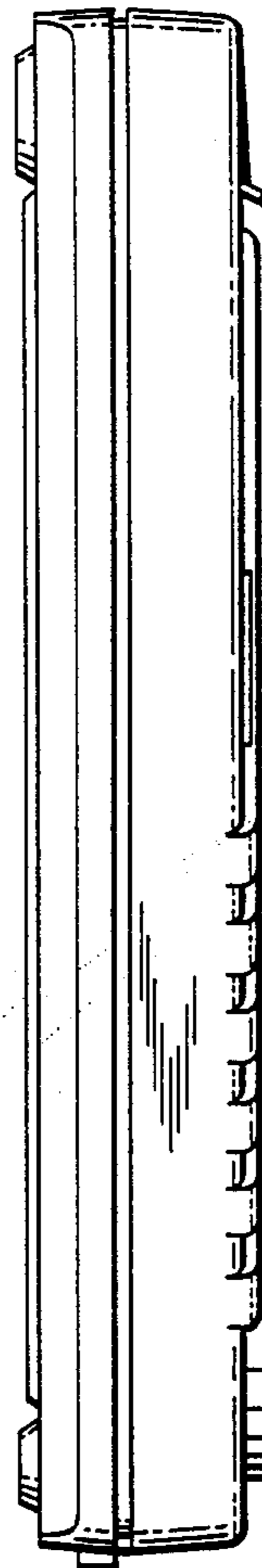


FIG. 4

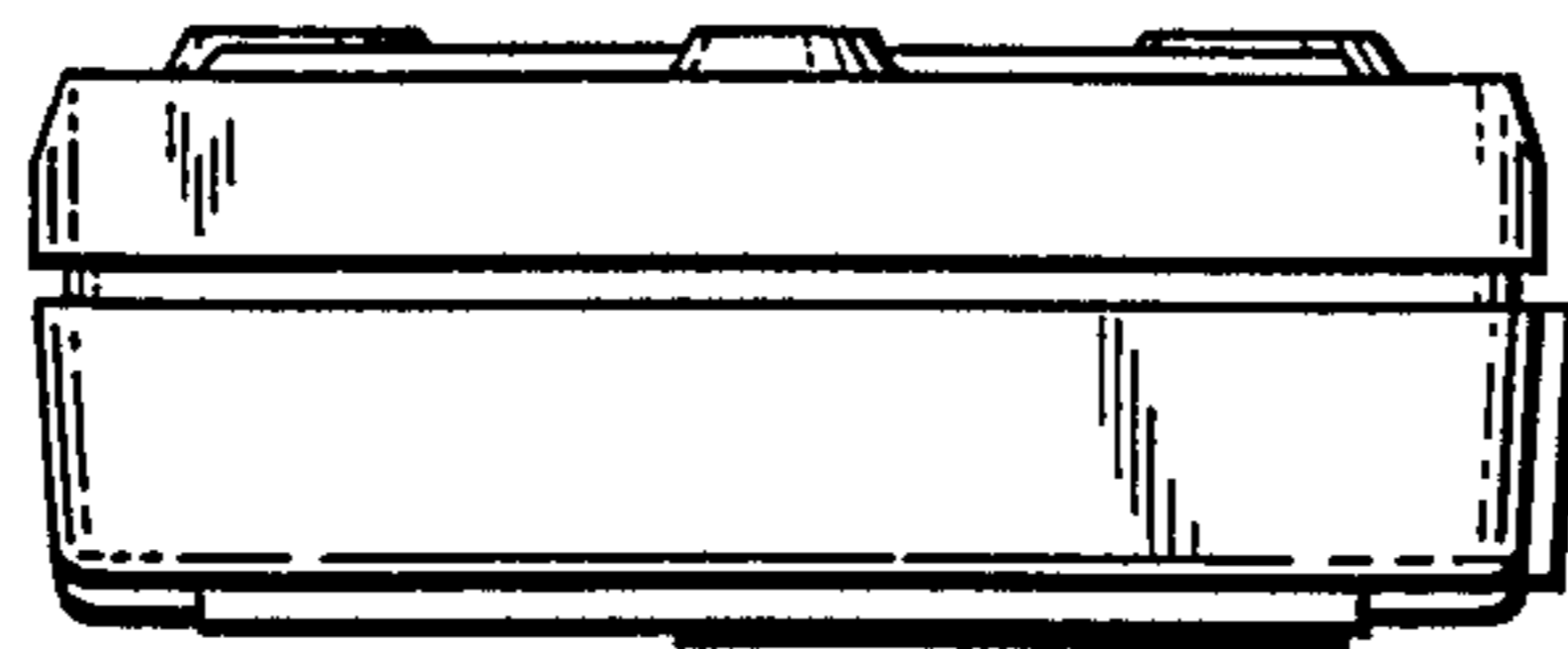


FIG. 3

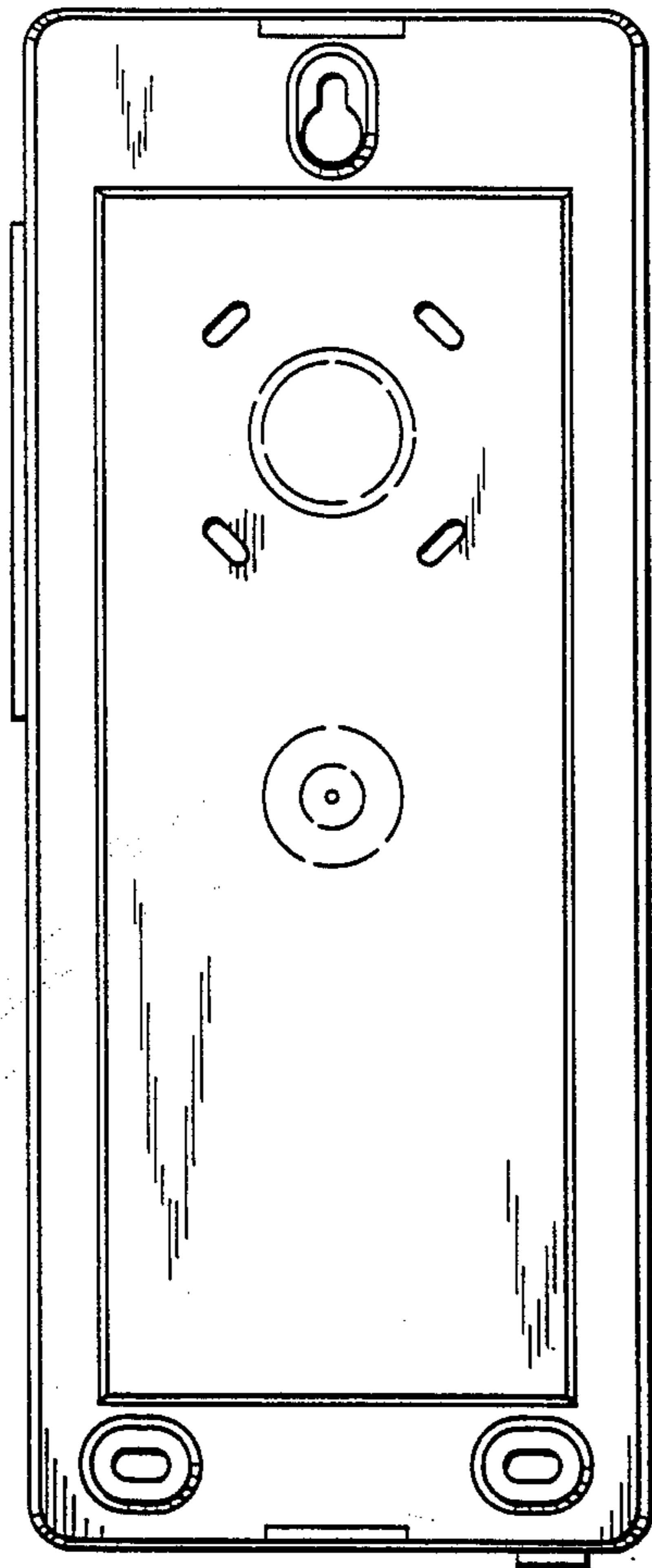


FIG. 6

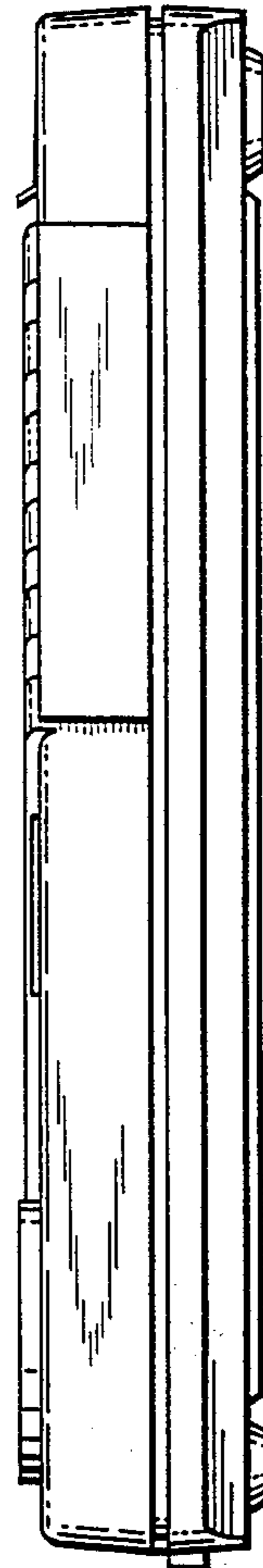


FIG. 5

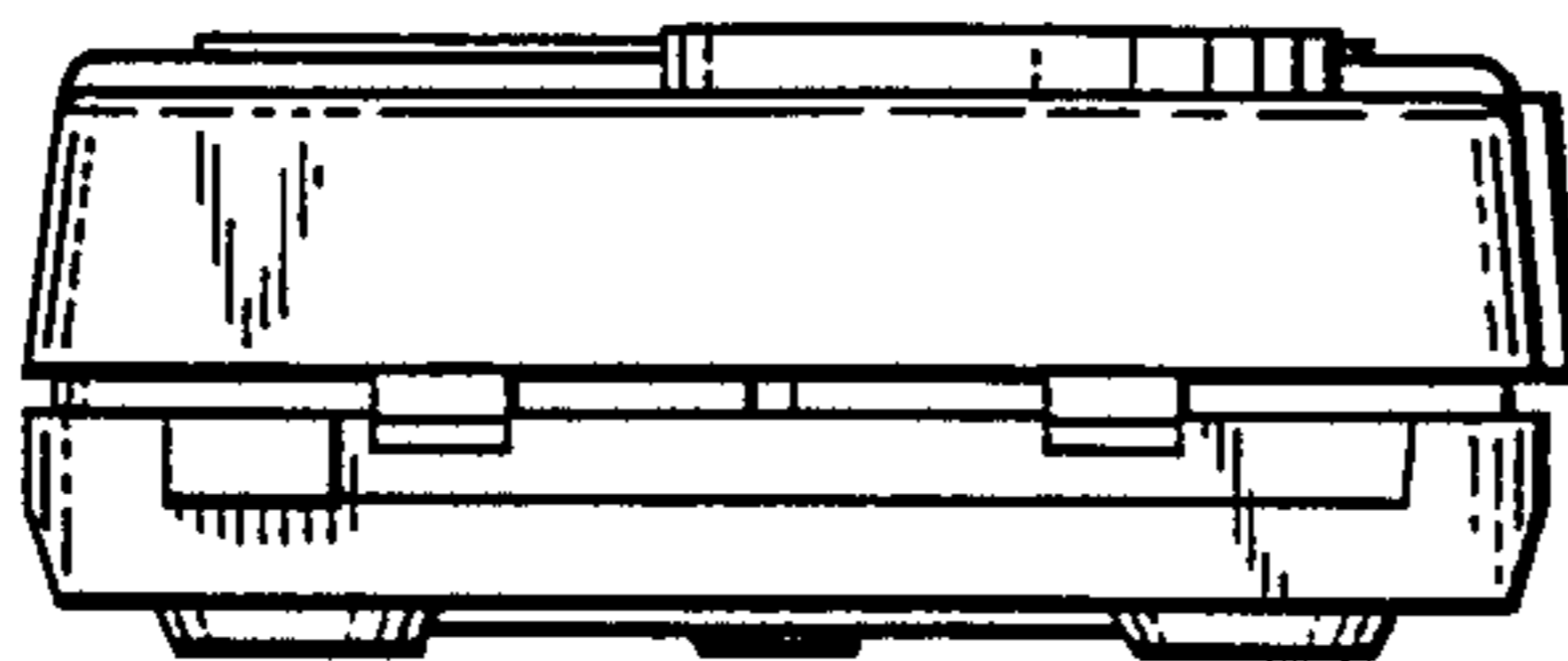


FIG. 7