

[54] TELEPHONE HANDSET

[75] Inventor: Guy E. Desbarats, London, England

[73] Assignee: British Telecommunications public limited company, London, England

[**] Term: 14 Years

[21] Appl. No.: 286,023

[22] Filed: Dec. 19, 1988

[30] Foreign Application Priority Data

Jun. 22, 1988 [GB] United Kingdom 1051769

[52] U.S. Cl. D14/148; D14/248

[58] Field of Search D14/147, 142, 148, 248, D14/138; 379/433, 440, 436, 58, 59; 455/89, 90

[56] References Cited

U.S. PATENT DOCUMENTS

- D. 190,867 7/1961 Mosing D14/147
- D. 264,465 5/1982 MacKenzie D14/148
- D. 265,733 8/1982 Fukastrima et al. D14/148

- D. 270,248 8/1983 Fukashima et al. D14/148
- D. 271,491 11/1983 Taylor D14/148
- D. 272,442 1/1984 Trussler D14/147
- D. 280,895 10/1985 Kao D14/148
- D. 280,986 10/1985 Kao D14/147
- D. 286,778 11/1986 Beaumont D14/148
- D. 299,137 12/1988 Soren et al. D14/148
- 4,395,591 7/1983 Kaczkos D14/142 X

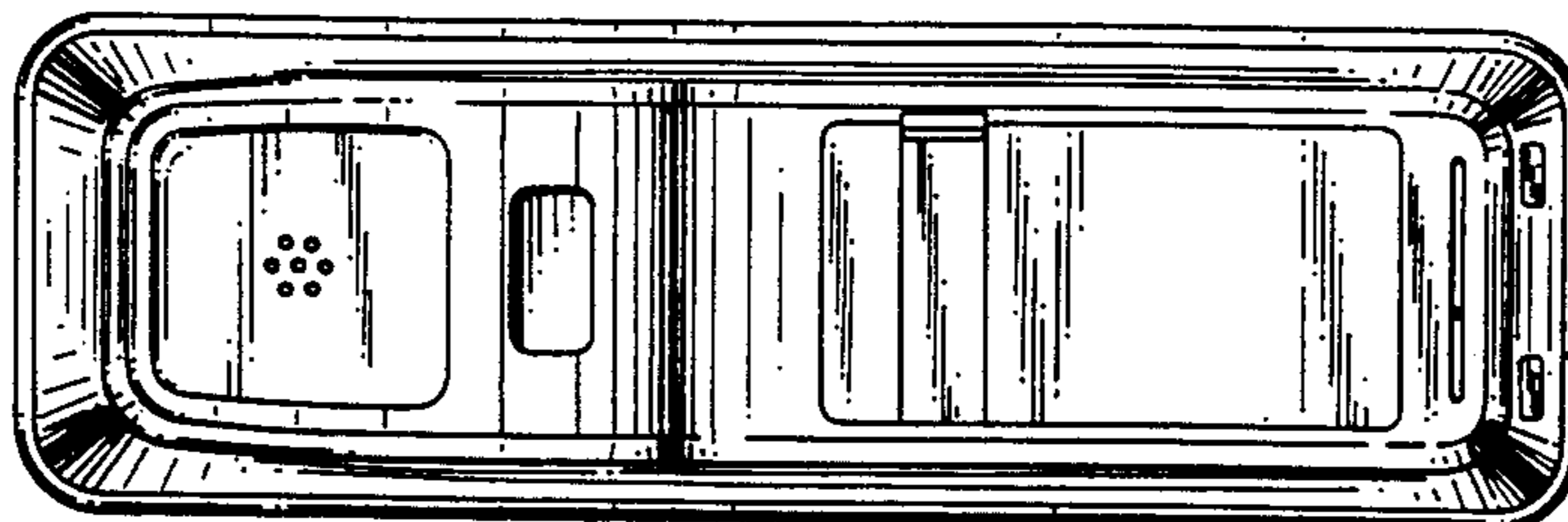
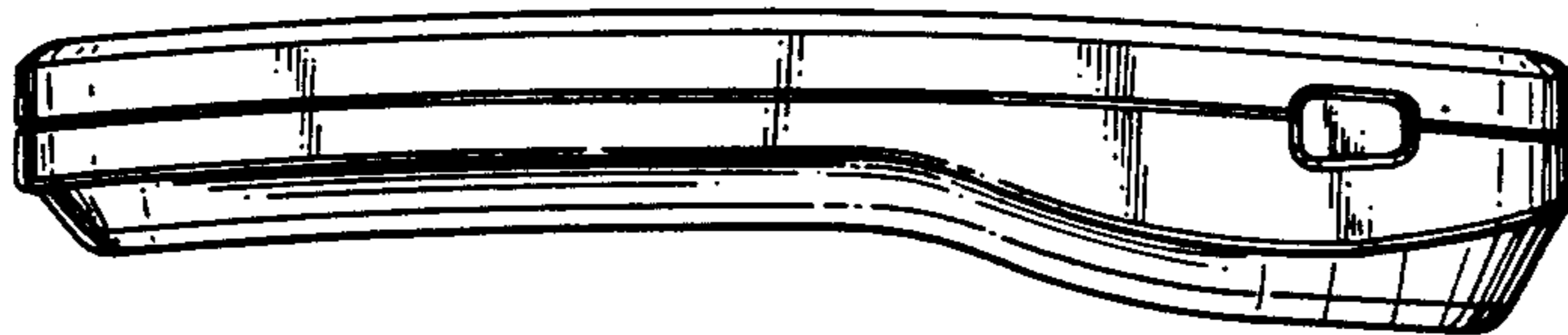
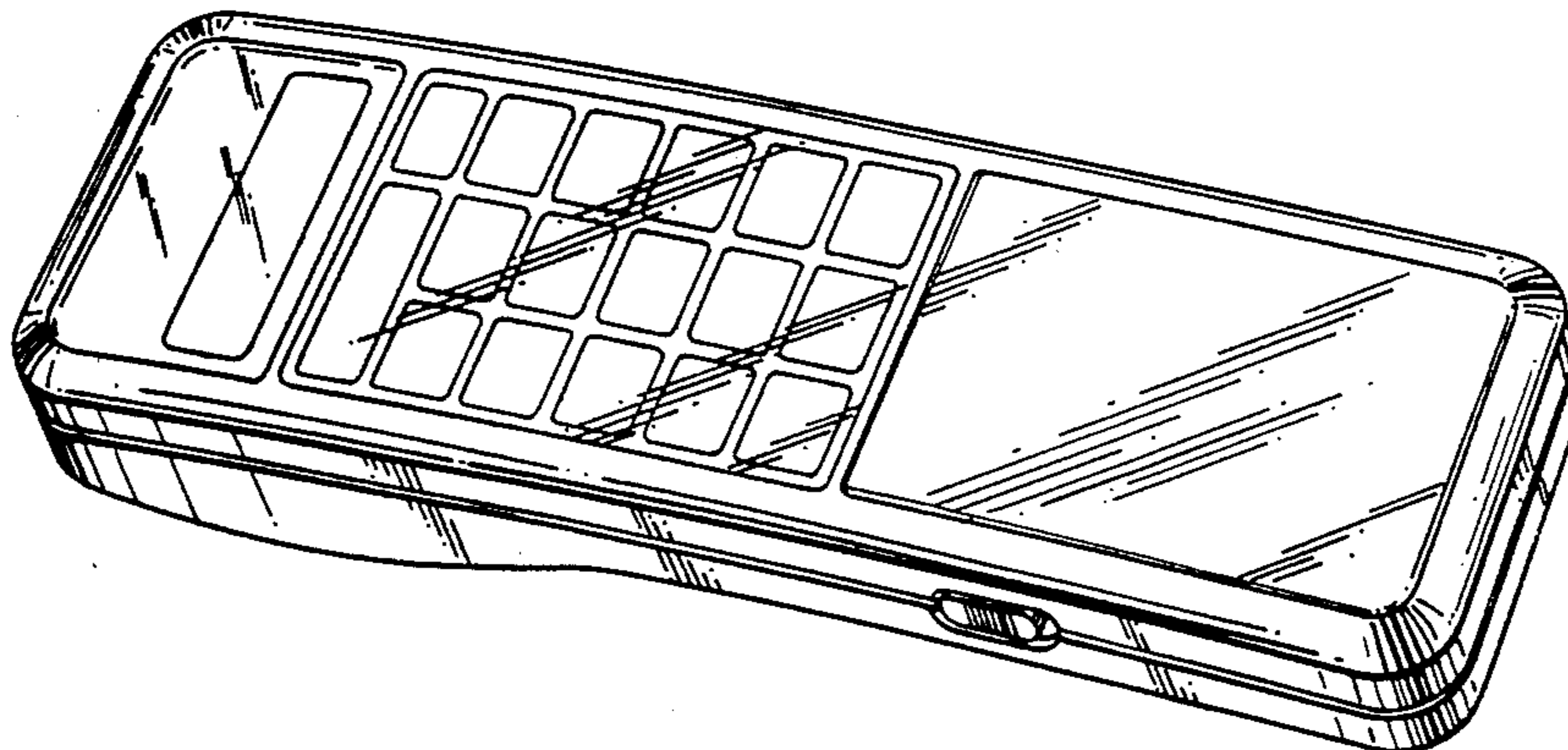
Primary Examiner—Horace B. Fay, Jr.
Attorney, Agent, or Firm—Nixon & Vanderhye

[57] CLAIM

The ornamental design for a telephone handset, as shown and described.

DESCRIPTION

FIG. 1 is a front, top and left side perspective view of a telephone handset showing my new design; FIG. 2 is a right side elevational view thereof; FIG. 3 is a front end elevational view thereof; FIG. 4 is a rear end elevational view thereof; and FIG. 5 is a bottom plan view thereof.



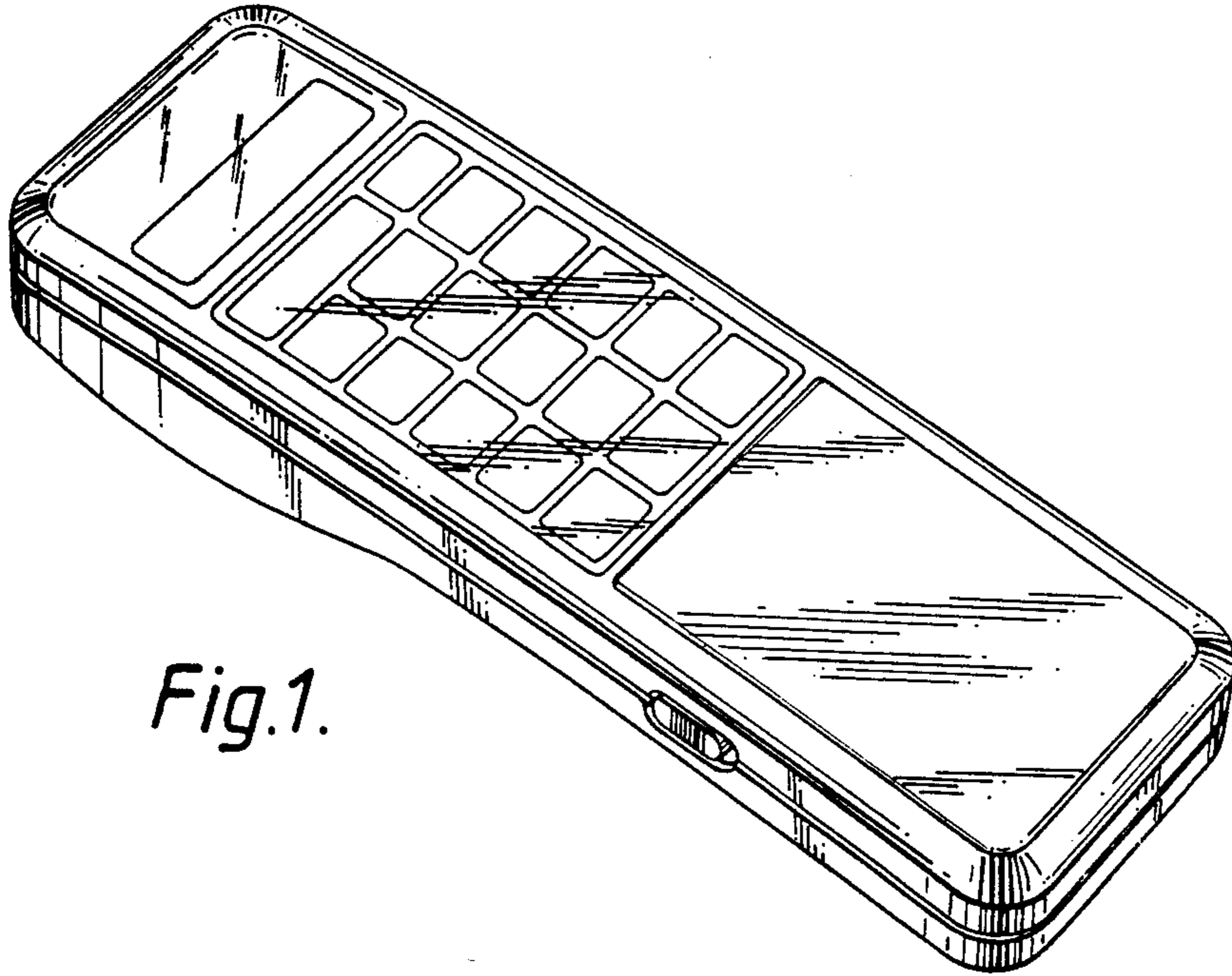


Fig.1.

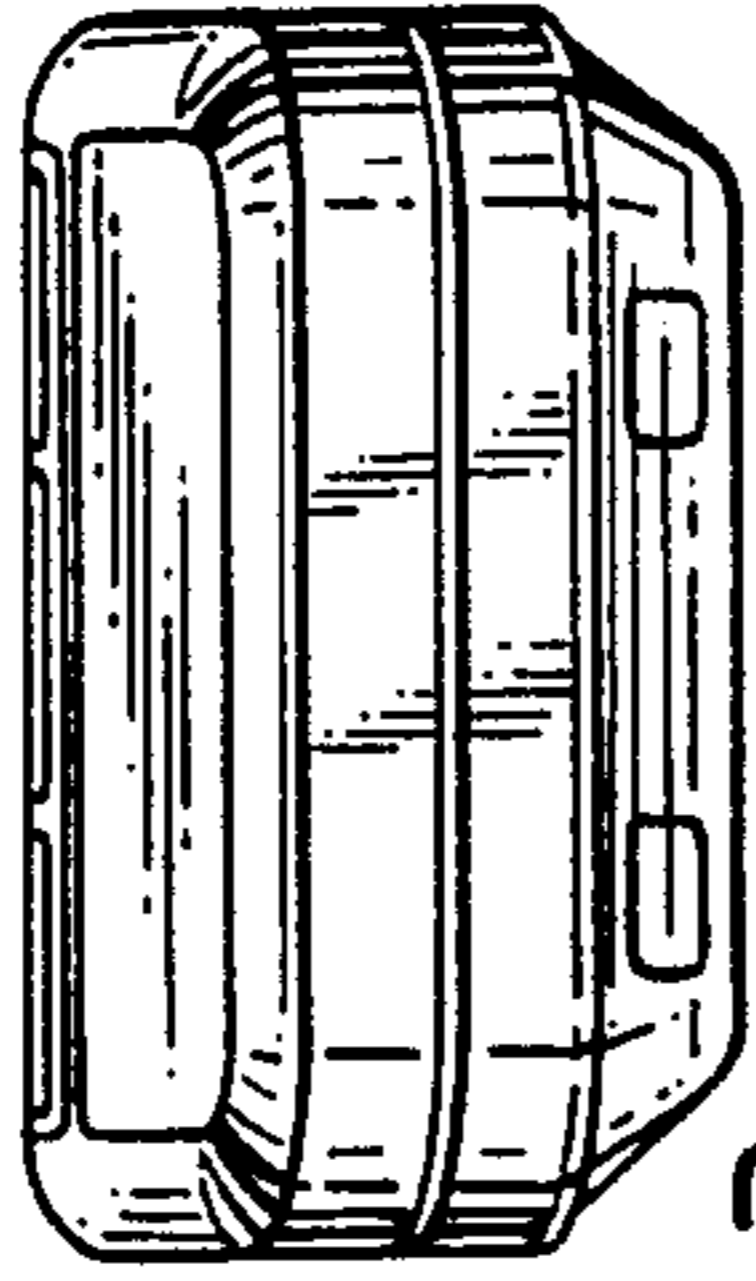


Fig. 3.

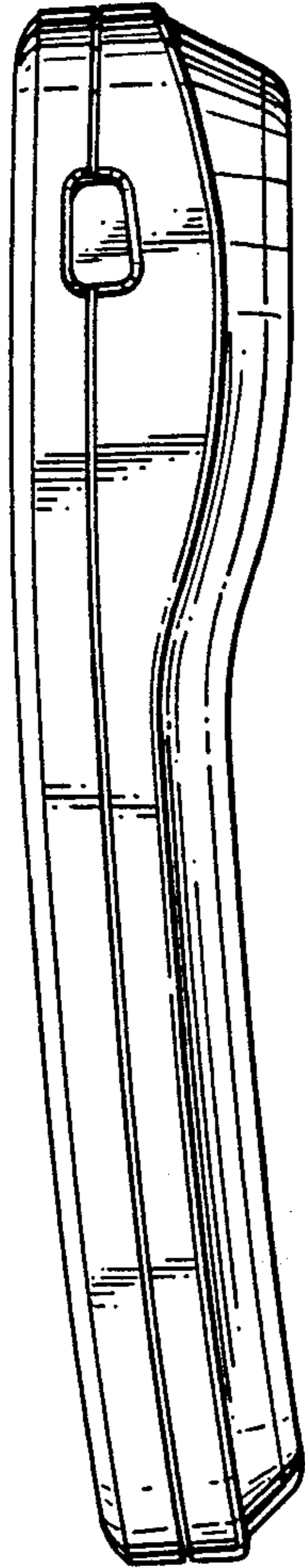


Fig. 2.

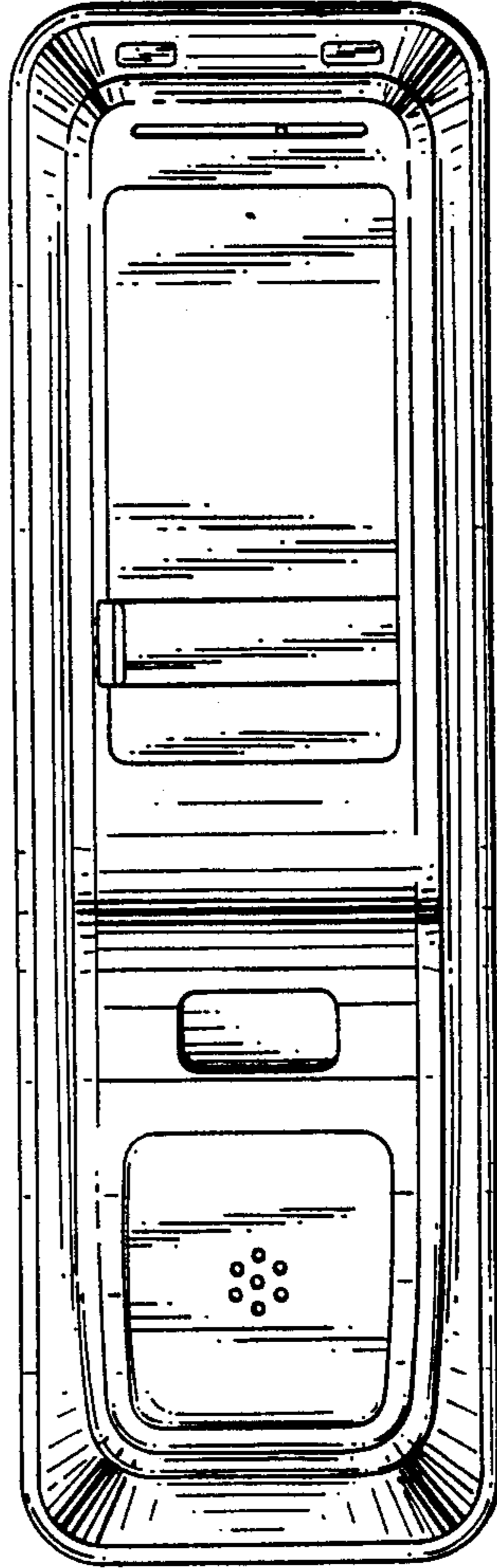


Fig. 5.



Fig. 4.