

[54] **TELEPHONE HANDSET HANG-UP DEVICE OR SIMILAR ARTICLE**

[75] **Inventor: Albert L. Nagele, Wilmette, Ill.**

[73] **Assignee: Motorola, Inc., Schaumburg, Ill.**

[\*\*] **Term: 14 Years**

[21] **Appl. No.: 288,042**

[22] **Filed: Dec. 21, 1988**

[52] **U.S. Cl. .... D14/138; D14/253; D14/251**

[58] **Field of Search ..... D14/142, 138, 140, 251, D14/250, 240; 379/446, 424, 433, 440, 419, 428, 435**

[56] **References Cited**

**U.S. PATENT DOCUMENTS**

D. 246,043	10/1977	Taylor	.....	D14/53
D. 246,103	10/1977	Taylor	.....	D14/53
D. 248,758	8/1978	Krolopp et al.	.....	D14/53
D. 264,078	4/1982	Fukushima et al.	.....	D14/53
D. 266,506	10/1982	Fukushima	.....	D14/138
D. 267,318	12/1982	Fukushima et al.	.....	D14/53
D. 267,872	2/1983	Fukushima et al.	.....	D14/138
D. 274,427	6/1984	Fredrickson	.....	D14/138
D. 278,708	5/1985	Taylor et al.	.....	D14/60
D. 282,169	1/1986	Larson	.....	D14/65
D. 283,420	4/1986	Reichenstein et al.	.....	D14/138
D. 284,764	7/1986	Felix et al.	.....	D14/60
D. 289,895	5/1987	Shibayama et al.	.....	D14/138
4,620,067	10/1986	D'Agostini	.....	379/446
4,710,596	12/1987	Kurokawa	.....	379/424
4,723,281	2/1988	Peiker et al.	.....	379/433

4,731,836	3/1988	Awakaukz et al.	.....	379/446
4,771,927	9/1988	Ventura	.....	379/446
4,782,528	11/1988	Inoue et al.	.....	379/433

**FOREIGN PATENT DOCUMENTS**

0194453	11/1983	Japan	.....	379/424
0105748	6/1984	Japan	.....	379/424

**OTHER PUBLICATIONS**

Radio Shack: Product Brochure: CT-200 Mobile/Portable Telephone, 1987.

Nokia Mobira Model 432 Mobile/Portable System Phone-Advertisement in Cellular Business, Aug. 1987.

*Primary Examiner*—Horace B. Fay, Jr.

*Attorney, Agent, or Firm*—Raymond A. Jencki; Rolland R. Hackbart

[57] **CLAIM**

The ornamental design for a "telephone handset hang-up device or similar article", as shown and described.

**DESCRIPTION**

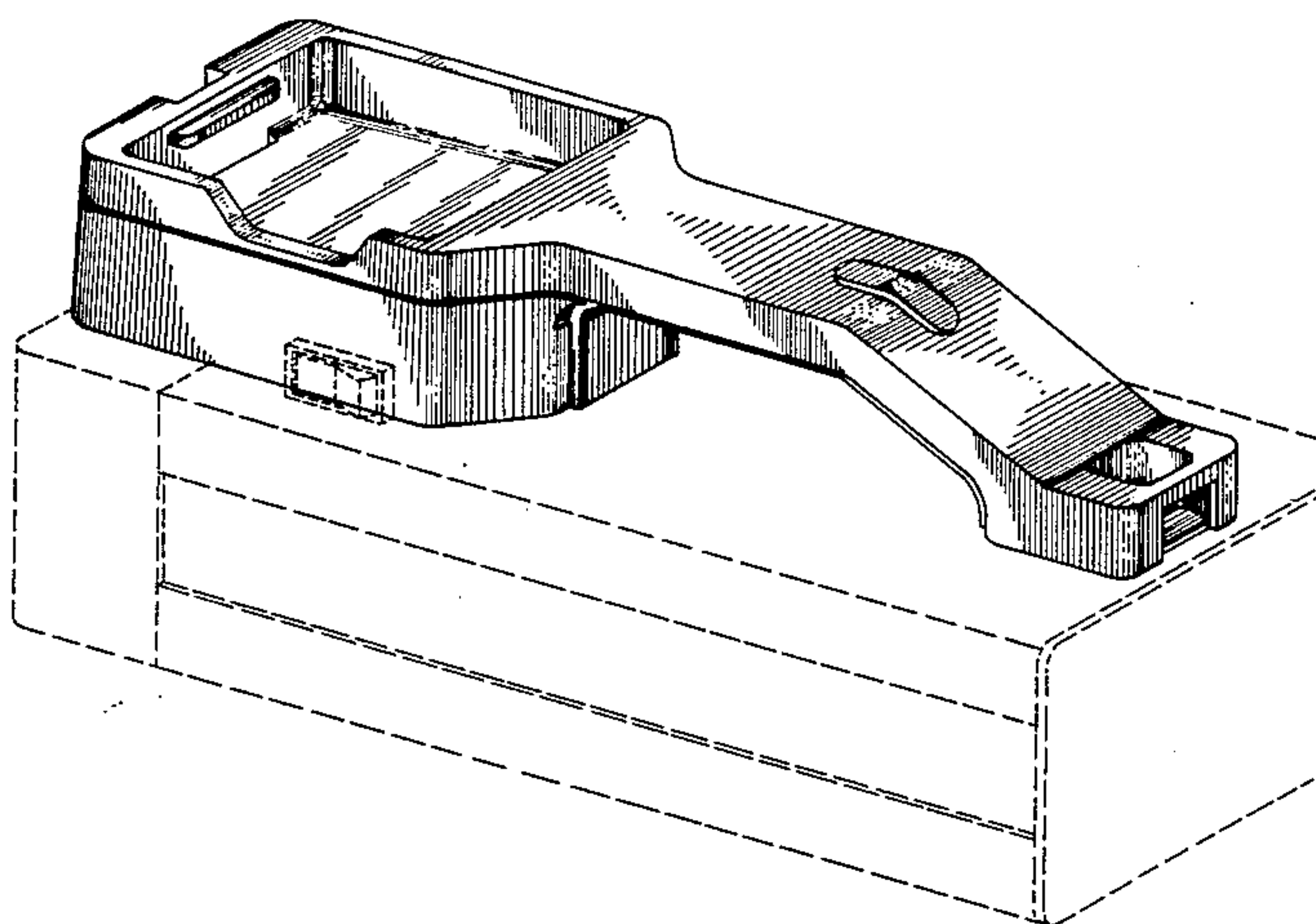
FIG. 1 is a bottom, front, and right side perspective view of a "telephone handset hang-up device or similar article" showing our new design in full lines, with the broken line matter being for illustrative purposes only and forming no part of the claimed design;

FIG. 2 is a left side elevational view thereof;

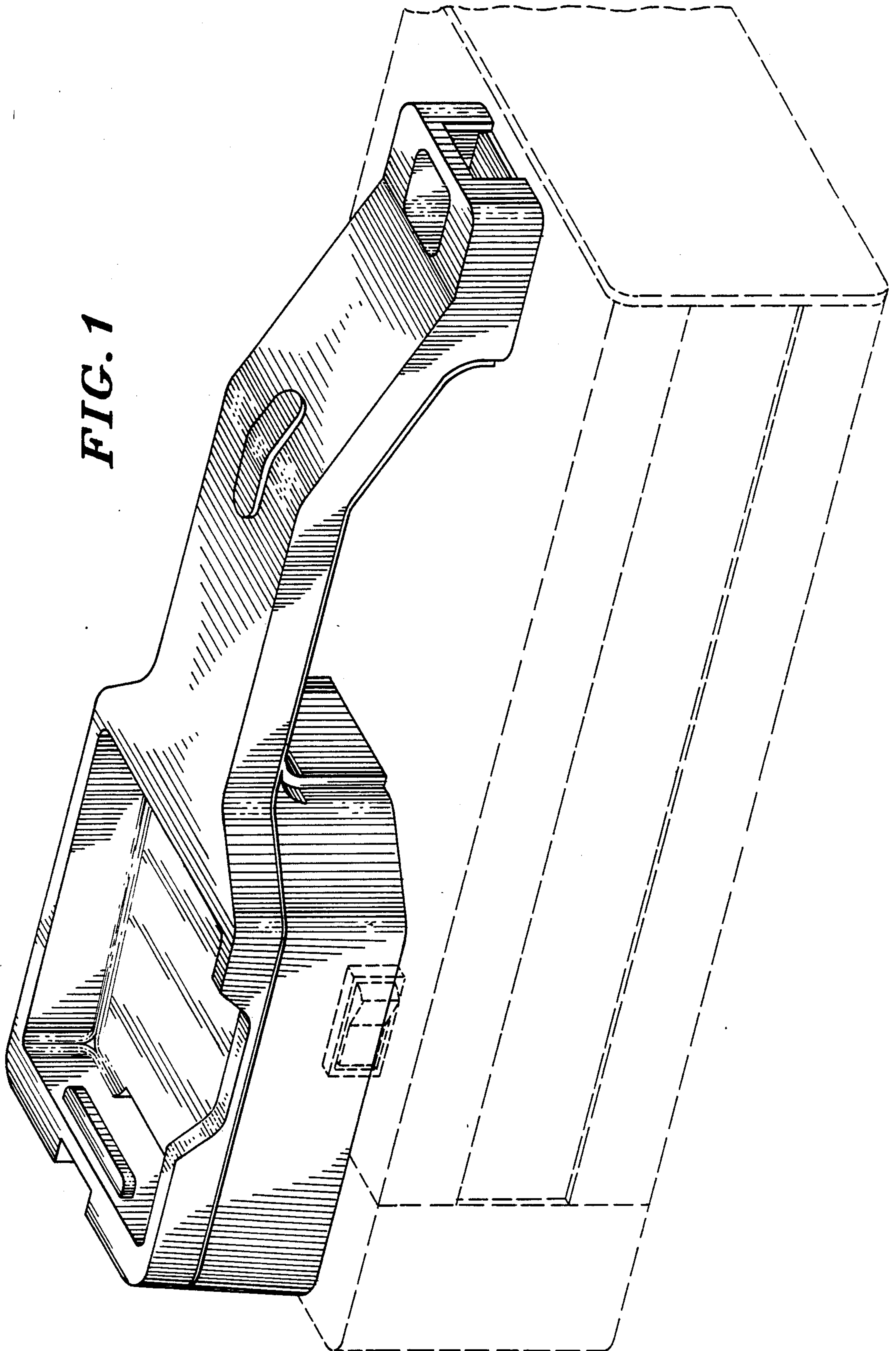
FIG. 3 is a rear elevational view thereof; and

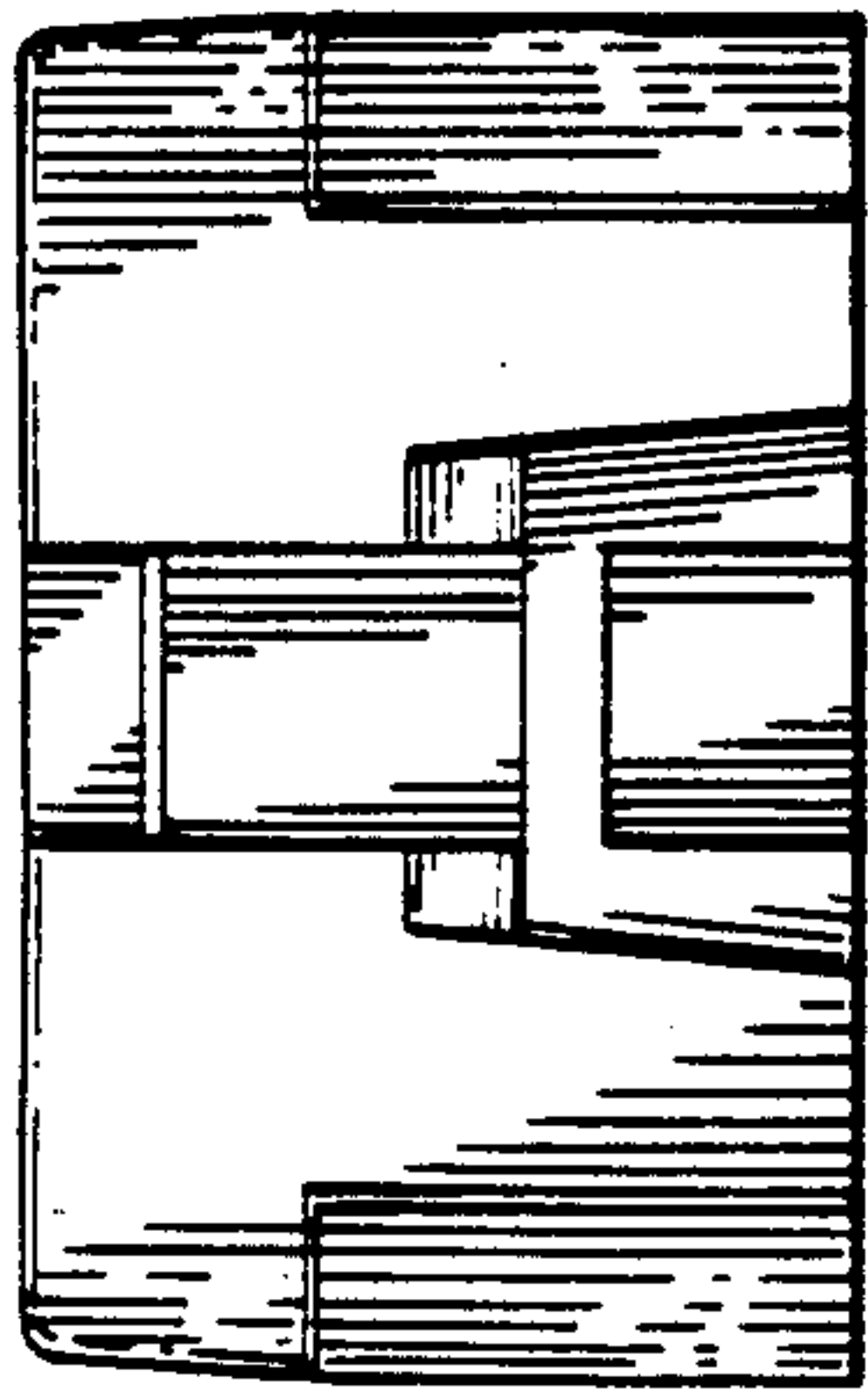
FIG. 4 is a bottom plan view thereof.

The broken line showing of environmental association in FIG. 1 is for illustrative purposes only and forms no part of the claimed design.

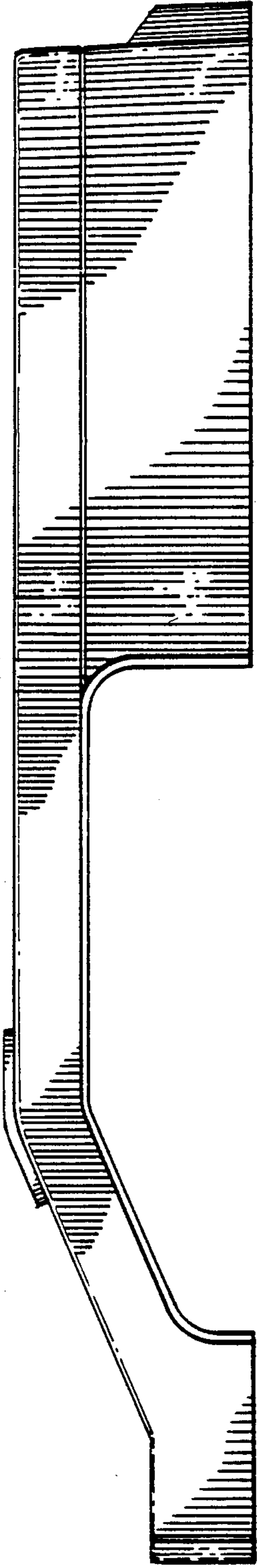


**FIG. 1**

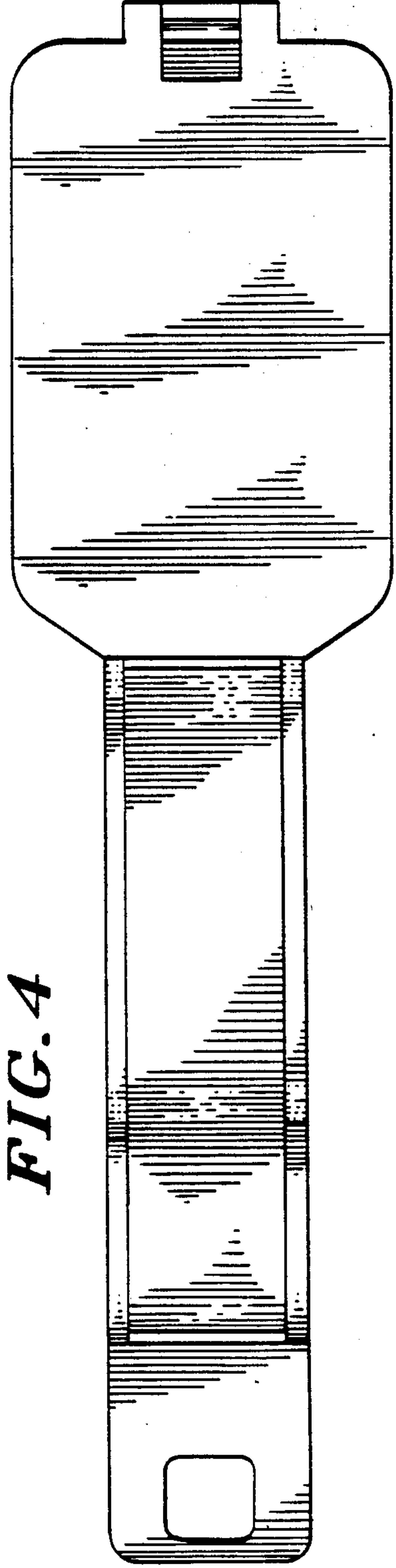




*FIG. 2*



*FIG. 3*



*FIG. 4*