

[54] TOUCH CONTROL SCREEN DISPLAY TERMINAL

[75] Inventors: Jeffrey C. Brown, Seattle; Terry G. Morey, Renton, both of Wash.

[73] Assignee: John Fluke Mfg. Co., Inc., Everett, Wash.

[**] Term: 14 Years

[21] Appl. No.: 867,256

[22] Filed: May 20, 1986

[52] U.S. Cl. D14/113

[58] Field of Search D14/100, 106, 113, 77, D14/80, 81, 82; 340/700, 711, 720; 358/254, 299; 312/7.2; 248/178, 179, 183, 157, 349, 371

[56] References Cited

U.S. PATENT DOCUMENTS

- D, 282,846 3/1986 Tsuburaya et al. D14/113
- D. 290,363 6/1987 Conway et al. D14/113
- D. 291,805 9/1987 Sharp D14/113

- D. 294,705 3/1988 Williams D14/113
- 4,570,892 2/1986 Czech et al. 248/183

OTHER PUBLICATIONS

Form 108/109, 1-1985, p. 45, Monitor (Gr. 290-Computer Box).

Primary Examiner—Susan J. Lucas
Attorney, Agent, or Firm—Mikio Ishimaru; Stephen A. Becker

[57] CLAIM

The ornamental design for a touch control screen display terminal, as shown and described.

DESCRIPTION

FIG. 1 is a front elevational view of a touch control screen display terminal showing my new design; FIG. 2 is a top plan view thereof; FIG. 3 is a right side elevational view thereof, the left side being a mirror image; FIG. 4 is a rear elevational view thereof; FIG. 5 is a bottom plan view thereof.

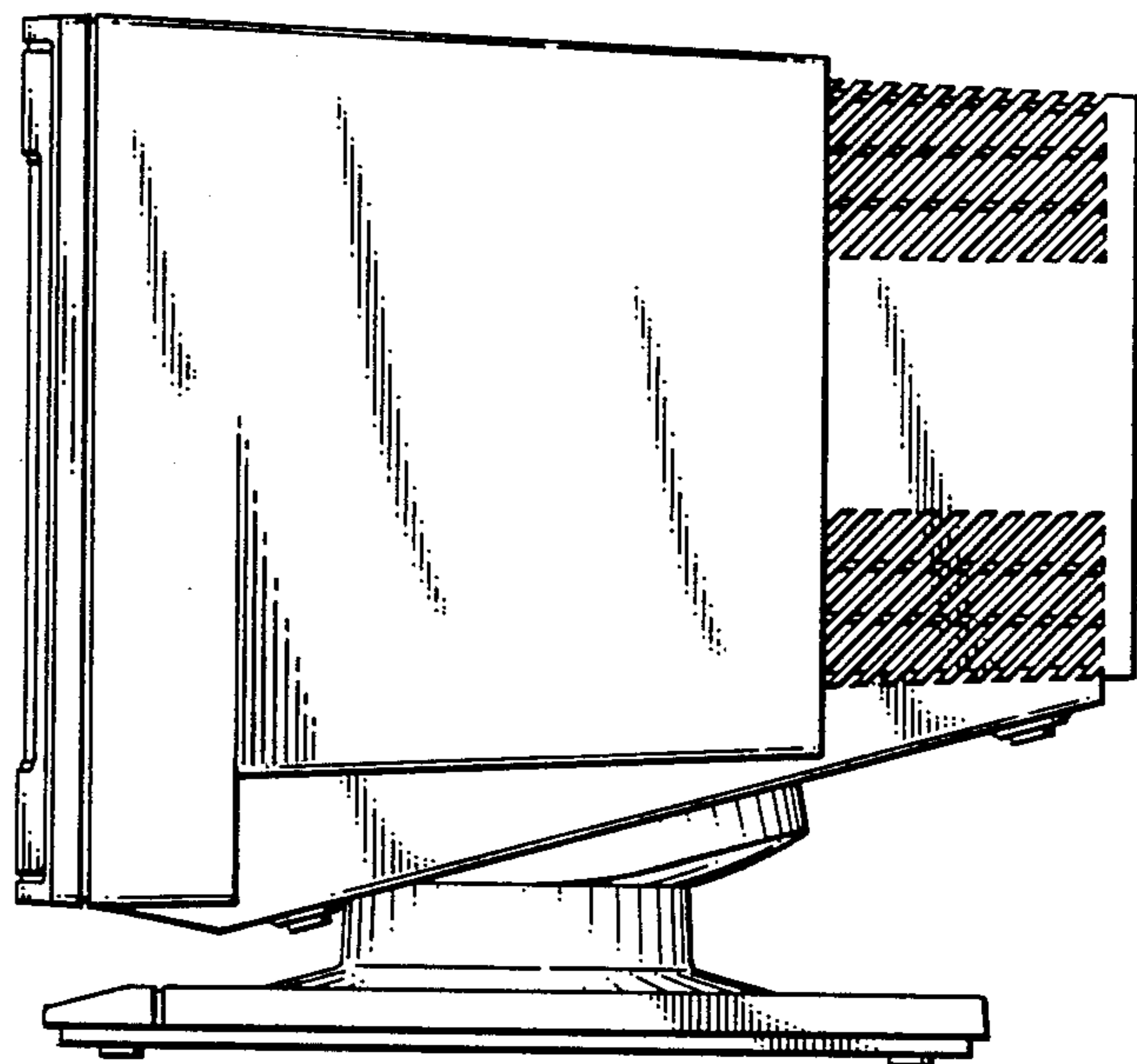
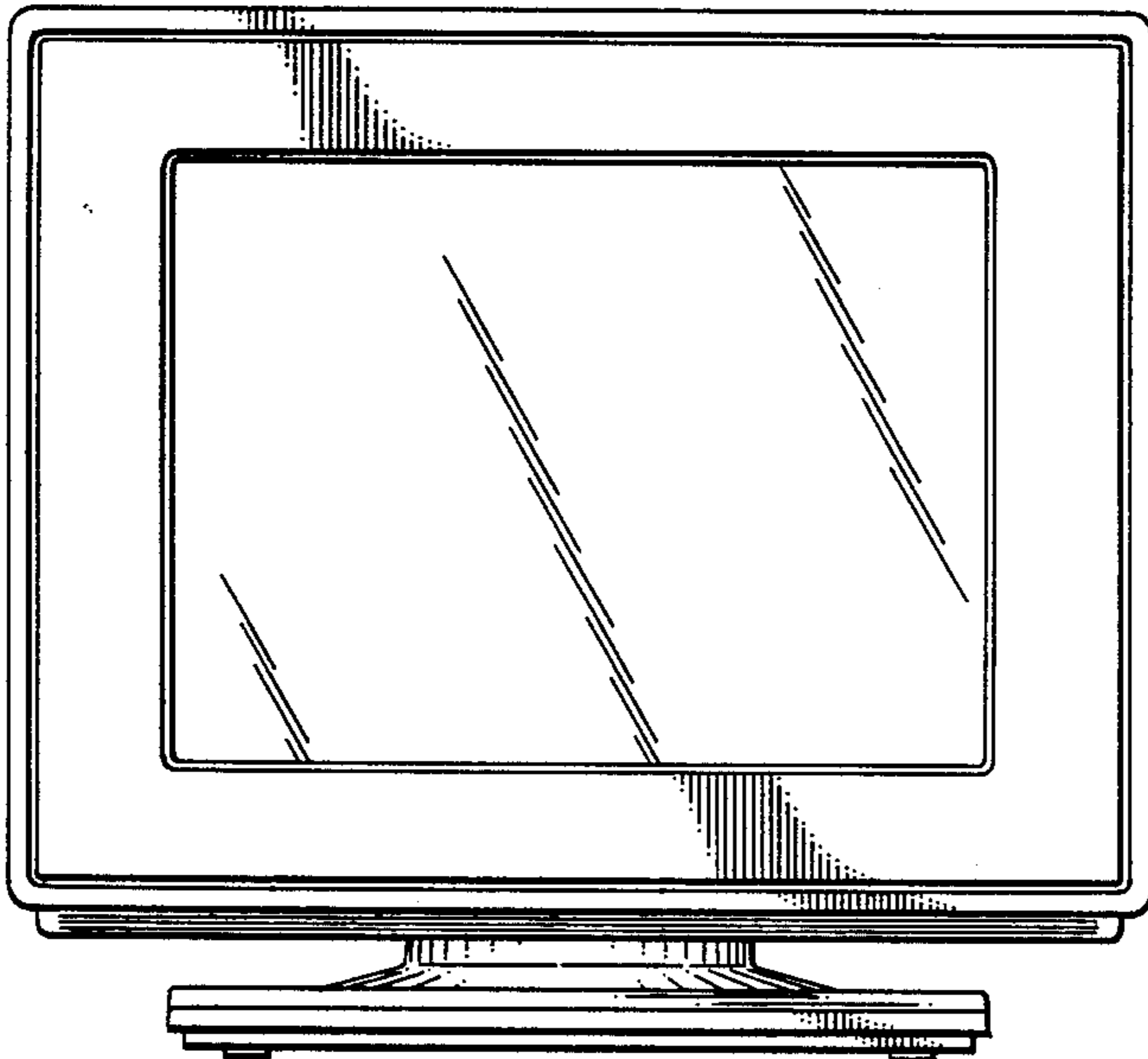


FIG. 1

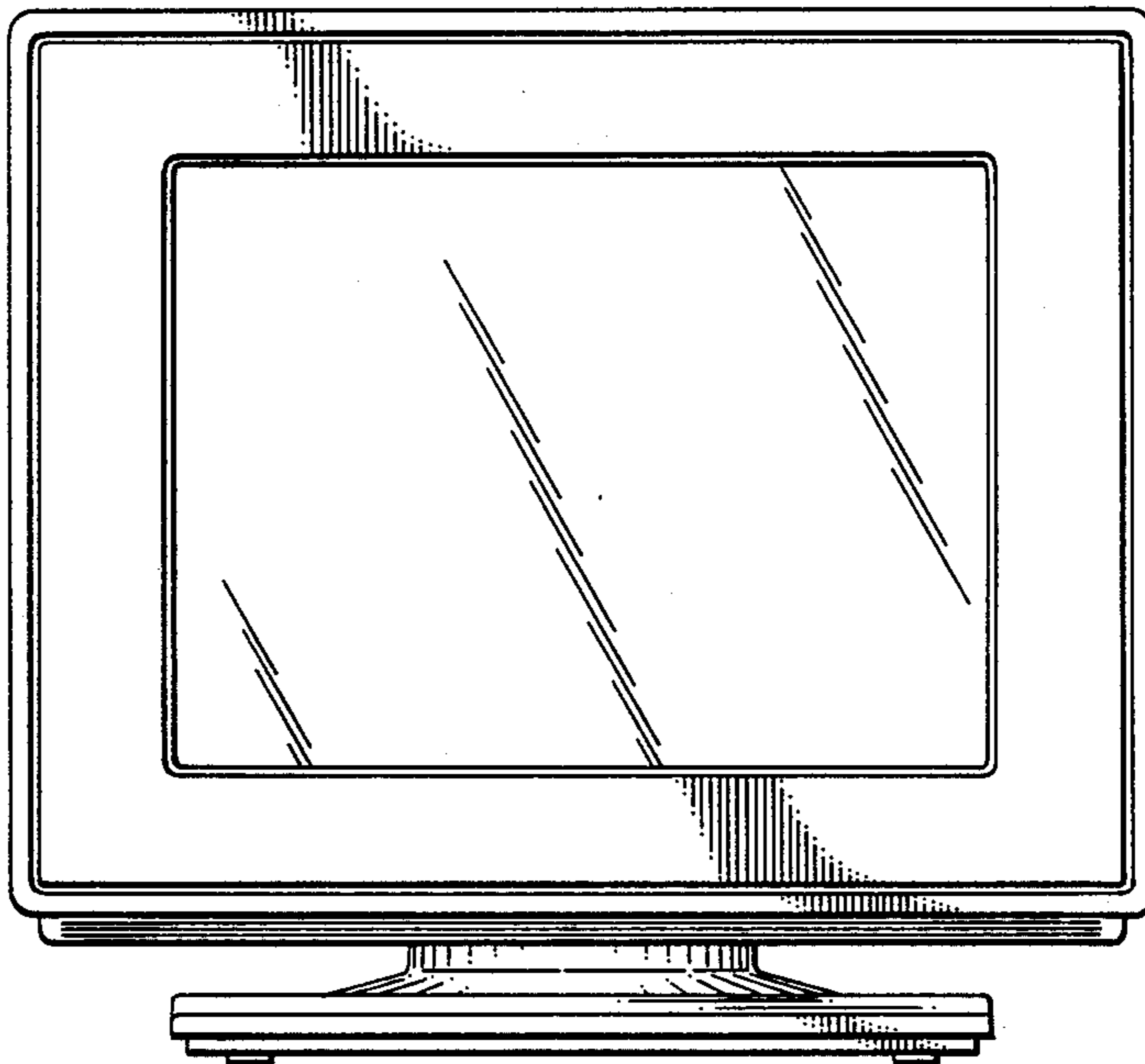


FIG. 2

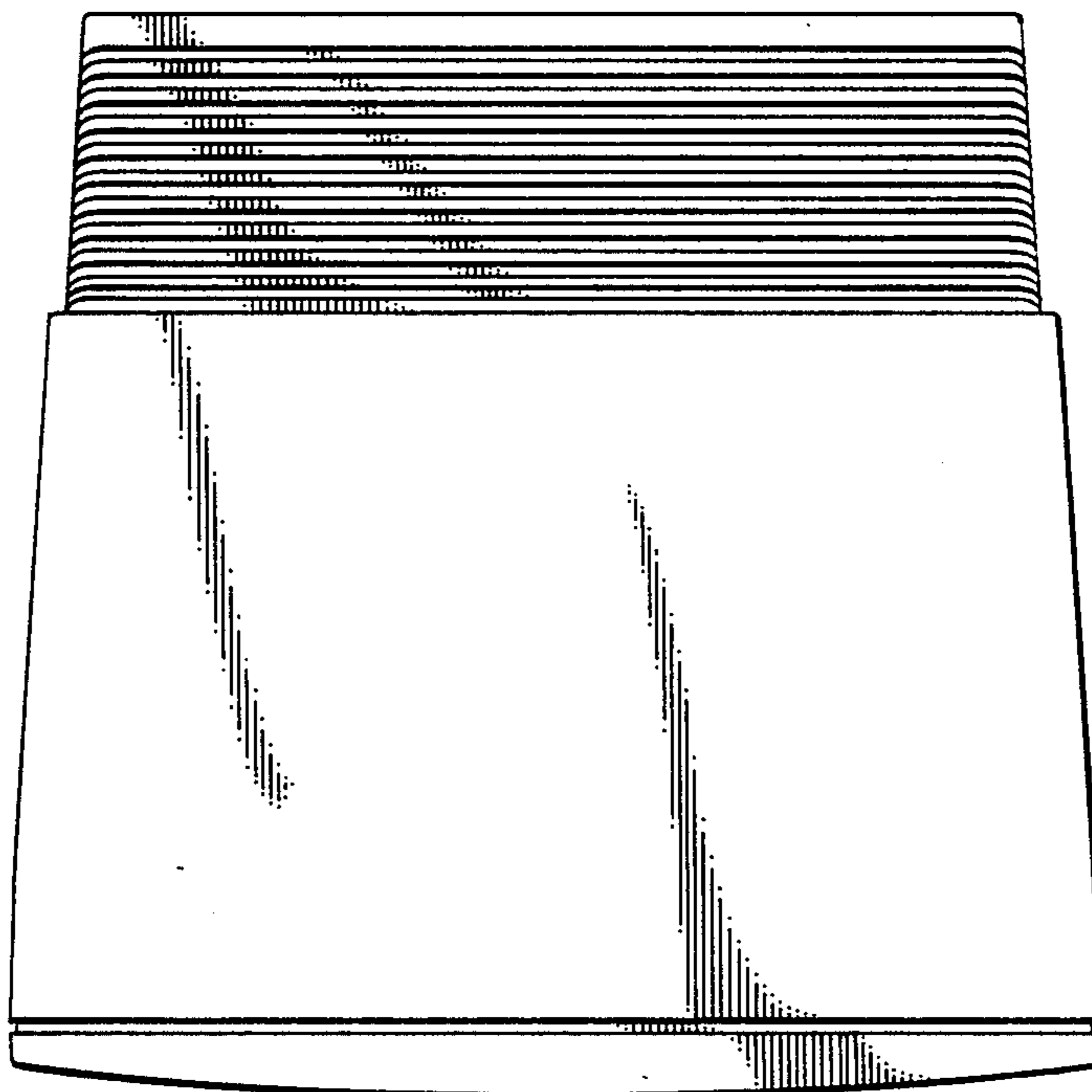


FIG. 3

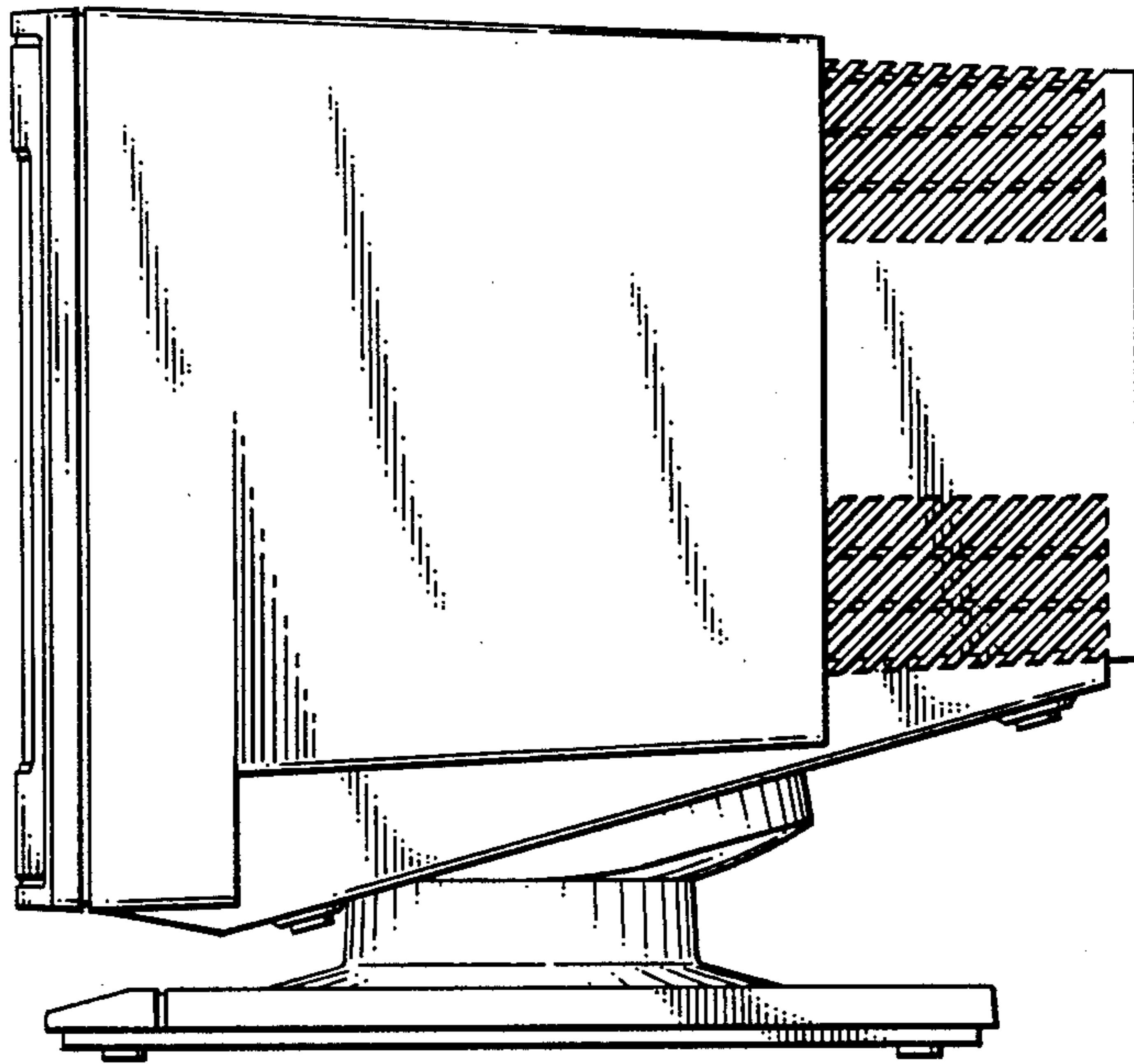


FIG. 4

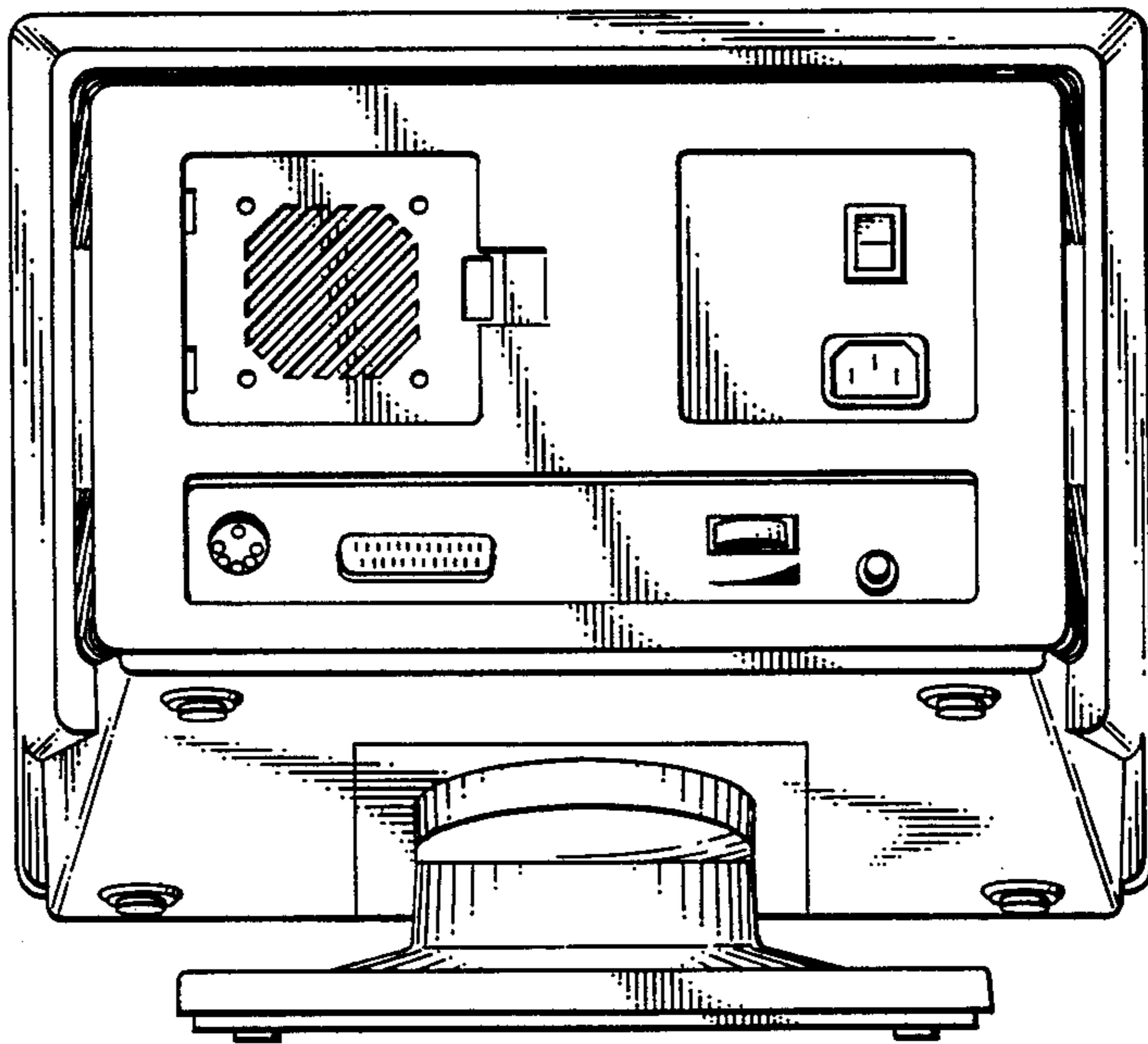


FIG. 5

