

[54] VAN CADDY FOR GOLFING
PARAPHERNALIA

D. 222,366 10/1971 Berger D6/552
D. 244,924 7/1977 Scheibner D34/21
4,008,874 2/1977 Conway, Jr. D12/16 X
4,533,013 8/1985 Hightower 224/274 X

[76] Inventors: Lee R. Roberts, 3325 S. 41 Hwy.,
Dalton, Ga. 30720; Steve Kearbey,
P.O. Box 2601, Dalton, Ga. 30722

Primary Examiner—Carmen H. Vales-Lado
Attorney, Agent, or Firm—Needle & Rosenberg

[**] Term: 14 Years

[57] CLAIM

[21] Appl. No.: 18,006

The ornamental design for a van caddy for golfing
paraphernalia, as shown and described.

[22] Filed: Feb. 24, 1987

DESCRIPTION

[52] U.S. Cl. D12/157; D6/462

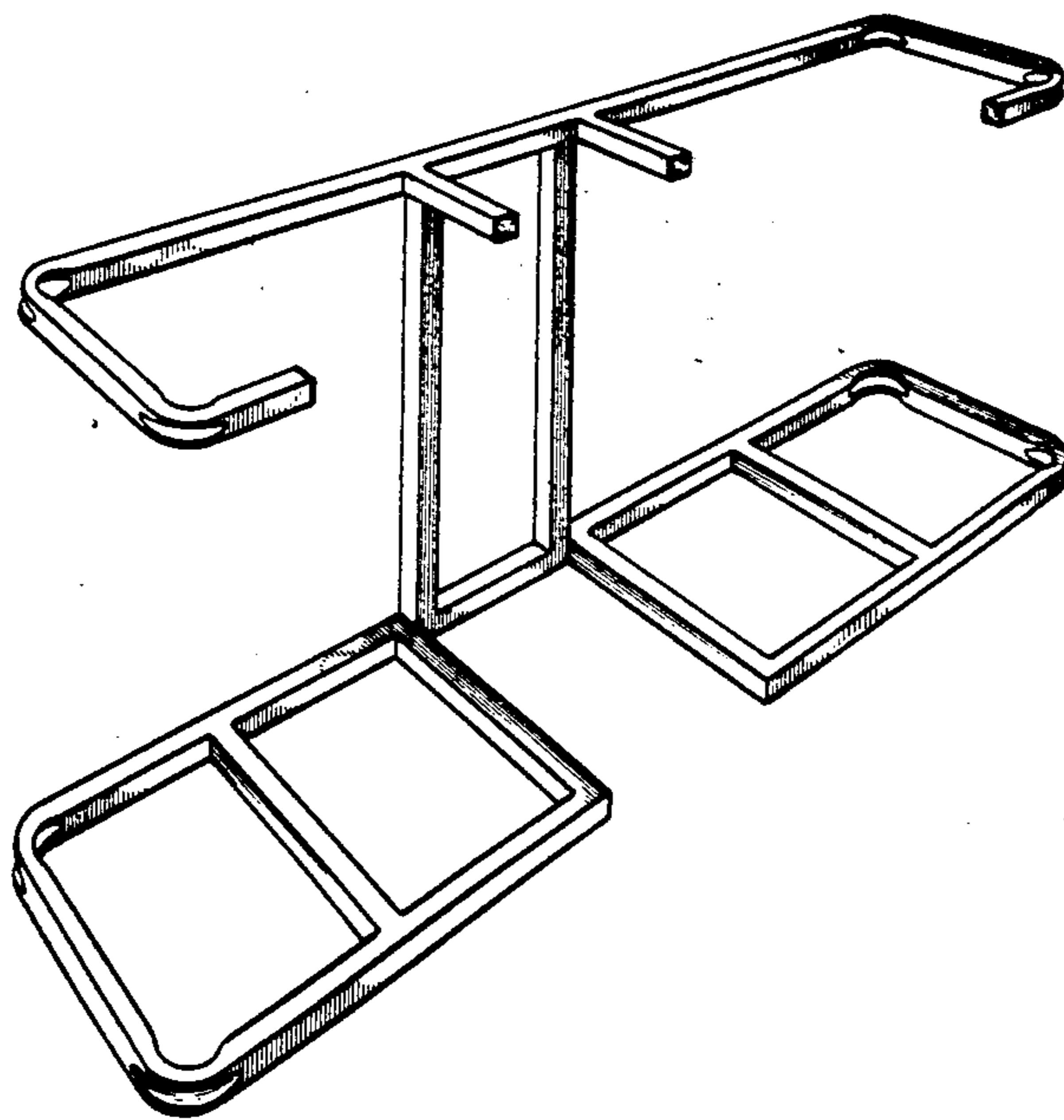
[58] Field of Search D12/16, 157; D6/462,
D6/552; 224/42.11, 42.42, 42.45 R, 273, 274

FIG. 1 is a perspective view of a van caddy for golfing
paraphernalia showing our new design;
FIG. 2 is a front elevational view thereof;
FIG. 3 is a rear elevational view thereof;
FIG. 4 is a left side elevational view thereof;
FIG. 5 is a right side elevational view thereof;
FIG. 6 is a top plan view thereof; and
FIG. 7 is a bottom plan view thereof.

[56] References Cited

U.S. PATENT DOCUMENTS

D. 181,224 10/1957 Musgrave D12/16
D. 190,309 5/1961 Lorensen D6/462



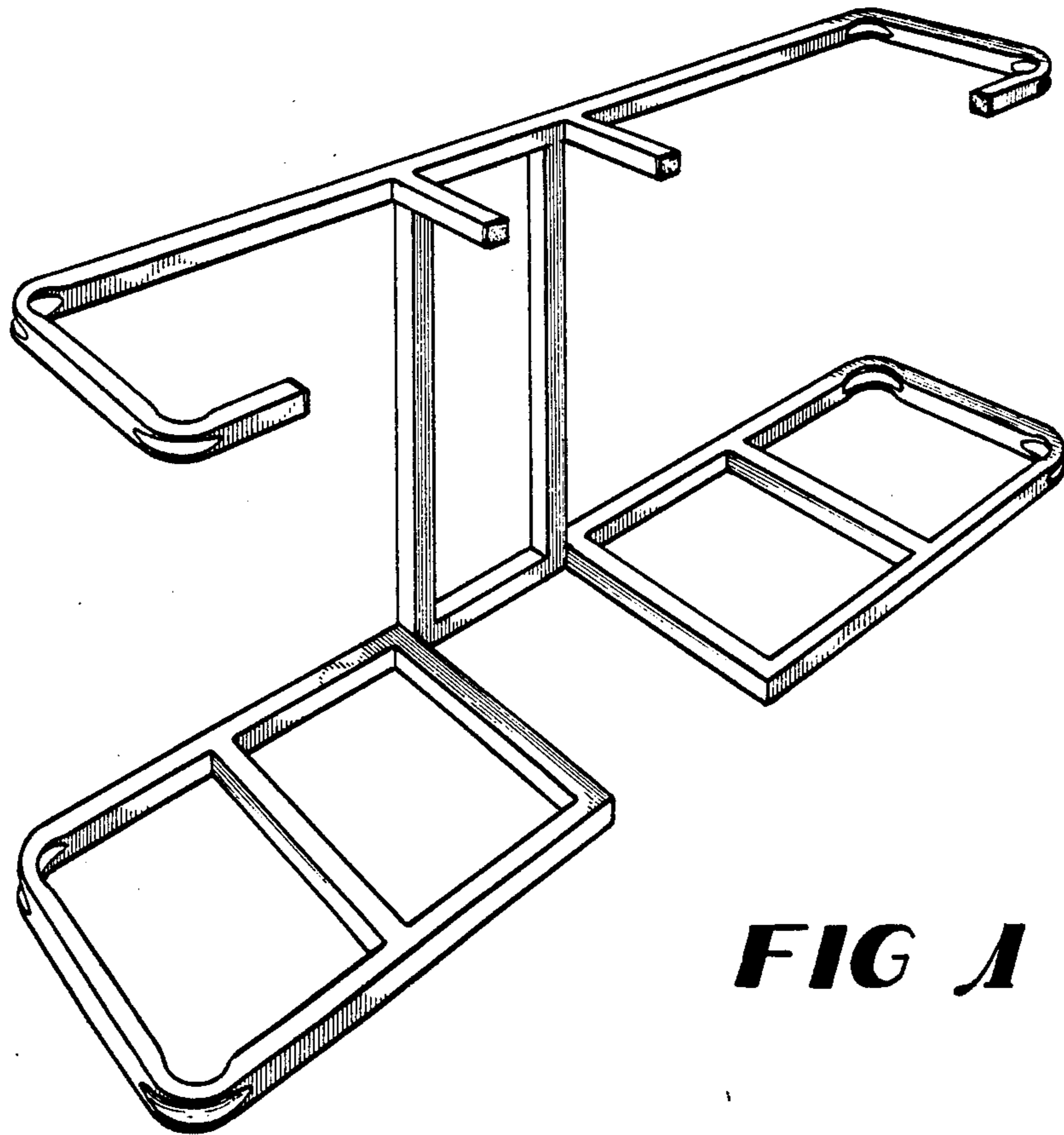


FIG 1

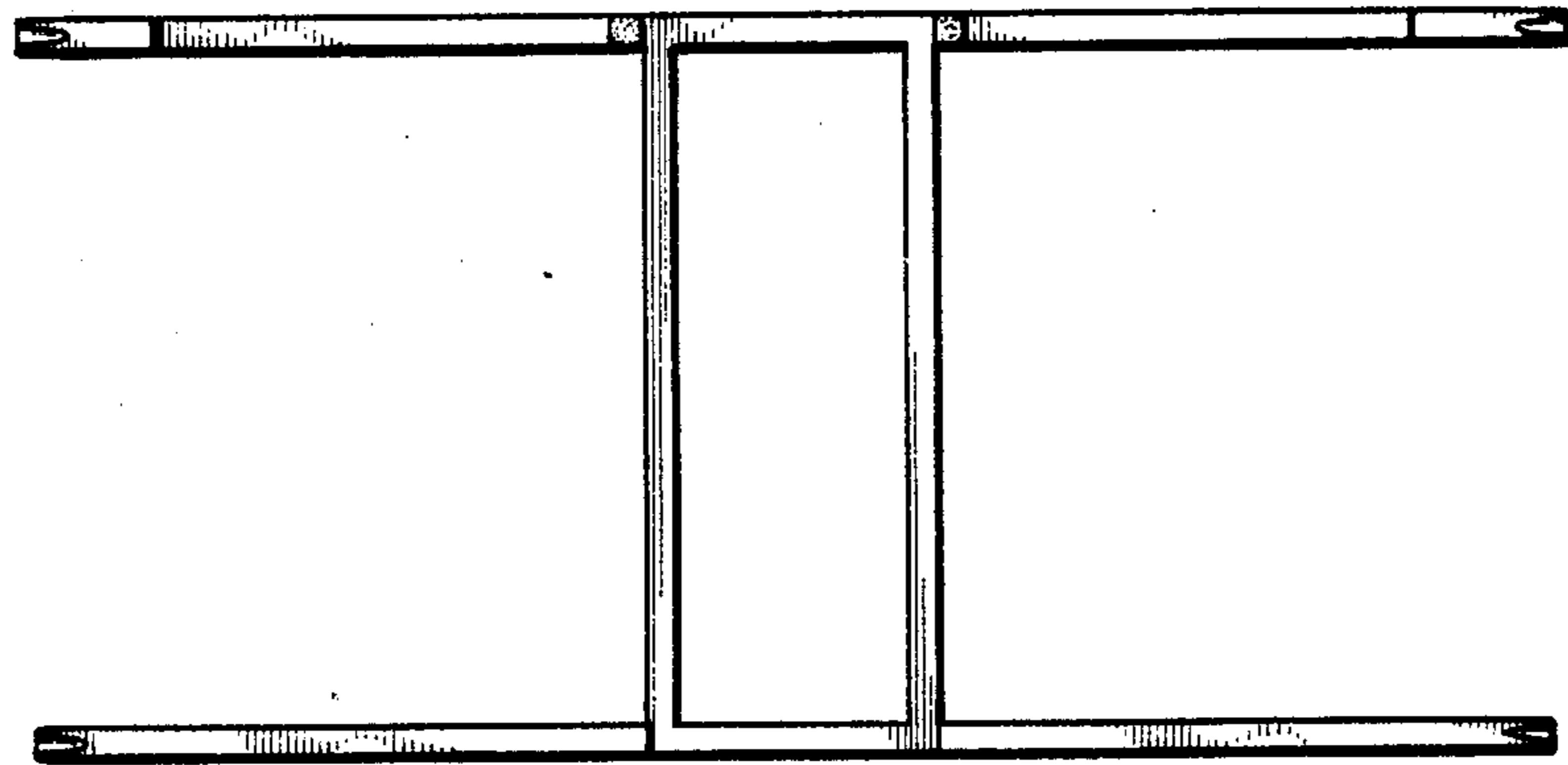


FIG 2

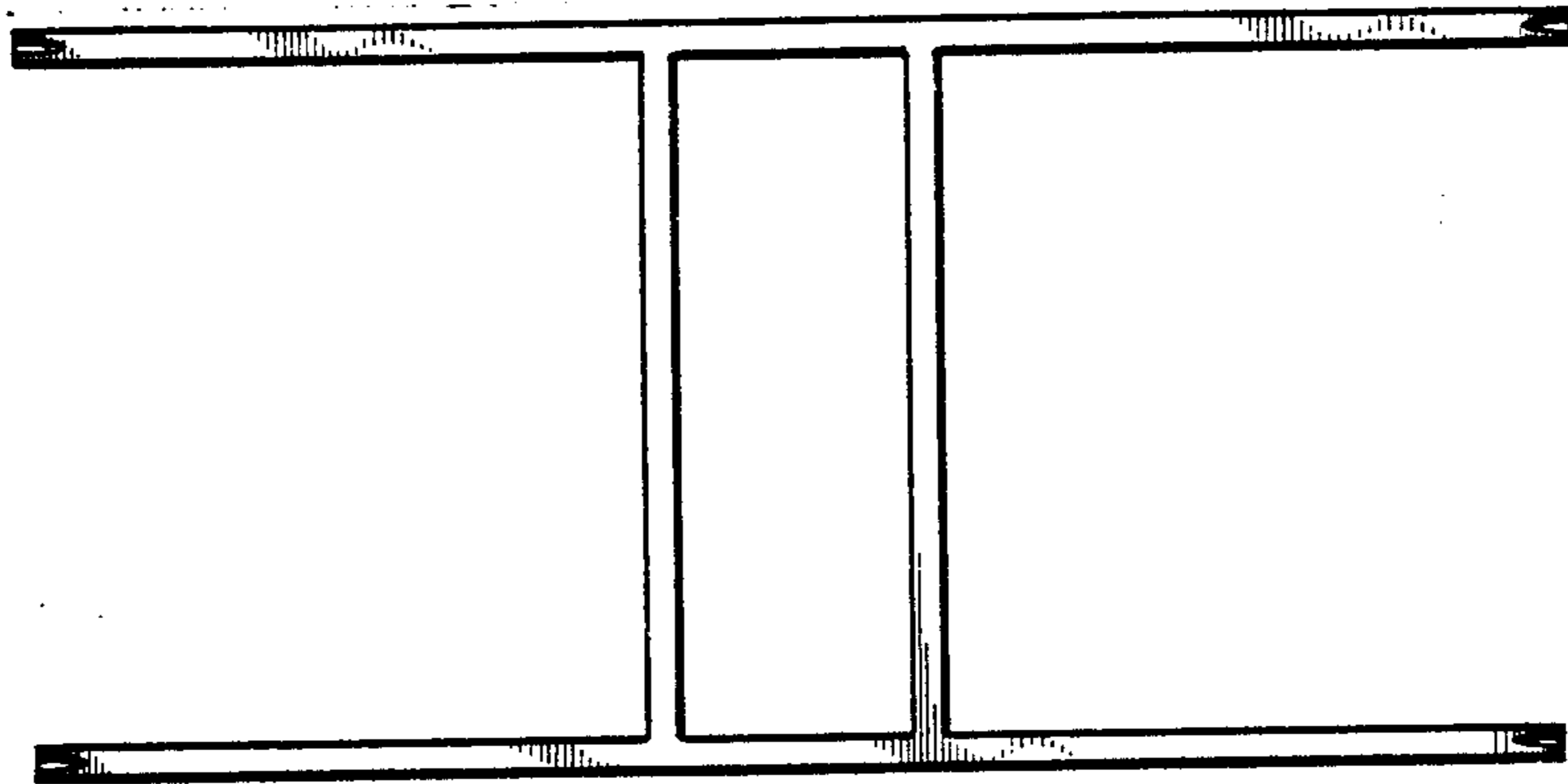


FIG 3

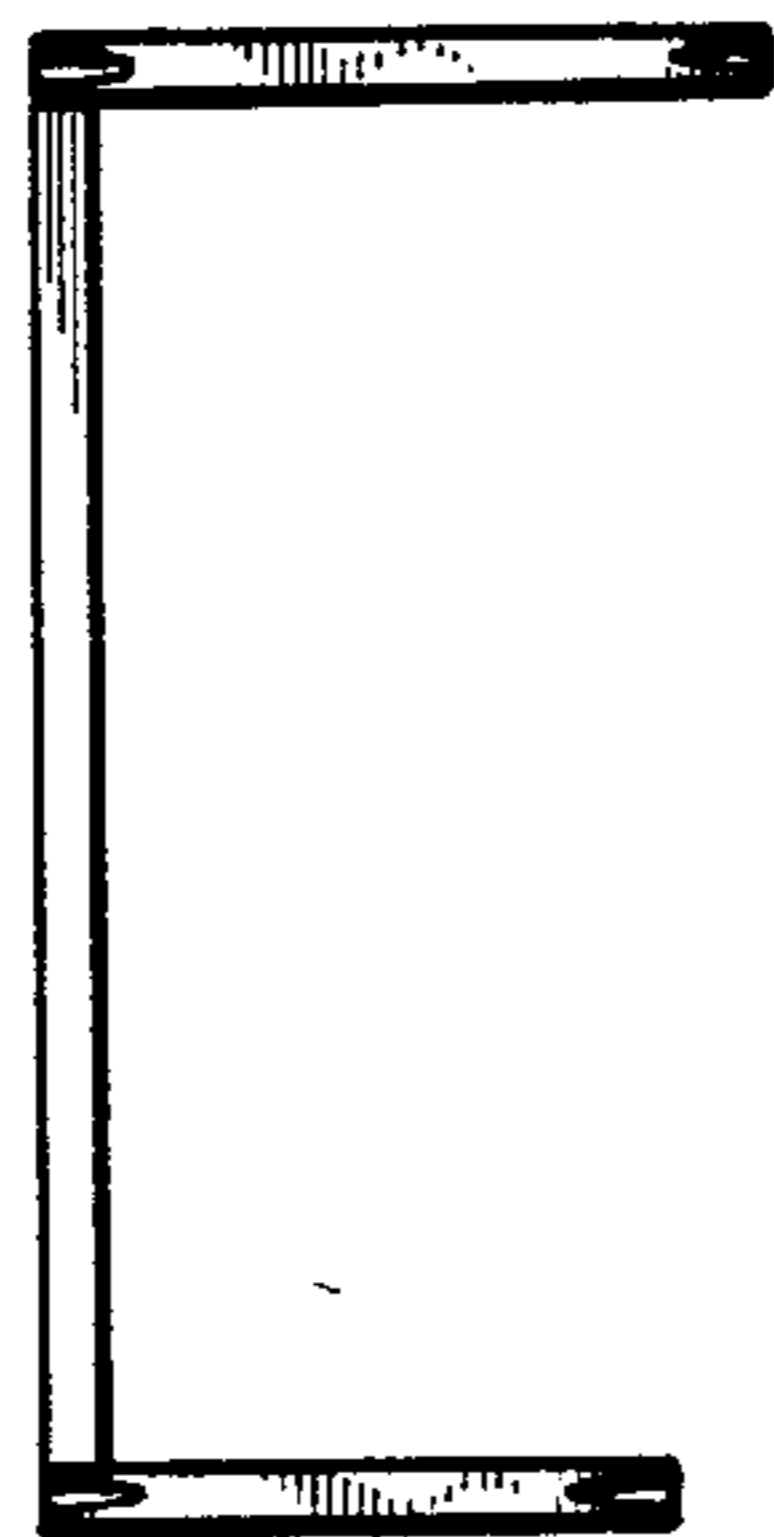


FIG 4

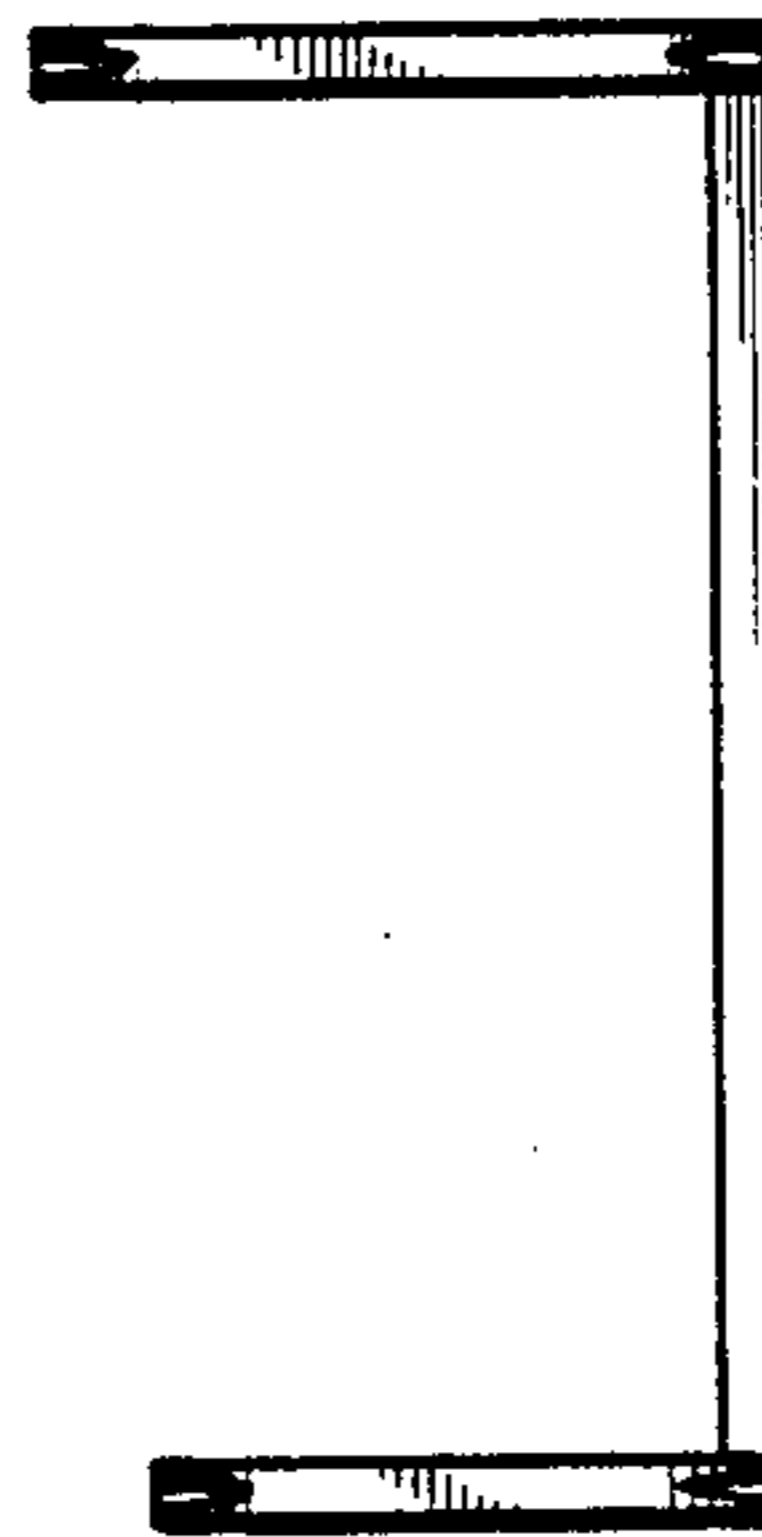


FIG 5

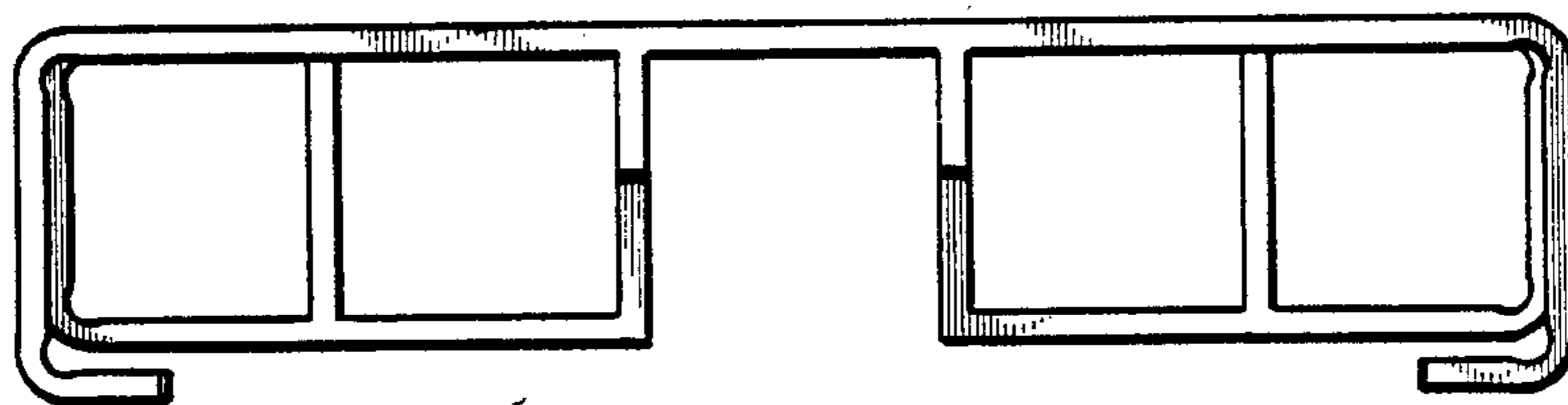


FIG 6

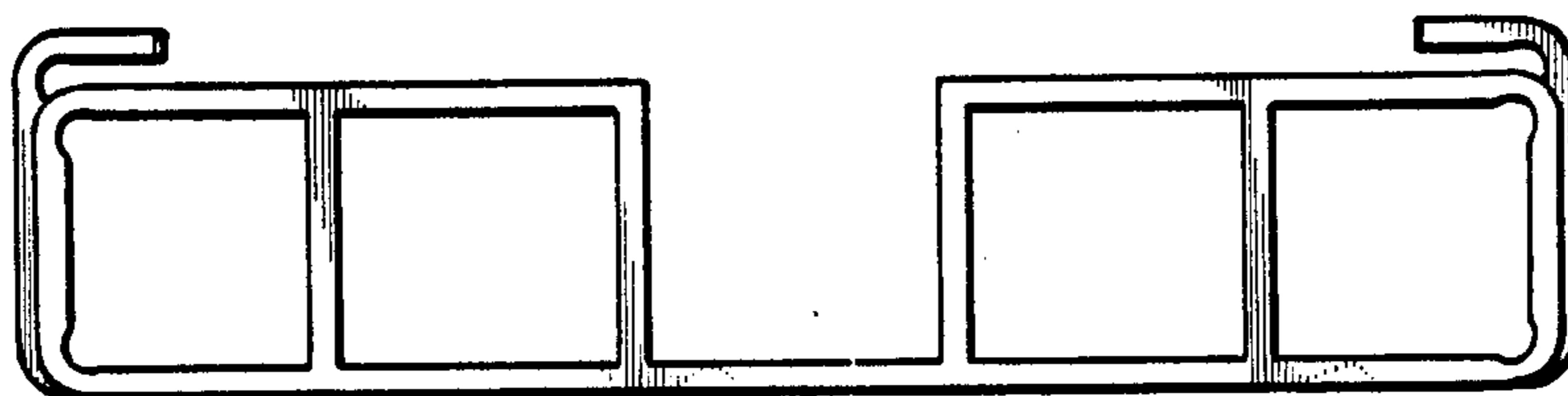


FIG 7