

[54] BABY CARRIAGE

4,762,335 8/1988 Kassai D12/129

[75] Inventor: Kenzou Kassai, Osaka, Japan

FOREIGN PATENT DOCUMENTS

[73] Assignee: Aprica Kassai Kabushikikaisha, Osaka, Japan

239367 9/1987 European Pat. Off. 280/642

[**] Term: 14 Years

Primary Examiner—Wallace R. Burke

Assistant Examiner—Kay H. Chin

Attorney, Agent, or Firm—W. G. Fasse; D. H. Kane, Jr.

[21] Appl. No.: 41,323

[57] CLAIM

[22] Filed: Apr. 22, 1987

The ornamental design for a baby carriage, as shown and described.

[30] Foreign Application Priority Data

Nov. 26, 1986 [JP] Japan 61-46881

[52] U.S. Cl. D12/129

[58] Field of Search D12/129, 128; 280/642, 280/644, 647, 650, 658, 42, 47.38; 297/45, 39

DESCRIPTION

FIG. 1 is a front elevational view of a baby carriage showing my new design;

FIG. 2 is a rear elevational view thereof;

FIG. 3 is a top plan view thereof;

FIG. 4 is a bottom plan view thereof;

FIG. 5 is a left side perspective view thereof;

FIG. 6 is a right side perspective view thereof;

FIG. 7 is a front perspective view thereof; and

FIG. 8 is a front perspective view thereof in a folded condition.

[56] References Cited

U.S. PATENT DOCUMENTS

D. 288,678 3/1987 Jane D12/129

D. 298,815 12/1988 Kassai D12/129

3,995,882 12/1976 Watkins 280/42

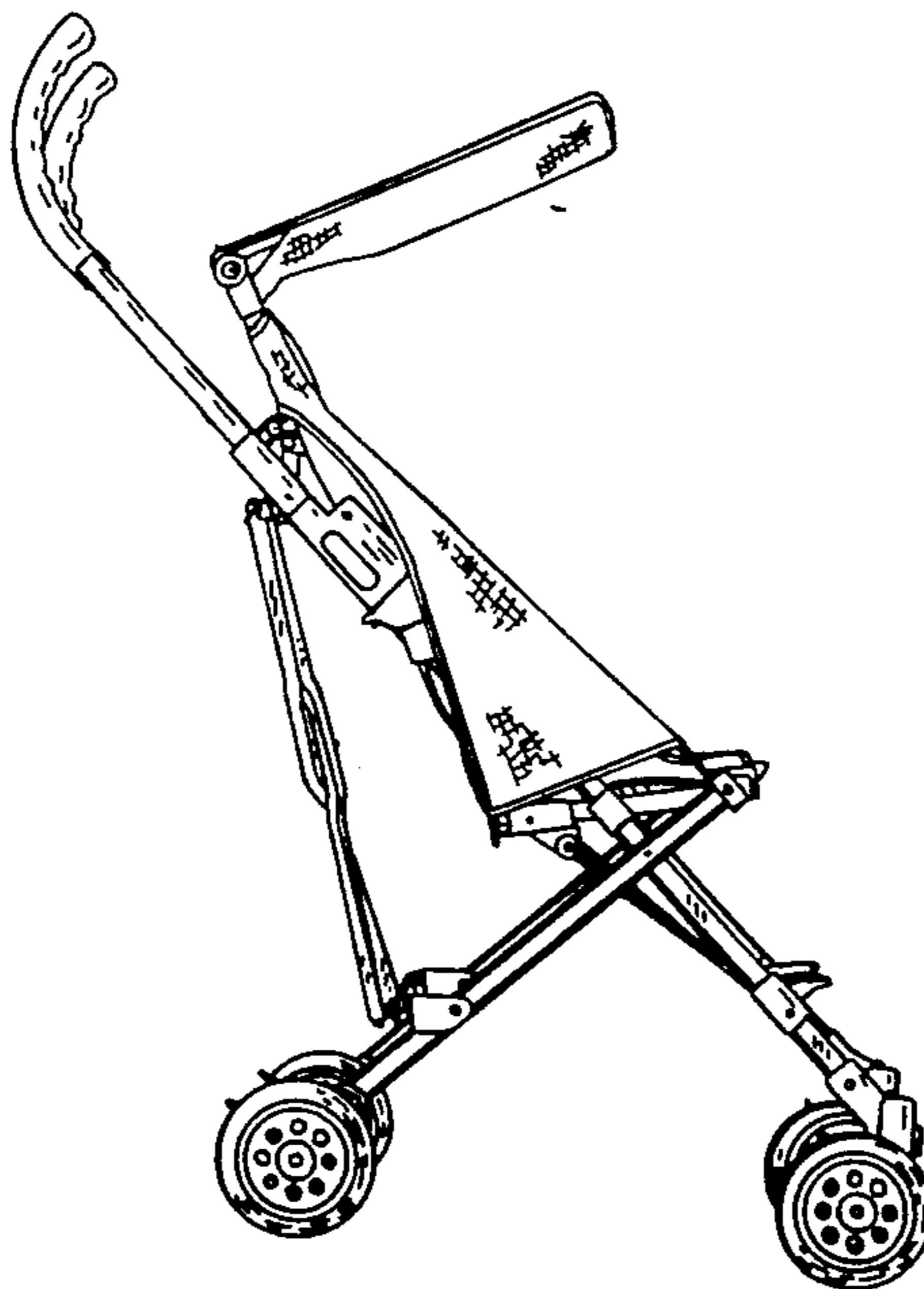


FIG. 1

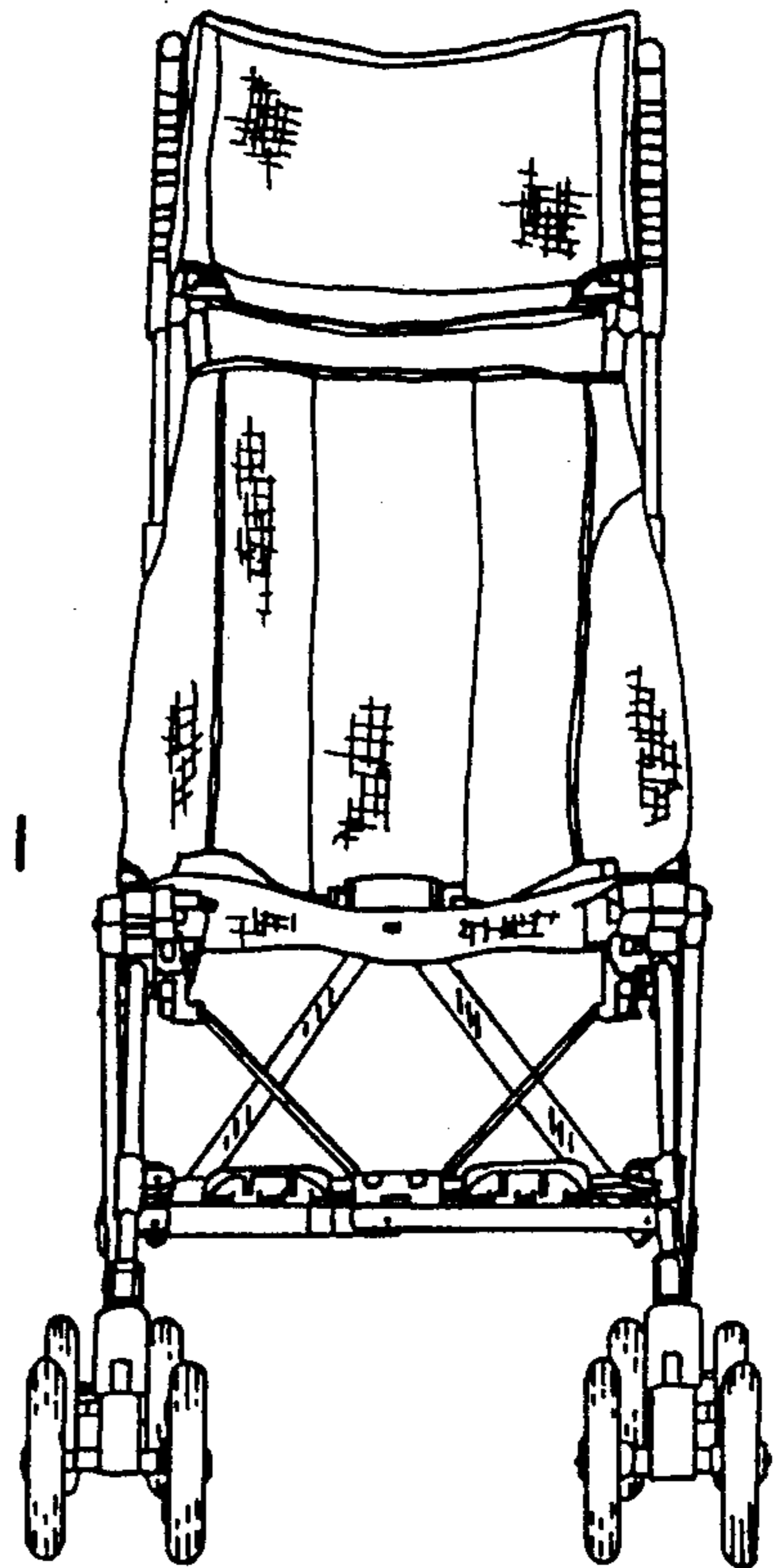
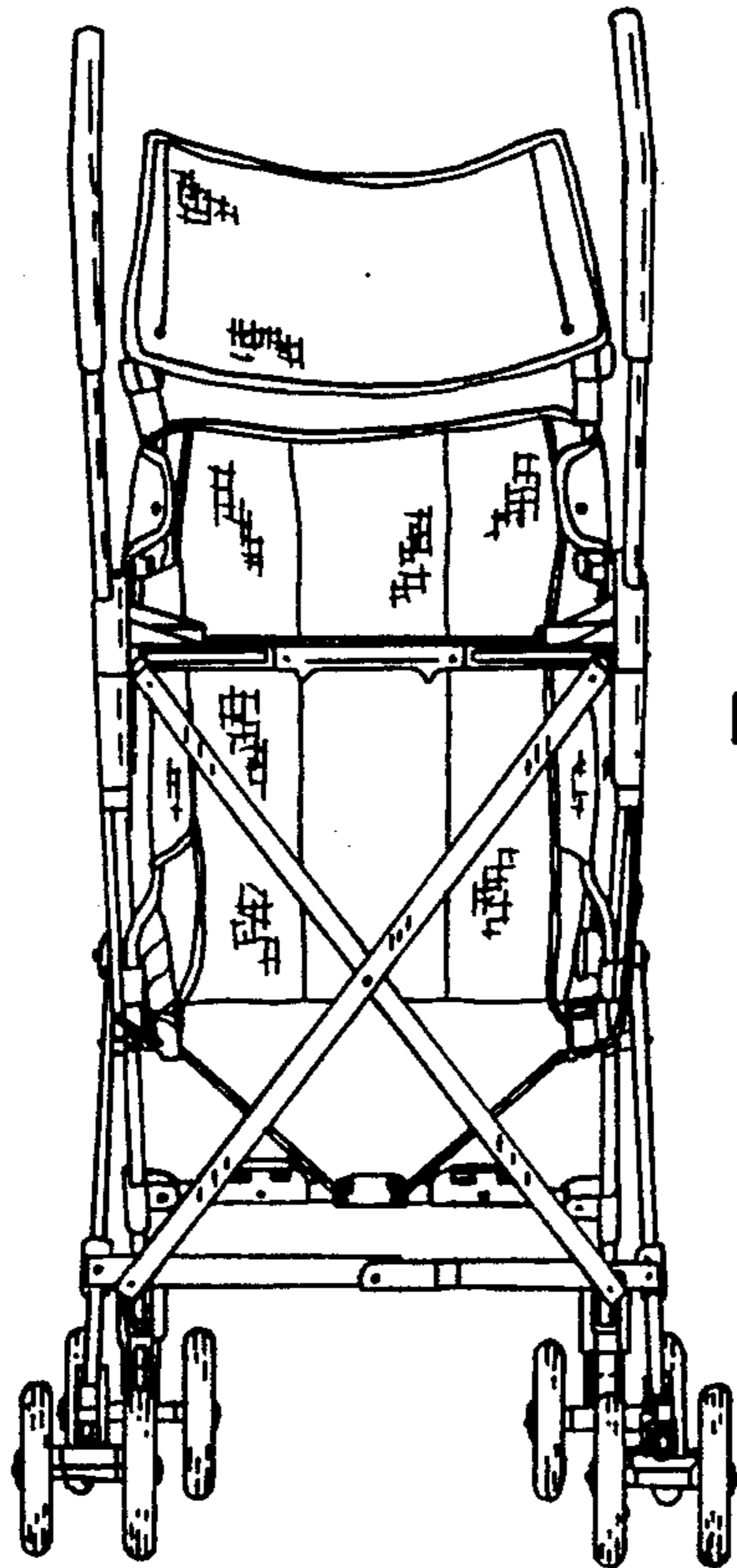


FIG. 2



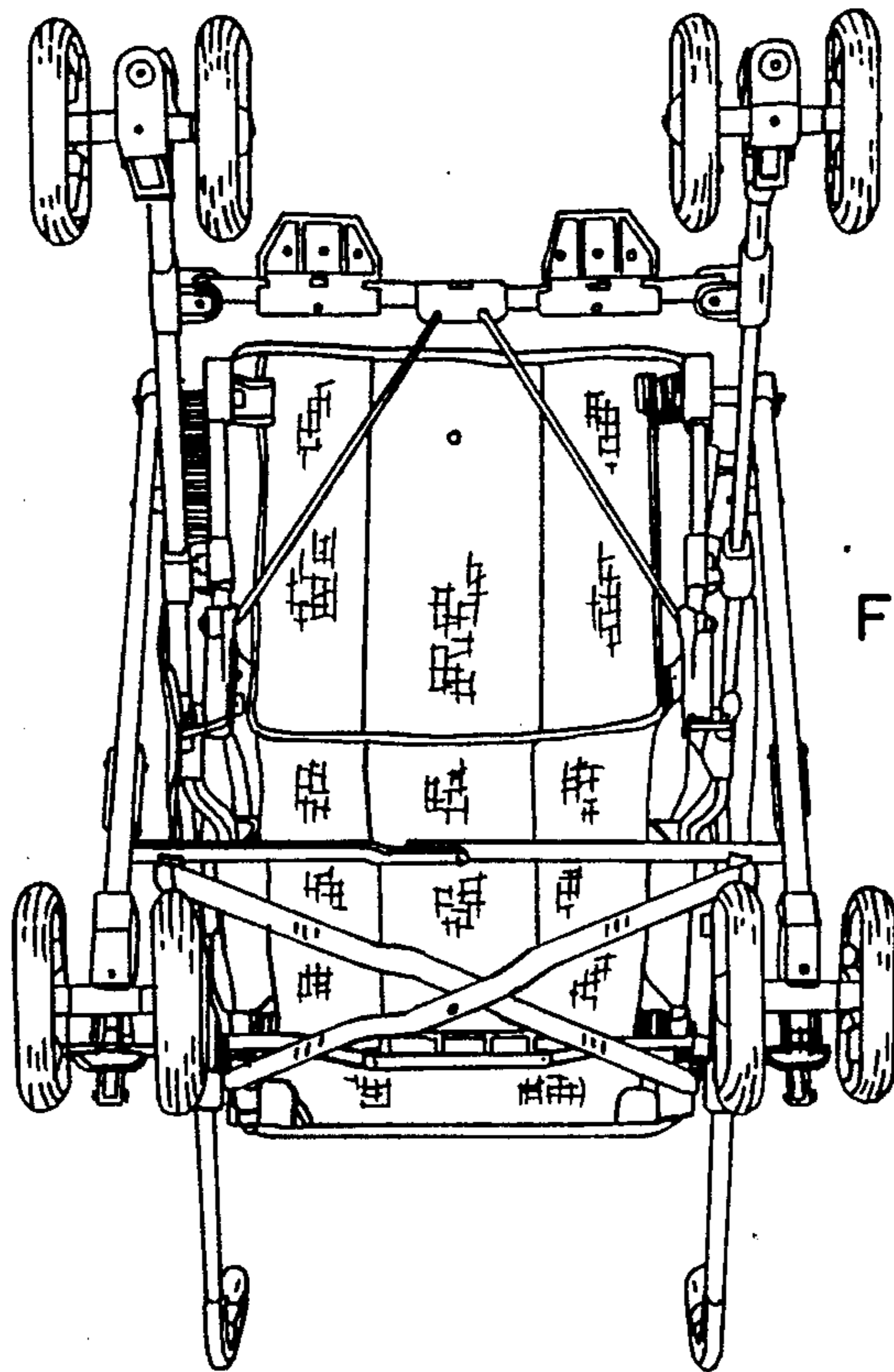


FIG. 4

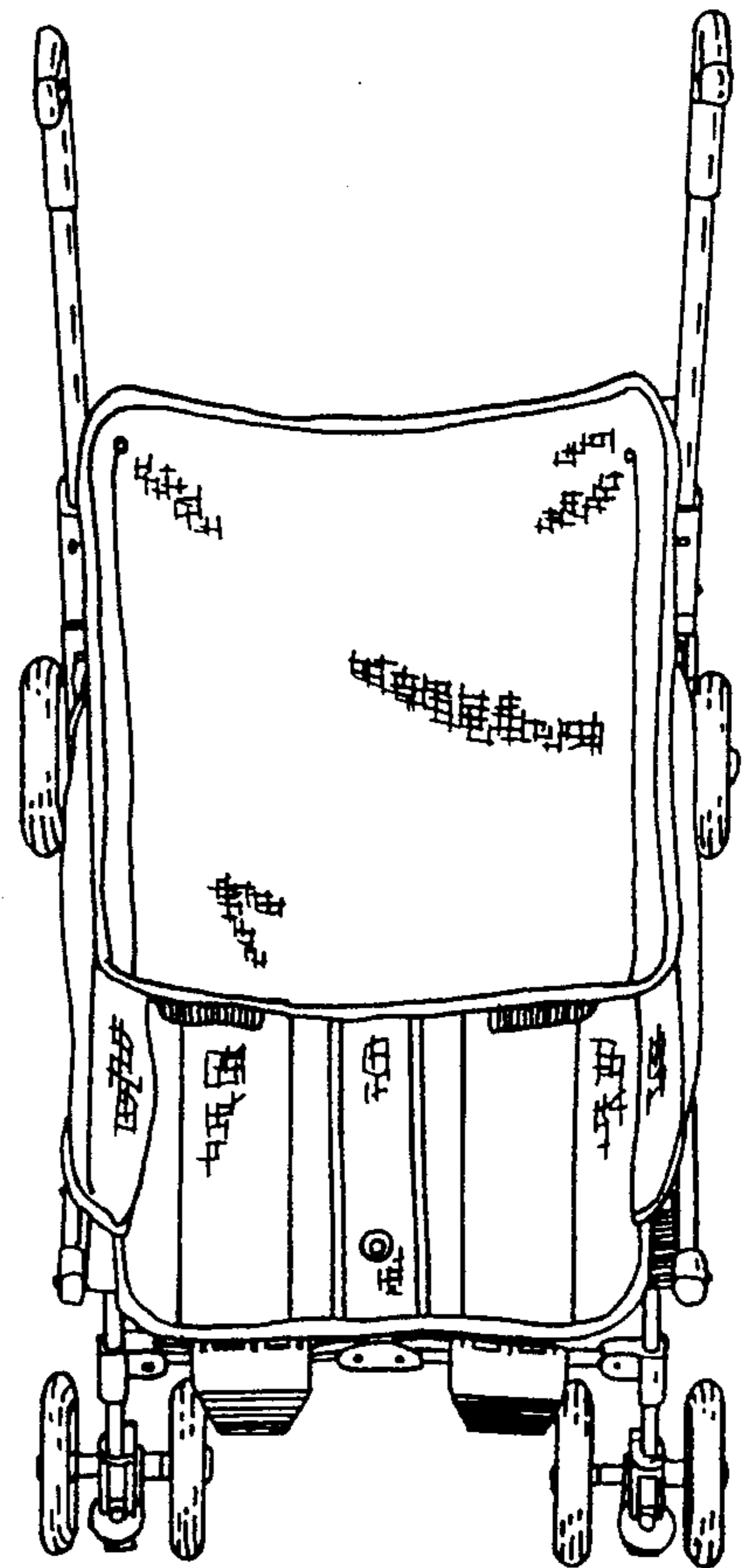


FIG. 3

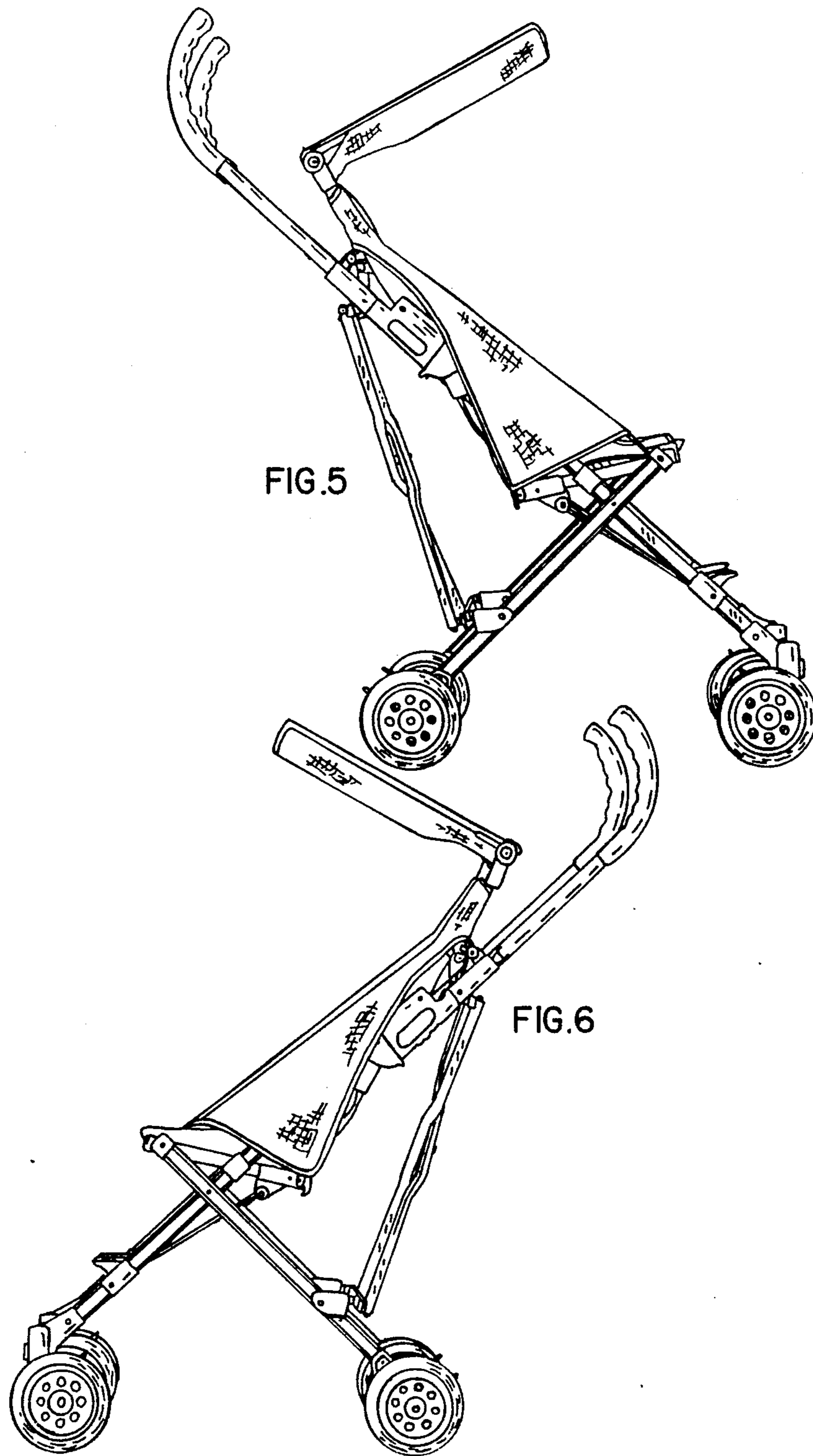


FIG. 5

FIG. 6

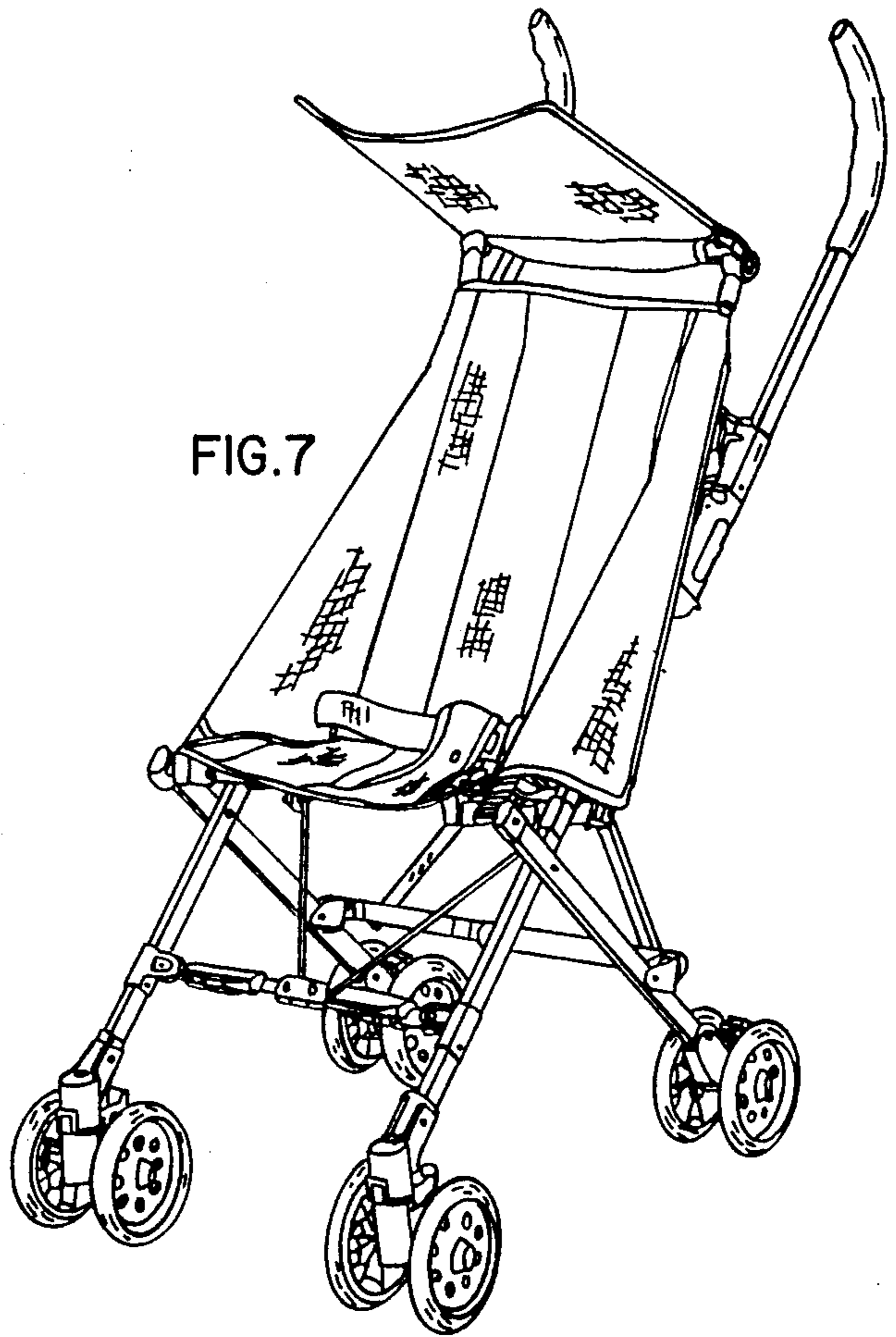


FIG. 7

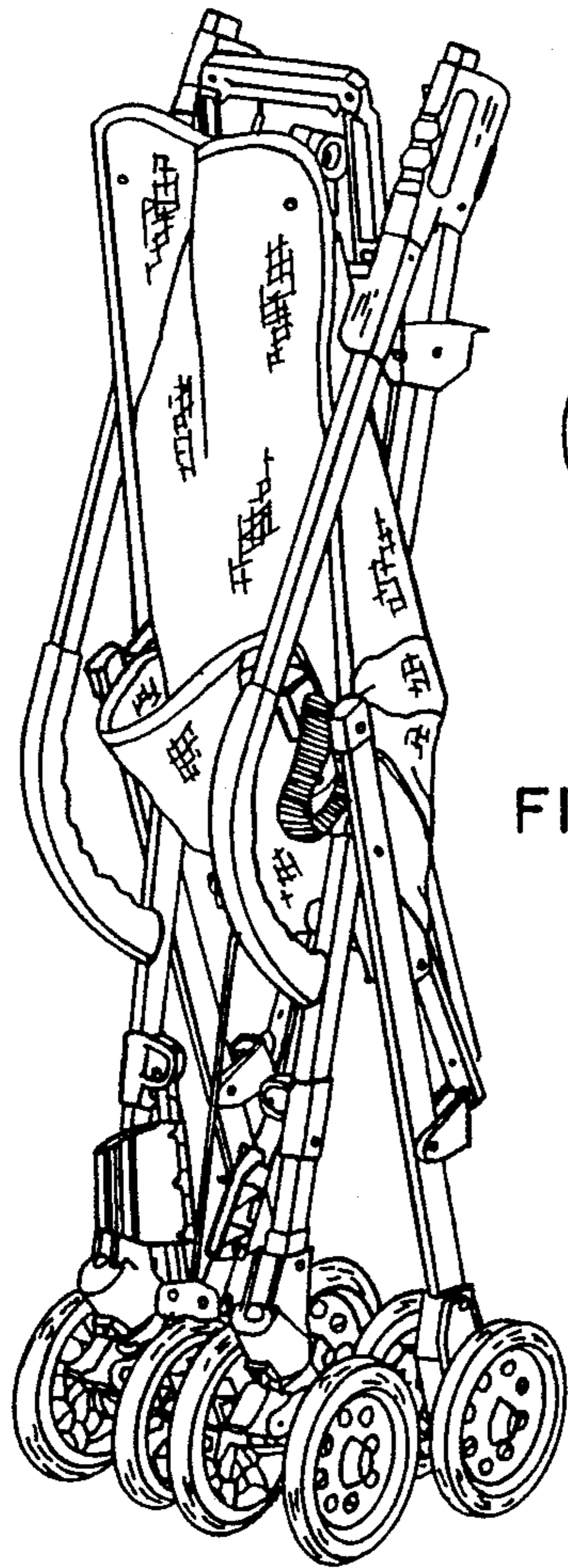


FIG. 8