

[54] CURRENT PROBE

[76] Inventor: Daniel Arnoux, 10 Rue d'Alsace, St. Germain en Lave, France, 78100

[**] Term: 14 Years

[21] Appl. No.: 3,922

[22] Filed: Jan. 16, 1987

[52] U.S. Cl. D10/79

[58] Field of Search D10/75, 77, 79; 324/117 R, 127 R, 149, 158P

[56] References Cited

U.S. PATENT DOCUMENTS

D. 242,991	1/1977	McKenzie et al.	D10/79
D. 288,301	2/1987	Arnoux et al.	D10/79
D. 300,307	3/1989	Arnoux et al.	D10/79
4,825,154	4/1989	Cross et al.	324/149 X

Primary Examiner—Nelson C. Holtje
Assistant Examiner—Antoine D. Davis
Attorney, Agent, or Firm—Wolf, Greenfield & Sacks

[57] CLAIM

The ornamental design for a current probe, as shown and described.

DESCRIPTION

FIG. 1 is a top, front, and right side perspective view of a current probe showing my new design, with the cord member being eliminated for ease of illustration;

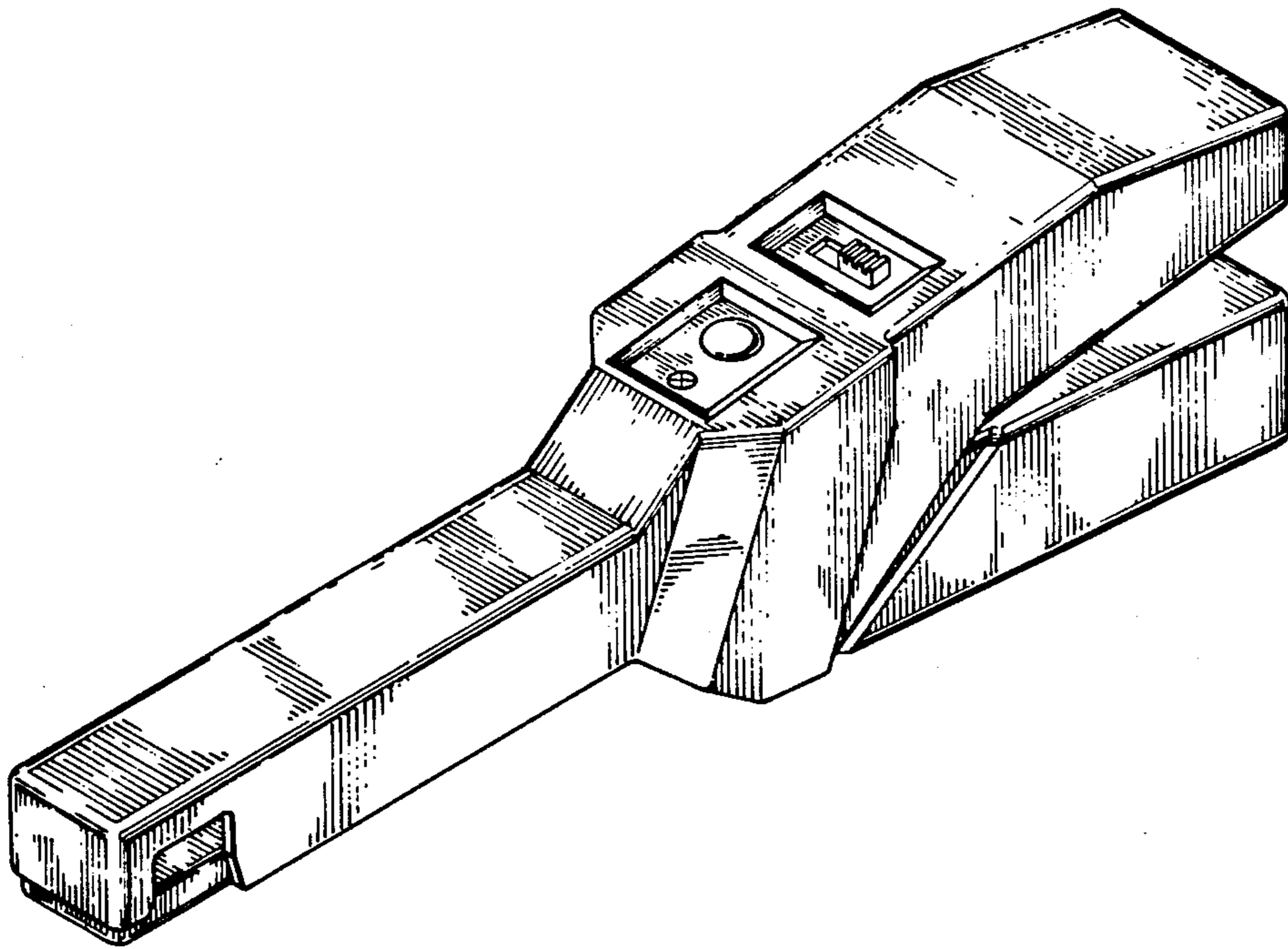
FIG. 2 is a top plan view of the device.

FIG. 3 is an elevational view of the device, as seen from the right side of FIG. 1, the device having been rotated 180° about its longest axis. The view of the other side of the device is a mirror image.

FIG. 4 is a bottom plan view;

FIG. 5 is a front elevational view; and

FIG. 6 is a rear elevational view thereof.



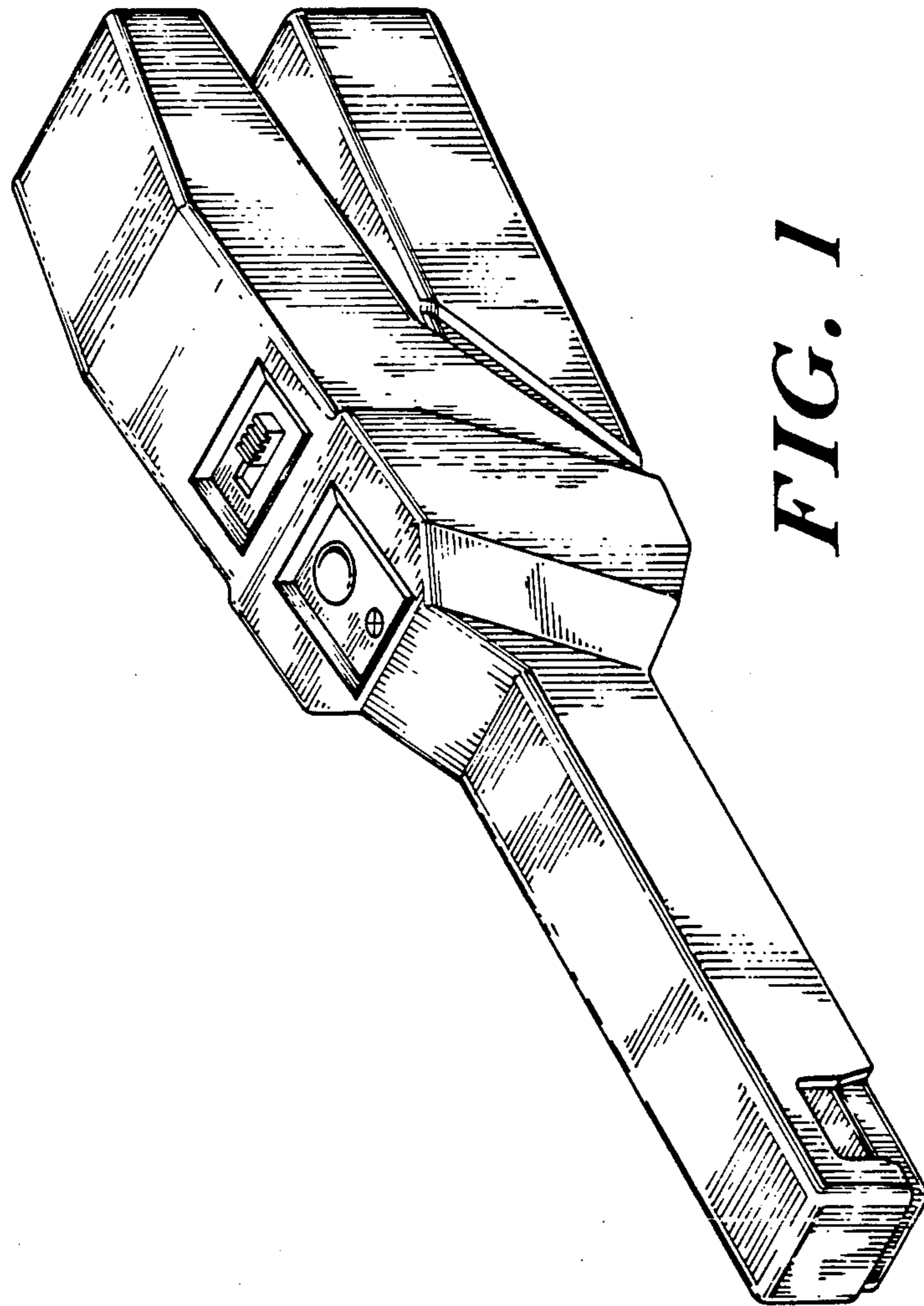


FIG. 1

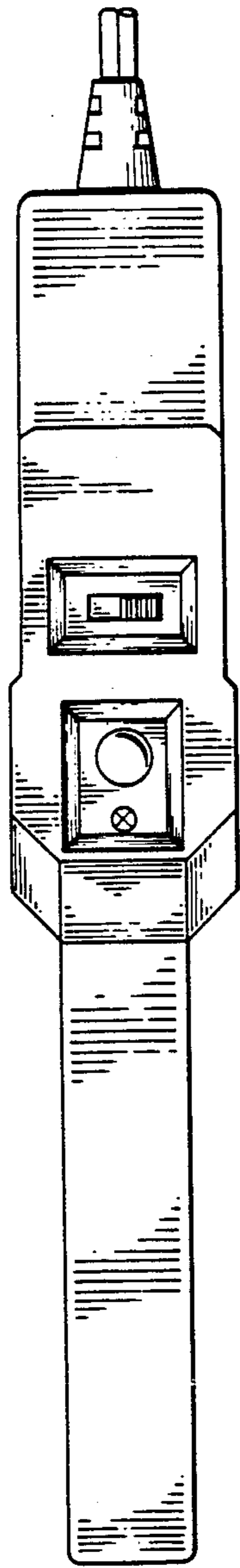


FIG. 2

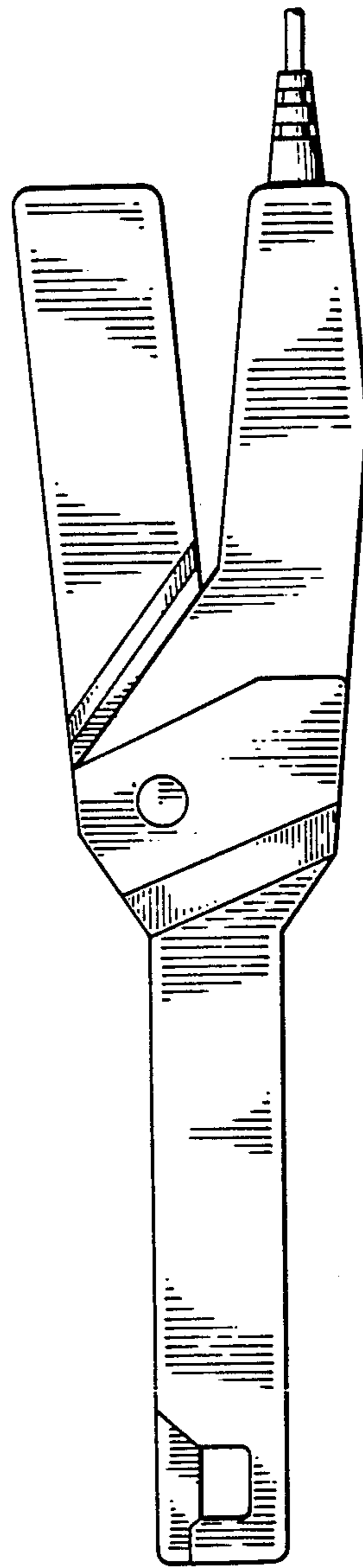


FIG. 3

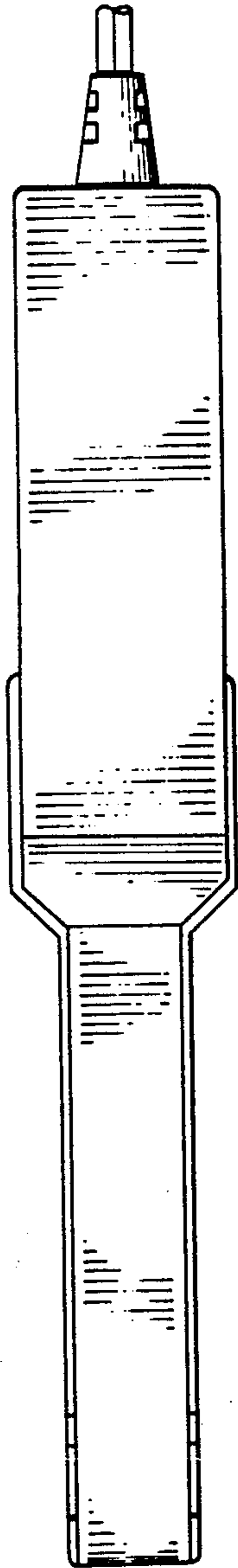


FIG. 4

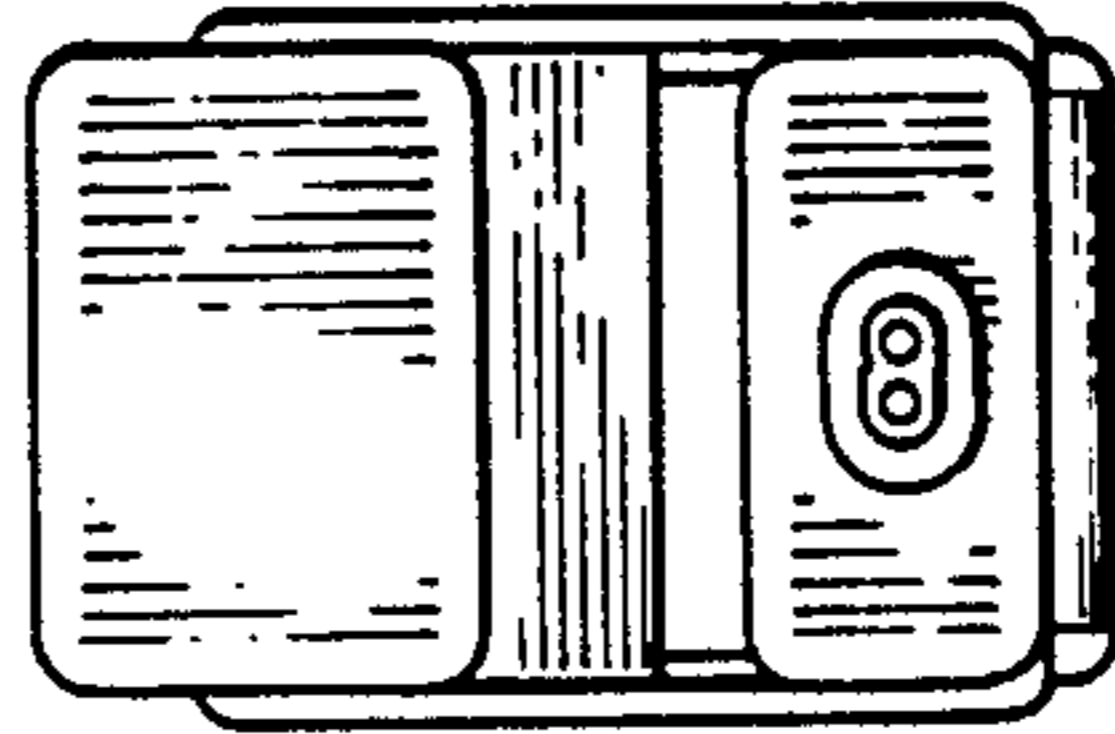


FIG. 6

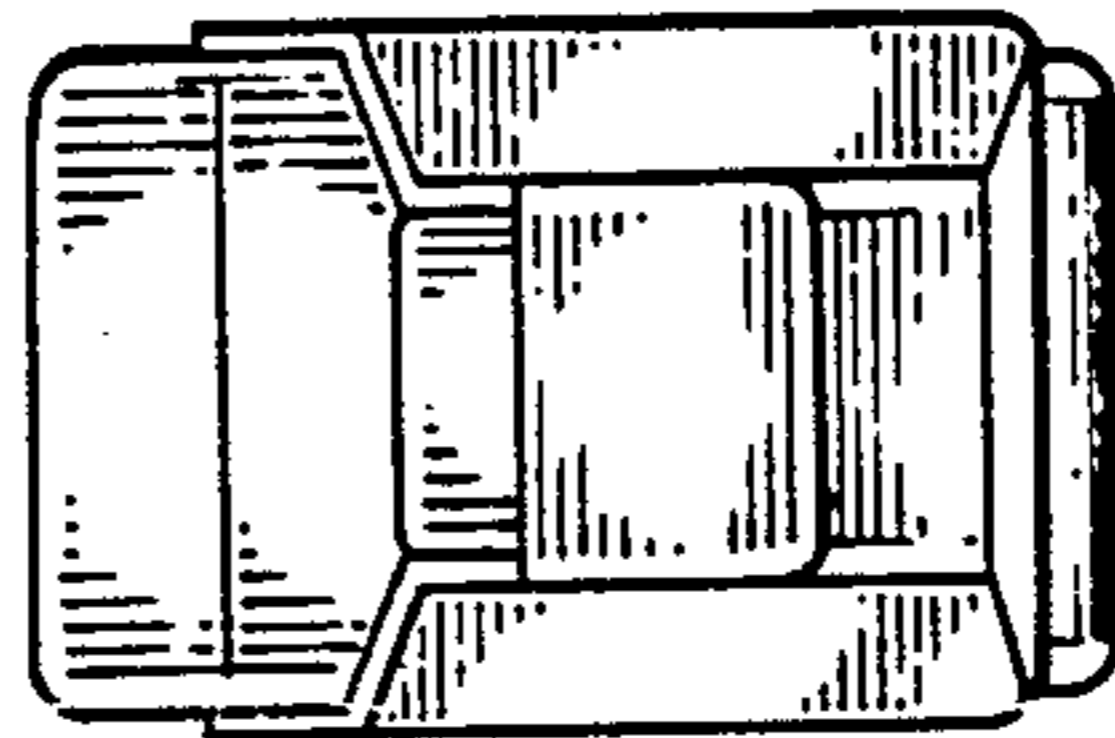


FIG. 5