

[54] CABLE CLAMP

[76] Inventor: Carl H. Baker, P.O. Box 2127, Mackenzie, British Columbia, Canada

[\*\*] Term: 14 Years

[21] Appl. No.: 774,742

[22] Filed: Sep. 11, 1985

[30] Foreign Application Priority Data

Mar. 11, 1985 [CA] Canada ..... 55781

[52] U.S. Cl. .... D8/396; D8/394

[58] Field of Search ..... D8/394-396; D13/13, 24; 24/115 M, 136 R

[56] References Cited

U.S. PATENT DOCUMENTS

- 1,437,230 11/1922 Dolph et al. .... 24/136 R
- 1,815,386 7/1931 Willard ..... 24/136 R
- 2,849,772 9/1958 Bukowski ..... 24/115 M

FOREIGN PATENT DOCUMENTS

- 0147265 7/1952 Australia ..... 24/136 R
- 1158422 12/1983 Canada ..... 24/136 R
- 0995388 6/1965 United Kingdom ..... 24/115 M

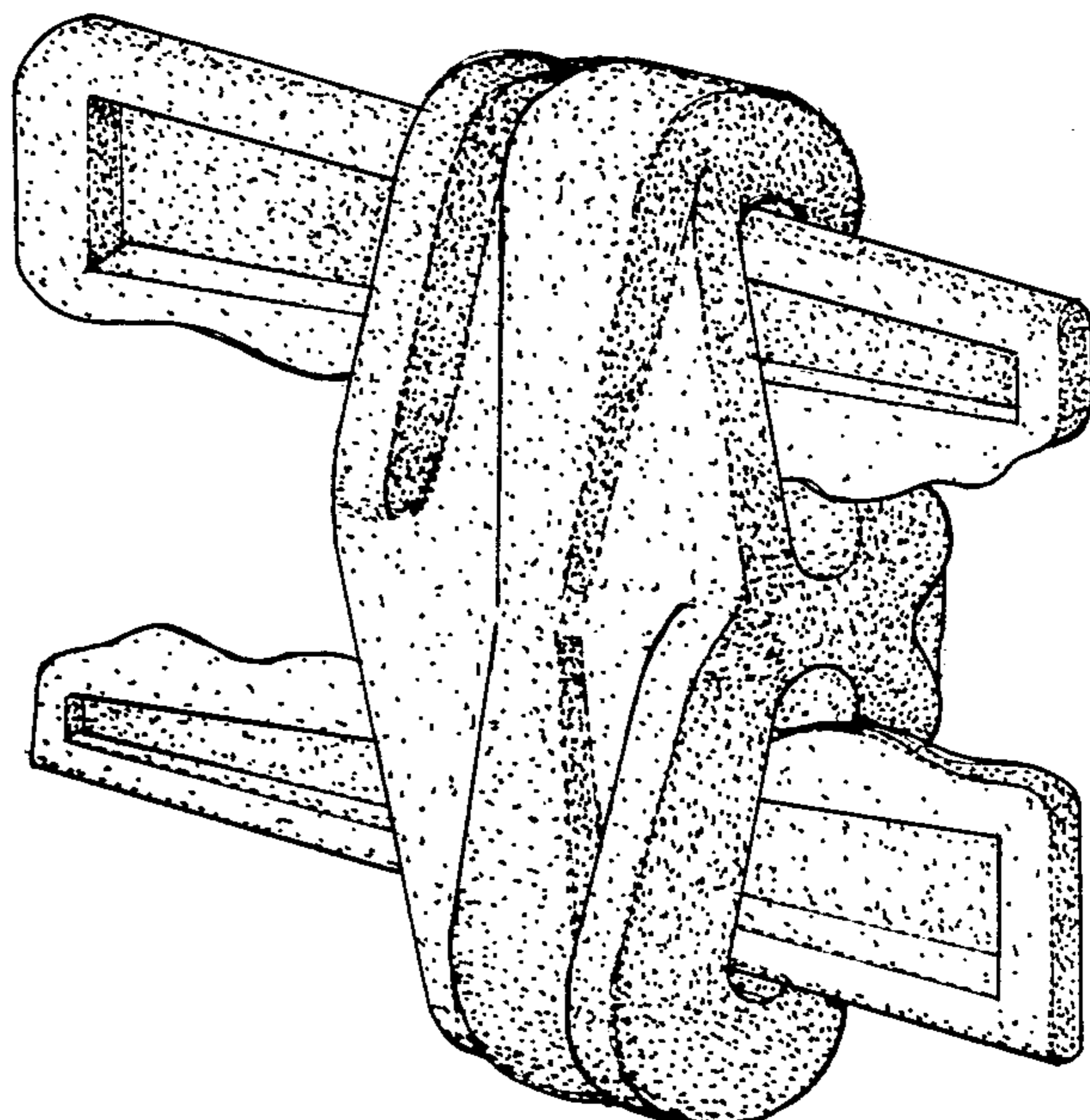
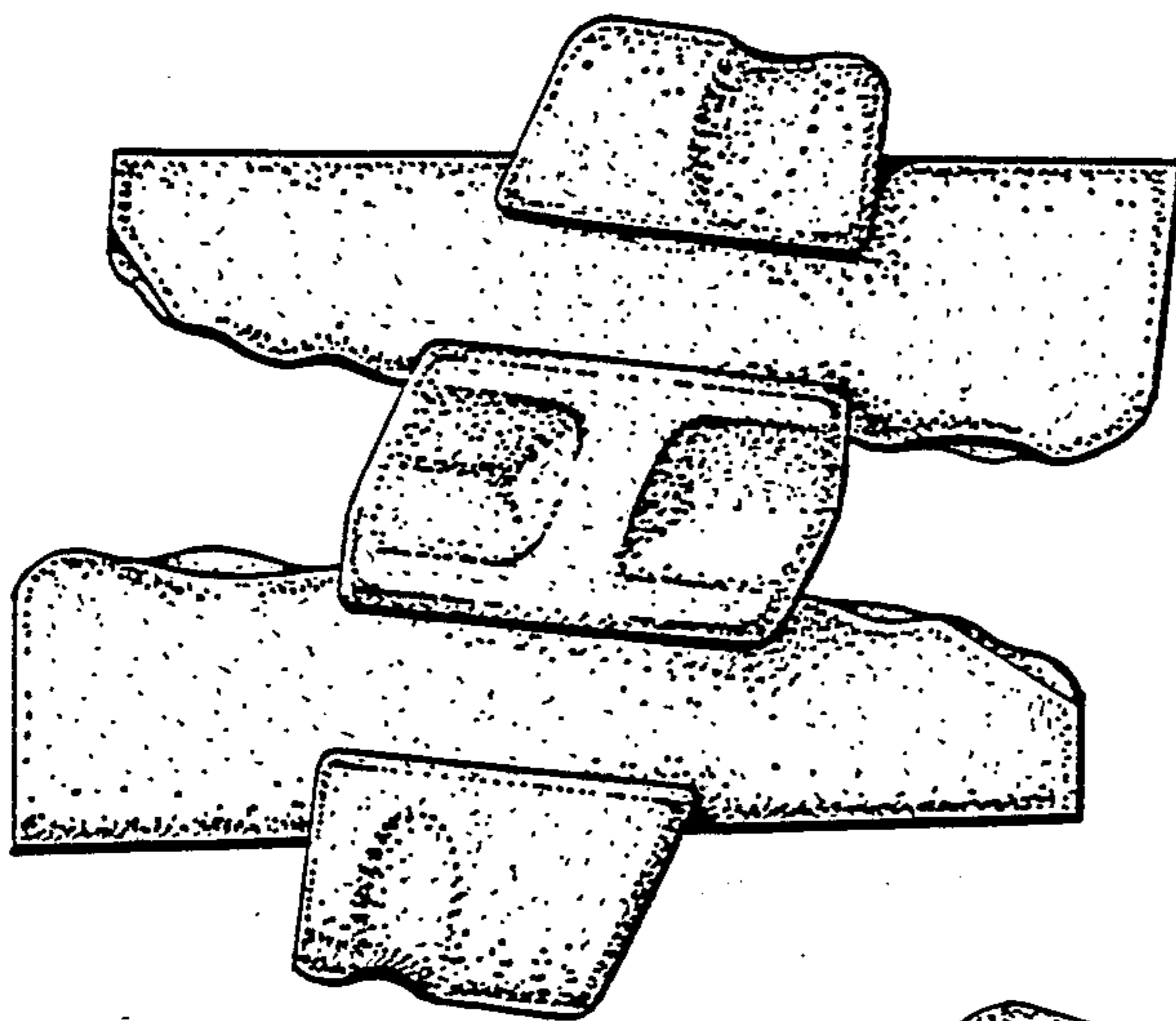
Primary Examiner—B. J. Bullock  
Attorney, Agent, or Firm—Birch, Stewart, Kolasch & Birch

[57] CLAIM

The ornamental design for a cable clamp, as shown.

DESCRIPTION

- FIG. 1 is a front elevational view of a cable clamp showing my new design;
- FIG. 2 is a rear elevational view thereof;
- FIG. 3 is a left side view thereof;
- FIG. 4 is a right side view thereof;
- FIG. 5 is a bottom plan view thereof;
- FIG. 6 is a top plan view thereof;
- FIG. 7 is a front perspective view thereof.



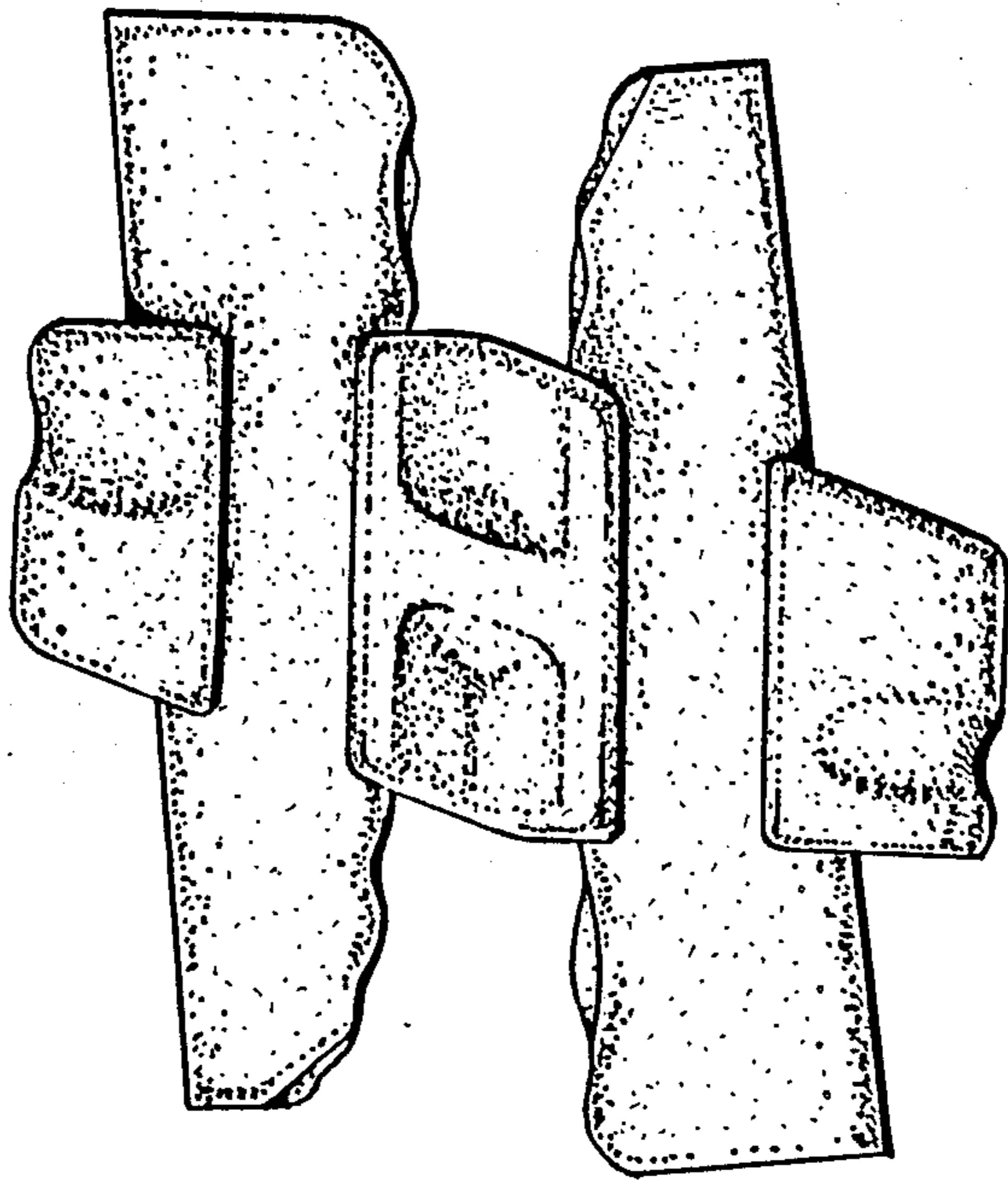


FIG. 2

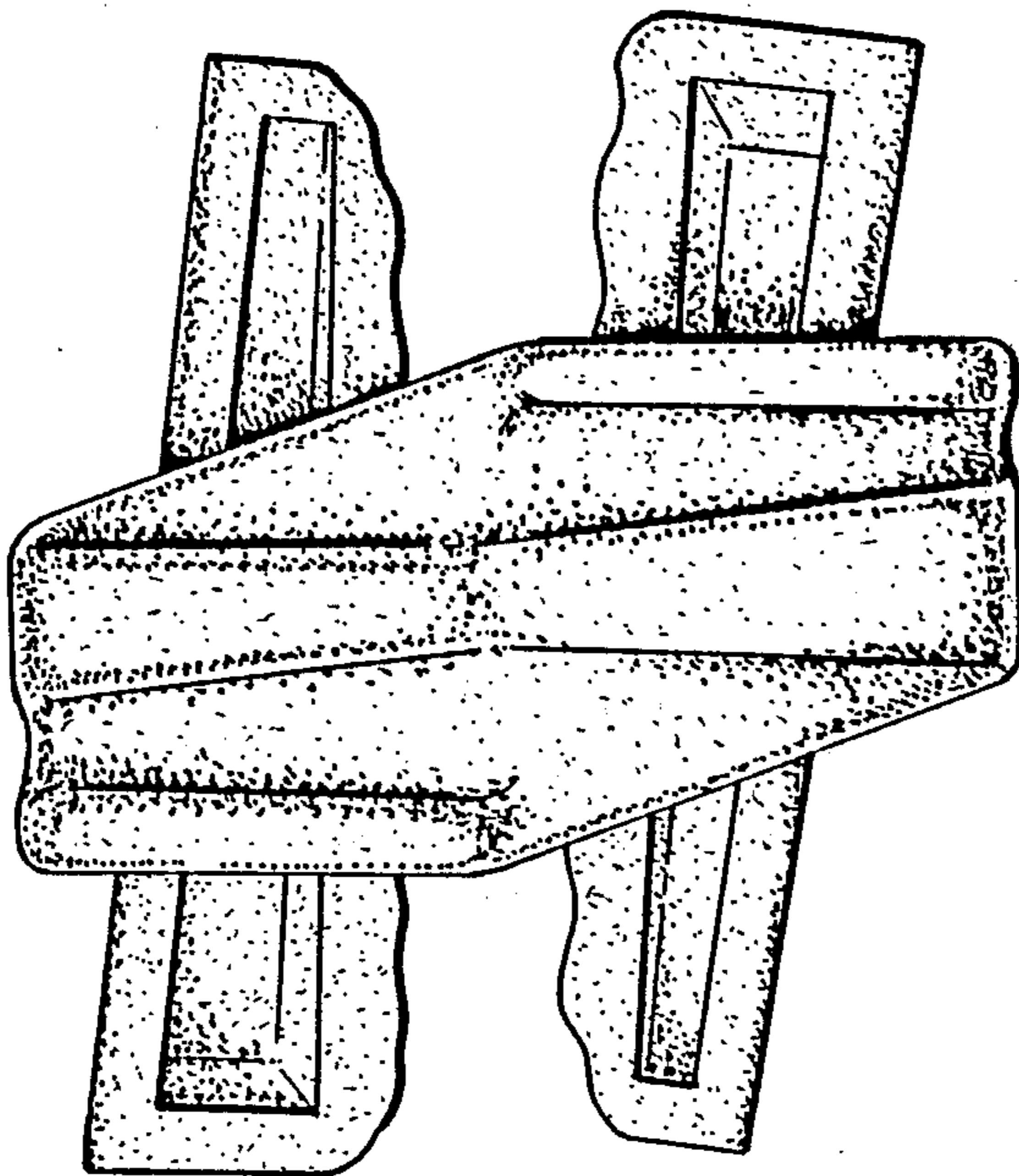


FIG. 1

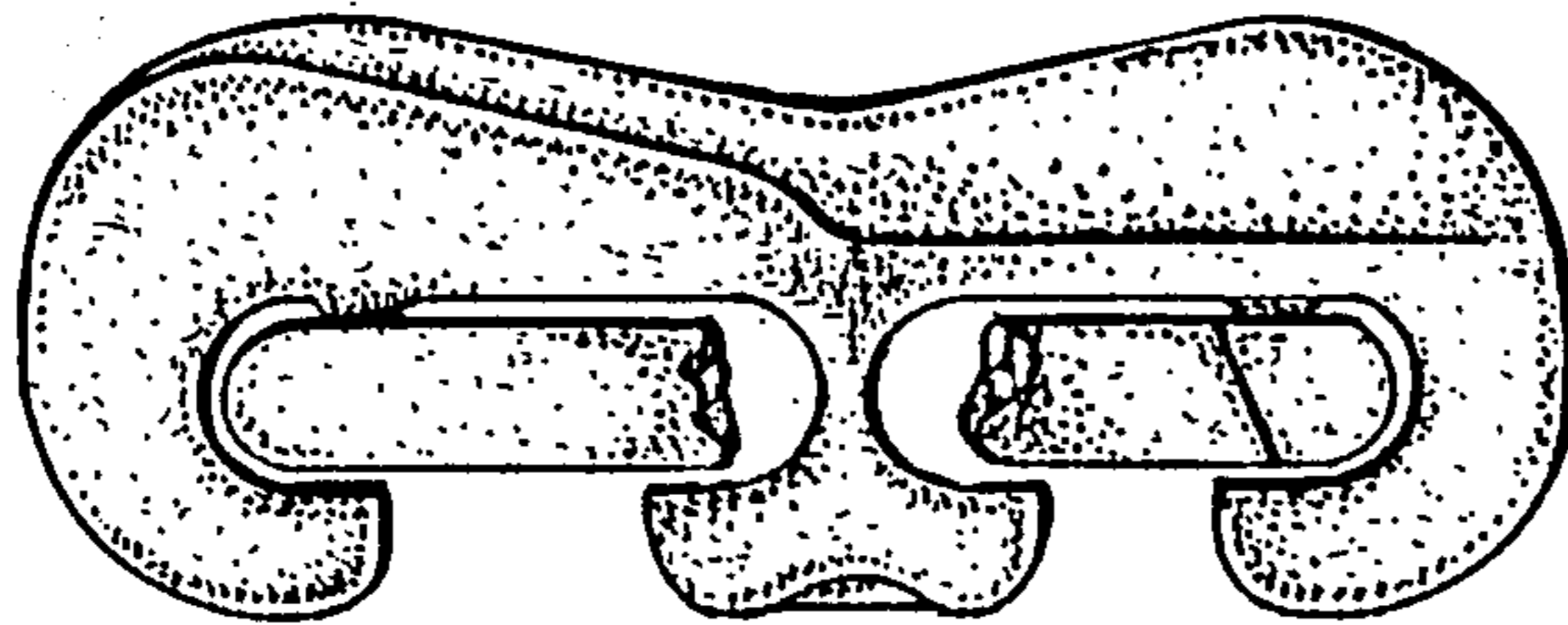


FIG. 3

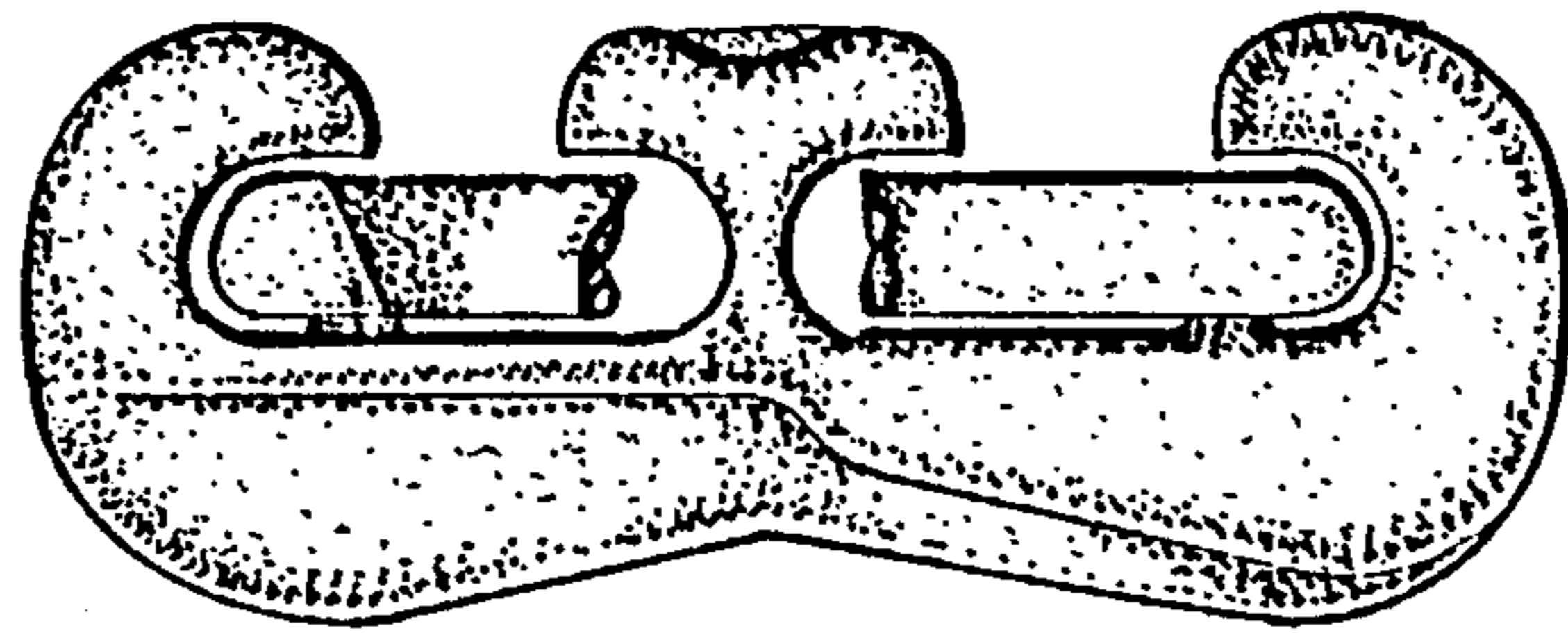


FIG. 4

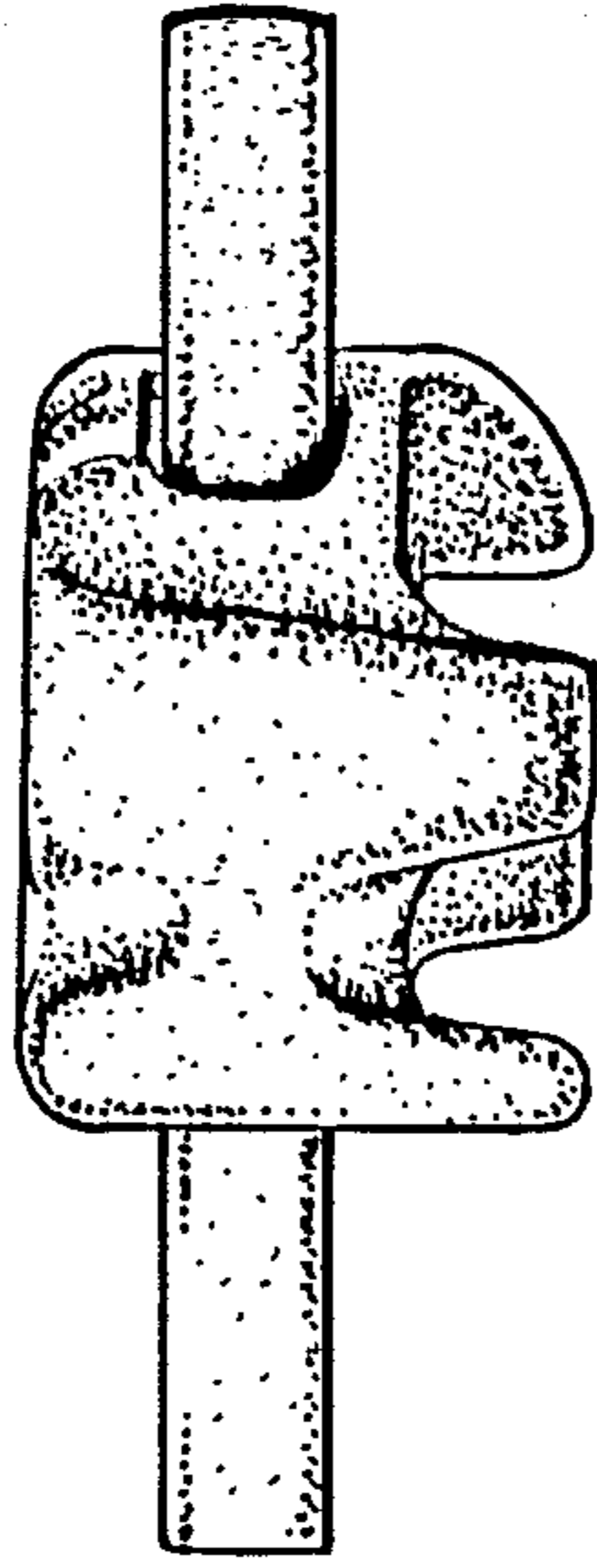


FIG. 5

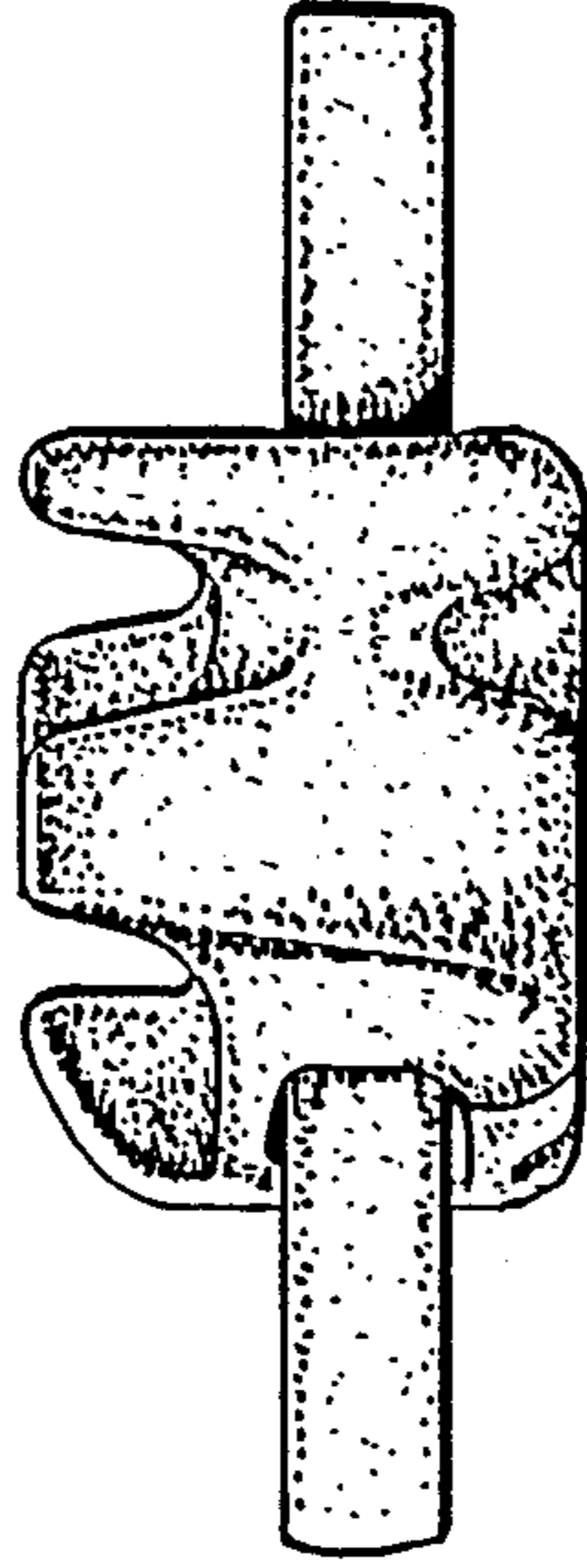


FIG. 6

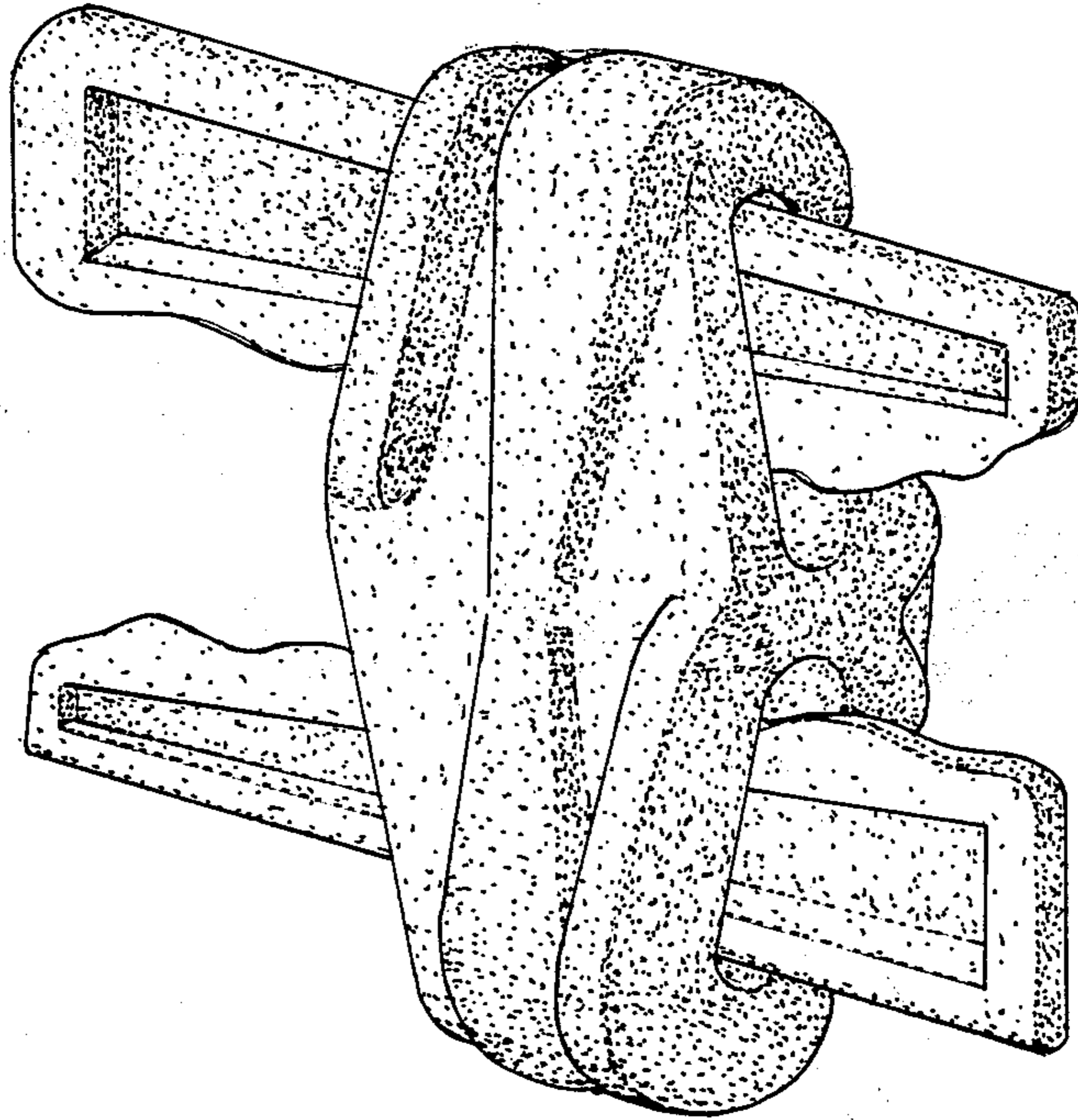


FIG. 7