

[54] CARGO STRAP WINDER

[76] Inventor: Steve Topping, 2362 W. Euclid Ave., Stockton, Calif. 95204

[**] Term: 14 Years

[21] Appl. No.: 1,512

[22] Filed: Jan. 2, 1987

[52] U.S. Cl. D8/359

[58] Field of Search D8/359; 242/106, 86, 242/60, 67

537,507 4/1895 Waldron 242/60

831,727 9/1906 Long 242/60

1,199,790 10/1916 Holcomb 242/67

1,422,954 7/1922 Frazer 242/106

1,470,373 10/1923 Barrier 242/106

2,805,100 9/1957 Shaver 242/106

3,946,964 3/1976 Zinser 242/86

3,998,402 12/1976 Christensen 242/106

4,592,519 6/1986 Peacock 242/86

FOREIGN PATENT DOCUMENTS

73147 3/1916 Switzerland 242/60

14208 of 1913 United Kingdom 242/60

[56] References Cited

U.S. PATENT DOCUMENTS

D. 212,336 10/1968 Kircher D8/354

D. 225,723 1/1973 Hallowell D8/359

D. 237,141 10/1975 Christen D8/359

D. 241,707 10/1976 Robling D8/359

D. 251,656 4/1979 McClure D8/359

D. 260,754 9/1981 Gunnels D34/33

D. 273,559 4/1984 Butler D8/359

D. 295,949 5/1988 Ferrell D8/359

277,231 5/1883 Clark 242/60

321,521 7/1885 Olmsted 242/67

533,868 2/1895 Daly 242/106

Primary Examiner—Horace B. Fay, Jr.

Attorney, Agent, or Firm—Basil B. Travis

[57] CLAIM

The ornamental design for a cargo strap winder, as shown and described.

DESCRIPTION

FIG. 1 is a bracket associated front, top and left side perspective view of a cargo strap winder showing my new design;

FIG. 2 is a bracket associated front, bottom and right side perspective view thereof.

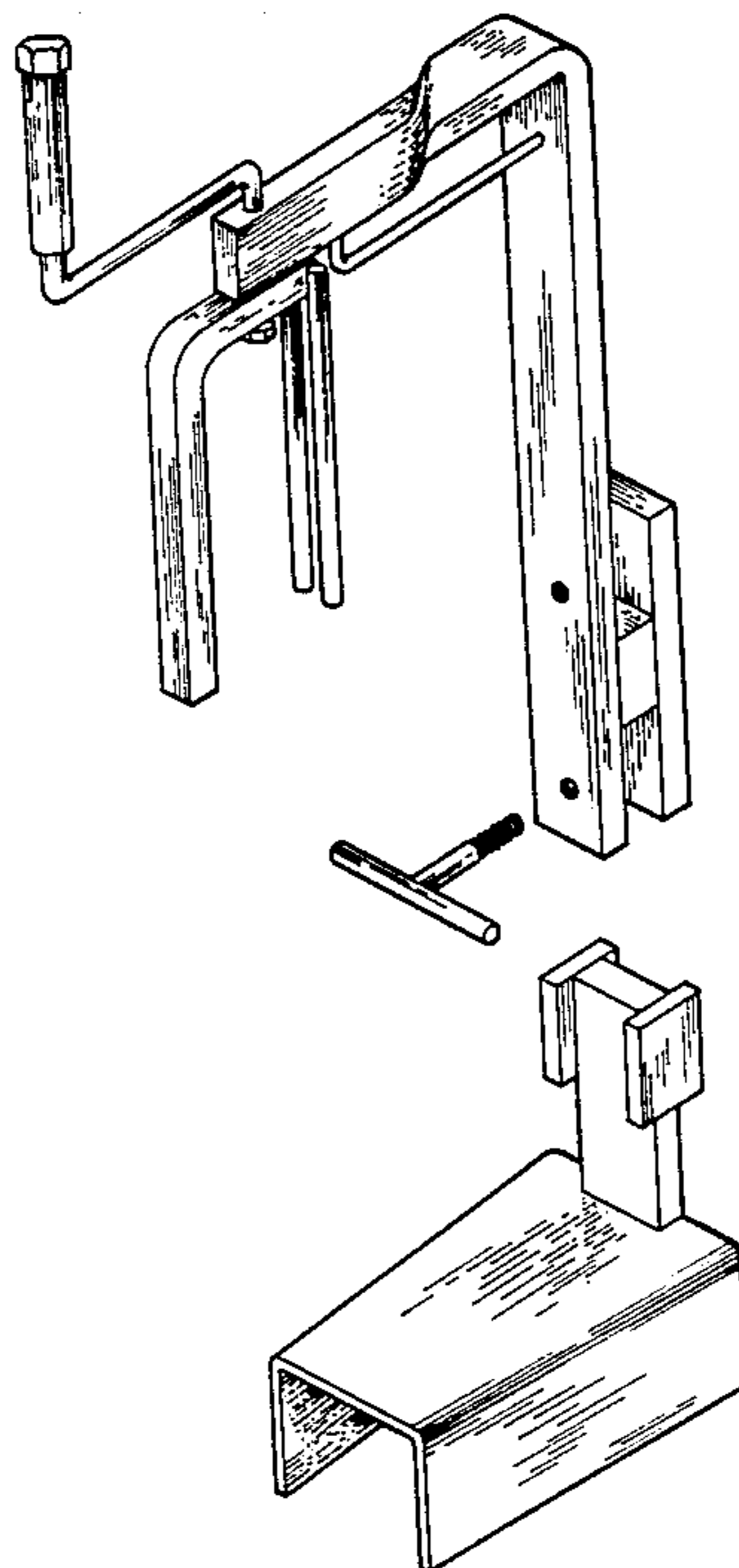


Fig. 1

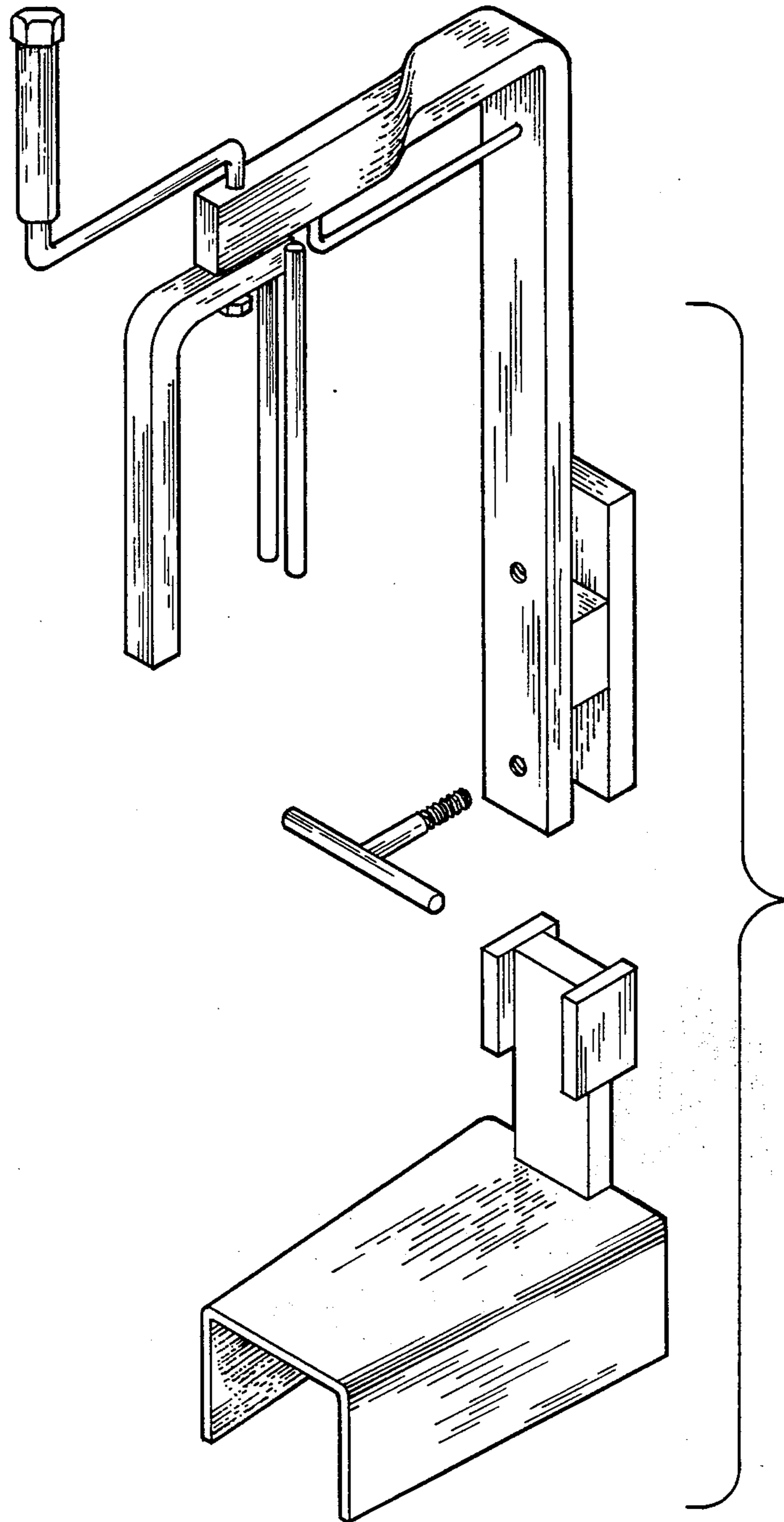


Fig. 2.

