

[54] LOCK FOR ZIPPERED LUGGAGE

[76] Inventor: Urs Gisiger, Gaensbruehlweg 4, 2545 Selzach, Switzerland

[\*\*] Term: 14 Years

[21] Appl. No.: 57,832

[22] Filed: Jun. 3, 1987

[52] U.S. Cl. .... D8/331

[58] Field of Search ..... D8/330-331, D8/339, 341; 24/381, 430, 434-436, 418-419; 70/68

[56] References Cited

U.S. PATENT DOCUMENTS

D. 291,652	9/1987	Gisiger	.....	D8/331
D. 293,075	12/1987	Gisiger	.....	D8/330
3,973,419	8/1976	Atkinson	.....	70/68
4,350,375	9/1982	Bako	.....	70/68 X
4,395,891	8/1983	Remington	.....	70/68

4,514,884	5/1985	Kaneko	.....	70/68 X
4,756,173	7/1988	Yang	.....	70/68

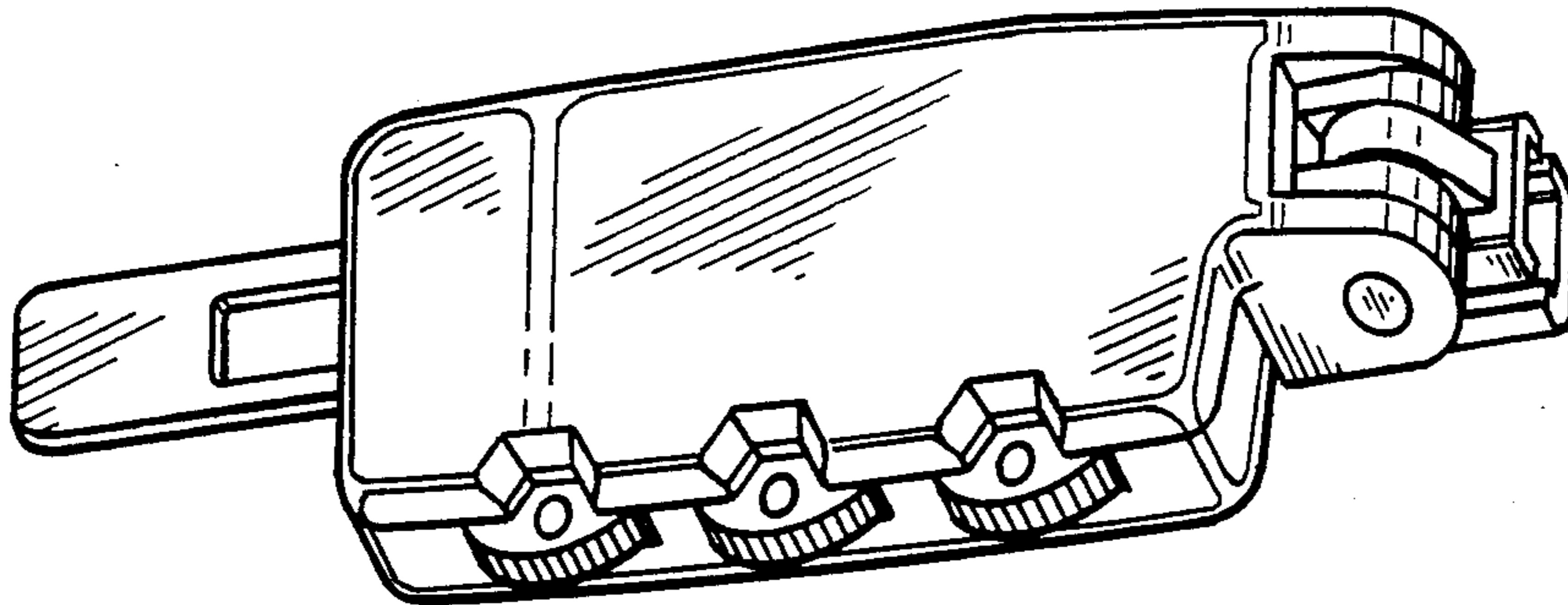
Primary Examiner—Wallace R. Burke  
Assistant Examiner—Brian N. Vinson  
Attorney, Agent, or Firm—Myron Amer

[57] CLAIM

The ornamental design for a lock for zippered luggage, as shown and described.

DESCRIPTION

FIG. 1 is a side elevational view of a lock for zippered luggage showing my new design, the lock body being shown rotated upward to expose the hasp element; FIG. 2 is a top plan view thereof; FIG. 3 is a bottom plan view of the lock body portion thereof, the hasp portion being omitted for clarity of illustration; FIG. 4 is an end elevational view thereof; and FIG. 5 is a top perspective view thereof.



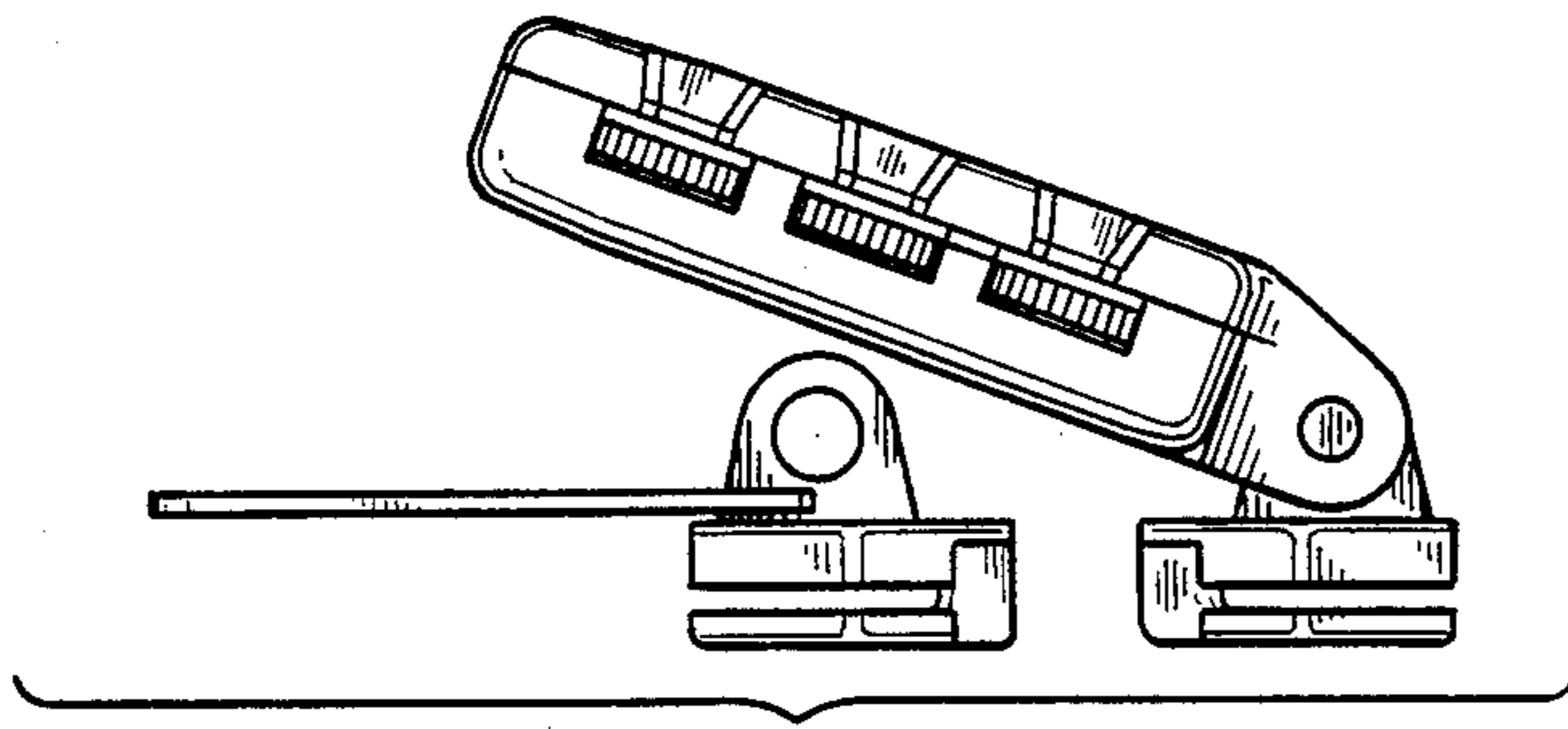


FIG. 1

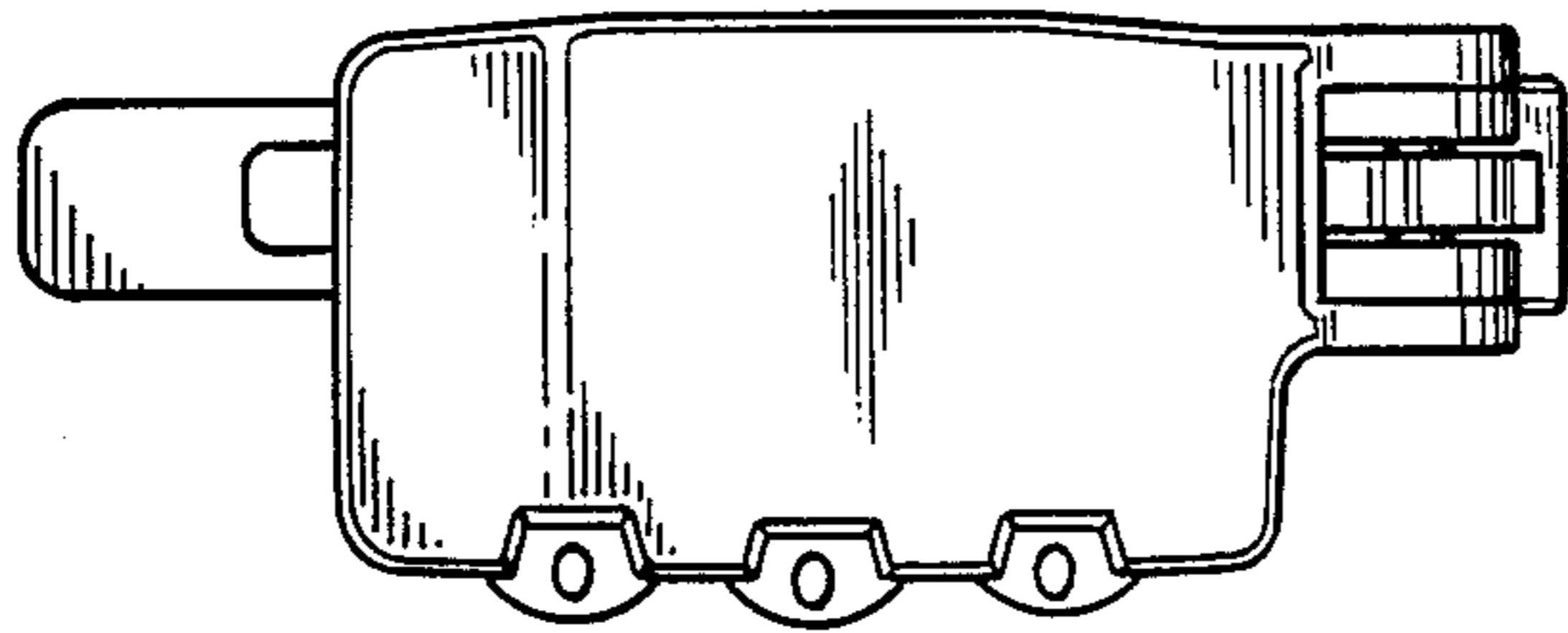


FIG. 2

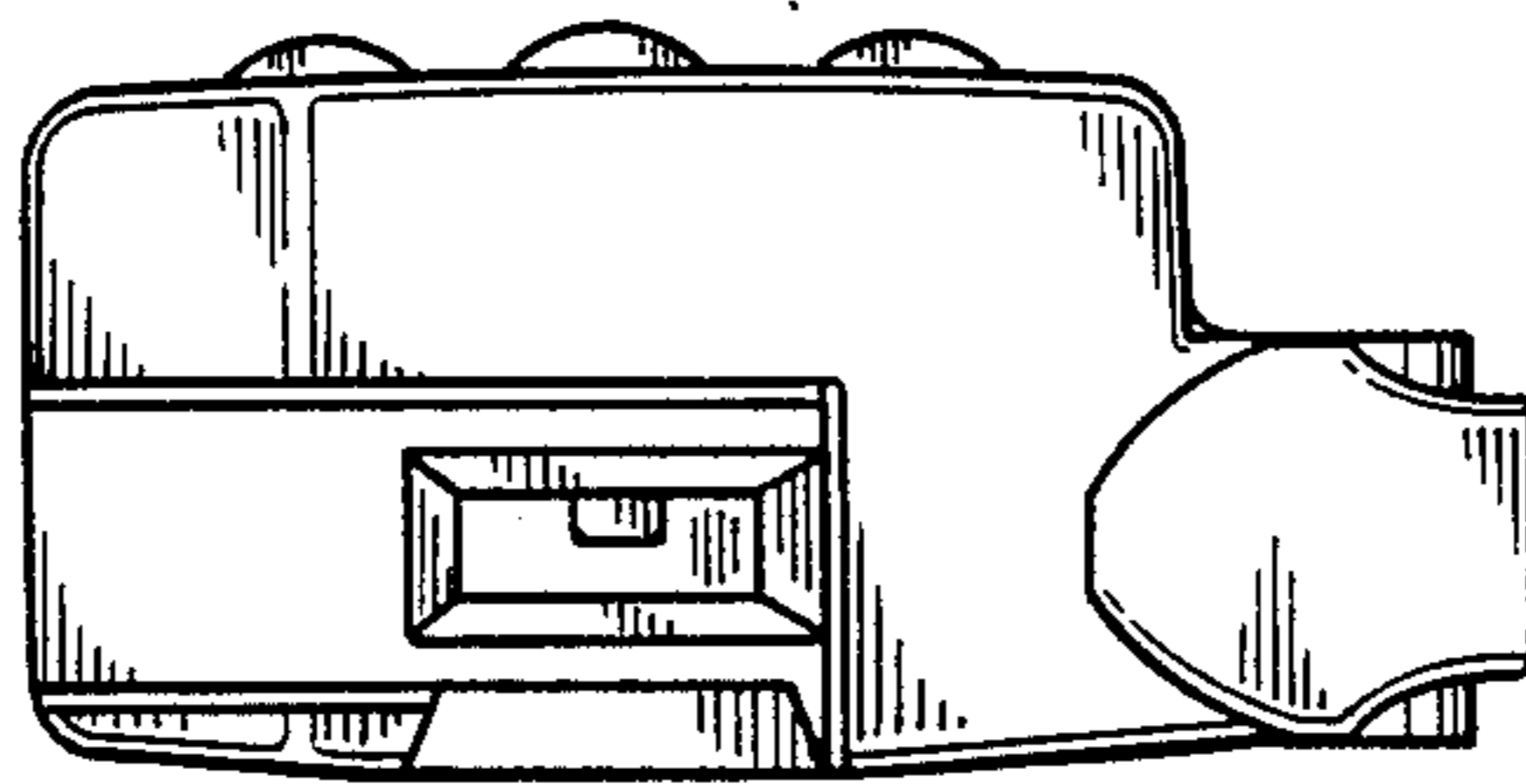


FIG. 3

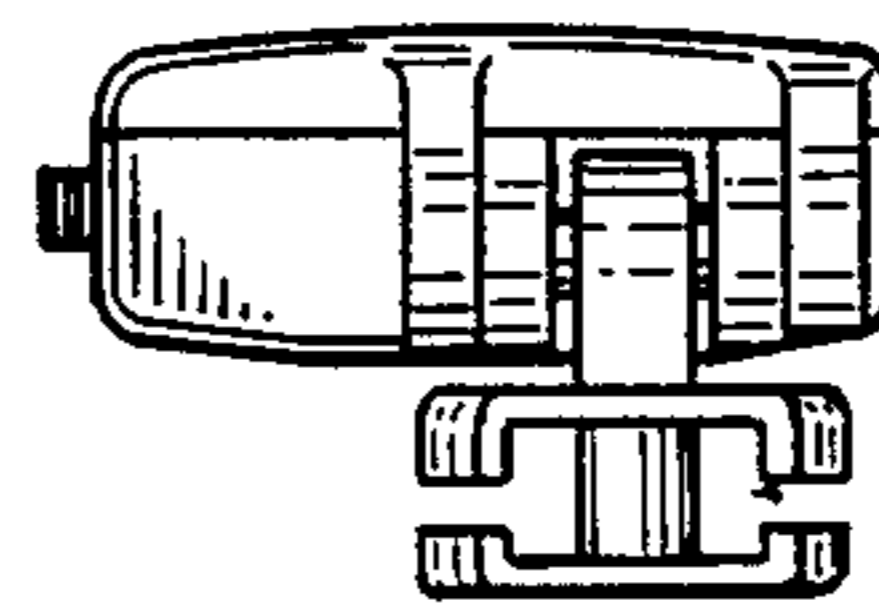


FIG. 4

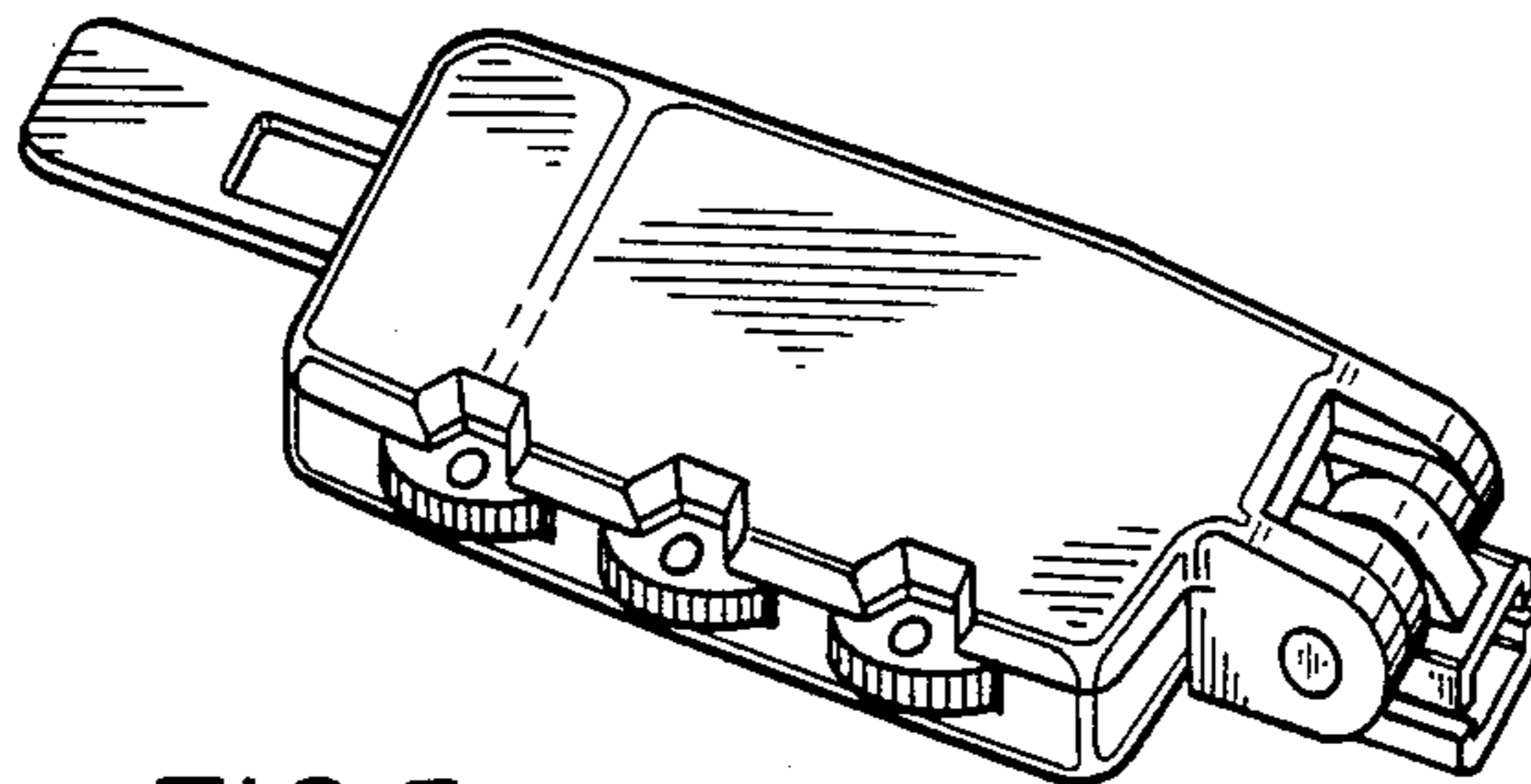


FIG. 5