

[54] NAIL GUN

[75] Inventors: Fusao Fushiya; Masaki Muromachi, both of Anjo, Japan

[73] Assignee: Makita Electric Works, Ltd., Anjo, Japan

[\*\*] Term: 14 Years

[21] Appl. No.: 73,208

[22] Filed: Jul. 14, 1987

[30] Foreign Application Priority Data

Jan. 20, 1987 [JP]	Japan .....	62-1984
[52] U.S. Cl. ....		D8/69; D8/61
[58] Field of Search .....		D8/61, 69; 227/130, 227/120

[56] References Cited

U.S. PATENT DOCUMENTS

D. 211,207	5/1968	Bader .....	D8/69
4,585,154	4/1986	Fealey et al. ....	227/120 X
4,600,135	7/1986	Mukoyama .....	227/120
4,669,648	6/1987	Monacelli .....	227/120 X

FOREIGN PATENT DOCUMENTS

624400	2/1984	Japan .
624400-1	10/1985	Japan .

OTHER PUBLICATIONS

Japanese Catalogue Page, printed Jul. 1983, distributed in Japan, Model AN5010.

Japanese Catalogue Page, printed Sep. 1984, distributed in Japan, Model AN 3200.

Japanese Design Application Ser. No. 59-46653, filed Nov. 12, 1984, this application has not yet issued.

Primary Examiner—Winifred E. Herrmann

Assistant Examiner—John Warchol

Attorney, Agent, or Firm—Dennison, Meserole, Pollack & Scheiner

[57] CLAIM

The ornamental design for a nail gun, as shown and described.

DESCRIPTION

FIG. 1 is a front elevational view of a nail gun showing our new design;

FIG. 2 is a rear elevational view thereof;

FIG. 3 is a side elevational view thereof taken from the left side of FIG. 1;

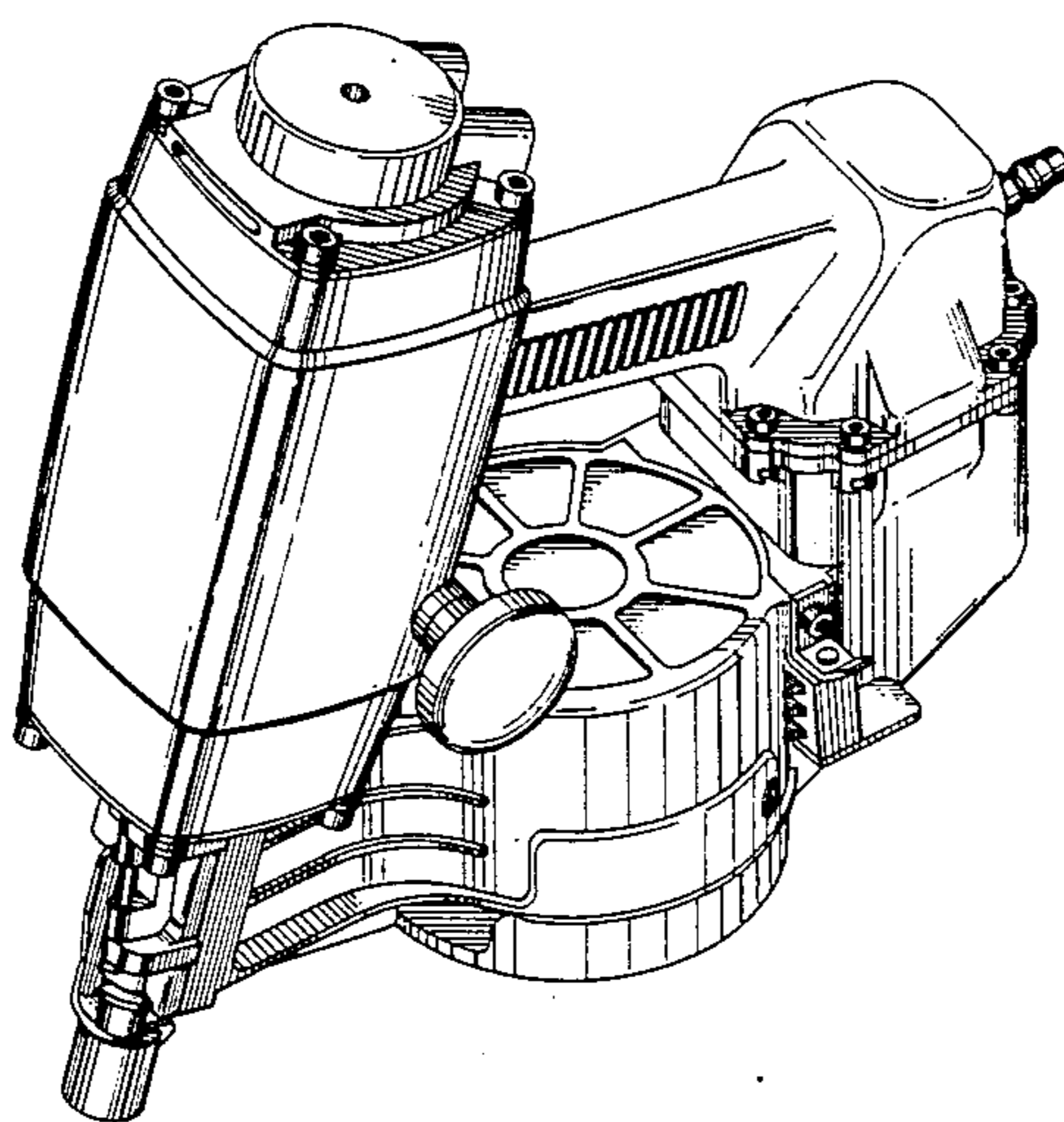
FIG. 4 is a side elevational view thereof taken from the right side of FIG. 1;

FIG. 5 is a top plan view thereof;

FIG. 6 is a bottom plan view thereof;

FIG. 7 is a top, front and left side perspective view thereof; and

FIG. 8 is a top, front and left side perspective view similar to FIG. 7, with its knob shown in an exploded position.



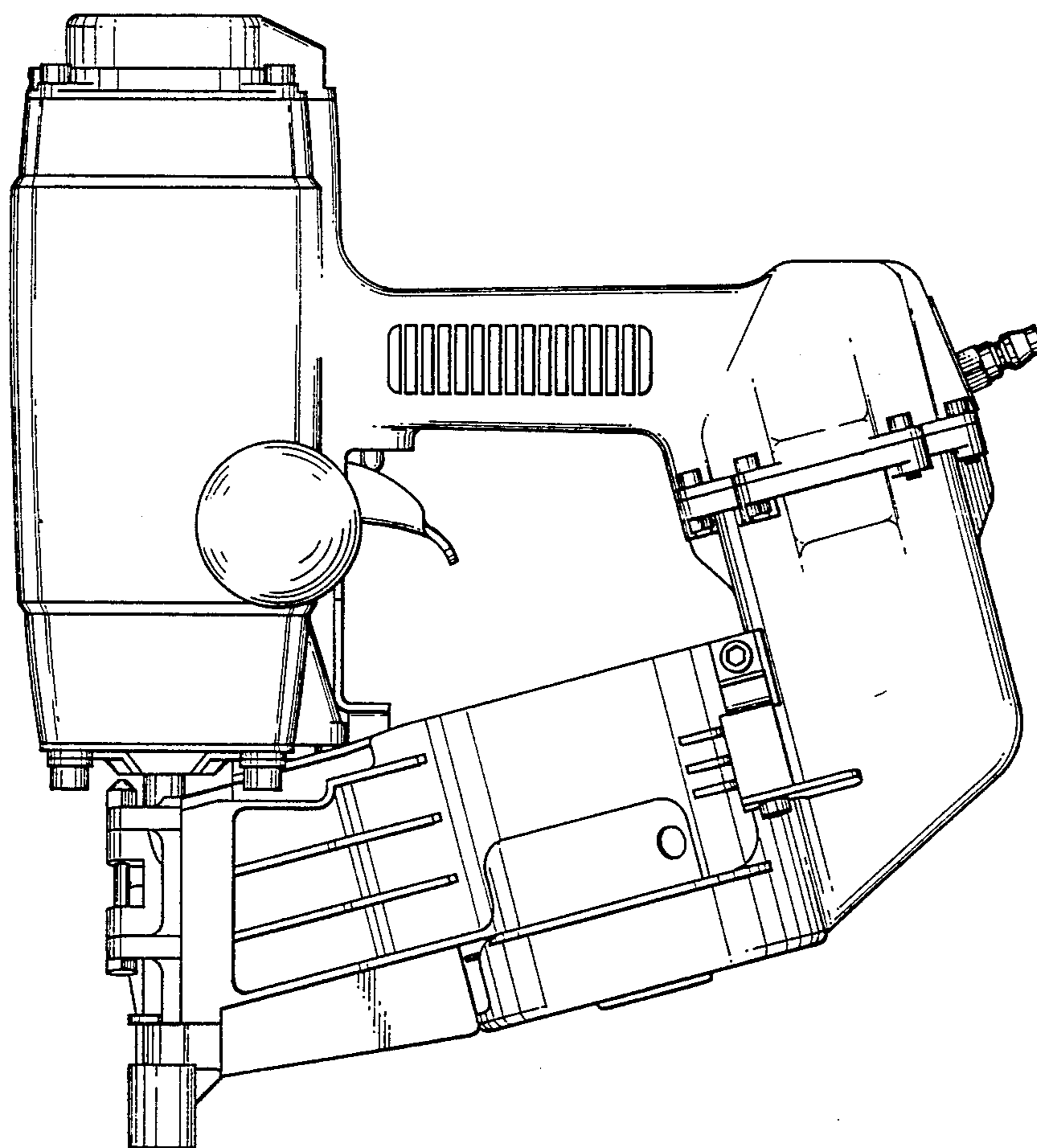


FIG. 1

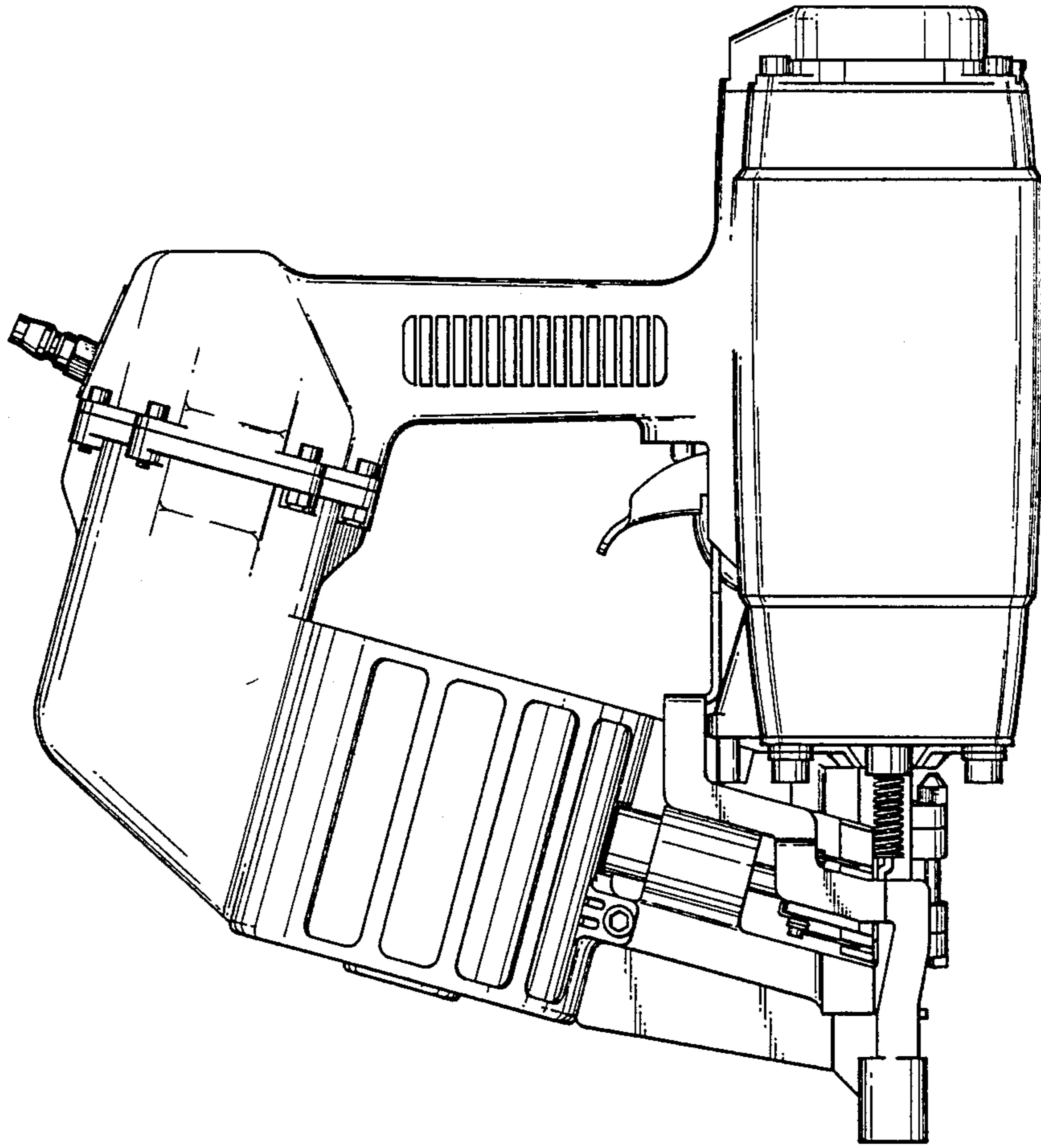


FIG. 2

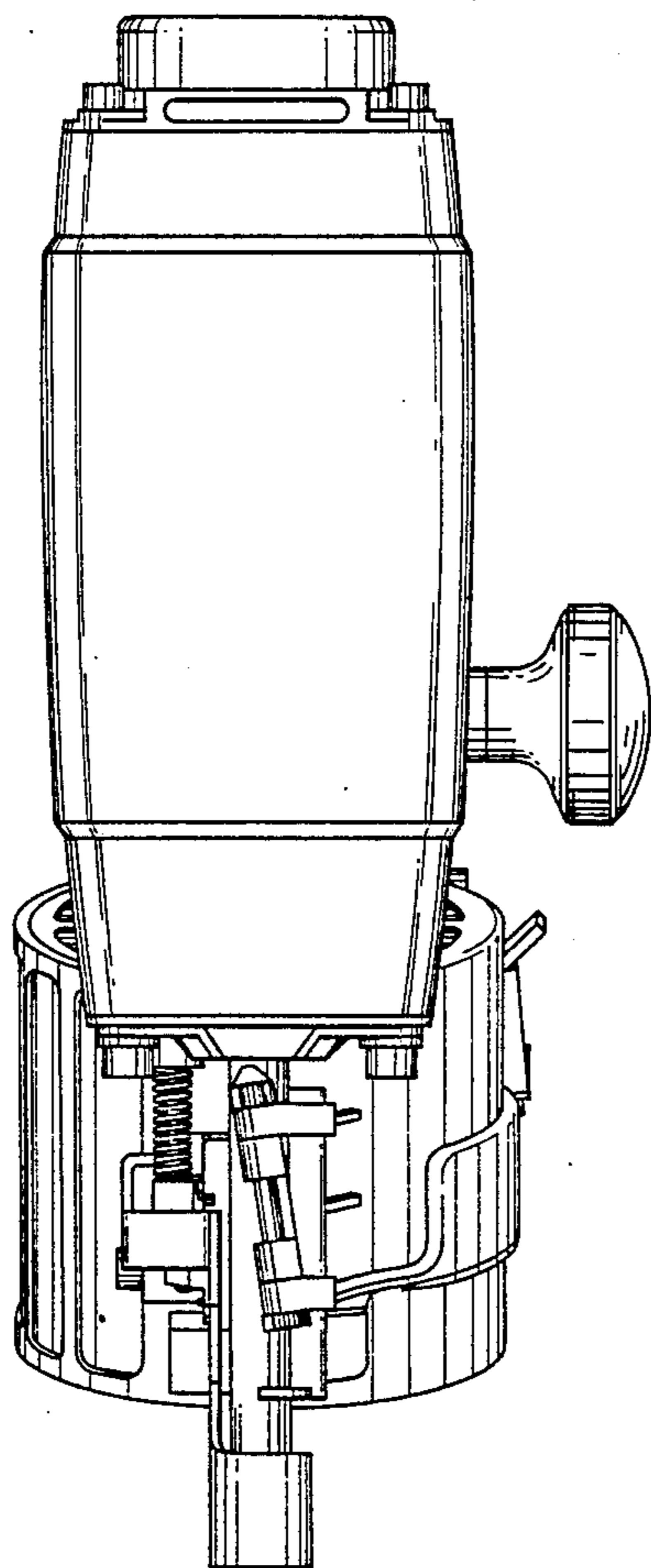


FIG. 3

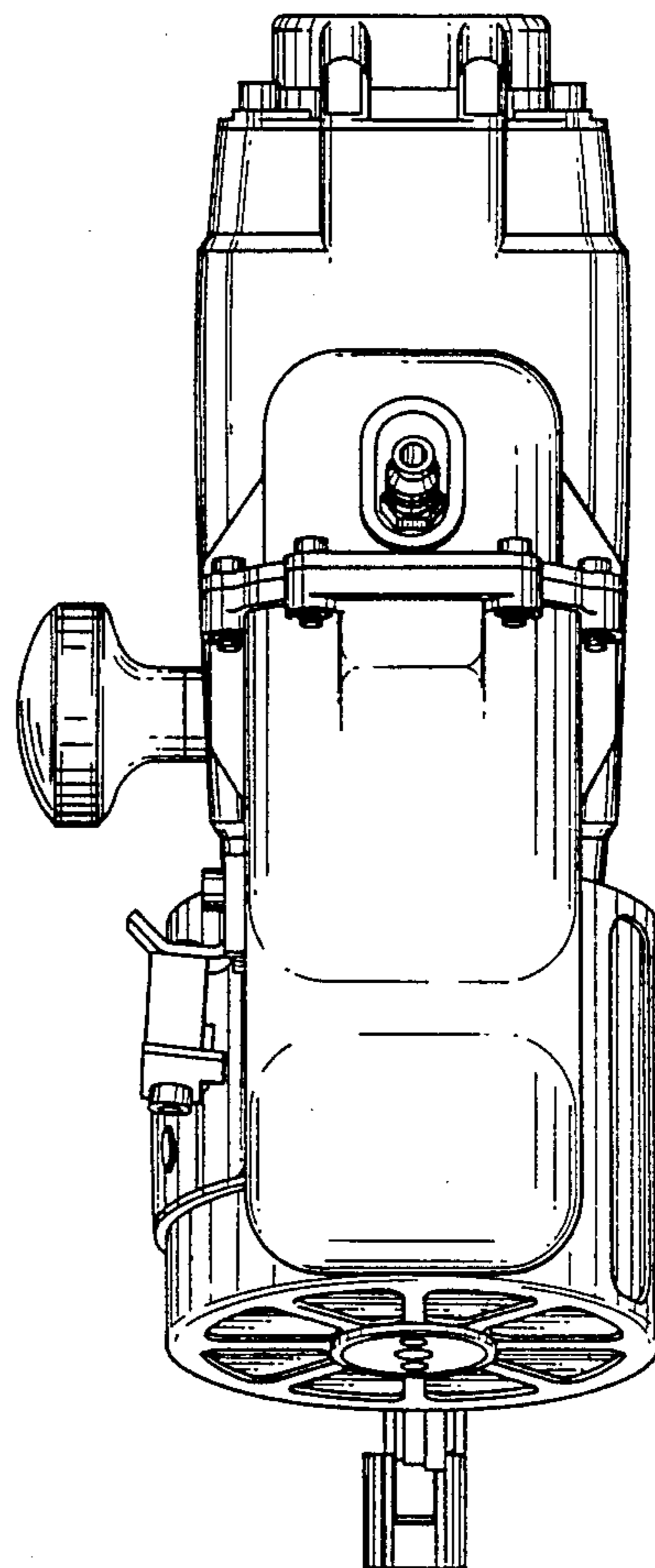


FIG. 4



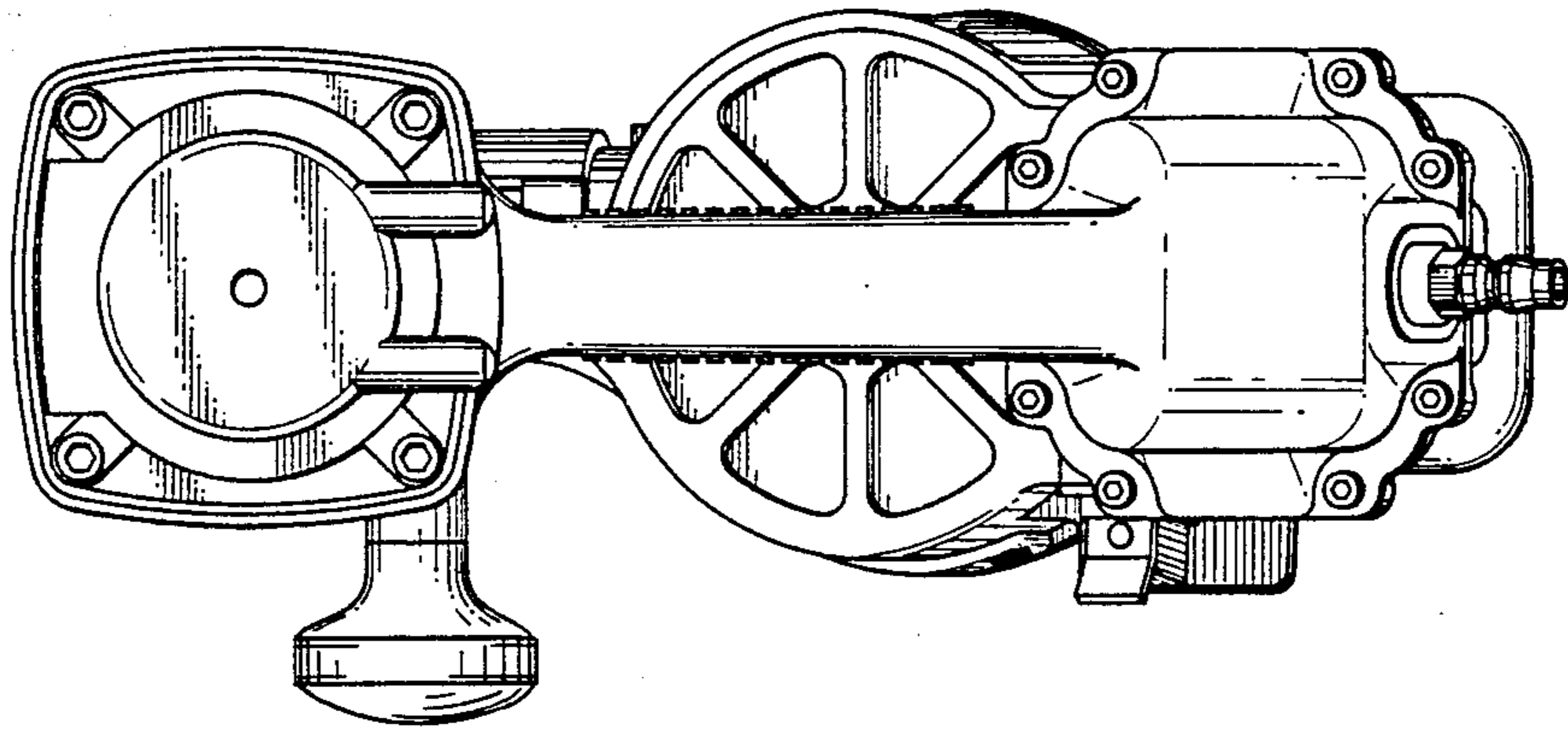


FIG. 5

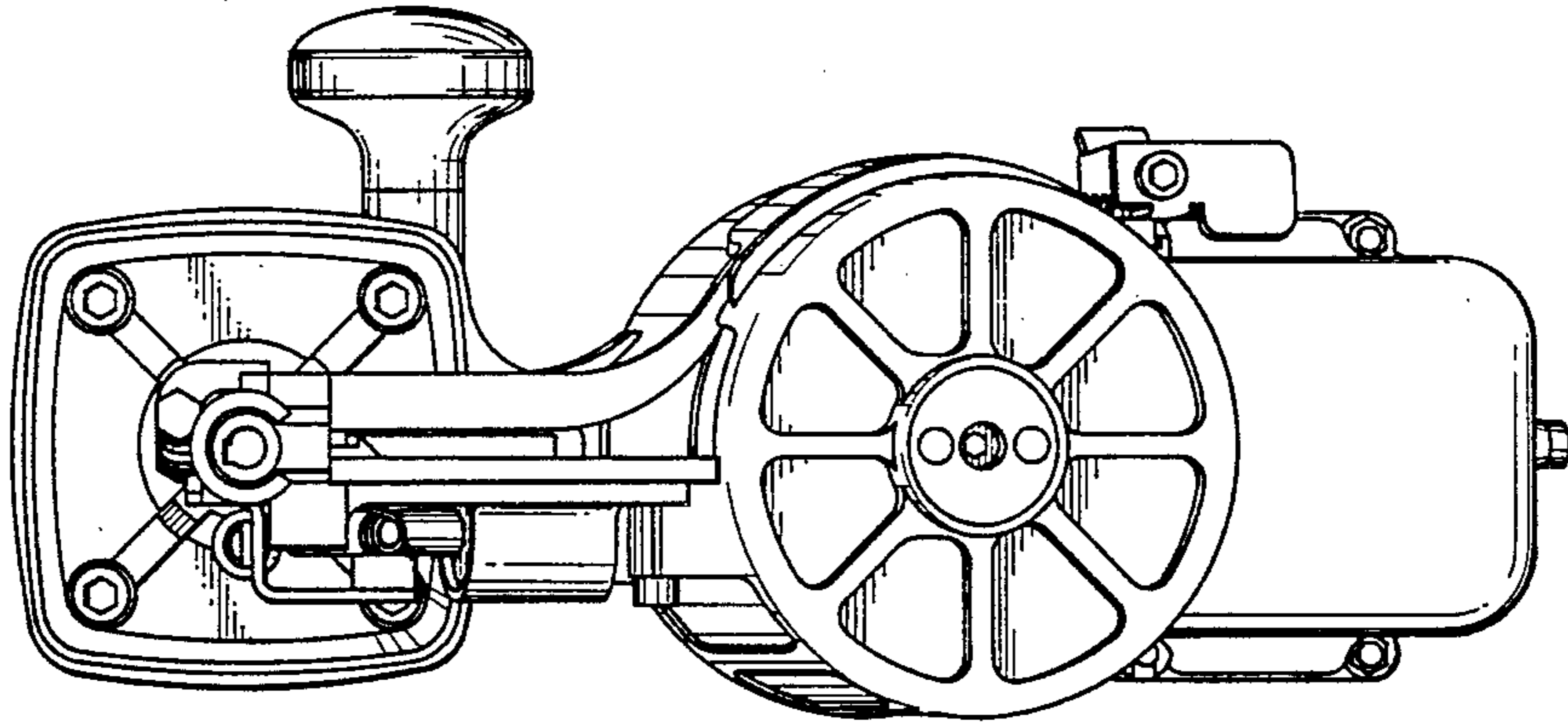


FIG. 6

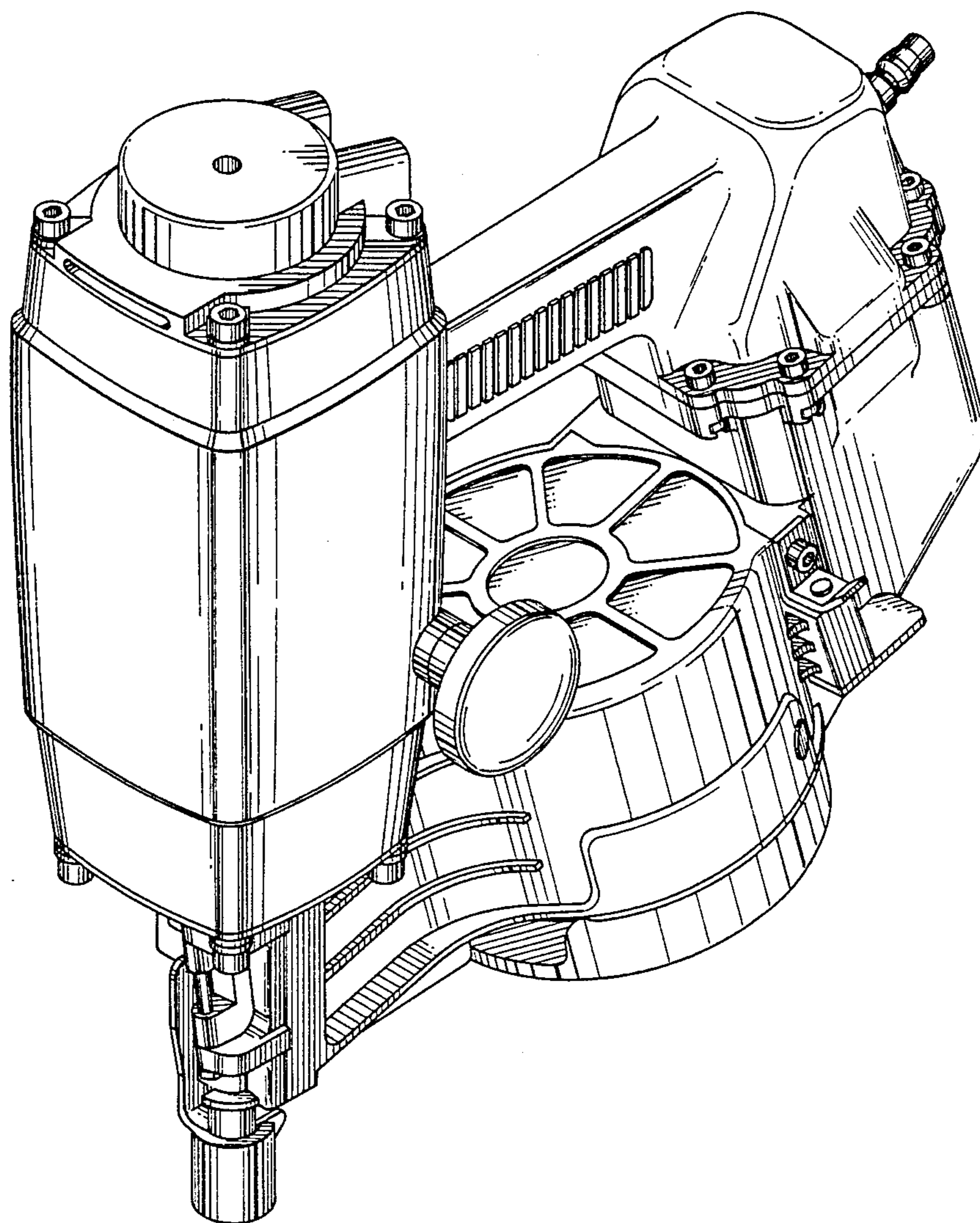


FIG. 7

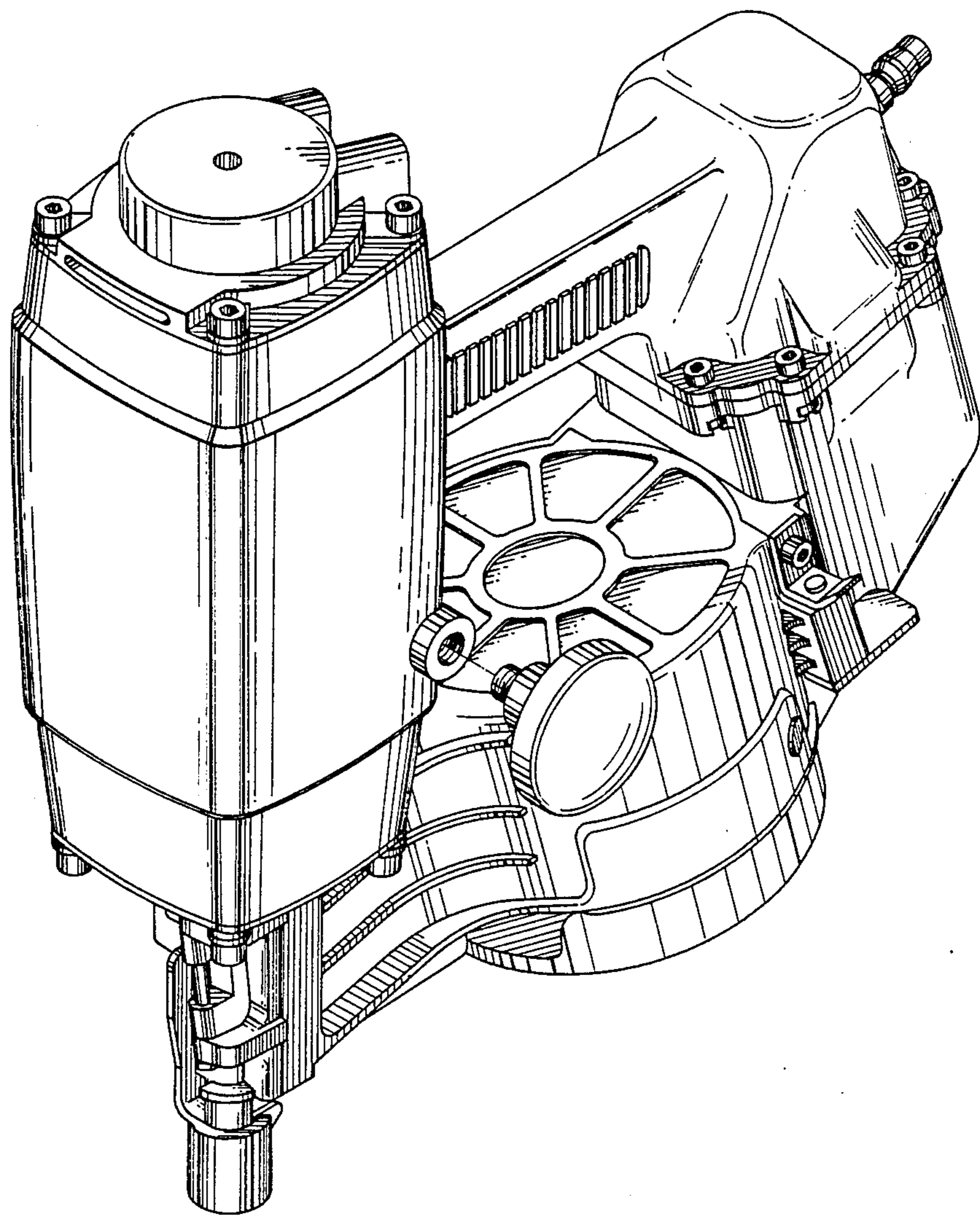


FIG. 8