

[54] TEA BREWER

2,905,418 9/1959 Escartin D7/70 X

[76] Inventor: Tassilo V. Grolman, Füllerstr. 4,
D-6370 Oberursel/Taunus, Fed.
Rep. of Germany

FOREIGN PATENT DOCUMENTS

130839 1/1949 Australia 99/323

[**] Term: 14 Years

OTHER PUBLICATIONS

Form 101, Aug. 1983, p. 44, 2nd col., 2nd panel up from
bottom—Tea Brewer/Stand by Tassilo Von Grolman.

[21] Appl. No.: 865,541

Primary Examiner—Winifred E. Herrmann
Attorney, Agent, or Firm—Michael J. Striker

[22] Filed: May 20, 1986

[30] Foreign Application Priority Data

Nov. 21, 1985 [DE] Fed. Rep. of Germany ... 10 MR 665

[52] U.S. Cl. D7/305; D7/317;
D7/366

[58] Field of Search D7/317, 314, 313, 305,
D7/300, 312, 397, 399, 309, 366, 355, 365, 354,
70, 47; 99/279, 323, 306, 323.3; 220/85 H

[57] CLAIM

The ornamental design for a tea brewer, as shown and
described.

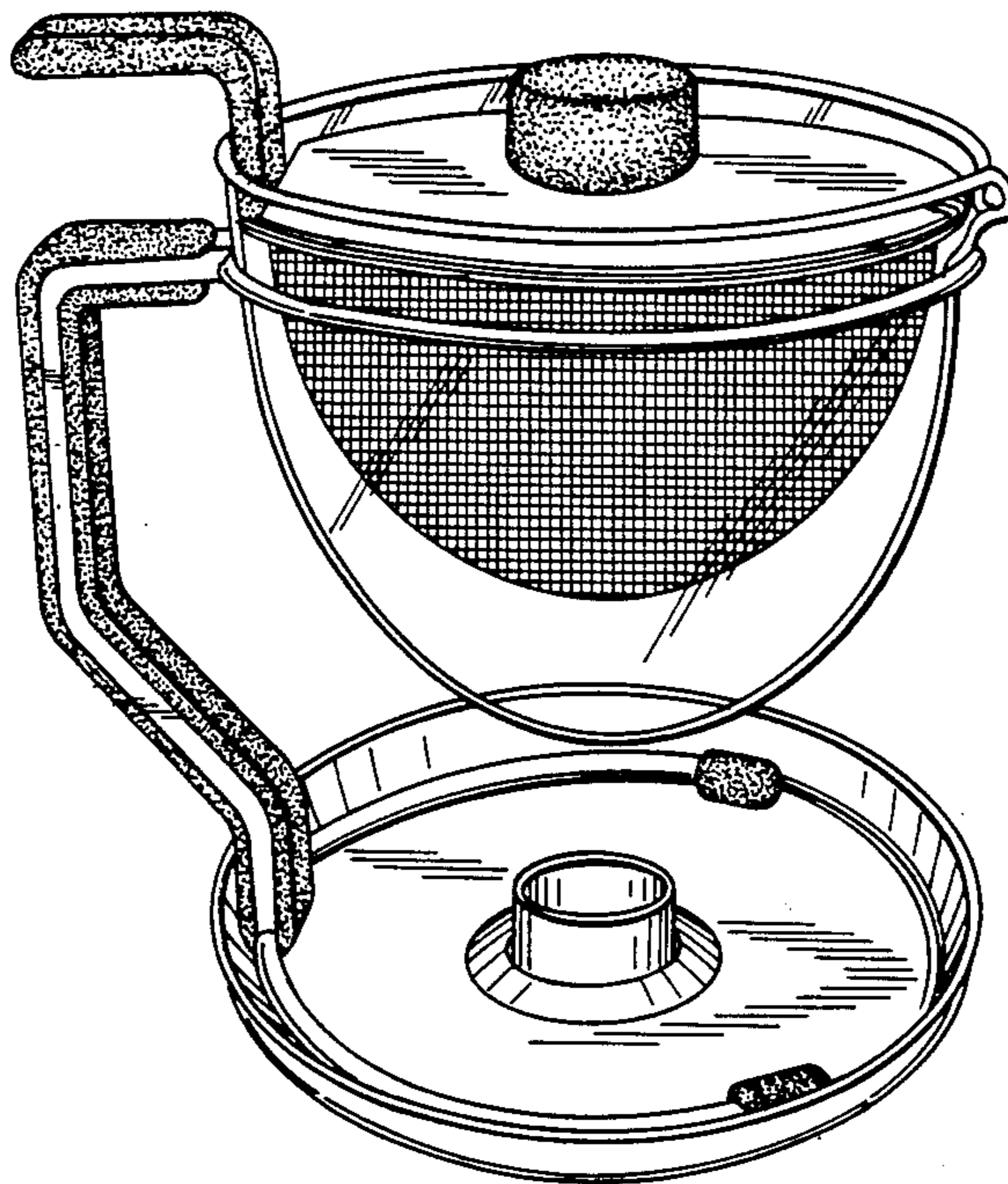
[56] References Cited

U.S. PATENT DOCUMENTS

- D. 51,200 8/1917 Curtiss D7/309
- D. 151,239 10/1948 Hingelberg D7/355 X
- D. 164,650 9/1951 O'Connell D7/366
- D. 181,266 10/1957 Alvarez D7/354

DESCRIPTION

FIG. 1 is a top, front, and left side perspective view of
a tea brewer showing my new design;
FIG. 2 is a right side elevational view thereof;
FIG. 3 is a top plan view thereof;
FIG. 4 is a rear elevational view thereof;
FIG. 5 is a bottom plan view thereof.
The stippled shading on the drawing represents contrast
only.



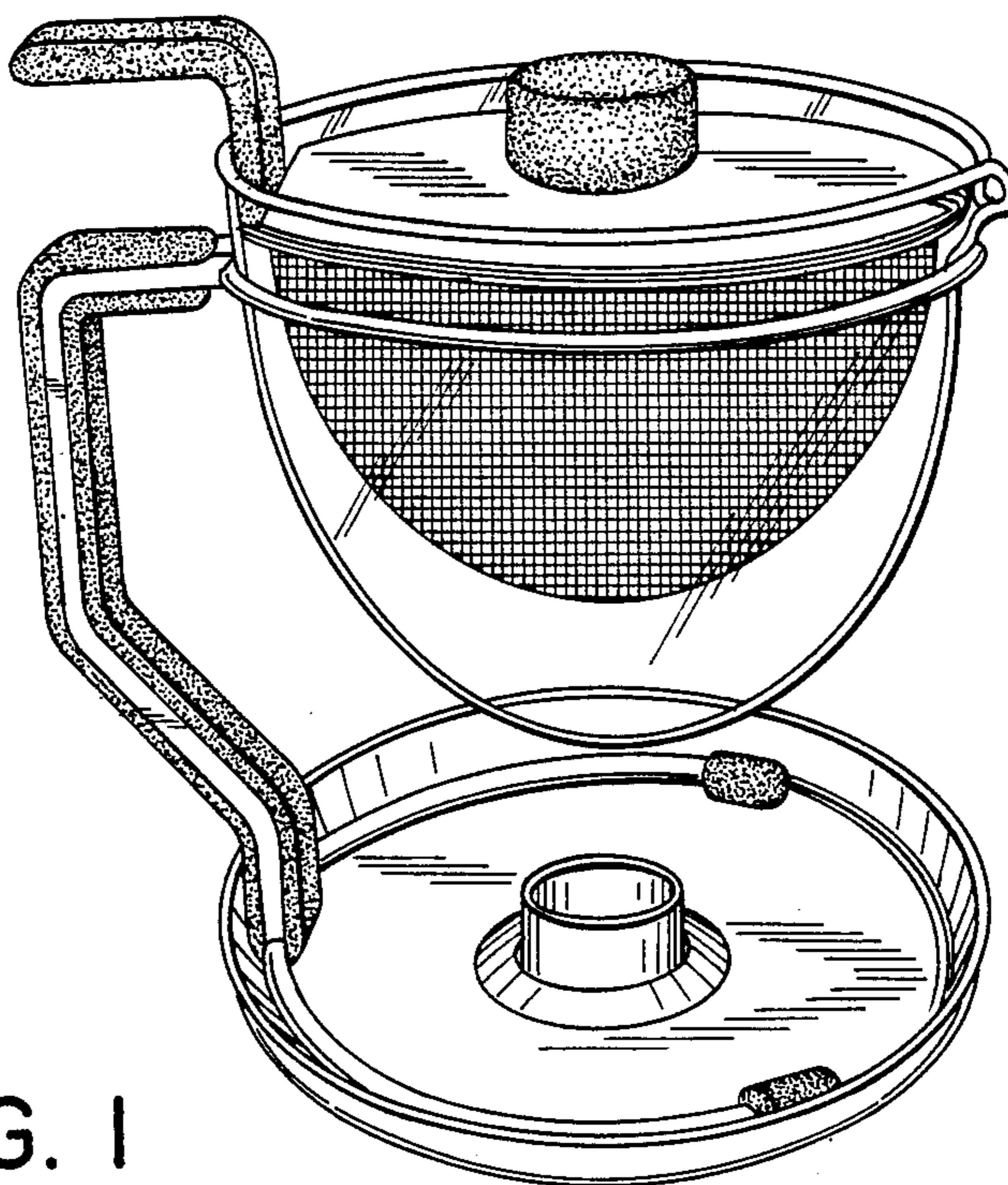


FIG. 1

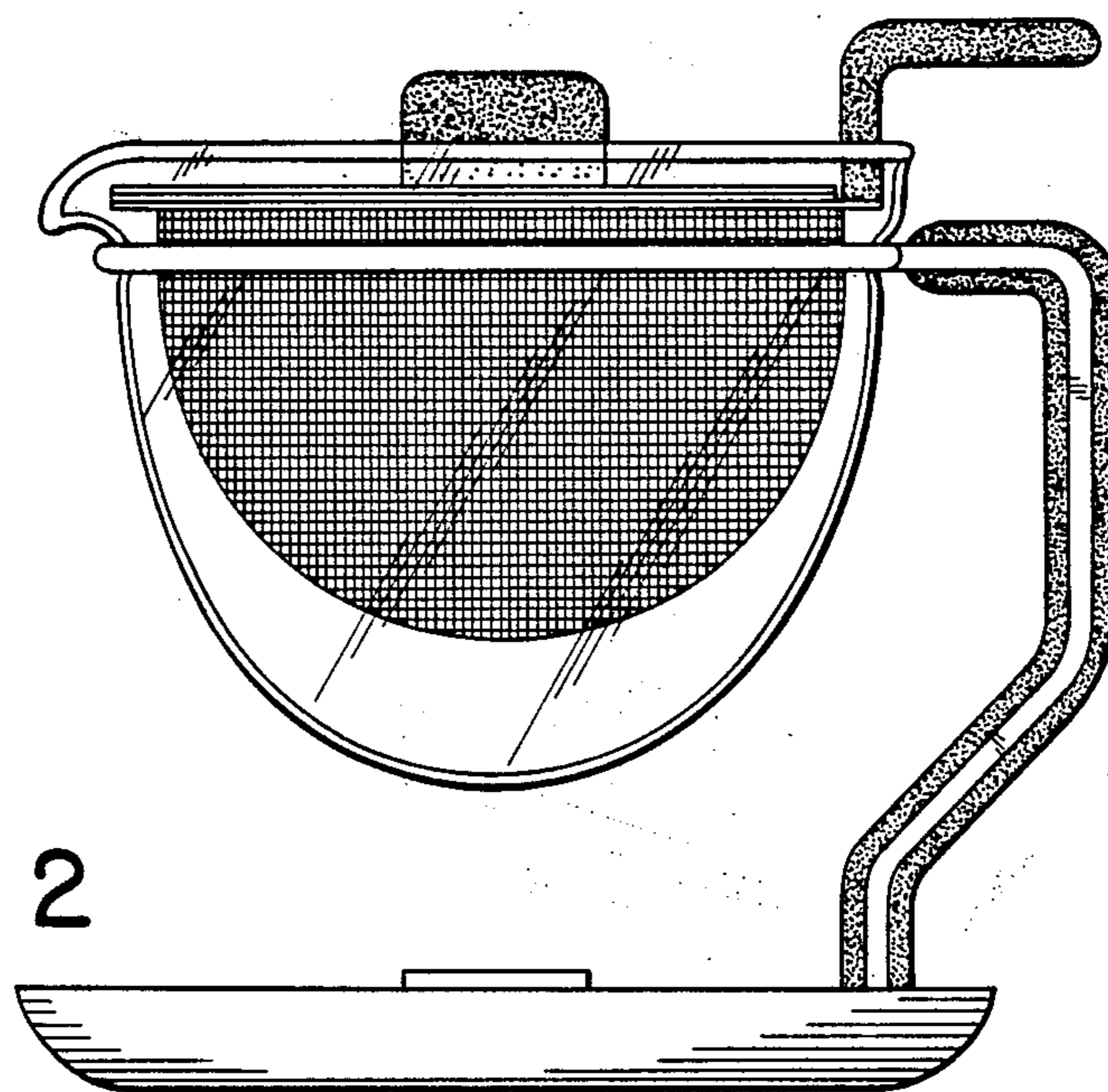


FIG. 2

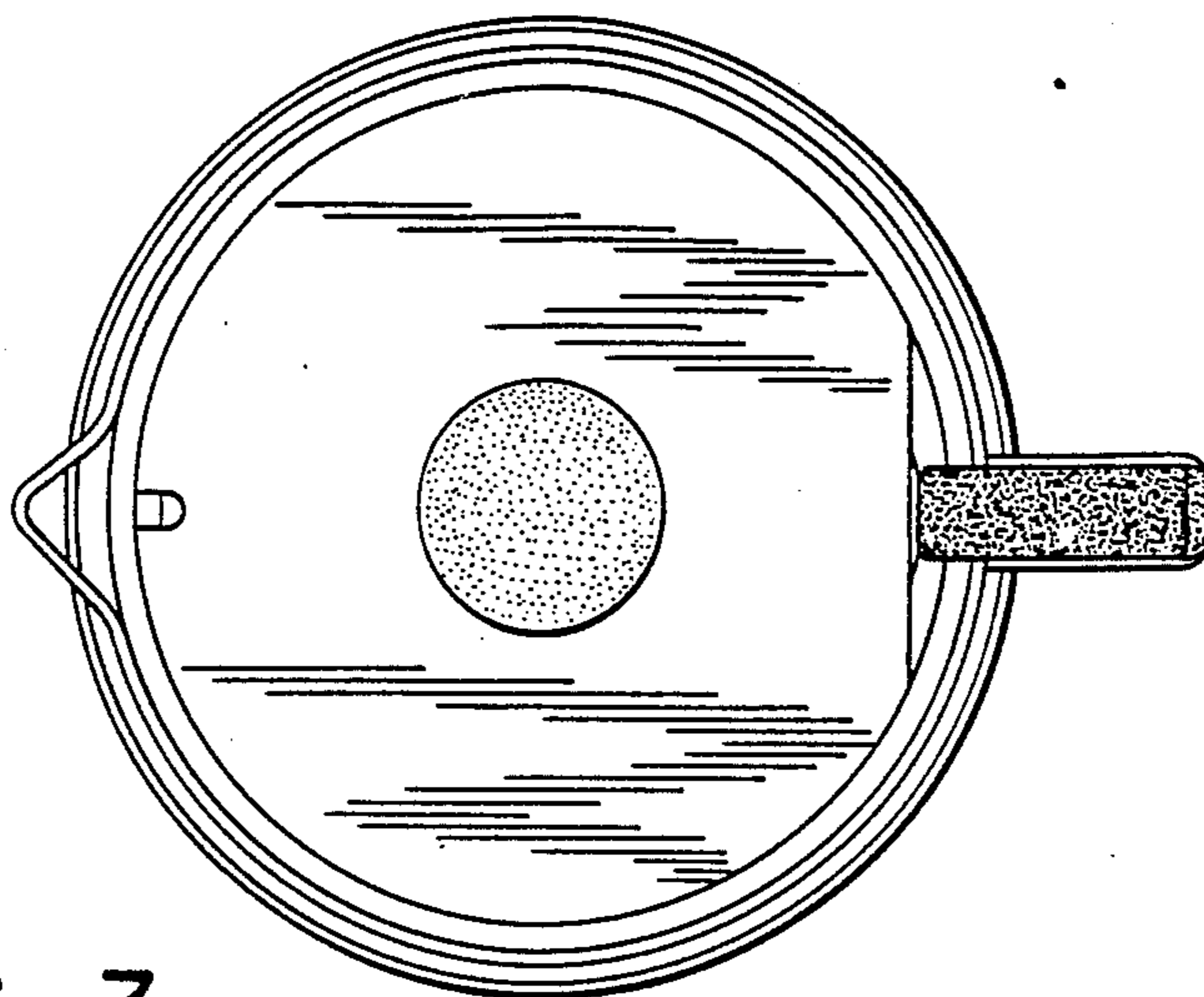


FIG. 3

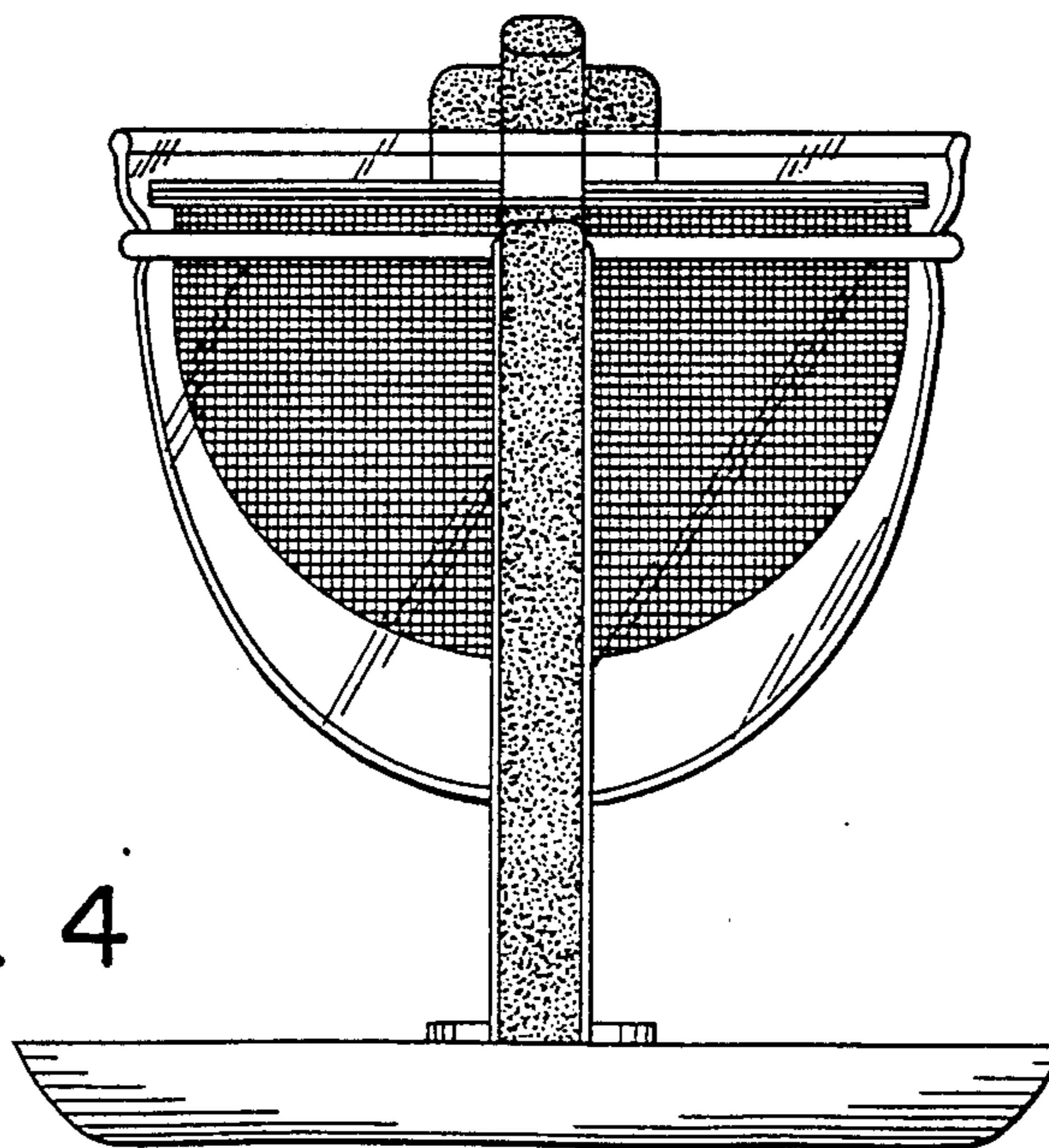


FIG. 4

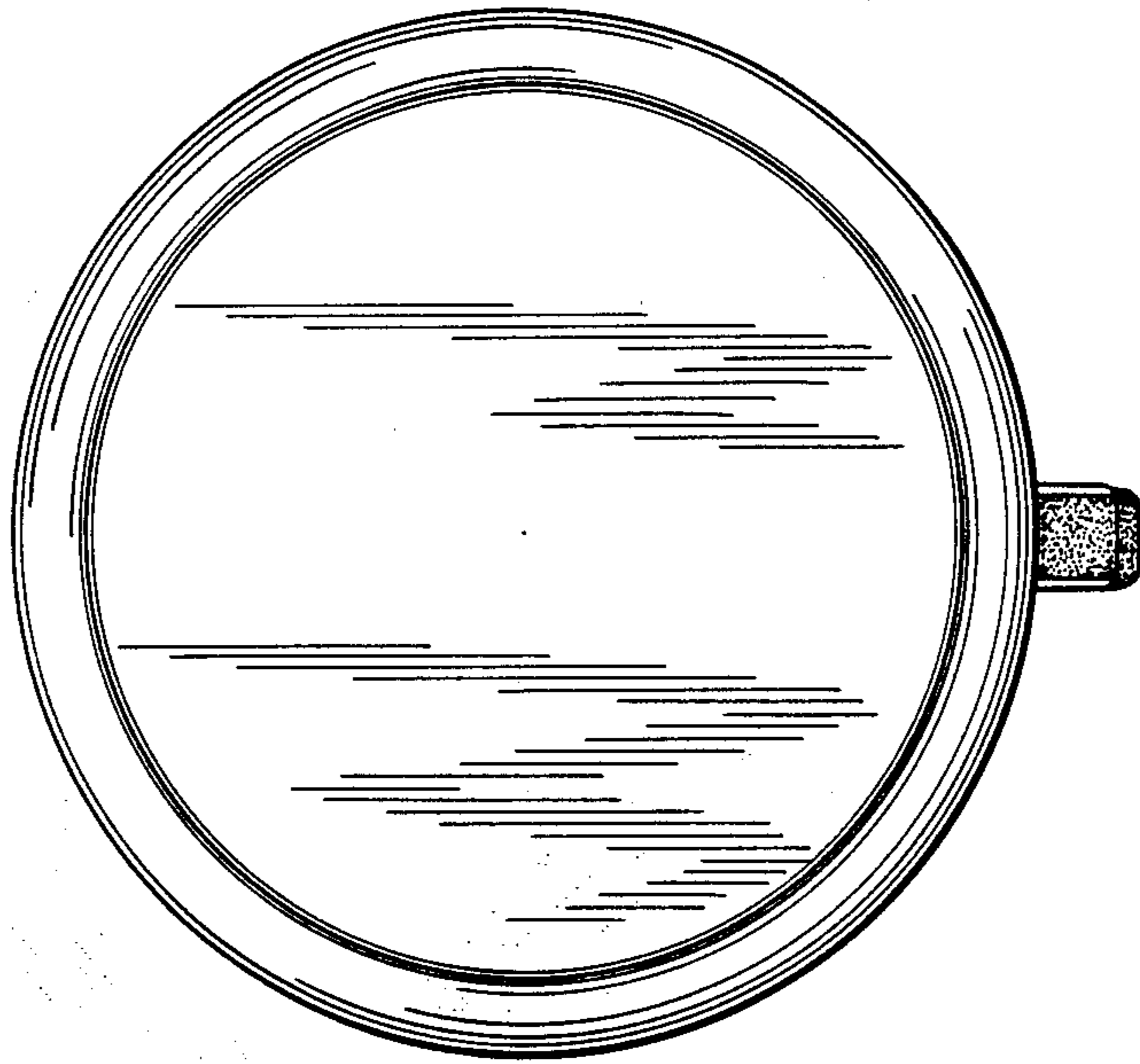


FIG. 5