

[54] HOLDER FOR VEGETABLES TO BE CUT

[75] Inventor: A. Börner, Niederkail, Fed. Rep. of Germany

[73] Assignee: A. Börner GmbH, Fed. Rep. of Germany

[\*\*] Term: 14 Years

[21] Appl. No.: 88,195

[22] Filed: Aug. 24, 1987

[30] Foreign Application Priority Data

Feb. 25, 1987 [DE] Fed. Rep. of Germany ..... 7 AR 22/87

[52] U.S. Cl. .... D7/683

[58] Field of Search ..... D7/43, 99, 106; 30/359; 294/61, 1.1

[56] References Cited

U.S. PATENT DOCUMENTS

3,010,500 11/1961 Jordan ..... 294/1.1 X  
3,180,383 4/1965 Nudell ..... D7/43 X

Primary Examiner—Bernard Ansher  
Assistant Examiner—Terry A. Pfeffer  
Attorney, Agent, or Firm—Hill, Van Santen, Steadman & Simpson

[57] CLAIM

The ornamental design for a holder for vegetables to be cut, as shown and described.

DESCRIPTION

FIG. 1 is a top, front, left side perspective view of holder for vegetables to be cut showing my new design; FIG. 2 is a bottom plan view thereof; FIG. 3 is a right side elevational view thereof; FIG. 4 is a rear elevational thereof; and FIG. 5 is a cross-sectional view taken along line 5—5 of FIG. 2.

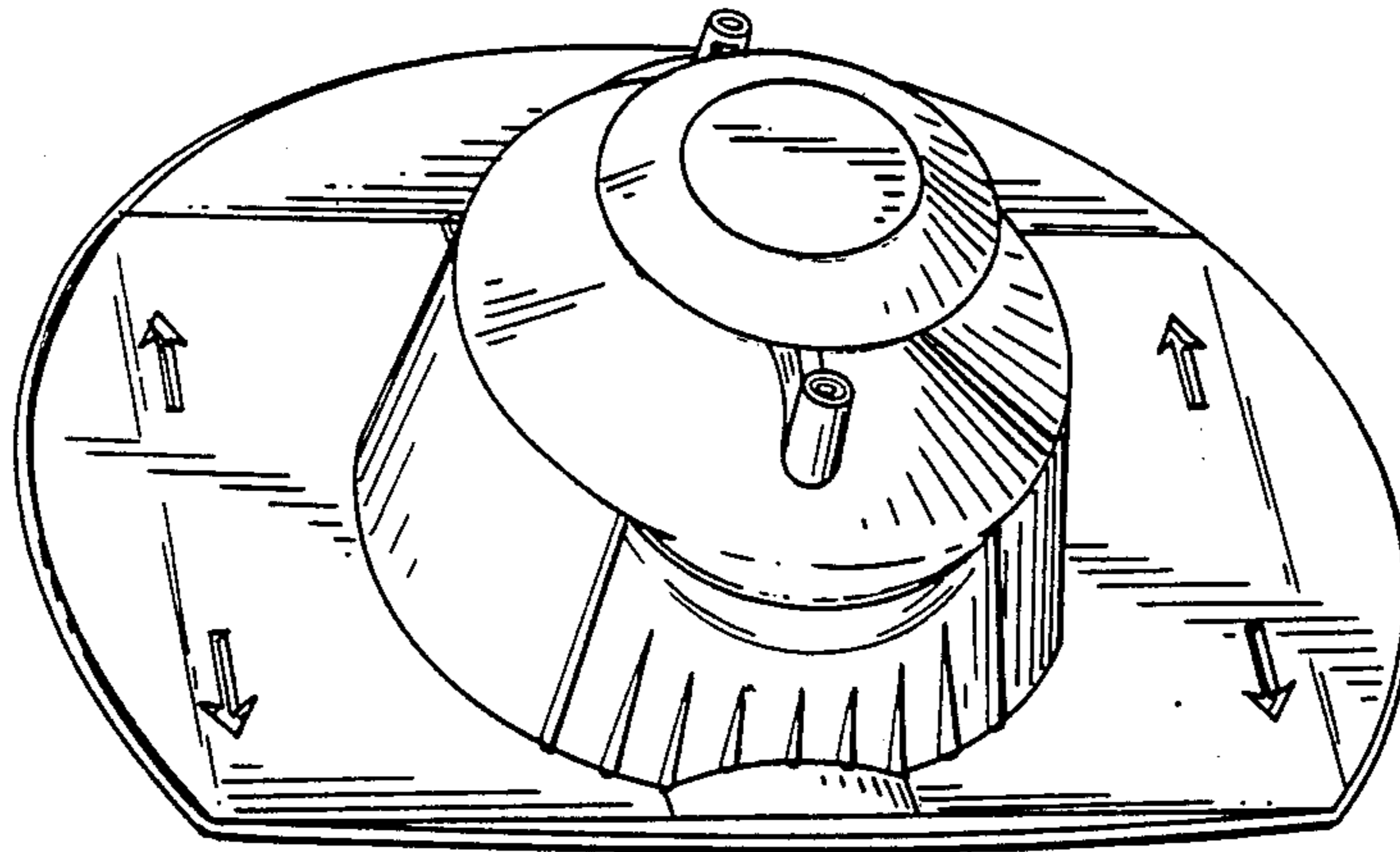


FIG. 1

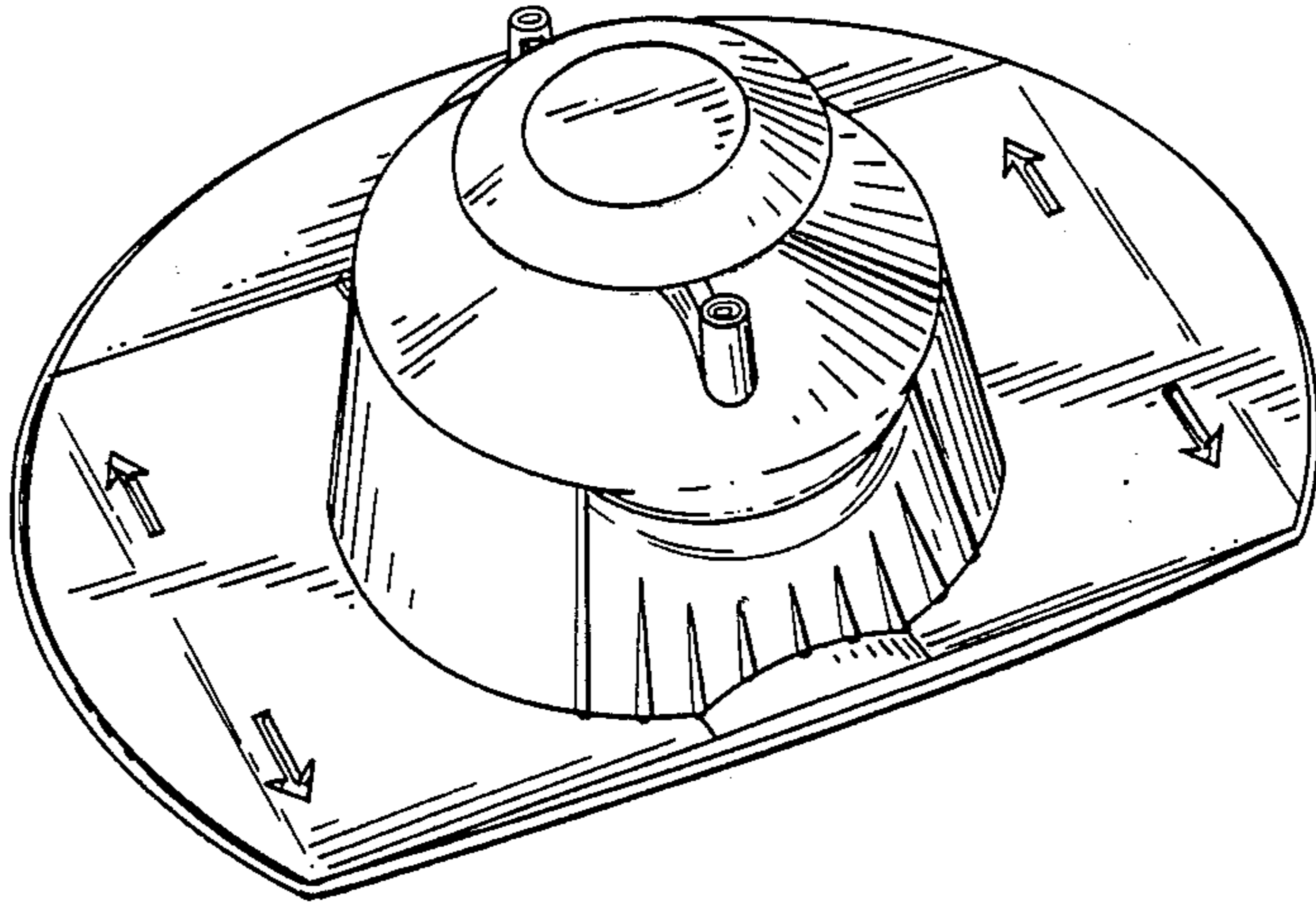


FIG. 2

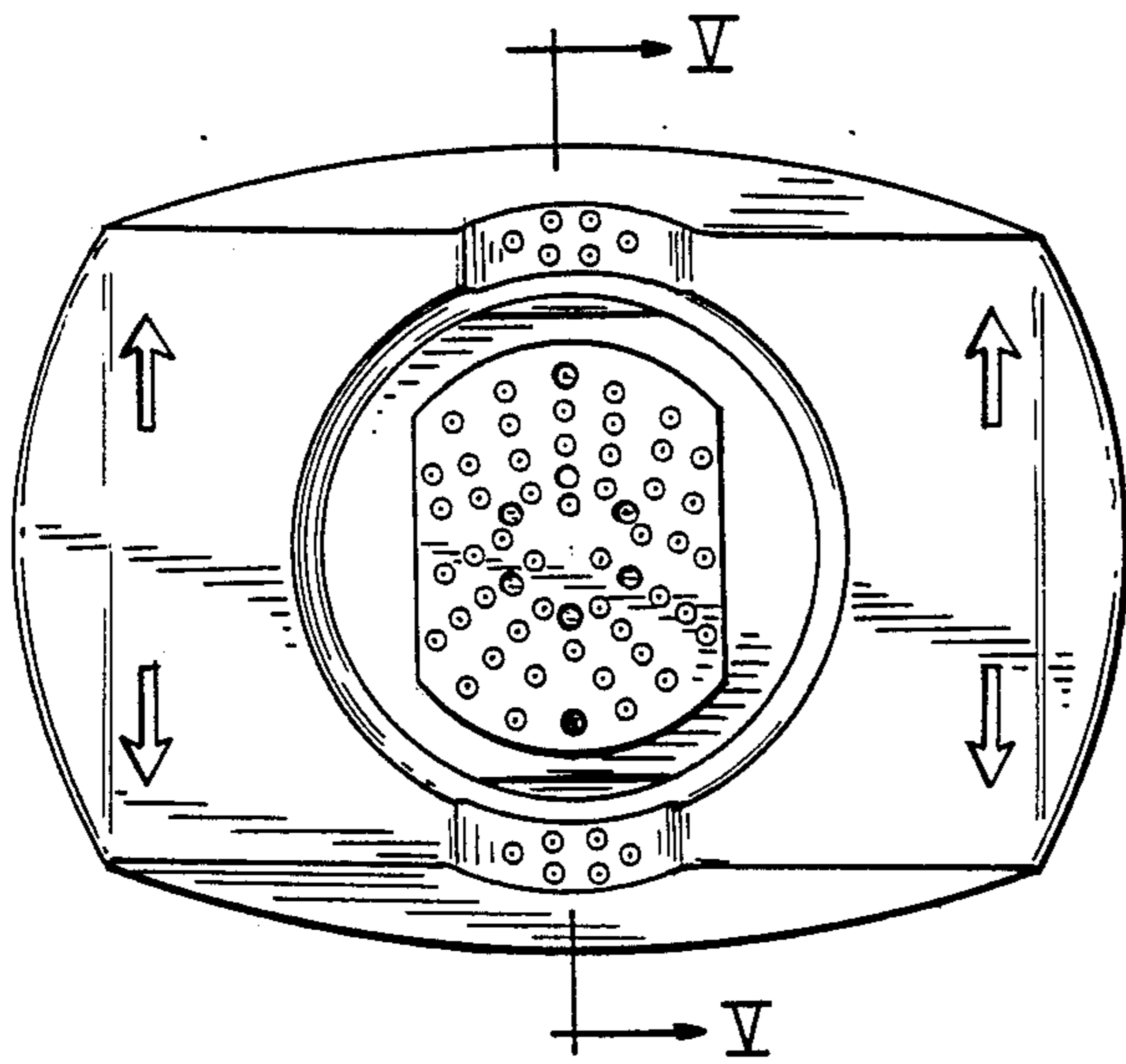


FIG. 3

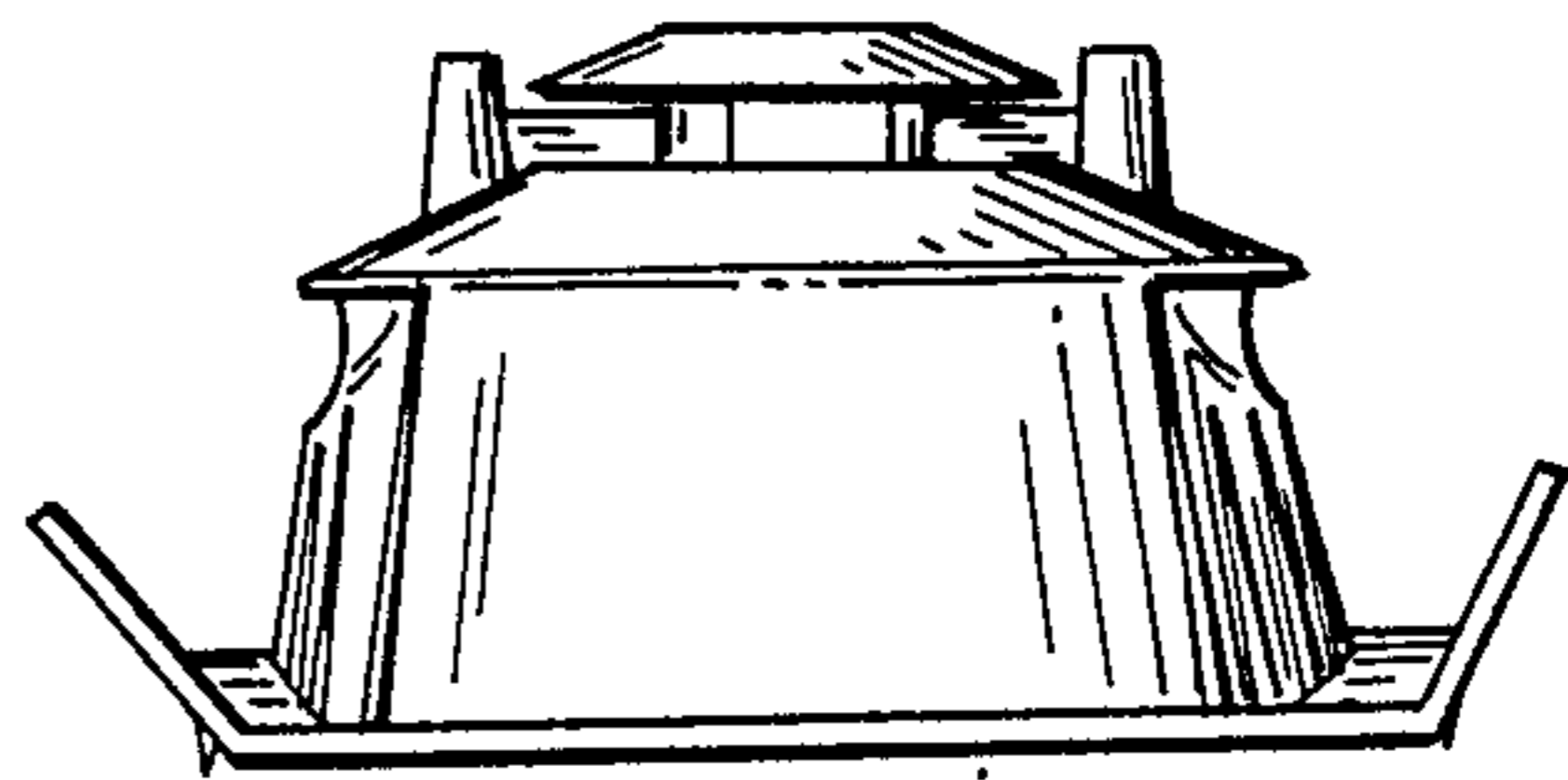


FIG. 4

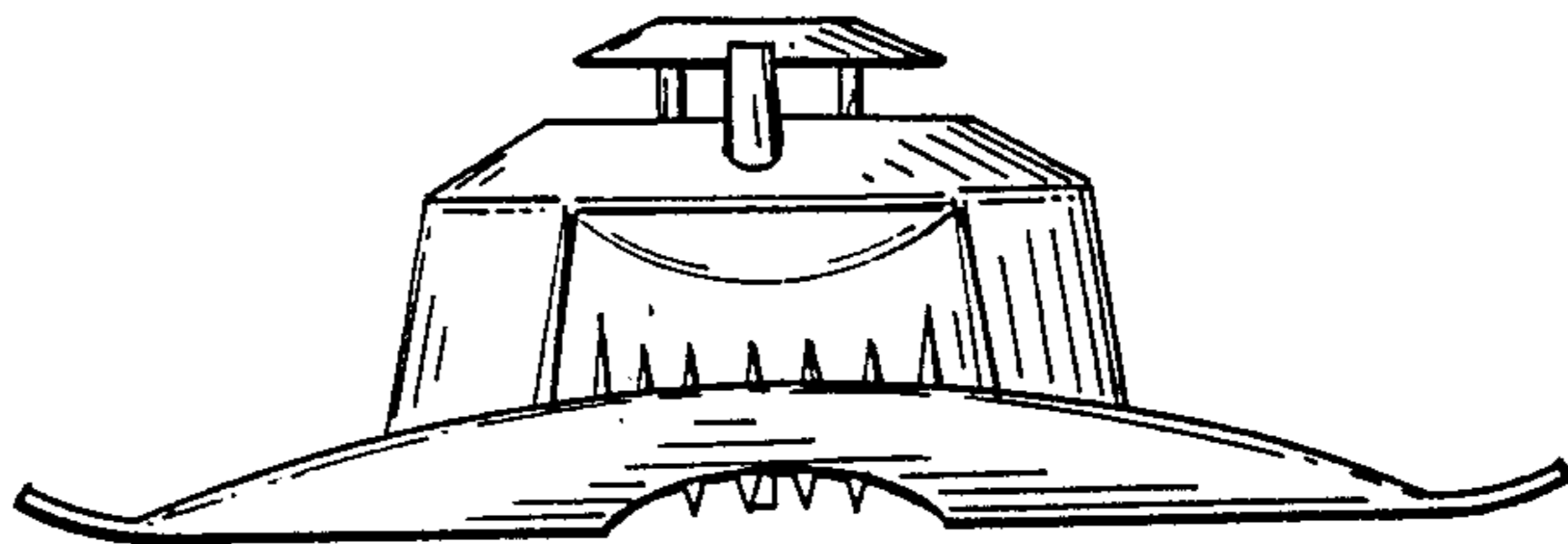


FIG. 5

