

[54] CELEBRATION CAKE COVER

[56] References Cited

[76] Inventors: Paul Sibilio, 2118 - 61st St., Brooklyn, N.Y. 11204; George Hitt, 137-99 Bedell St., Jamaica, N.Y. 11413

U.S. PATENT DOCUMENTS

D. 216,271 12/1969 Swatt et al. D7/83
2,758,458 8/1956 Carlson 312/284 X
4,219,119 8/1980 Zafran D7/85 X

[**] Term: 14 Years

Primary Examiner—Bernard Ansher
Assistant Examiner—Terry A. Pfeffer
Attorney, Agent, or Firm—Jerry T. Kearns

[21] Appl. No.: 142,826

[57] CLAIM

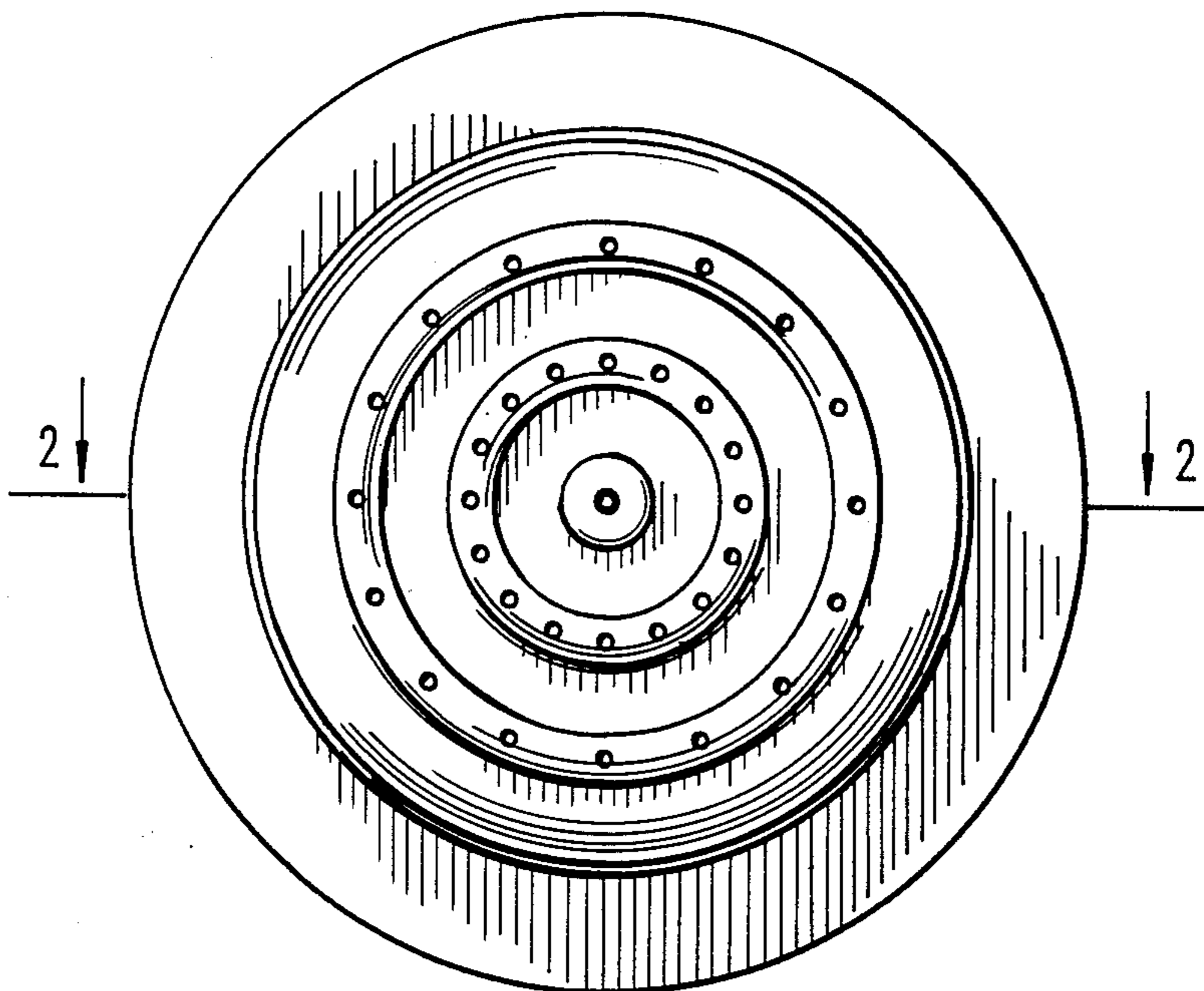
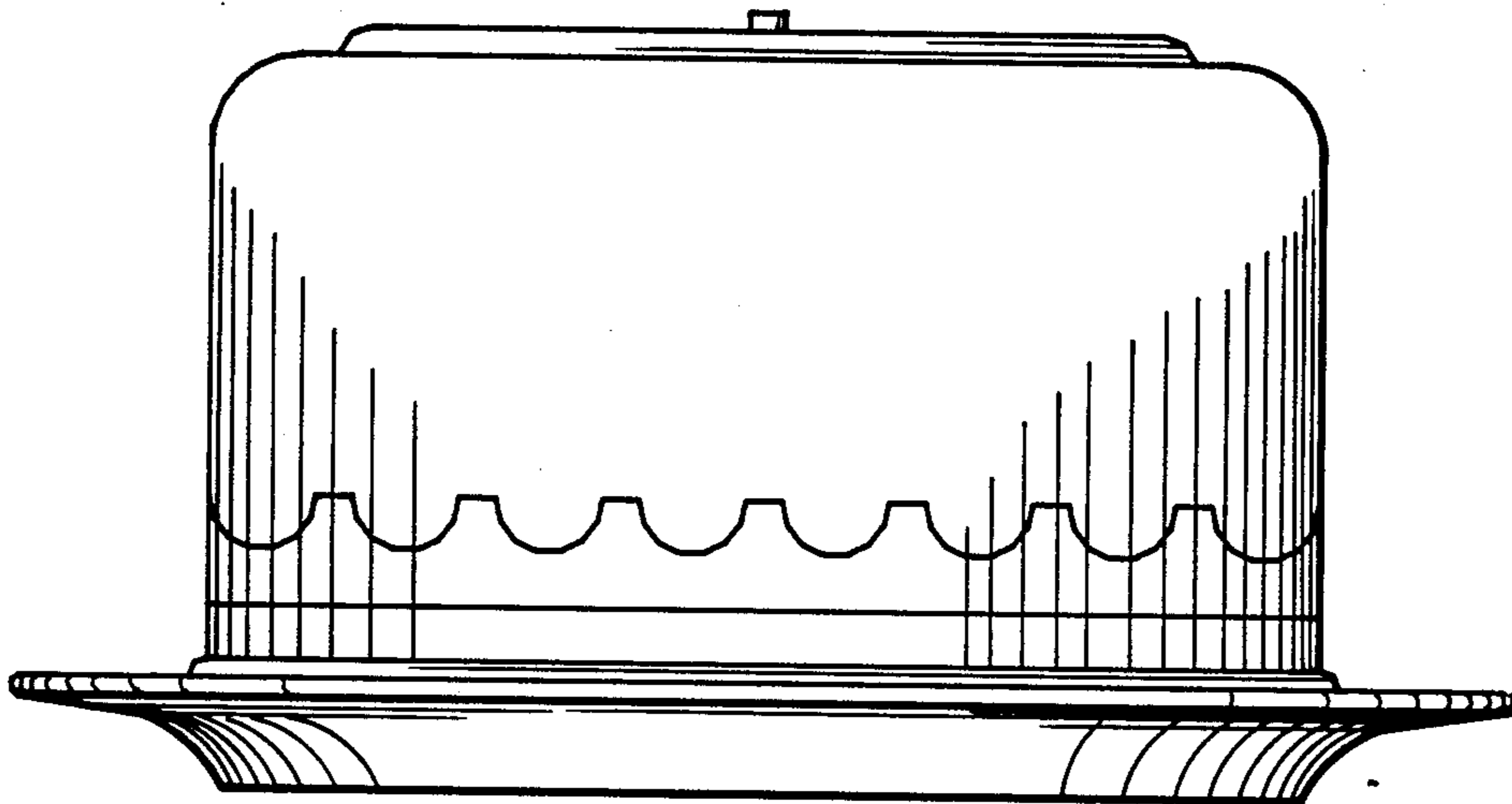
The ornamental design for a celebration cake cover, as shown and described.

[22] Filed: Jan. 11, 1988

DESCRIPTION

[52] U.S. Cl. D7/610; 206/45.32
[58] Field of Search D7/83, 16, 17, 23;
D26/9, 10, 12; 431/288-298, 125-126;
206/45.32, 45.34, 551; 312/280, 284

FIG. 1 is a front elevational view of a celebration cake cover showing our new design;
FIG. 2 is a cross-sectional view taken along line 2—2 of FIG. 1;
FIG. 3 is a top plan view thereof; and,
FIG. 4 is a bottom plan view thereof.



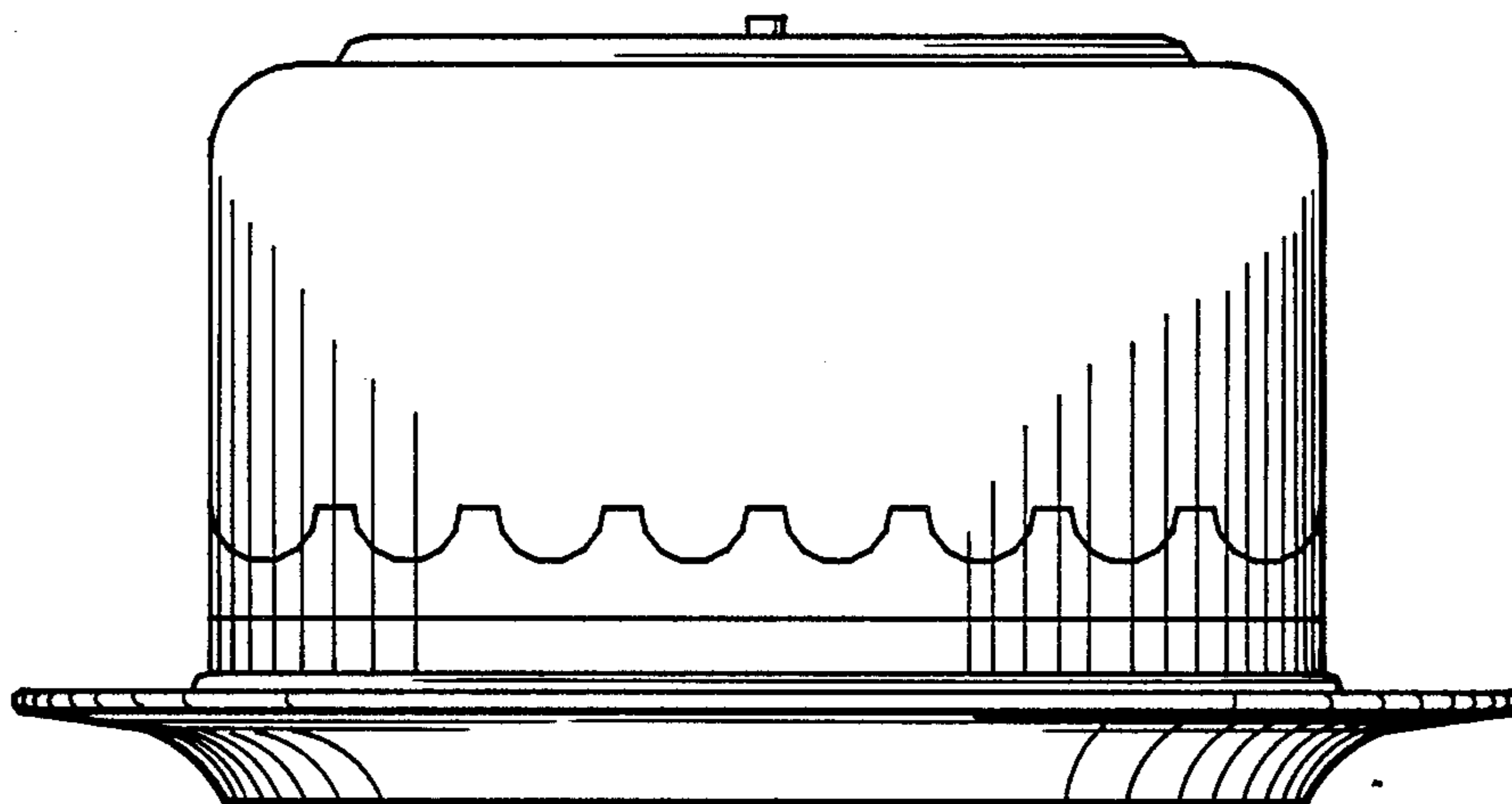


Fig. 1

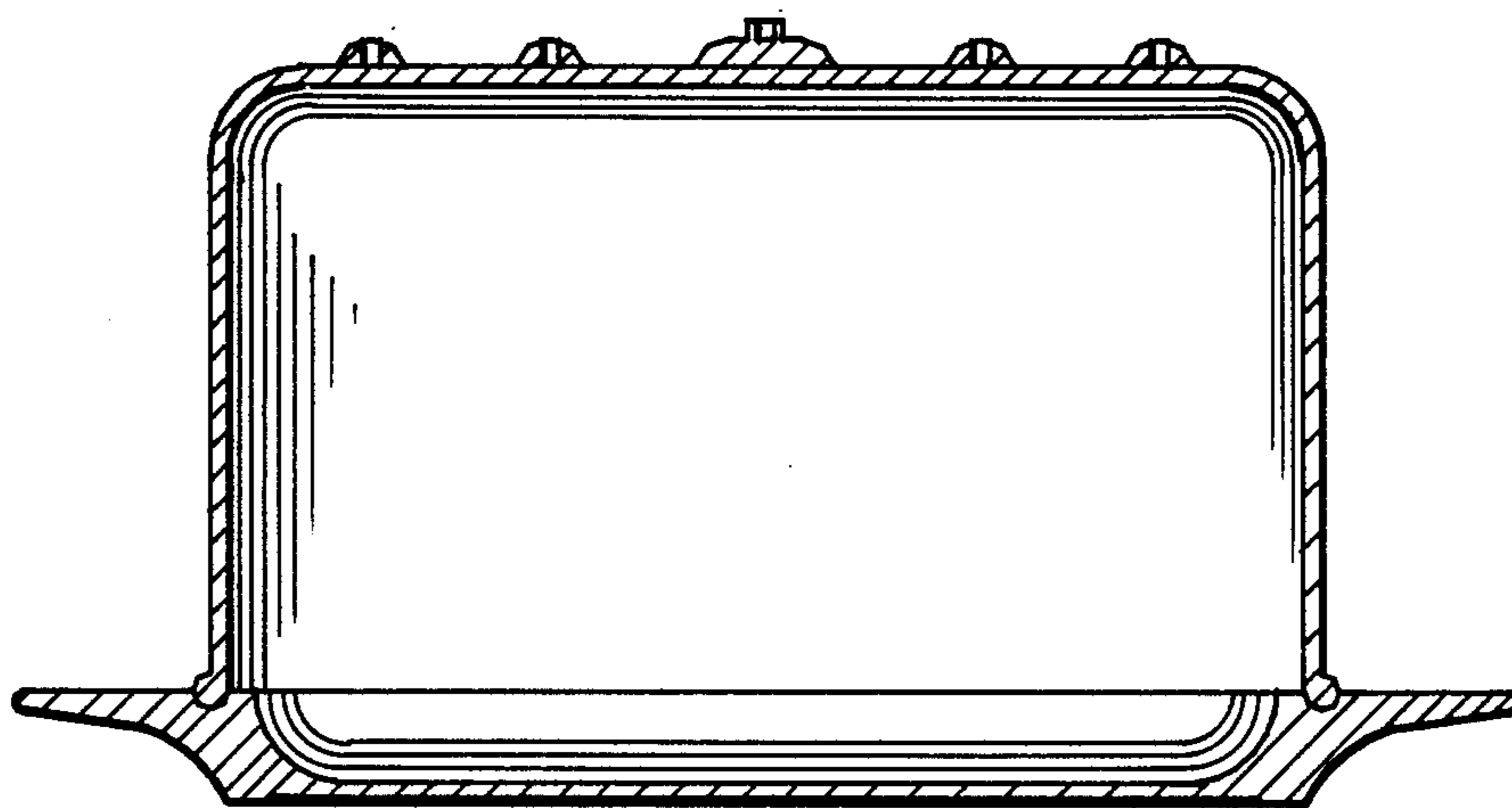


Fig. 2

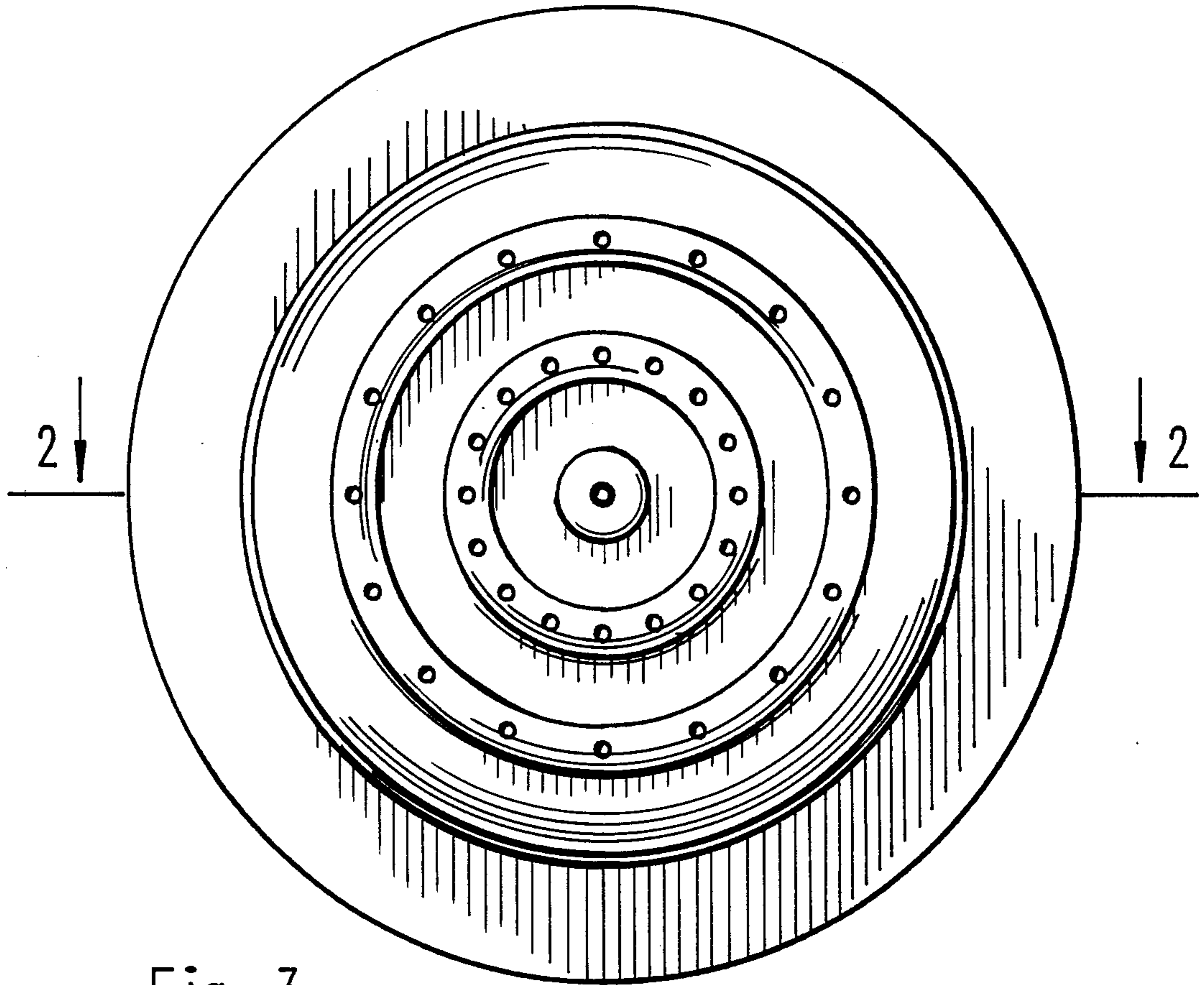


Fig. 3

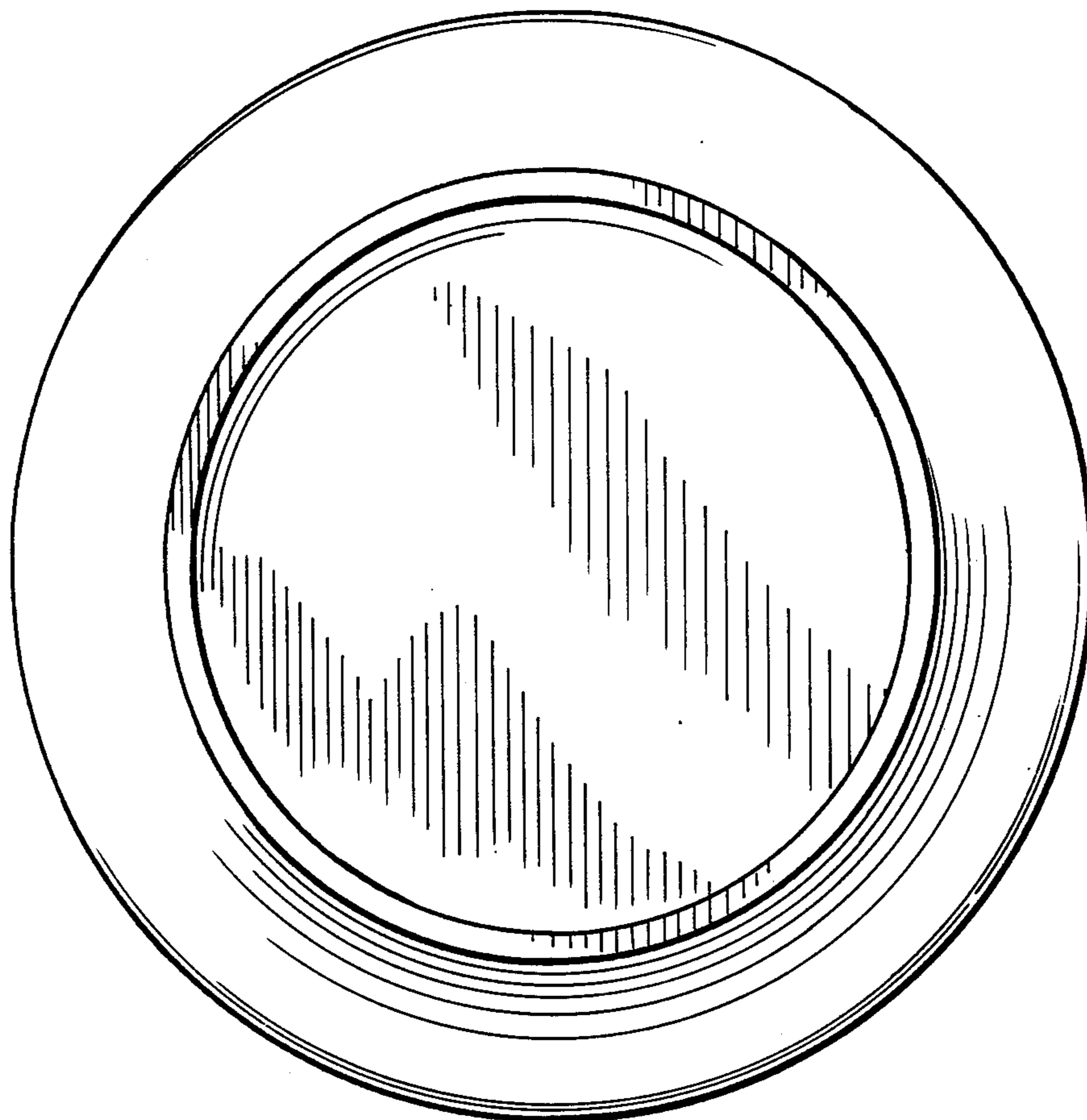


Fig. 4