

United States Patent [19]

Provencher

[11] **Patent Number: Des. 307,219**

[45] **Date of Patent: ** Apr. 17, 1990**

[54] **BENCH SEAT**

[76] **Inventor: George Provencher, 4391 Casa Oro, Yorba Linda, Calif. 92686**

[**] **Term: 14 Years**

[21] **Appl. No.: 924,510**

[22] **Filed: Oct. 29, 1986**

[52] **U.S. Cl. D6/381; D6/362**

[58] **Field of Search D6/337, 349, 381, 371, D6/362; 297/232, 452, 157, 158, 450**

[56] **References Cited**

U.S. PATENT DOCUMENTS

D. 185,540 6/1959 Everly D6/370

327,722 10/1885 Rodgers 297/158
3,171,685 3/1965 Hershberger et al. 297/158

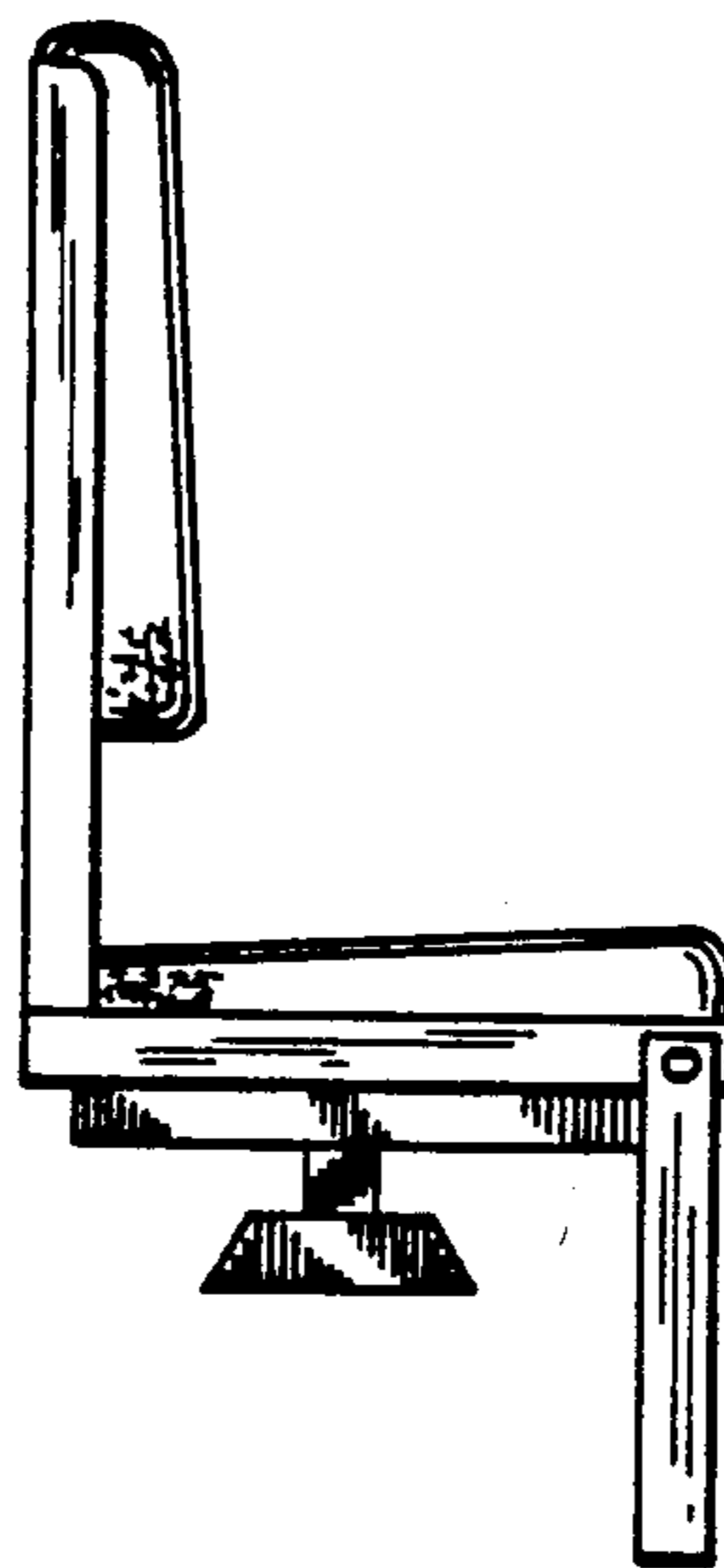
Primary Examiner—Nelson C. Holtje
Assistant Examiner—Ann Hunt
Attorney, Agent, or Firm—Lynn & Lynn

[57] **CLAIM**

The ornamental design for a bench seat, as shown and described.

DESCRIPTION

FIG. 1 is a front perspective view of the bench seat showing my new design;
FIG. 2 is an end elevational view;
FIG. 3 is a rear perspective view; and
FIG. 4 is a bottom perspective view thereof.



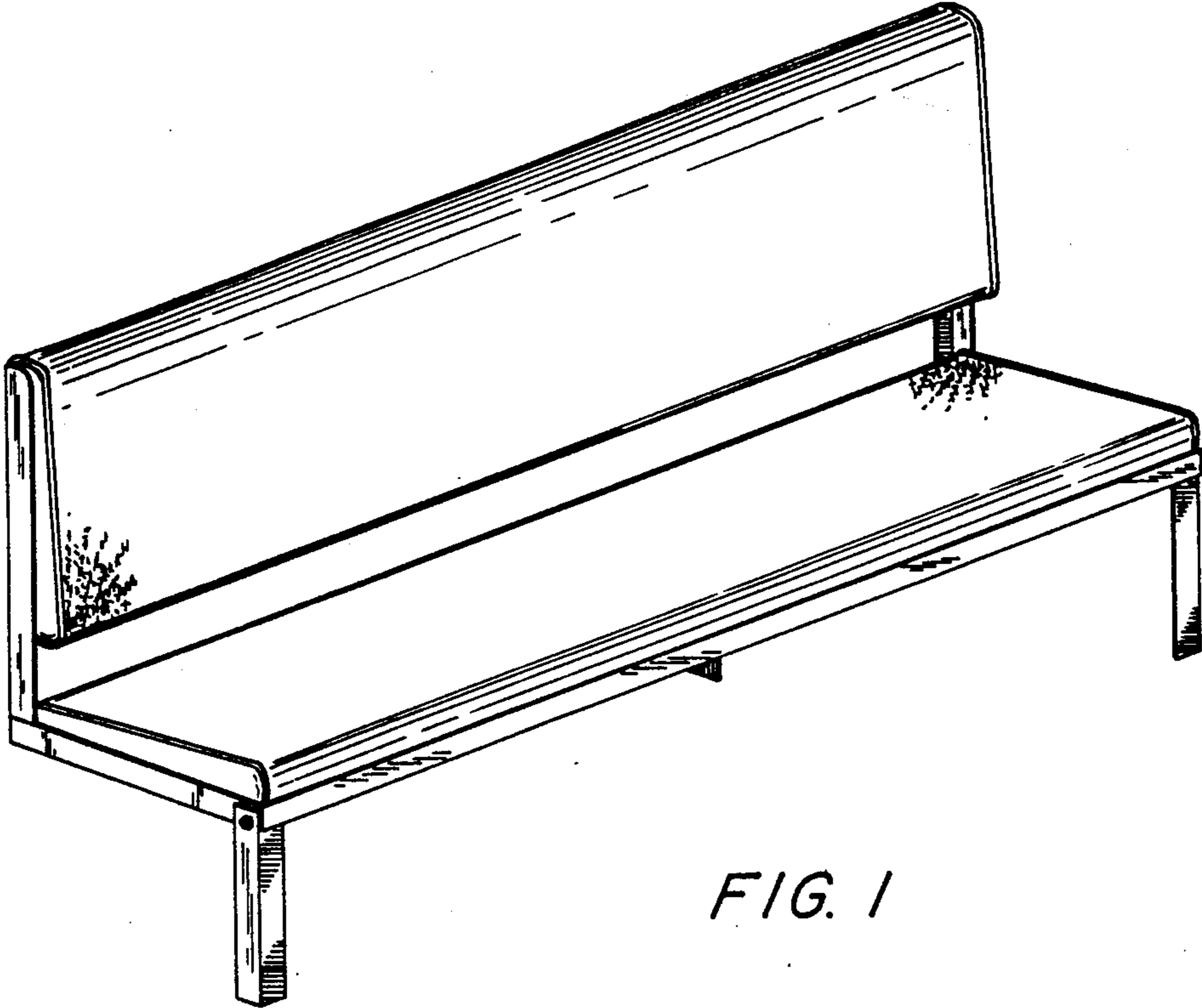


FIG. 1

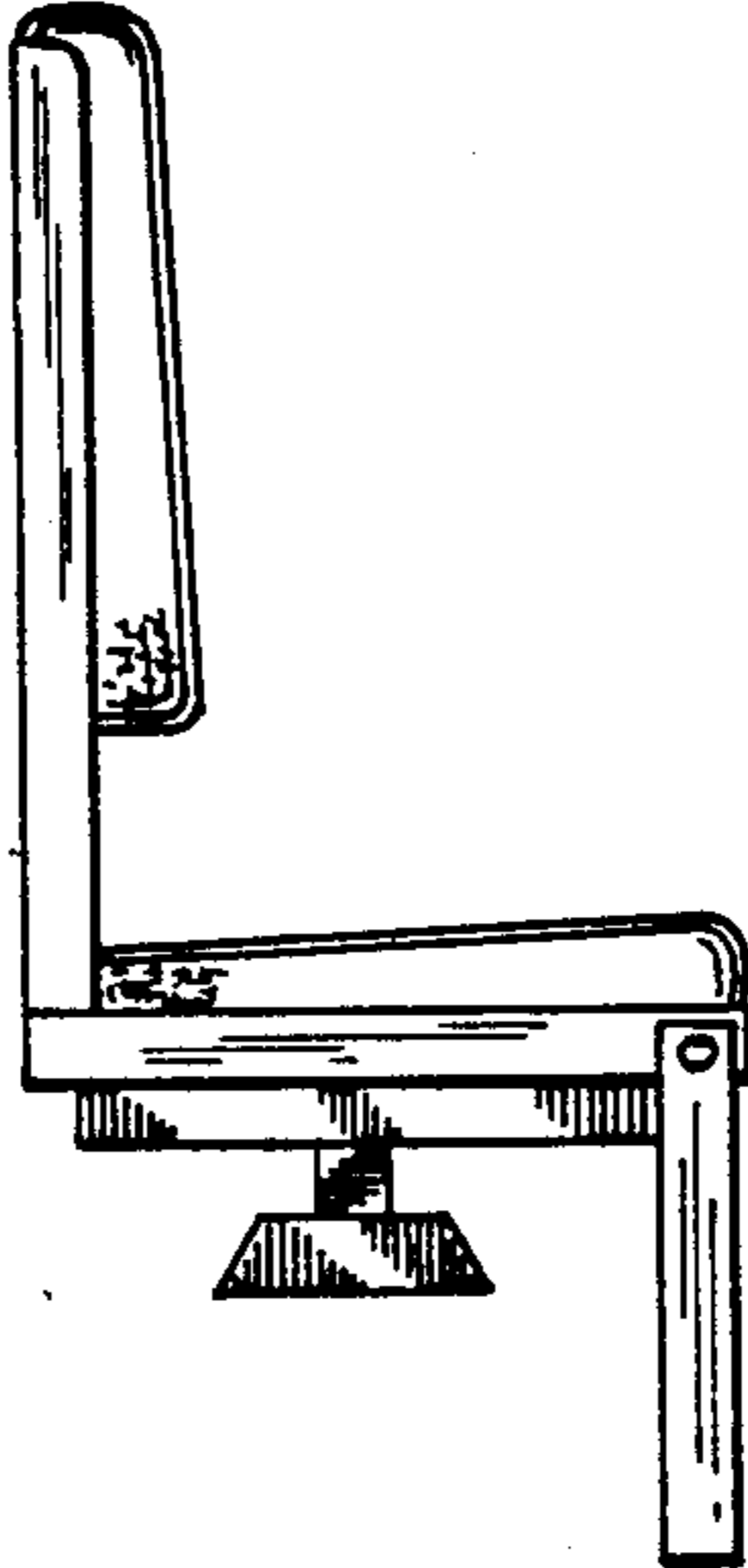


FIG. 2

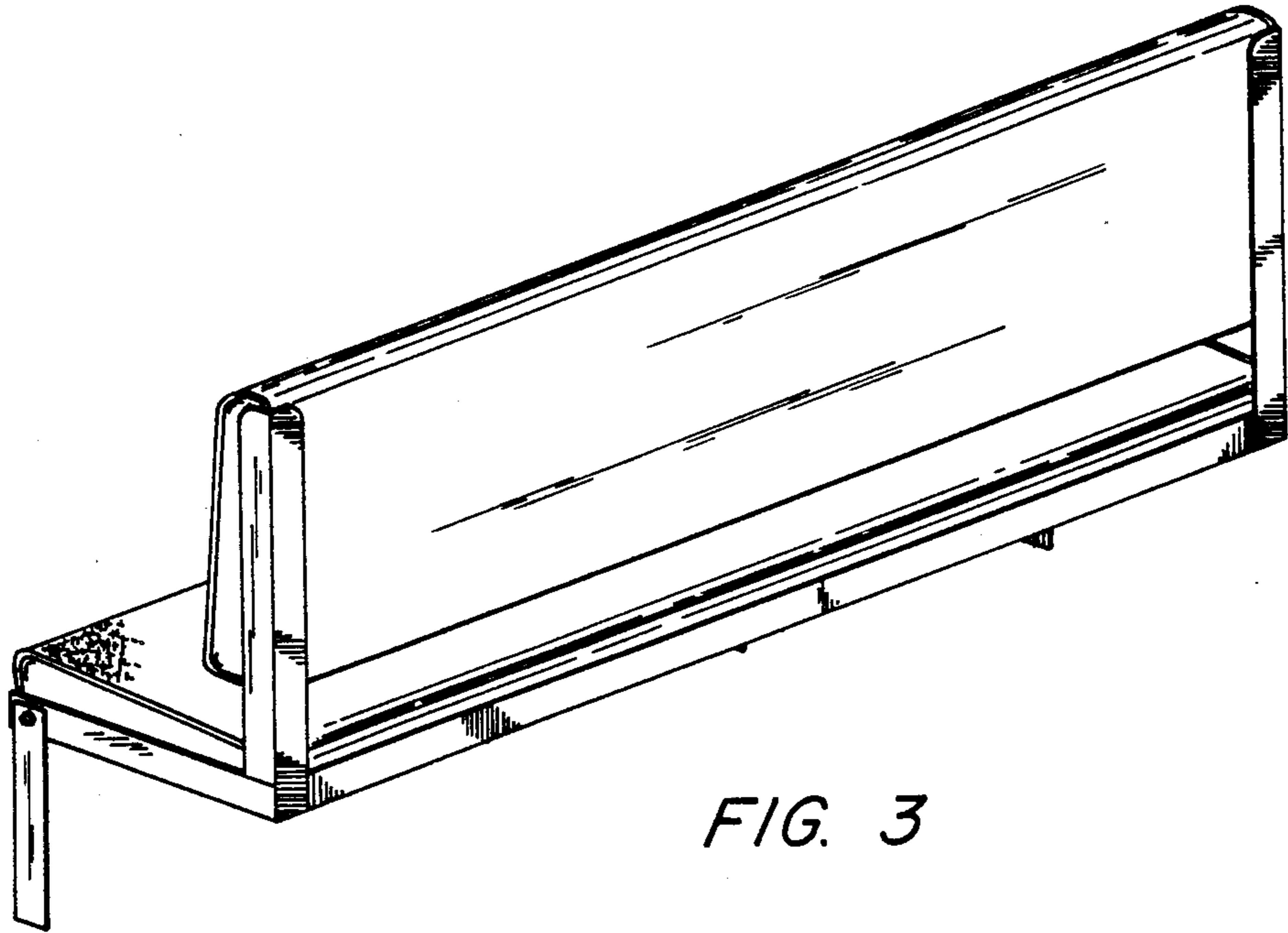


FIG. 3

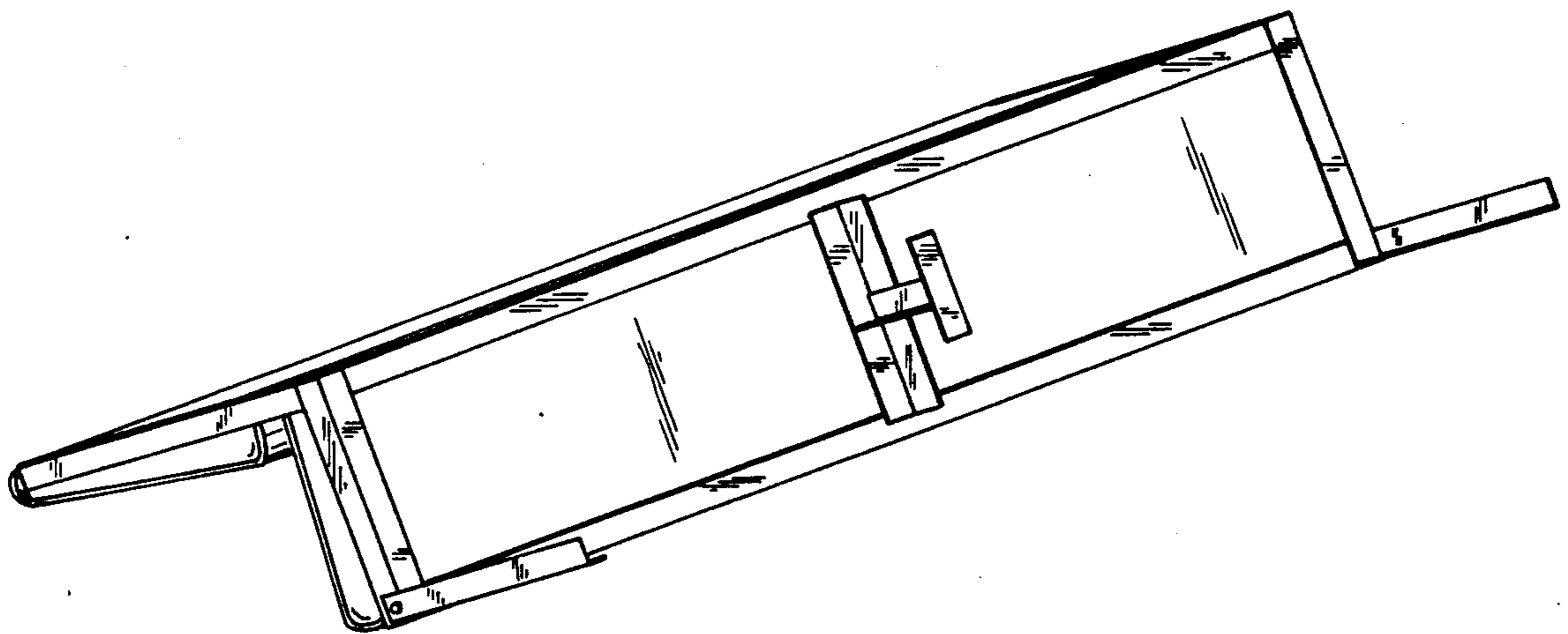


FIG. 4