

[54] POWER DRIVEN SHOE BRUSH

[75] Inventor: John S. Yuen, Kowloon, Hong Kong

[73] Assignee: John Manufacturing Limited, Kowloon, Hong Kong

[**] Term: 14 Years

[21] Appl. No.: 89,254

[22] Filed: Aug. 25, 1987

[30] Foreign Application Priority Data

Jun. 24, 1987 [GB] United Kingdom 1043068

[52] U.S. Cl. D4/102; D4/127; D32/14.1

[58] Field of Search D4/100-102, D4/127, 135; D32/1, 14.1, 17; 15/23-24, 97 R, 97 A, 209 R, 27-29; 401/268

[56] References Cited

U.S. PATENT DOCUMENTS

D. 51,319 10/1917 Montgomery D4/127

D. 136,952 1/1944 Geigey D4/102
D. 295,342 4/1988 Van Asten D4/102
D. 300,185 3/1989 Suzuki D4/102

FOREIGN PATENT DOCUMENTS

904343 2/1954 Fed. Rep. of Germany 401/268

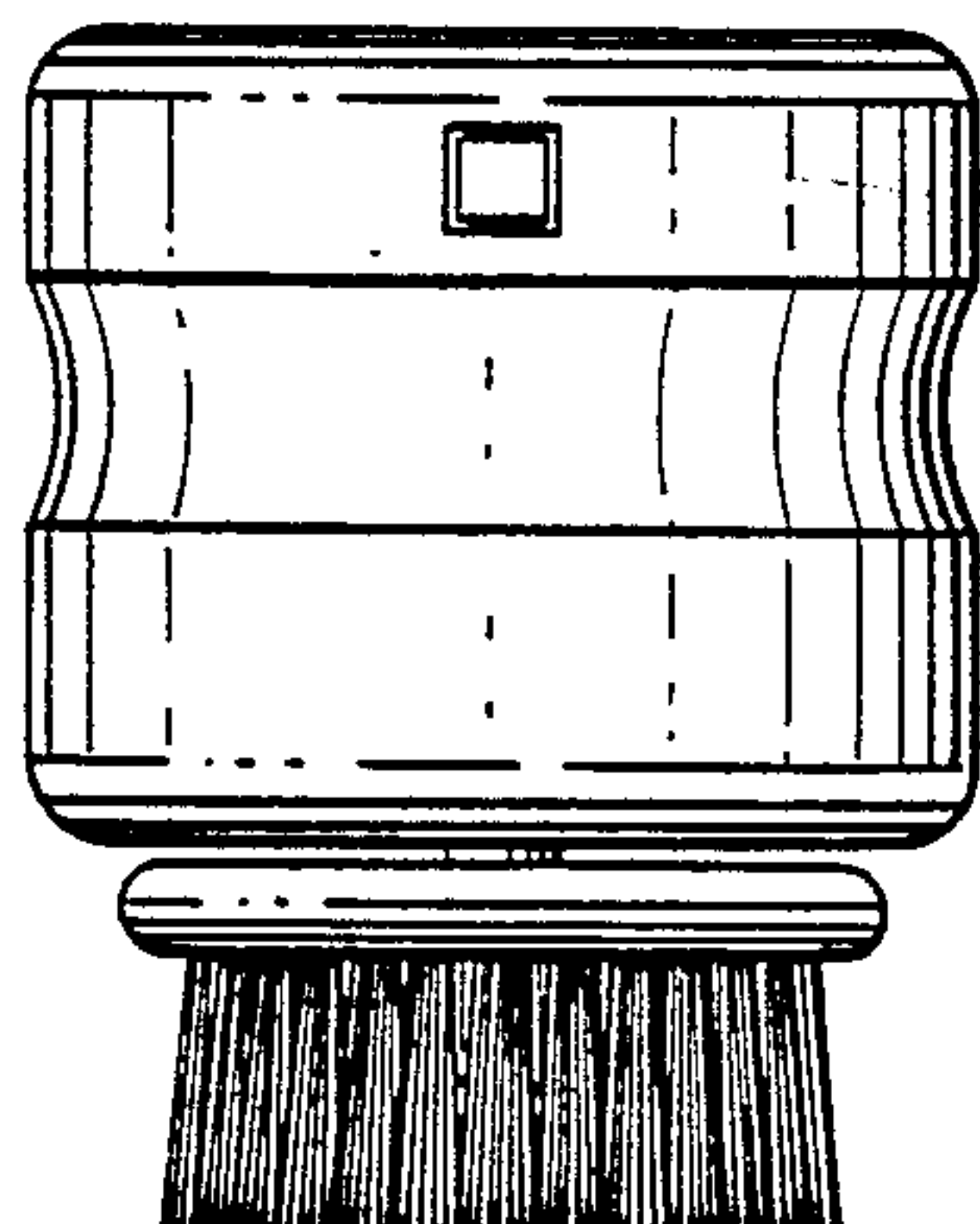
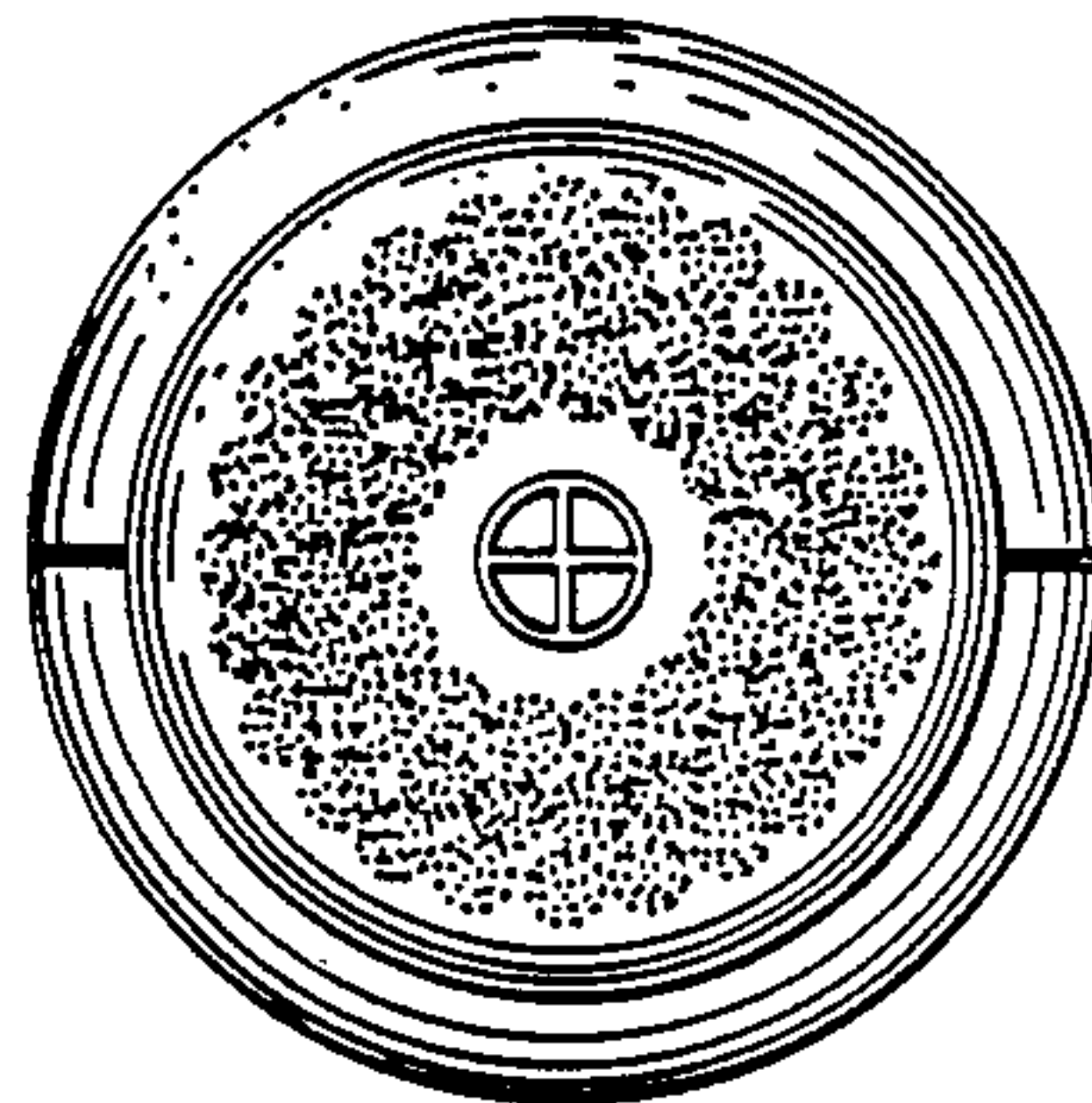
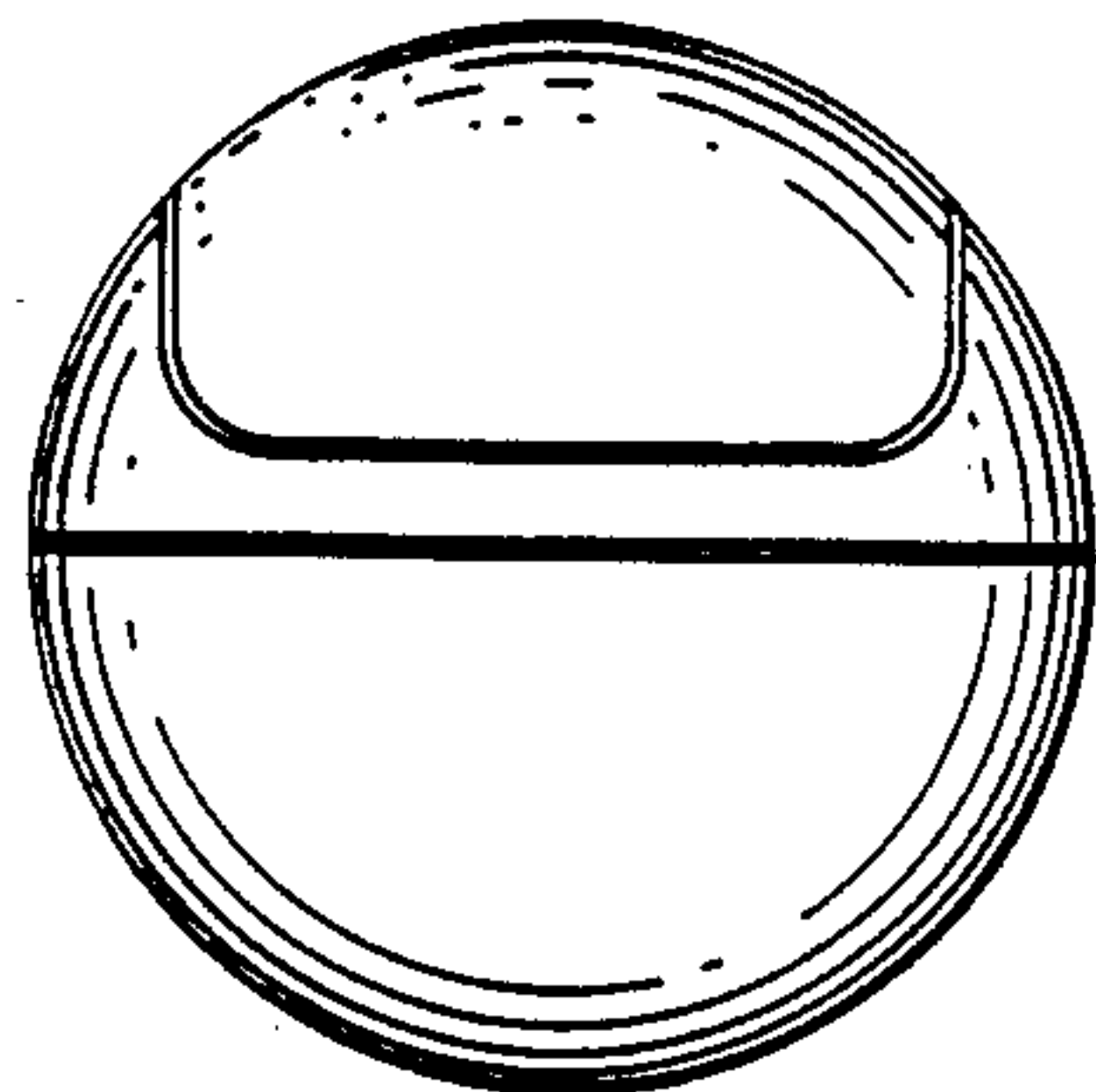
Primary Examiner—Wallace R. Burke
Assistant Examiner—Lavone D. Tabor
Attorney, Agent, or Firm—Fay, Sharpe, Beall, Fagan, Minnich & McKee

[57] CLAIM

The ornamental design for a power driven shoe brush, as shown and described.

DESCRIPTION

FIG. 1 is a top plan view of a power driven shoe brush showing my new design;
FIG. 2 is a bottom plan view thereof;
FIG. 3 is a front elevational view thereof;
FIG. 4 is a rear elevational view thereof;
FIG. 5 is a side elevational view the opposite side being a mirror image thereof.



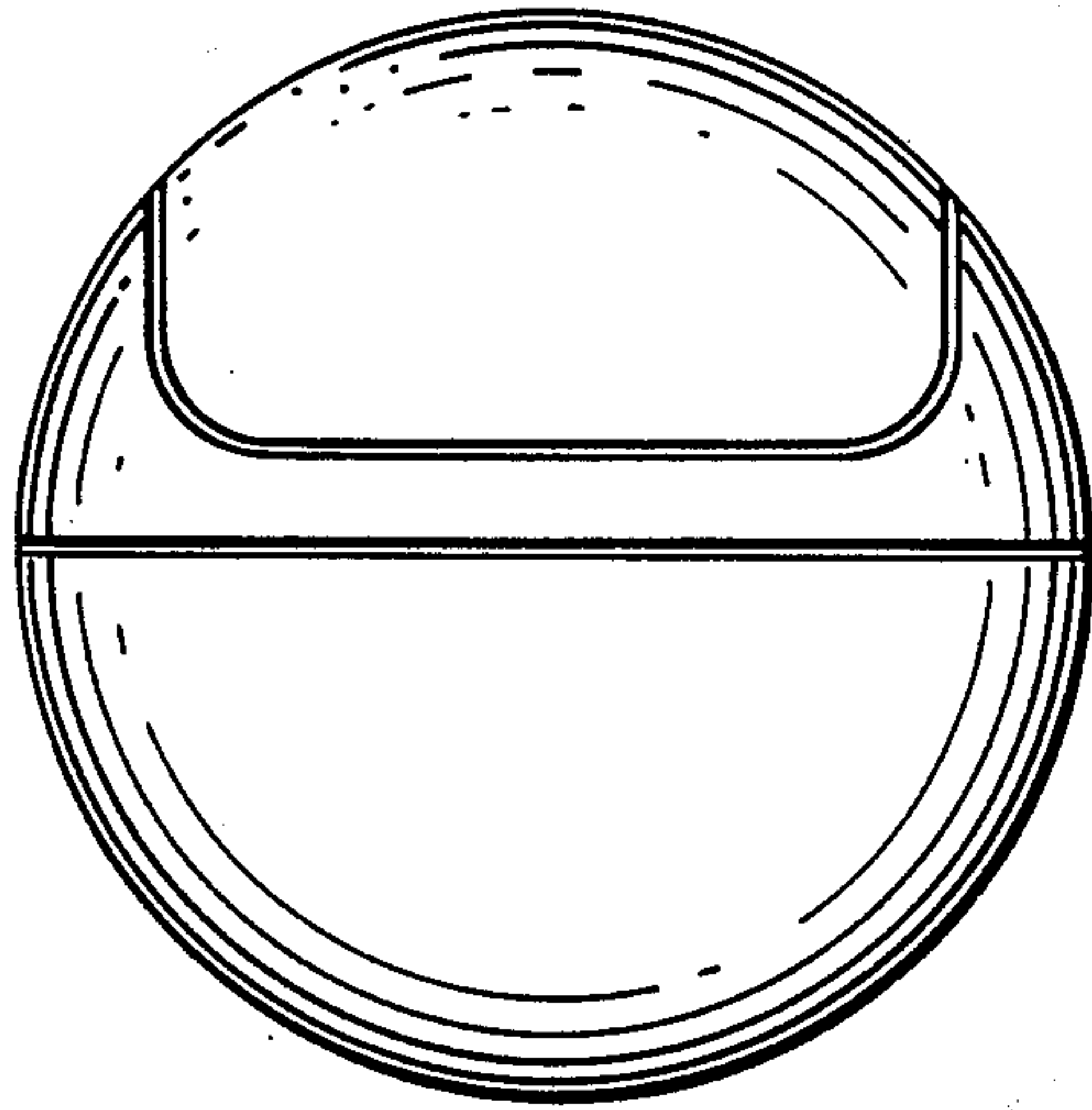


FIG. 1.

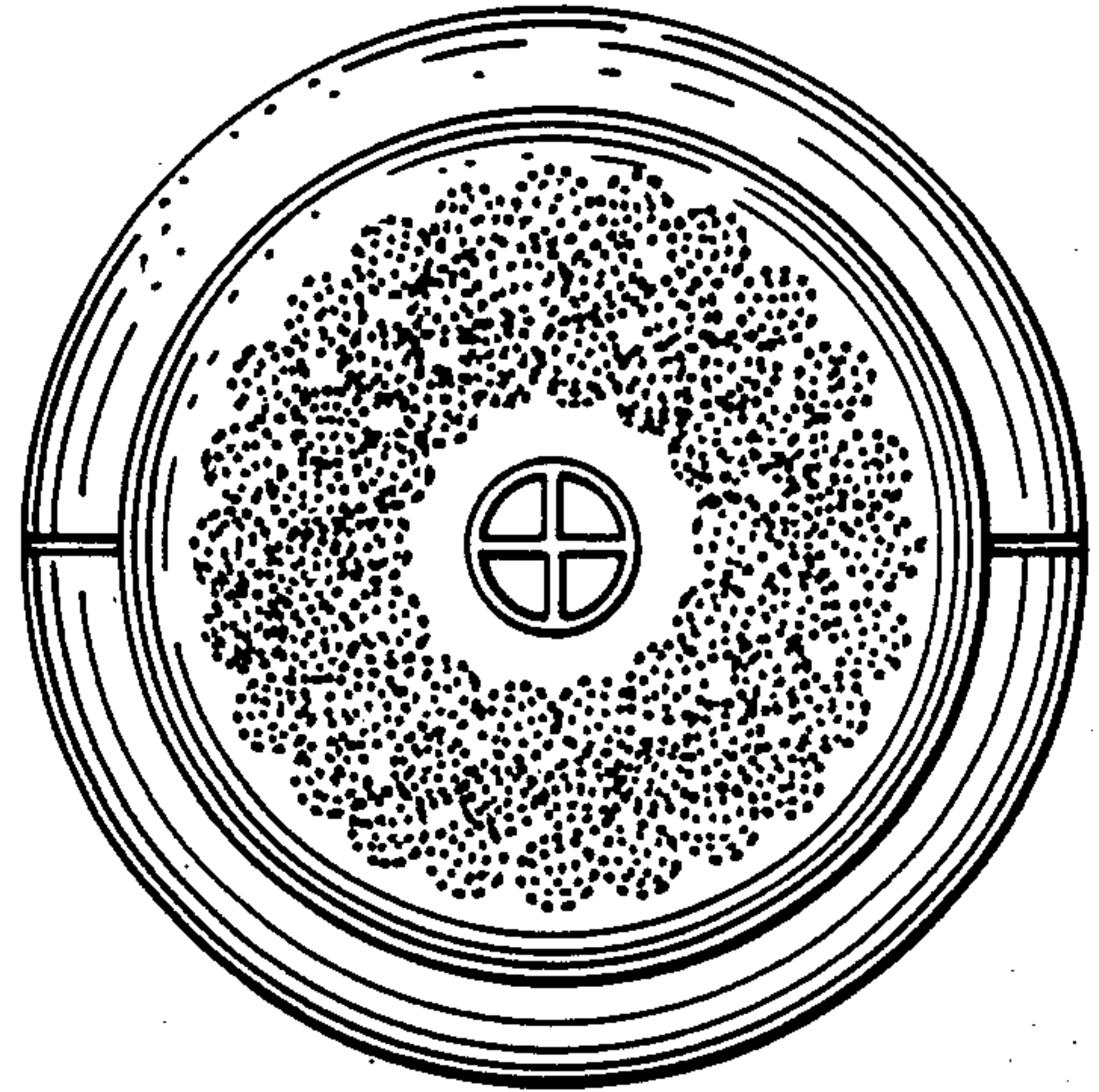


FIG. 2.

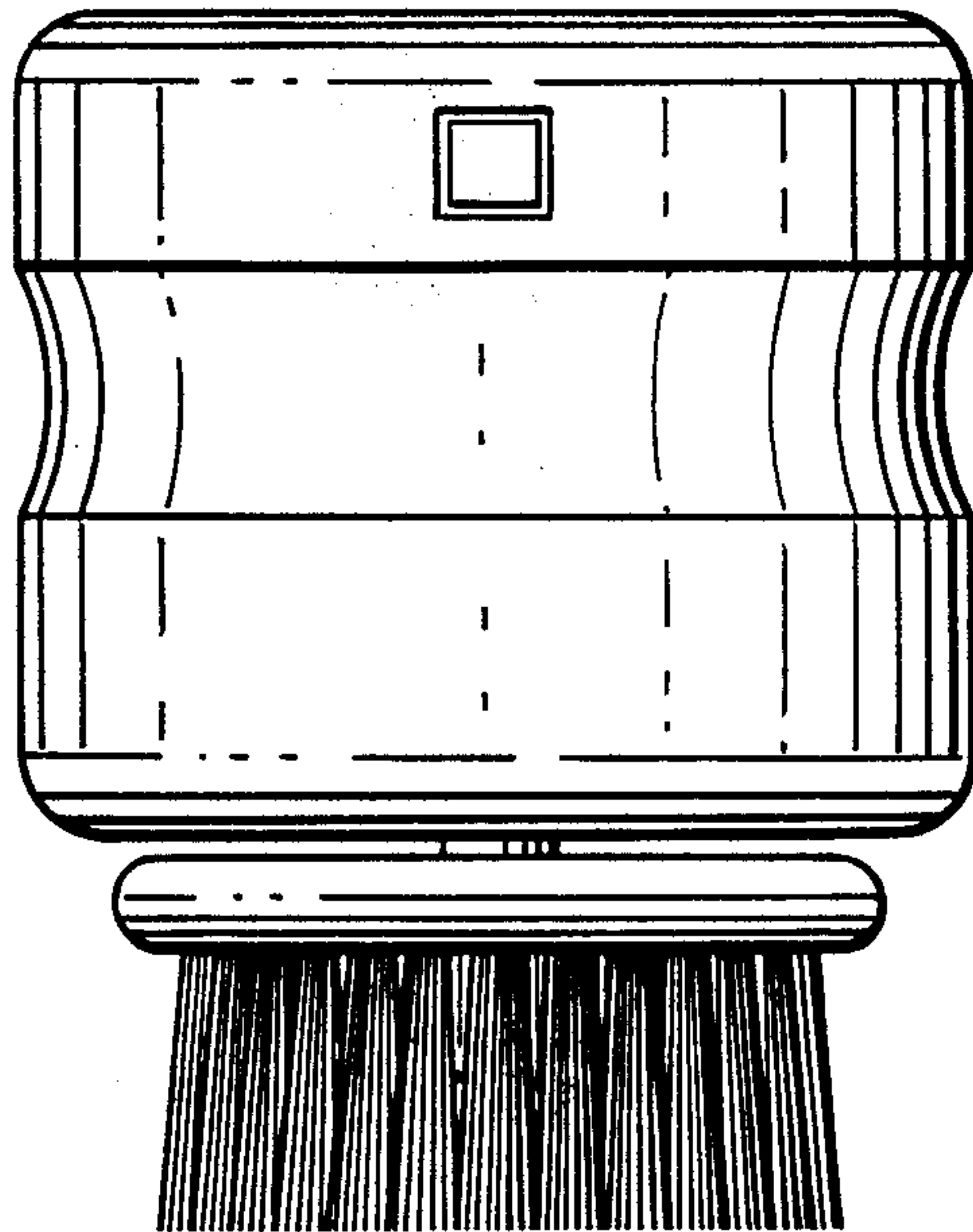


FIG. 3.

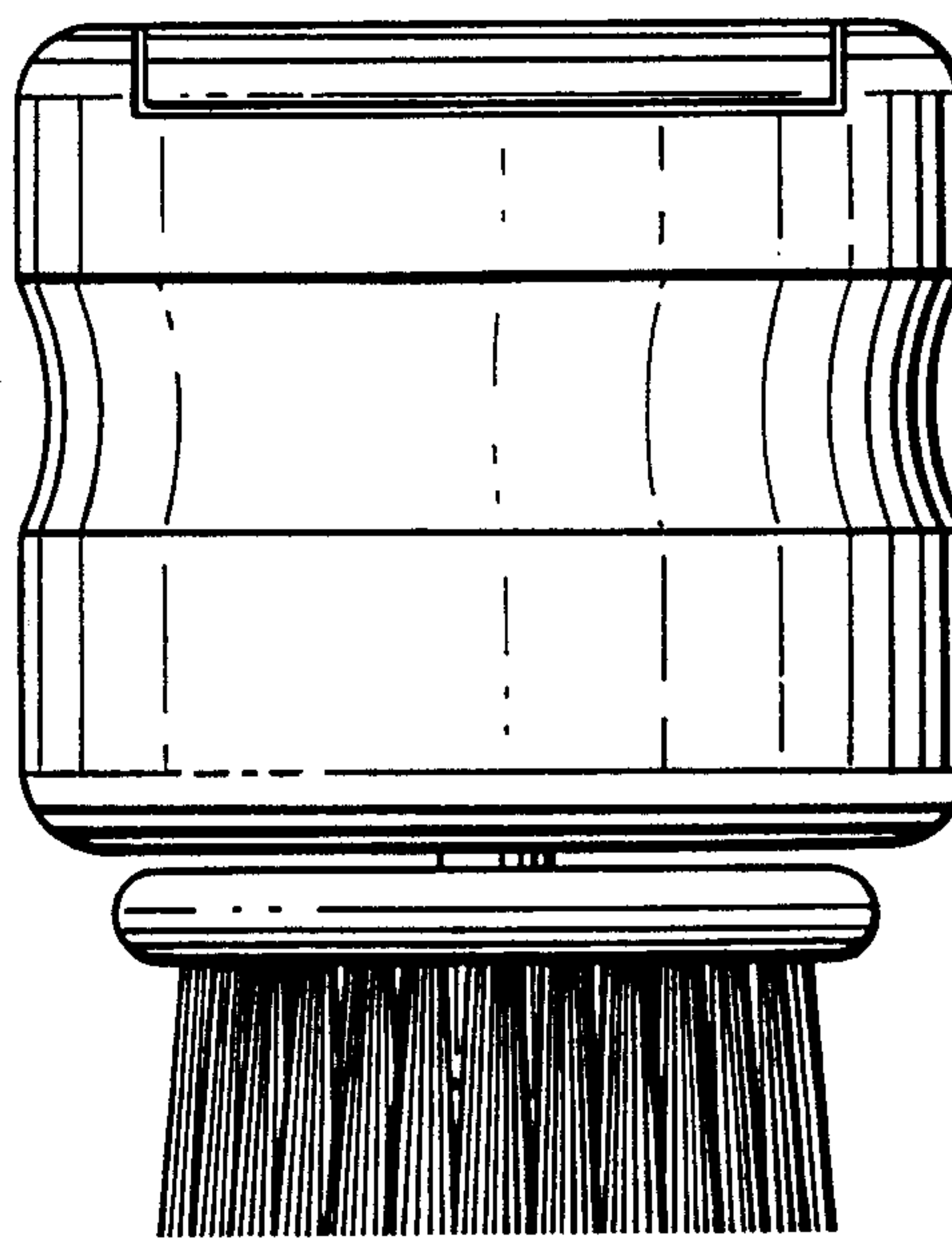


FIG. 4.

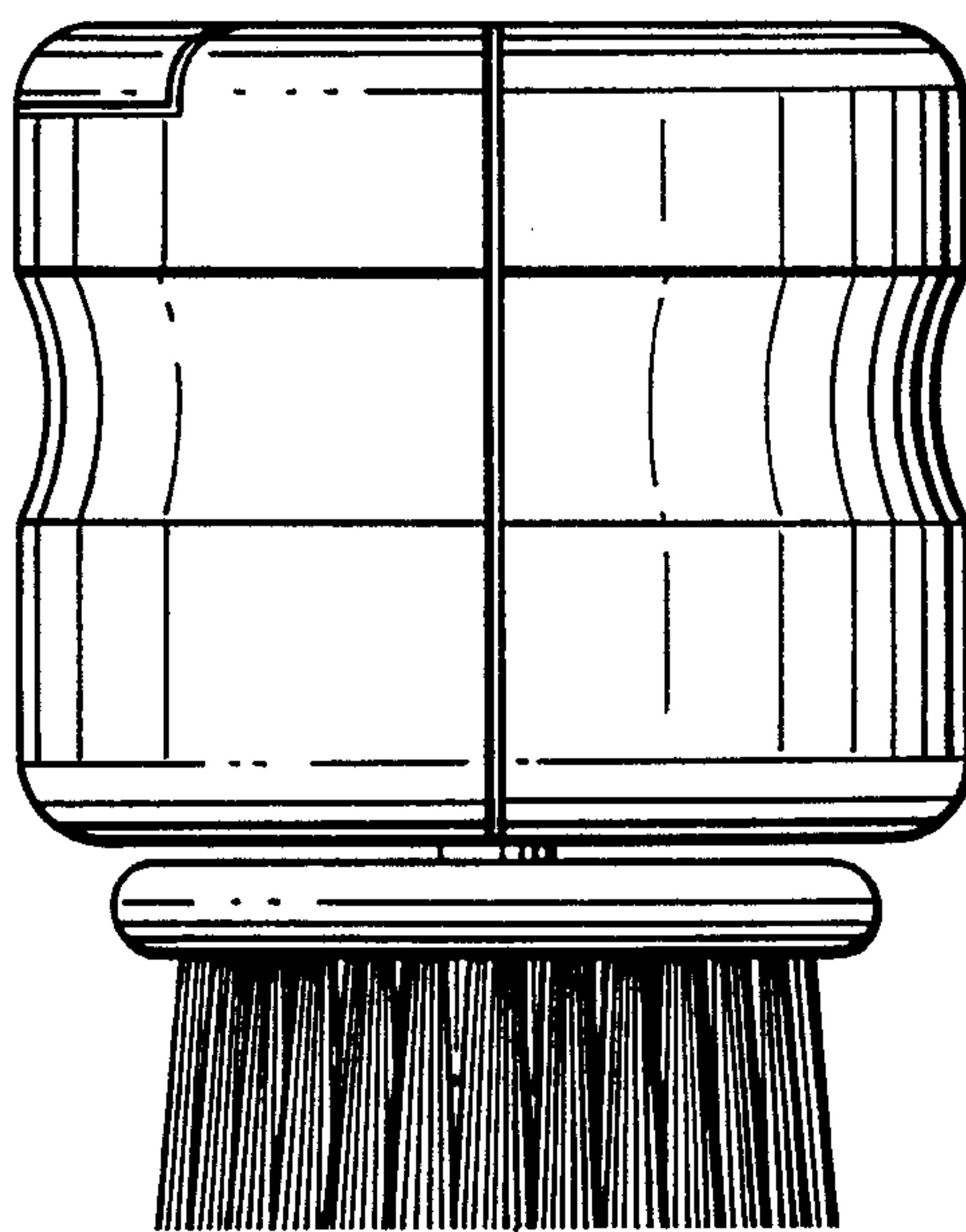


FIG. 5.