

[54] **TRASH CART**

[76] **Inventor:** Allen T. Hemphill, 5822 S. Arlington Ave., Los Angeles, Calif. 90043

[\*\*] **Term:** 14 Years

[21] **Appl. No.:** 52,567

[22] **Filed:** May 21, 1987

[52] **U.S. Cl.** ..... D34/5; D34/7

[58] **Field of Search** ..... D34/1, 5, 6, 7, 11;  
280/47.34, 47.26, 47.24, 62, 79.2, 47.19;  
100/229 A, 226; 220/1 T, 212

[56] **References Cited**

**U.S. PATENT DOCUMENTS**

D. 253,932	1/1980	Mockler	.....	D34/5
1,133,438	3/1915	Hoofnagle	.....	220/1 T
3,179,332	4/1965	Brighton et al.	.....	280/47.26
3,726,211	4/1973	Gladwin	.....	100/229 A
4,258,857	3/1981	McGee	.....	220/212

**FOREIGN PATENT DOCUMENTS**

3516101 11/1986 Fed. Rep. of Germany ..... 220/1 T

*Primary Examiner*—Wallace R. Burke

*Assistant Examiner*—Kay H. Chin

*Attorney, Agent, or Firm*—Jerry T. Kearns

[57] **CLAIM**

The ornamental design for a trash cart, as shown and described.

**DESCRIPTION**

FIG. 1 is a front elevational view of a trash cart showing my new design;

FIG. 2 is a rear elevational view thereof;

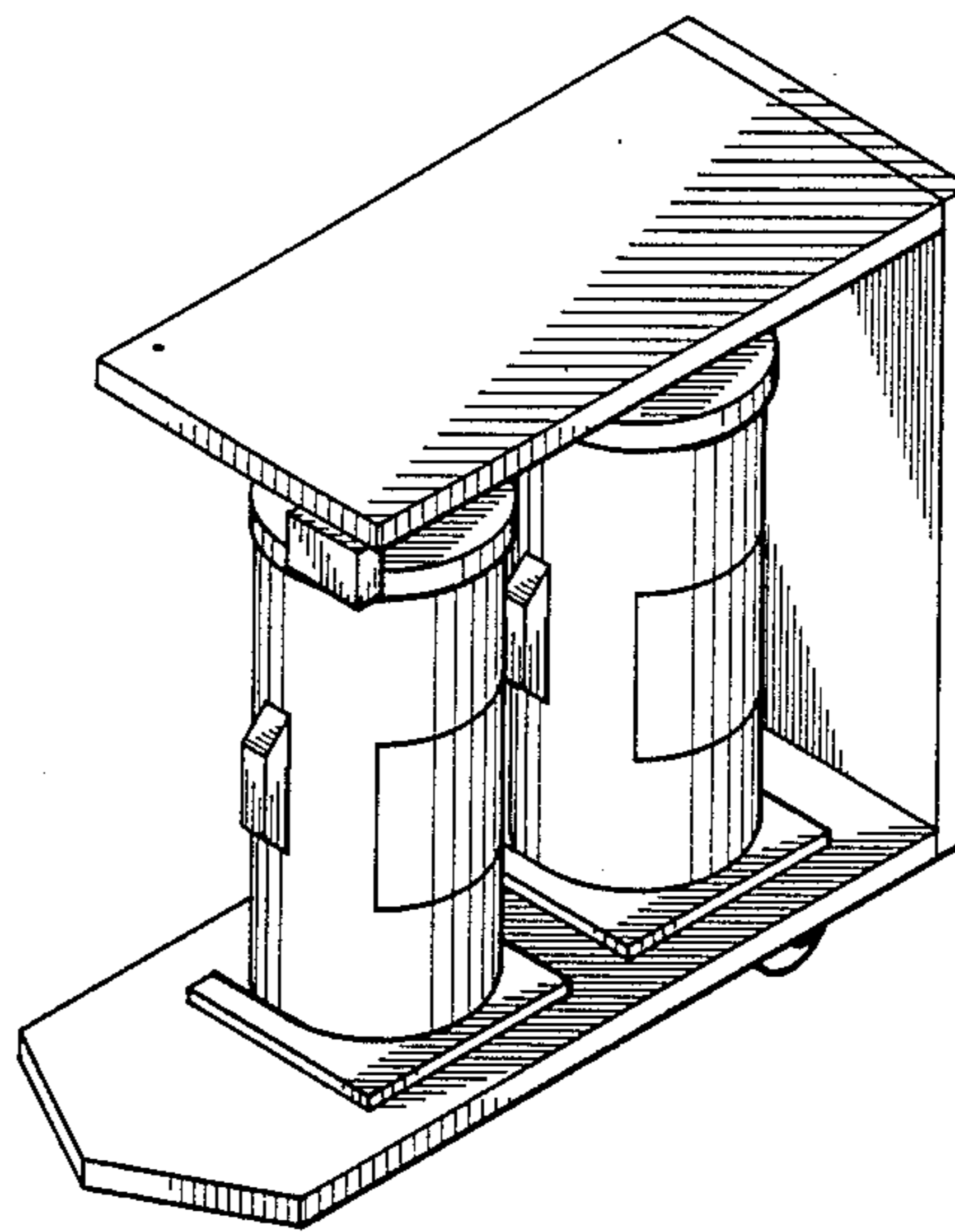
FIG. 3 is a left side elevational view thereof;

FIG. 4 is a right side elevational view thereof;

FIG. 5 is a top plan view thereof;

FIG. 6 is a bottom plan view thereof; and,

FIG. 7 is a perspective view thereof.



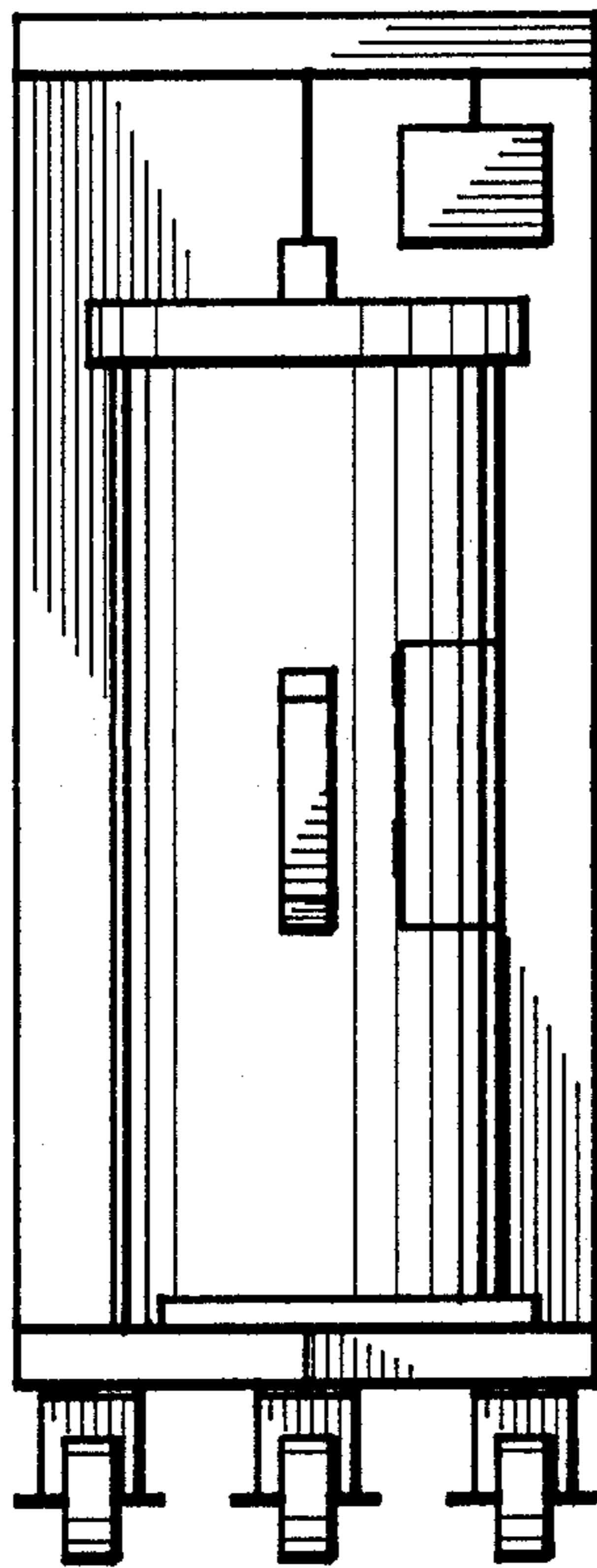


Fig. 1

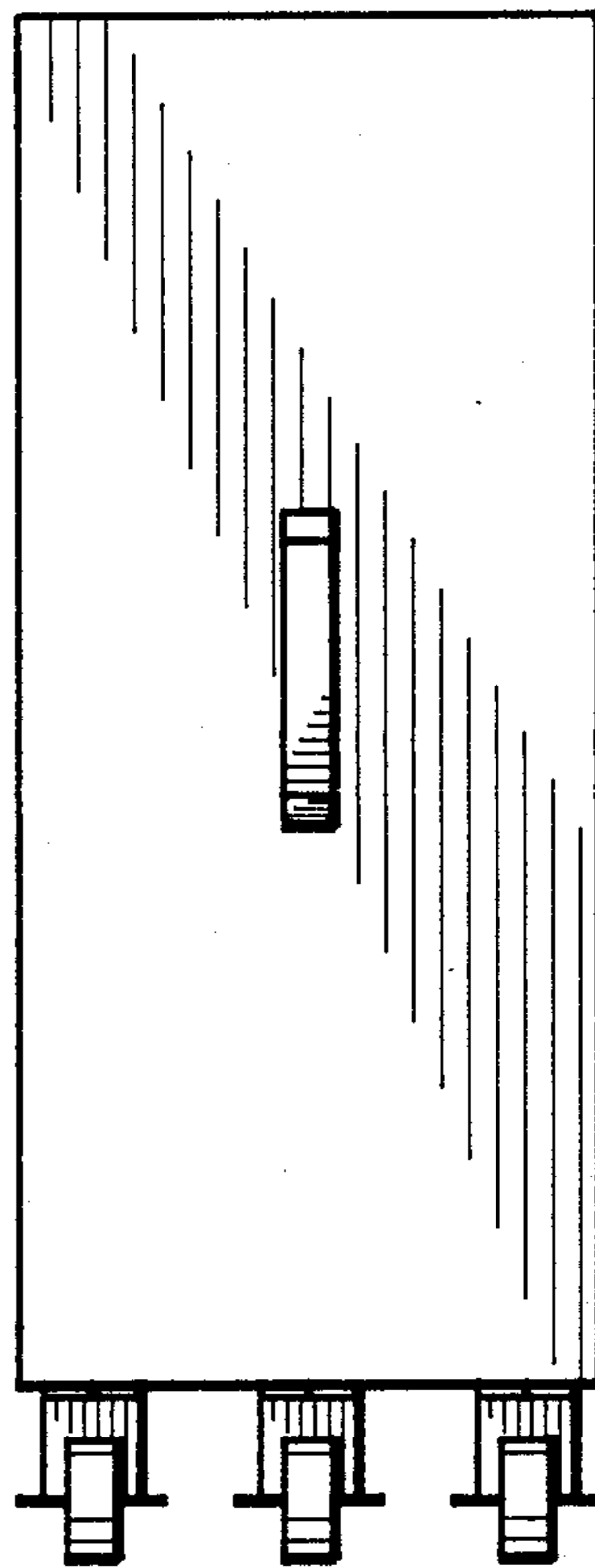


Fig. 2

Fig. 3

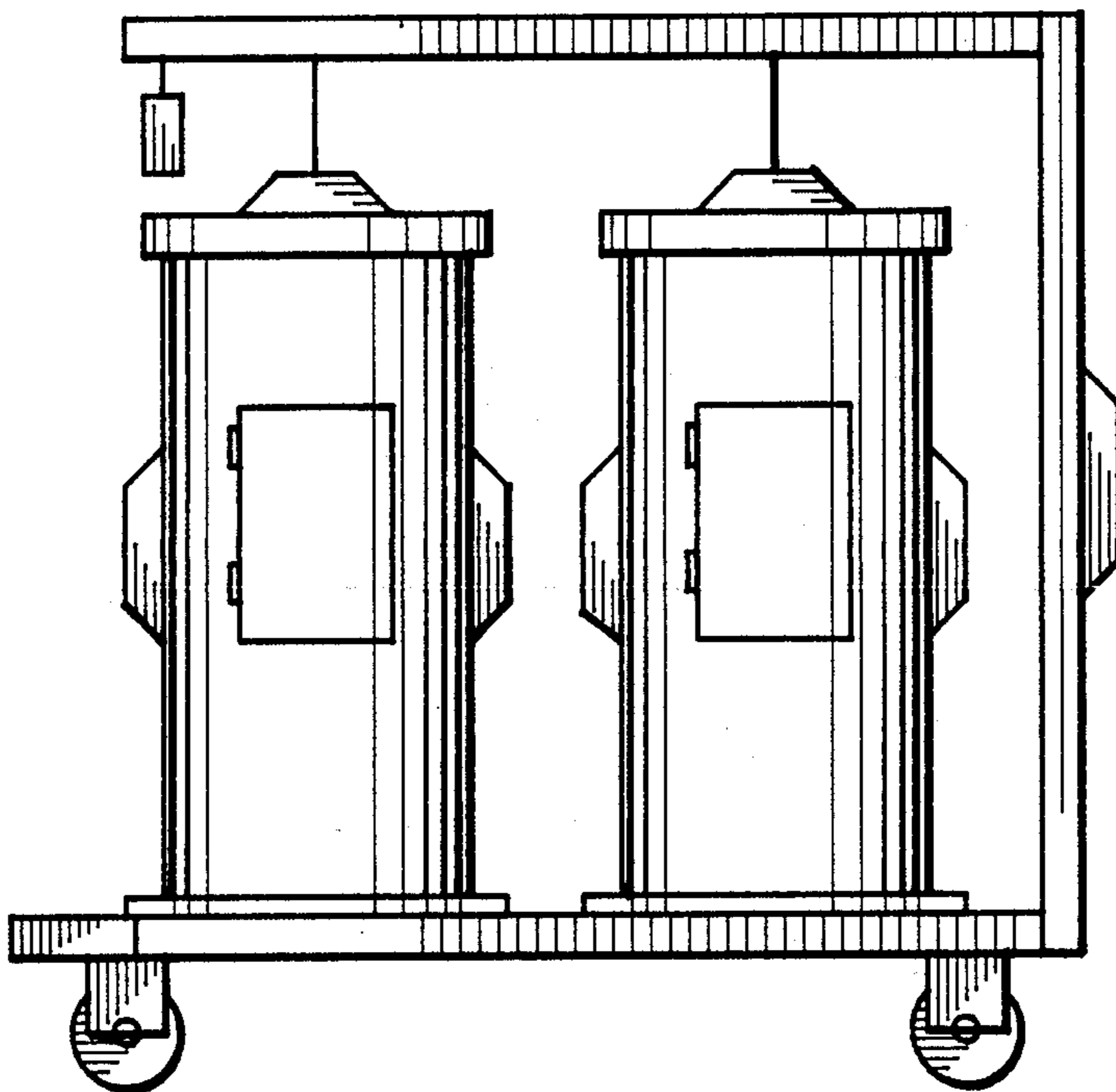
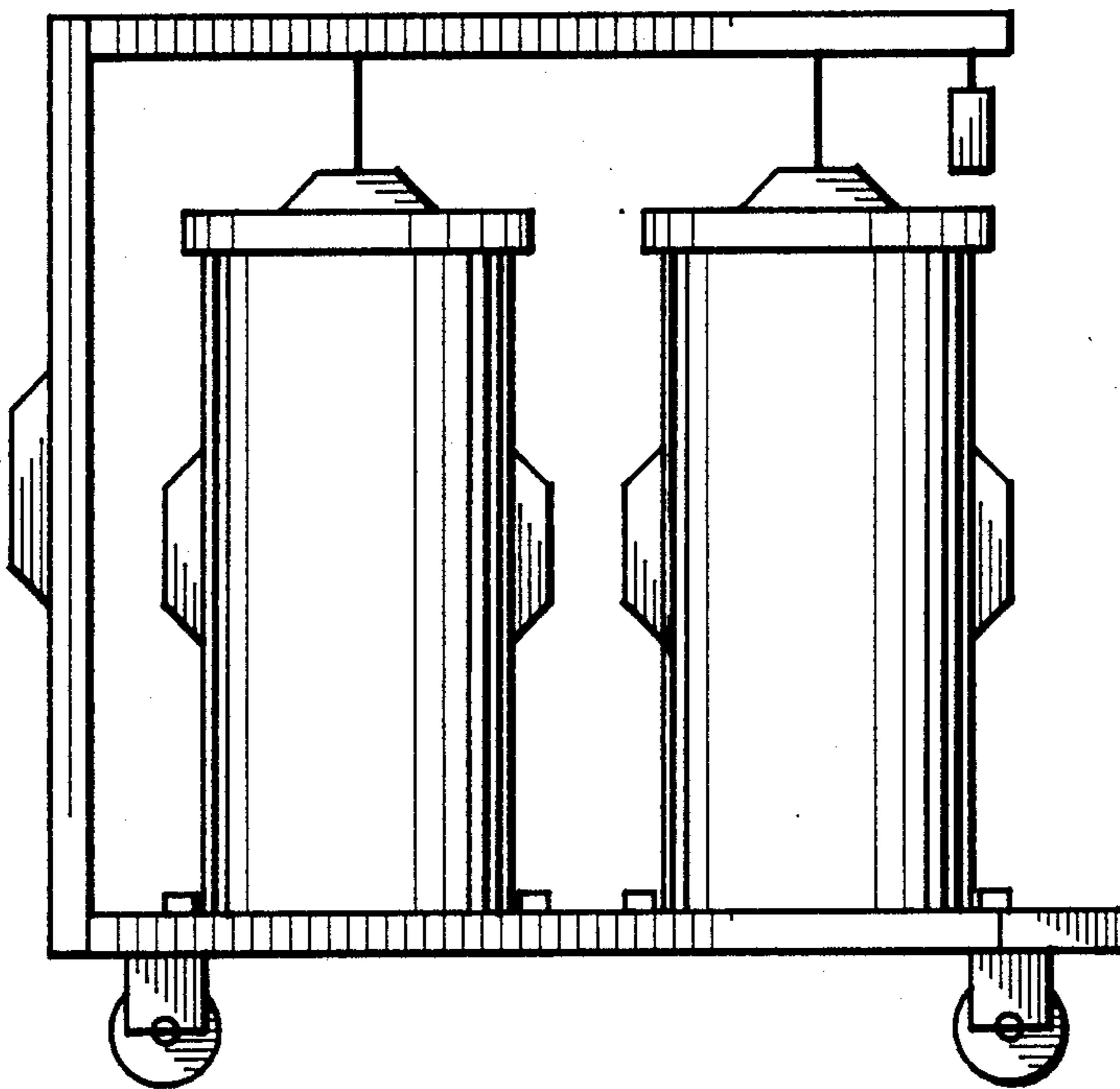


Fig. 4



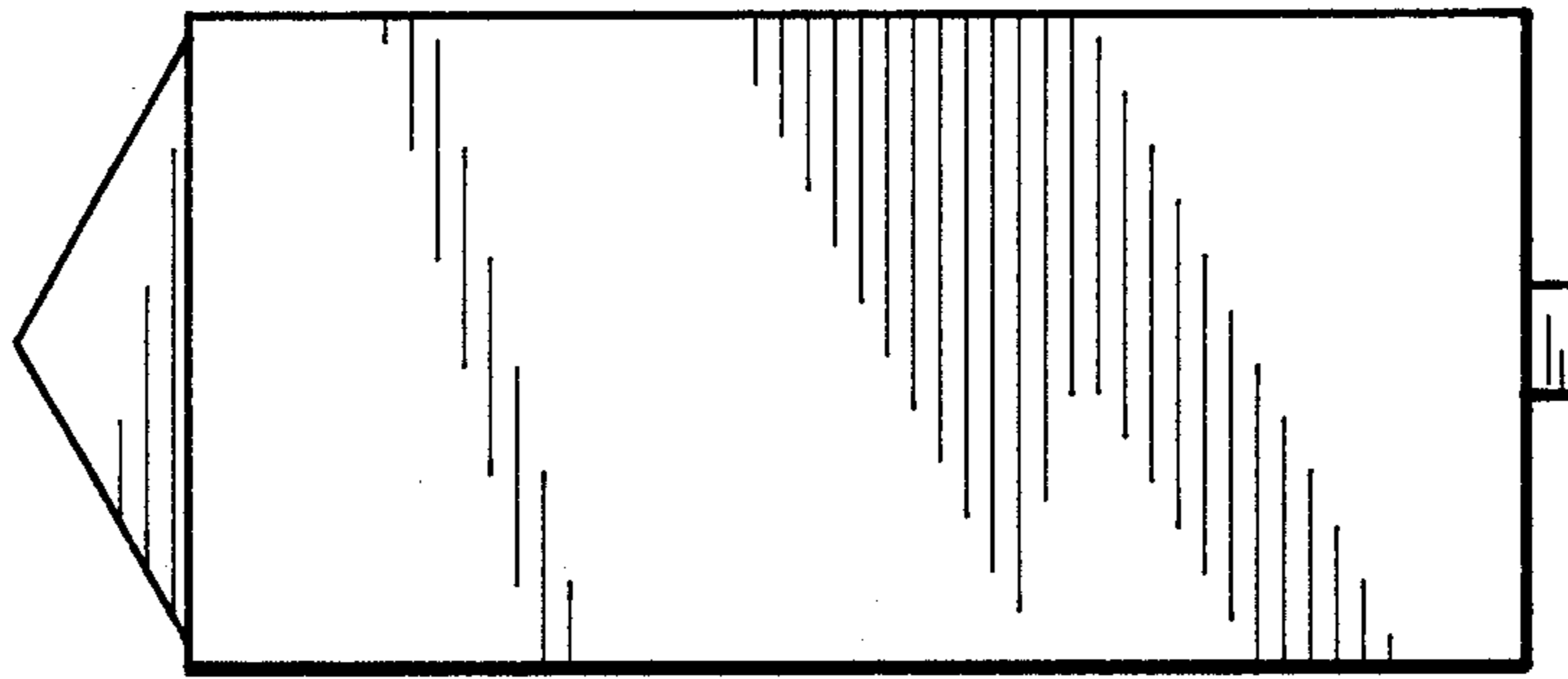


Fig. 5

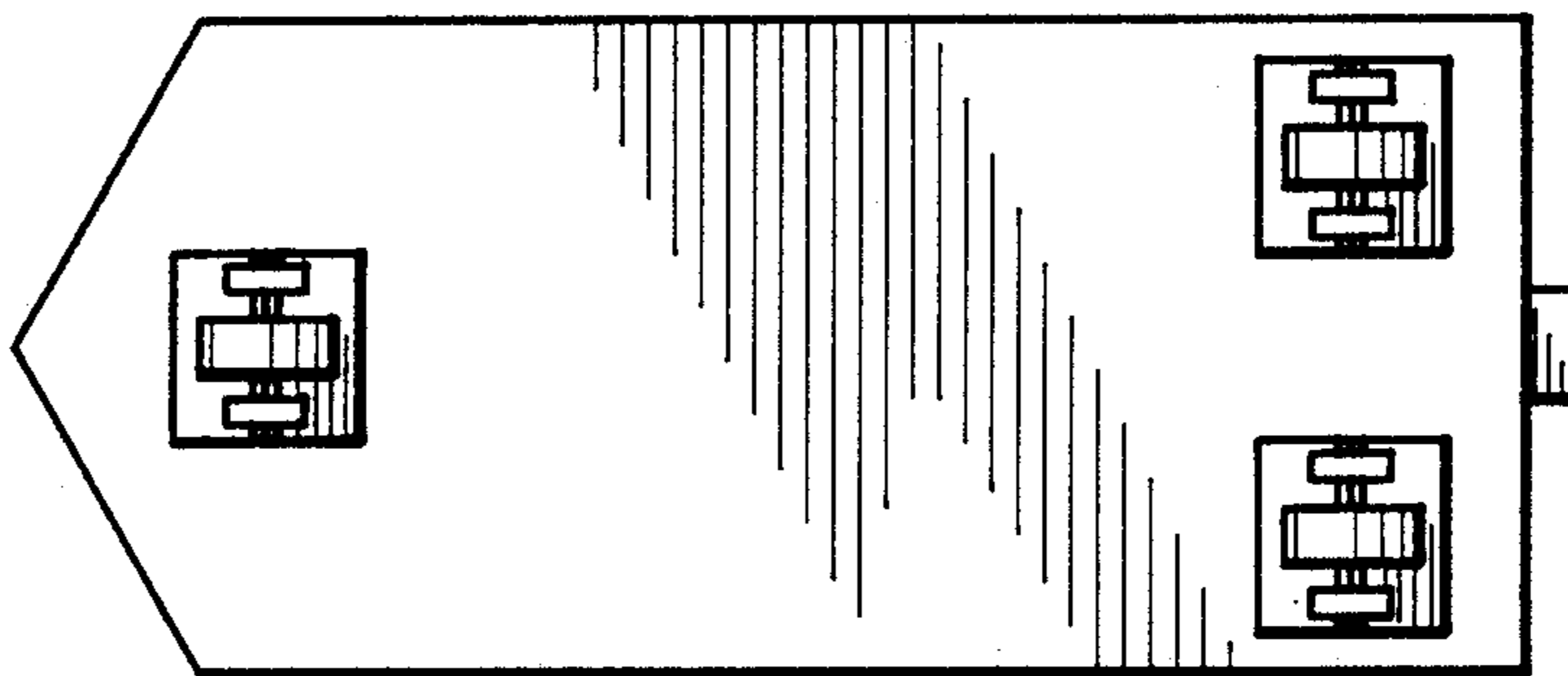


Fig. 6

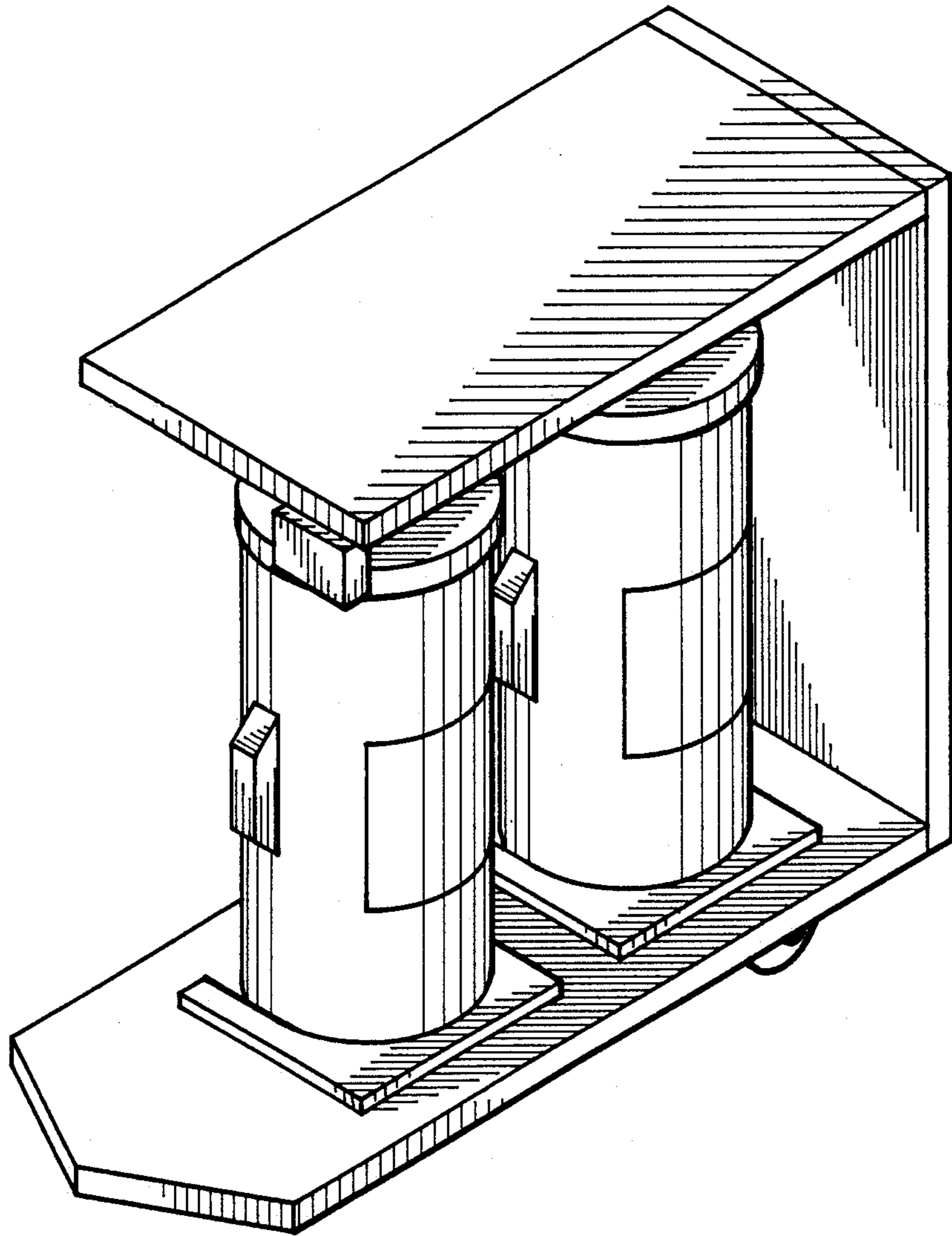


Fig. 7