

[54] **FROST AND ICE SCRAPER**

[76] **Inventor: Bill E. Boyd, Rte. 4, Box 310, Ottumwa, Iowa 52501**

[**] **Term: 14 Years**

[21] **Appl. No.: 25,781**

[22] **Filed: Mar. 13, 1987**

[52] **U.S. Cl. D32/46**

[58] **Field of Search D32/35, 40-52; D7/99-102; 15/236.01-236.10**

[56] **References Cited**

U.S. PATENT DOCUMENTS

D. 219,303	11/1970	Golden	D32/49
D. 279,415	6/1985	Osrow et al.	D32/49
2,277,528	3/1942	Osborn	D32/40 X
3,051,975	9/1962	Schwartz	15/105
3,262,728	7/1966	Atterbury	D7/102 X
3,333,882	8/1967	Silverman	D7/102 X

Primary Examiner—Wallace R. Burke
Assistant Examiner—Lavone D. Tabor
Attorney, Agent, or Firm—Charles S. McGuire

[57] **CLAIM**

The ornamental design for a frost and ice scraper, as shown and described.

DESCRIPTION

FIG. 1 is a top plan view of a frost and ice scraper showing my new design;

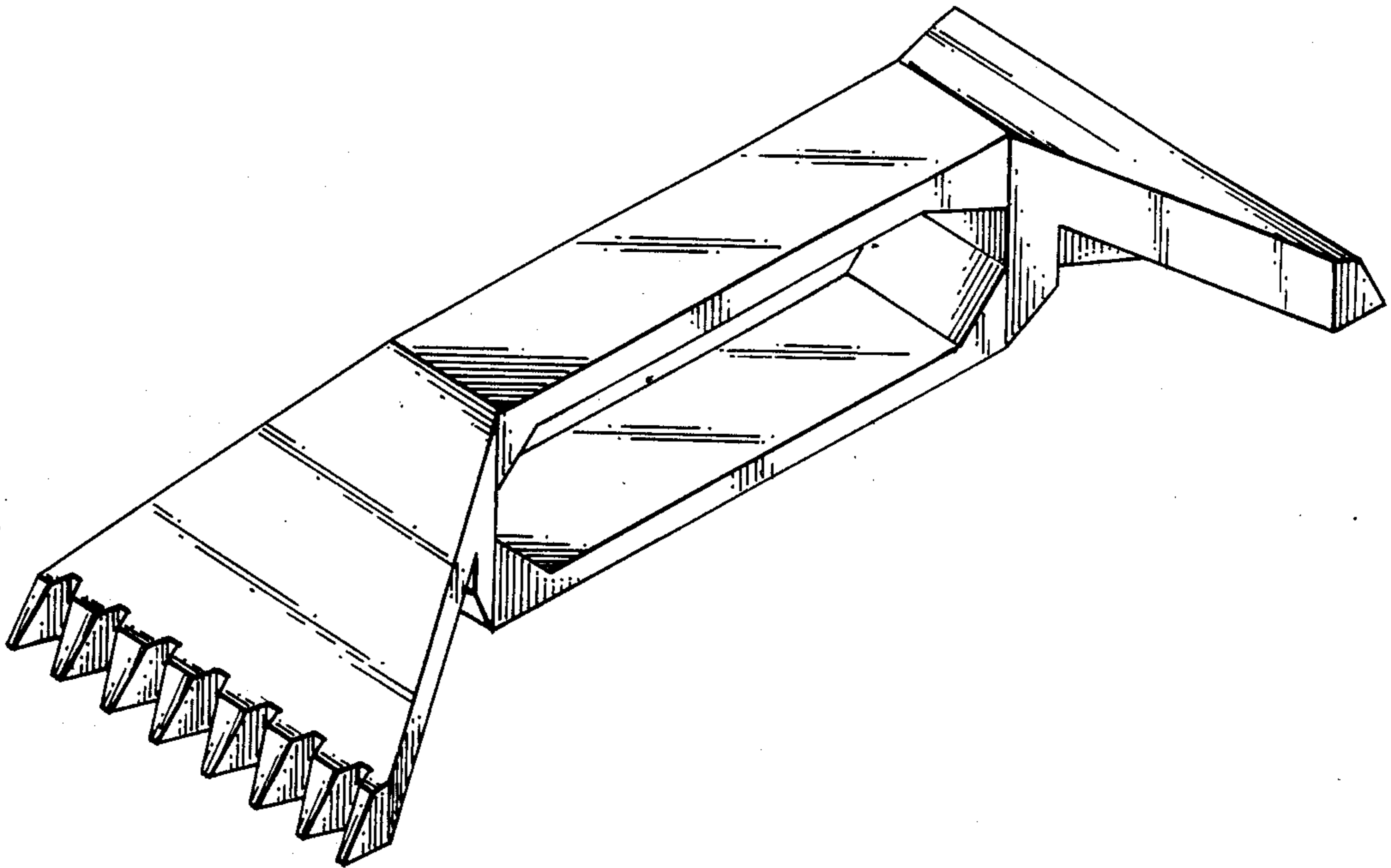
FIG. 2 is a side elevational view thereof, the appearance being the same from both sides;

FIG. 3 is a bottom plan view thereof; and

FIGS. 4 and 5 are left and right, respectively, end elevational views thereof.

FIG. 6 is an enlarged, perspective view as seen from the bottom, one end and one side.

FIG. 7 is an enlarged, perspective view as seen from the top, one end and one side.



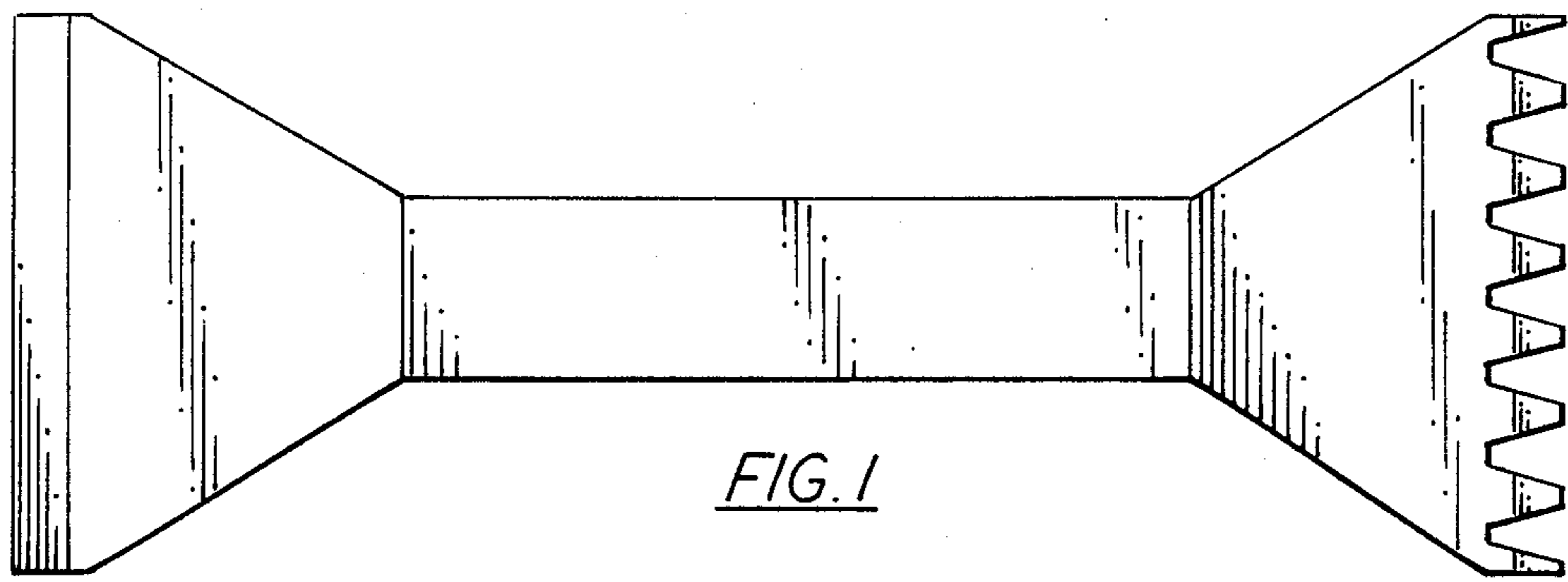


FIG. 1

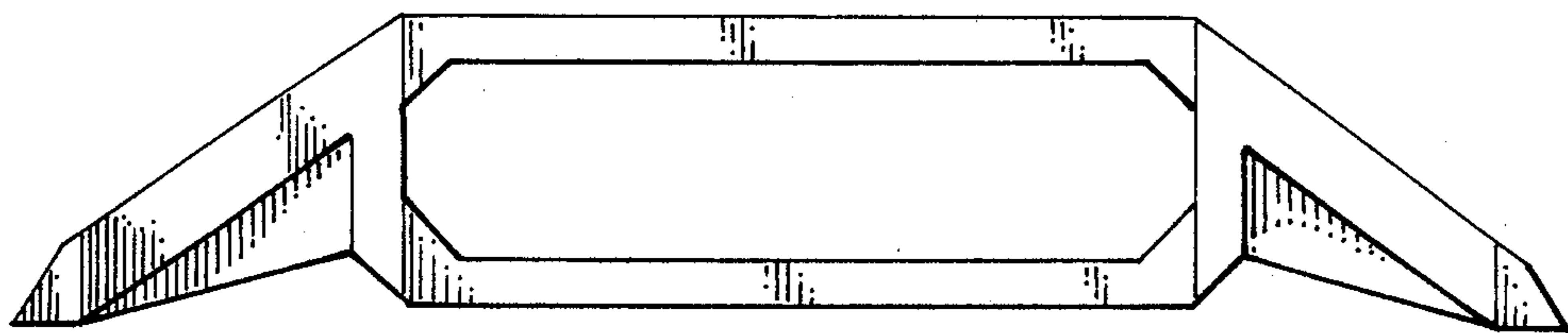


FIG. 2

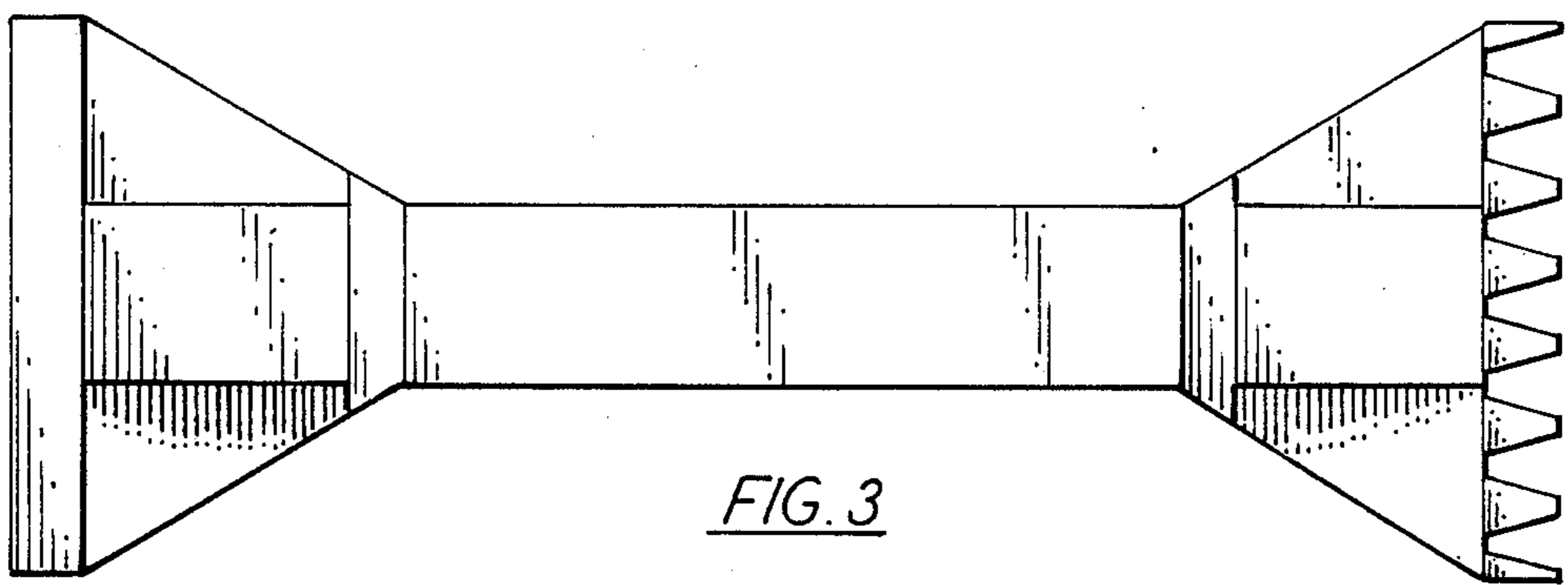


FIG. 3

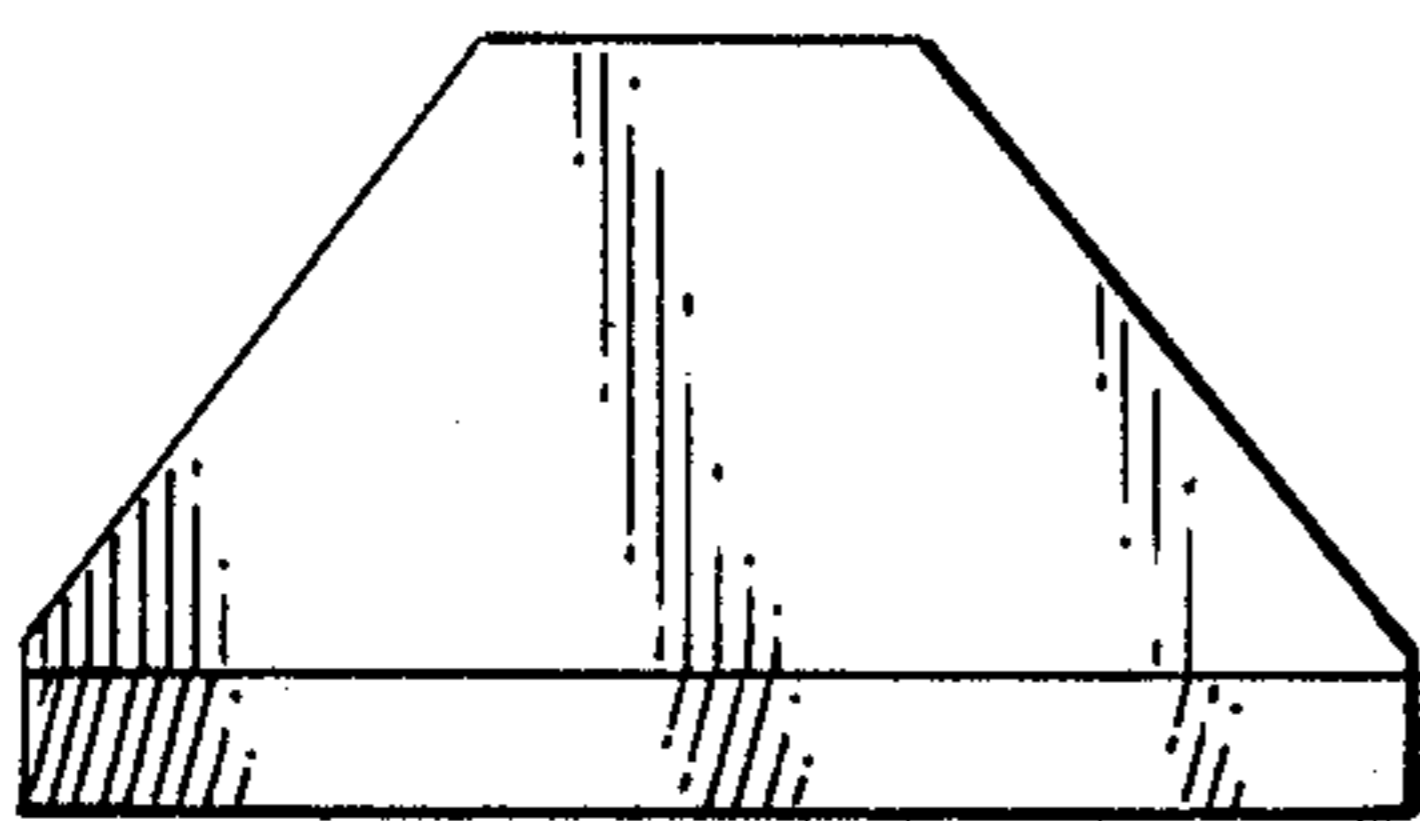


FIG. 4

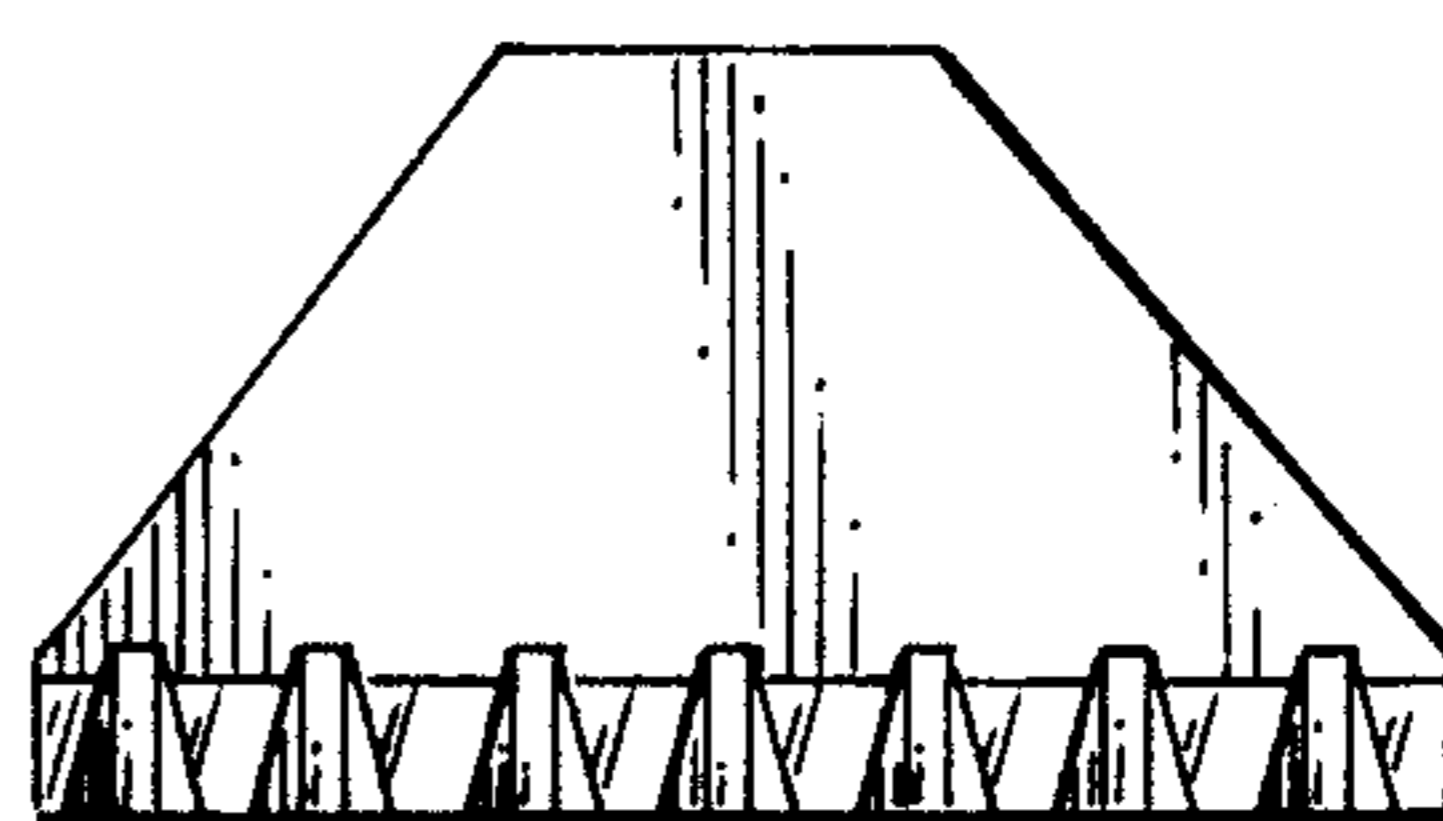


FIG. 5

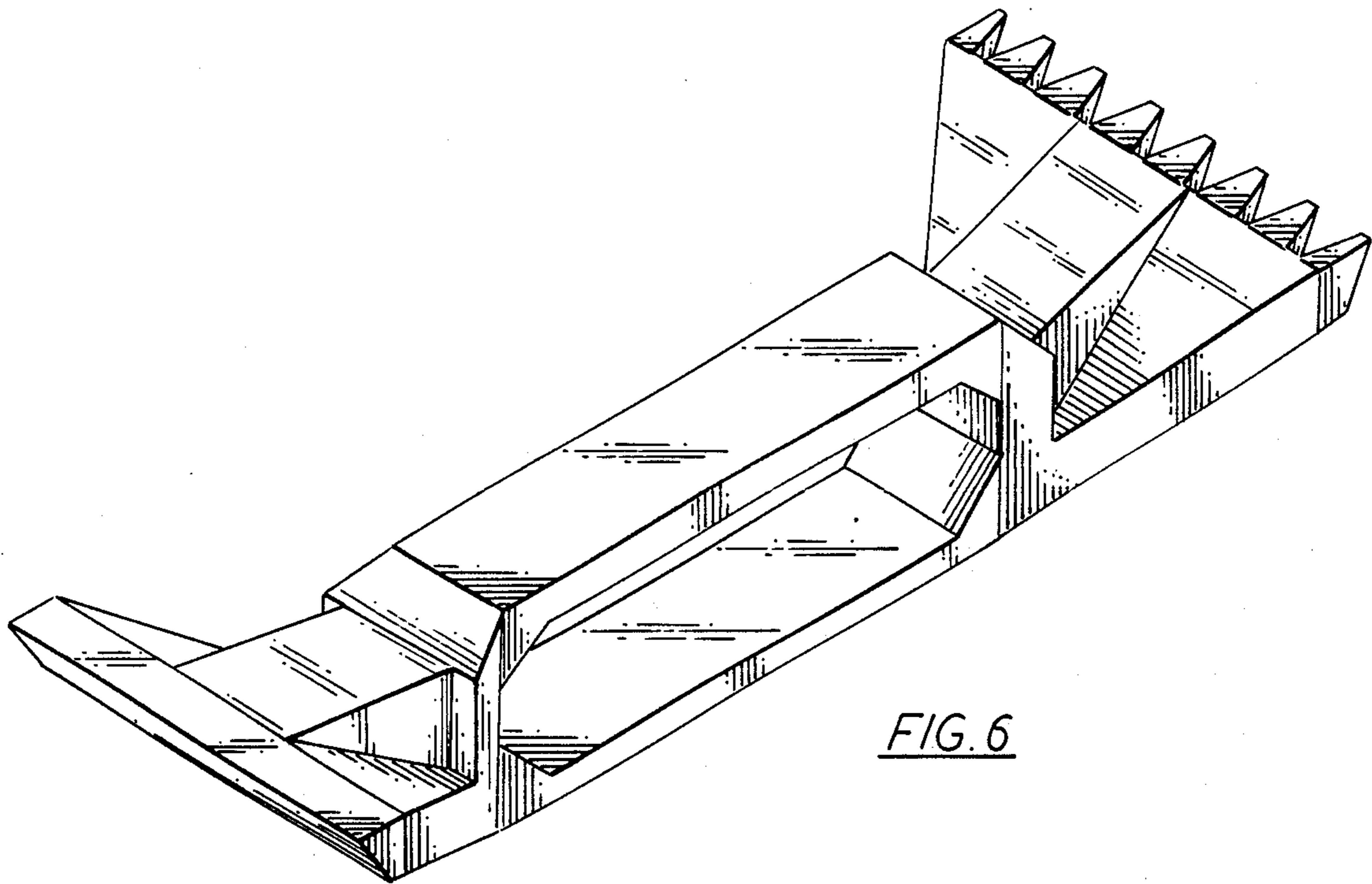


FIG. 6

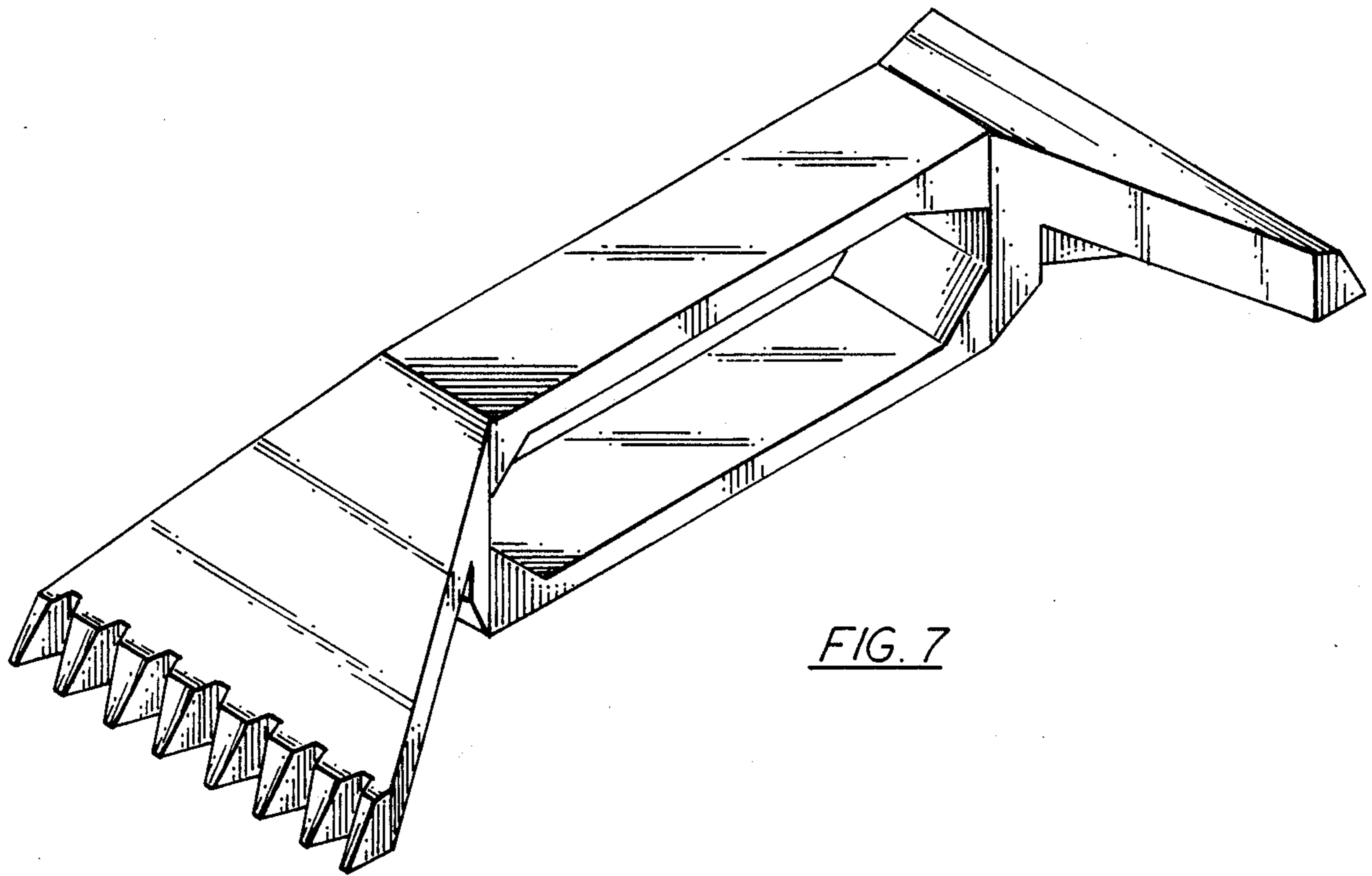


FIG. 7