

[54] **APPLICATOR FOR APPLYING PARTICULATE COMPOSITIONS TO CARPET**

[75] Inventors: William F. Glaeser, Milwaukee; Bruce L. Renquist, Racine, both of Wis.

[73] Assignee: Racine Industries, Inc., Racine, Wis.

[**] Term: 14 Years

[21] Appl. No.: 47,455

[22] Filed: May 11, 1987

[52] U.S. Cl. D32/35; D32/38

[58] Field of Search D4/121; D32/15, 35, D32/38; 15/23, 143 R, 143 A, 143 B, 144 R, 144 A; 222/169-171, 172; 401/23, 40-41, 121, 131, 196-197, 206, 208, 218-220; 29/110, 110.5, 120

[56] **References Cited**

U.S. PATENT DOCUMENTS

| | | | |
|-----------|---------|----------|-----------|
| 1,849,159 | 3/1932 | Torrence | 222/169 |
| 2,135,077 | 11/1938 | Hove | 401/208 X |
| 2,861,719 | 11/1958 | Trotter | 222/169 X |
| 3,172,138 | 3/1965 | Price | 15/23 X |

FOREIGN PATENT DOCUMENTS

12011 of 1914 United Kingdom 222/171

Primary Examiner—Wallace R. Burke
Assistant Examiner—Lavone D. Tabor
Attorney, Agent, or Firm—Peter N. Jansson, Ltd.

[57] **CLAIM**

The ornamental design for an applicator for applying particulate compositions to carpets, as shown and described.

DESCRIPTION

FIG. 1 is a perspective view of an applicator for applying particulate compositions to carpets, showing the new design.

FIG. 2 is a reduced left side elevational view thereof.

FIG. 3 is a top plan view thereof.

FIG. 4 is a front elevational view thereof.

FIG. 5 is a bottom plan view thereof.

FIG. 6 is an enlarged perspective view thereof, shown with the handle in collapsed condition.

FIG. 7 is a modified form of FIG. 1, showing a pair of applicators placed together with the adjacent sides being the same in appearance as the sides shown in the previous views.

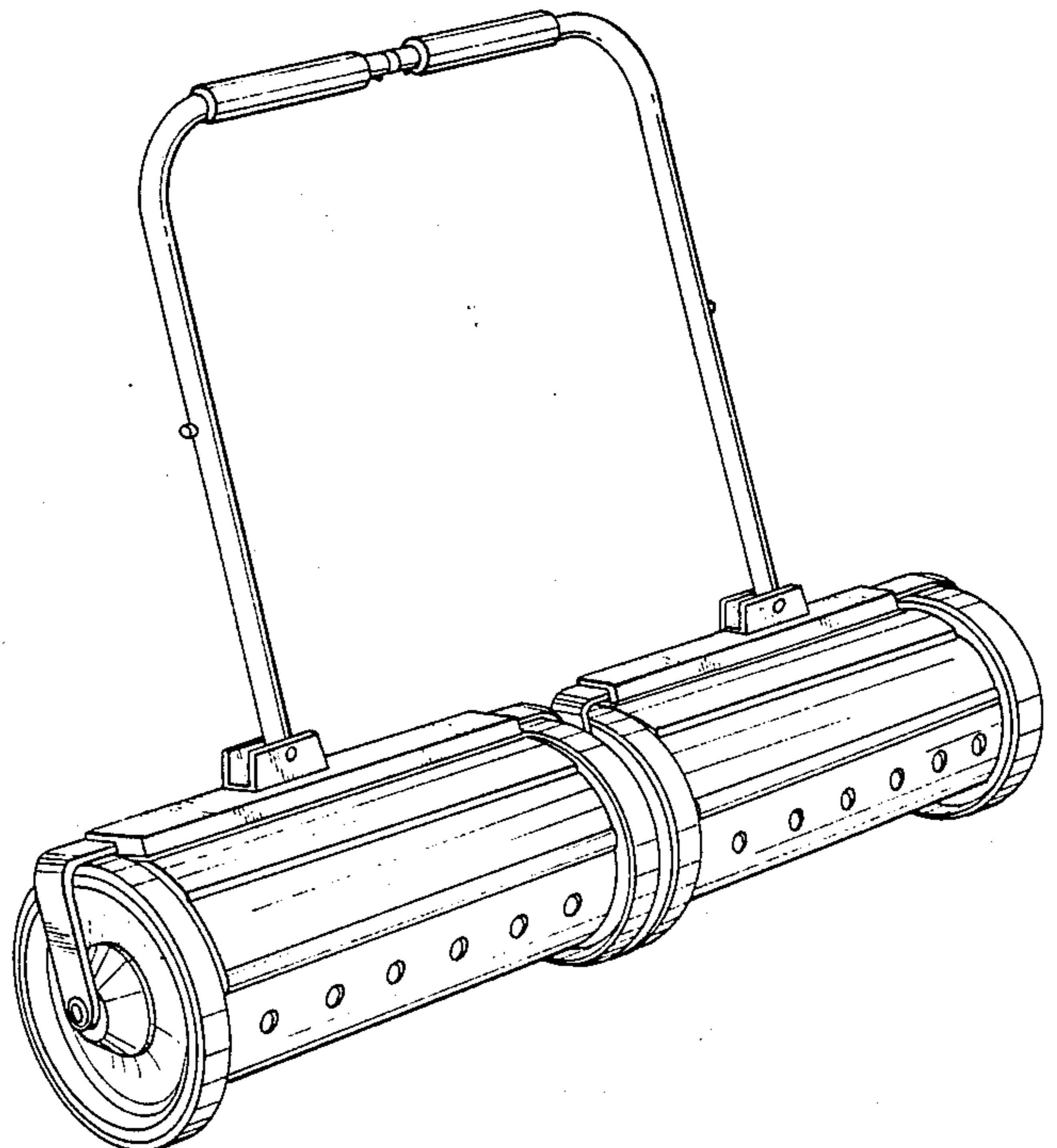
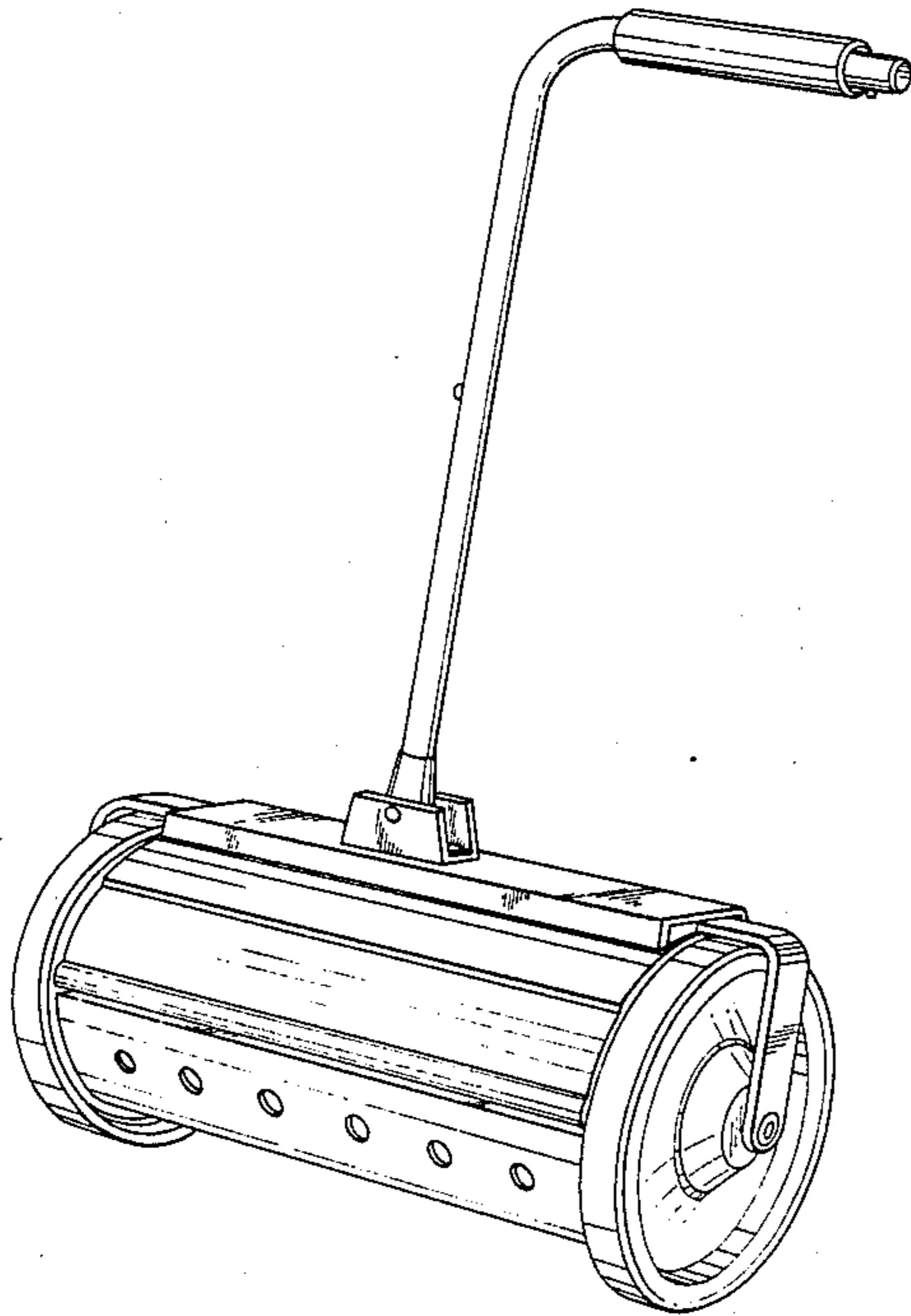


FIG. 1

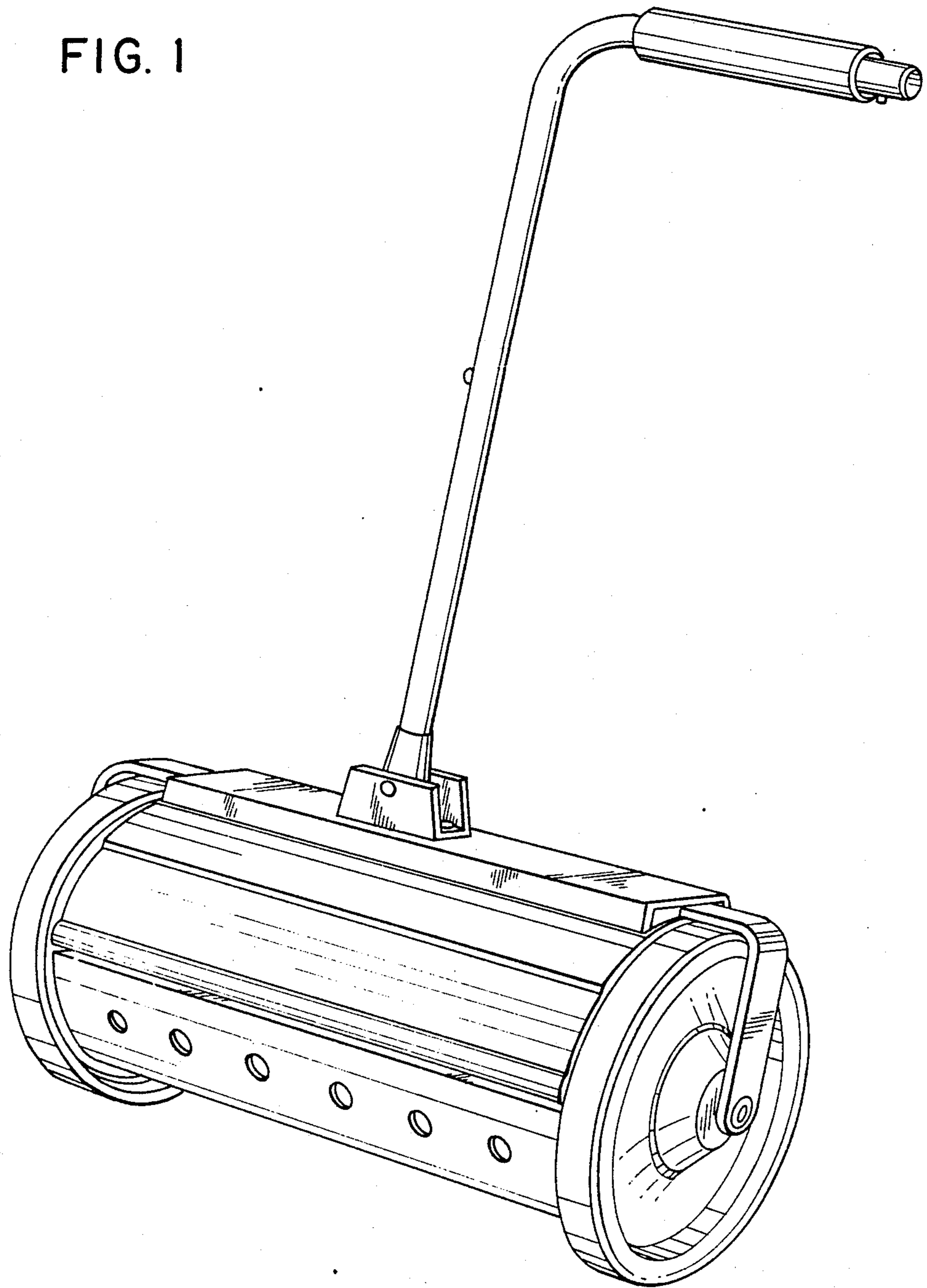


FIG. 3

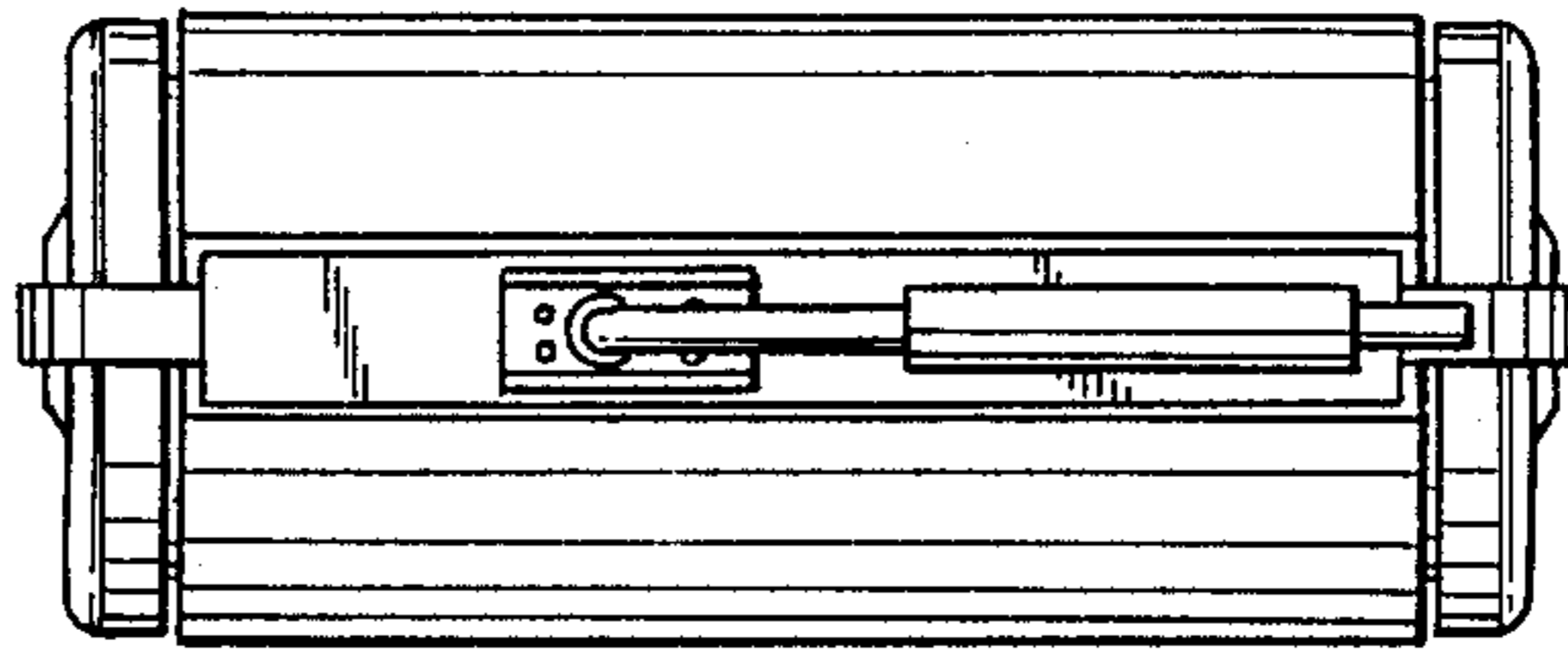


FIG. 2

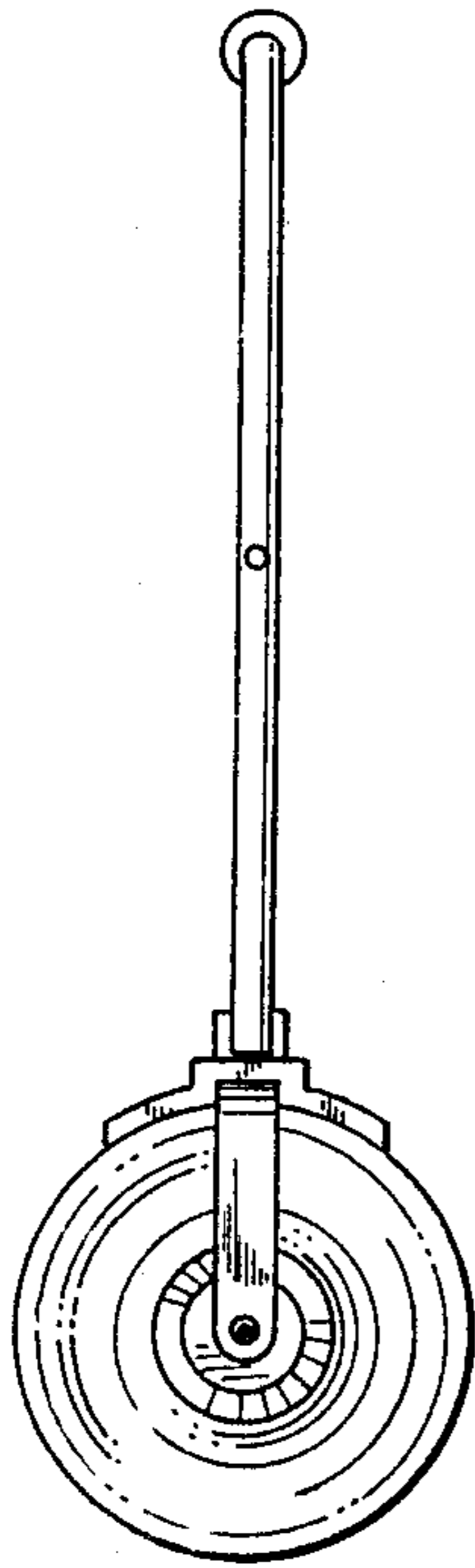


FIG. 4

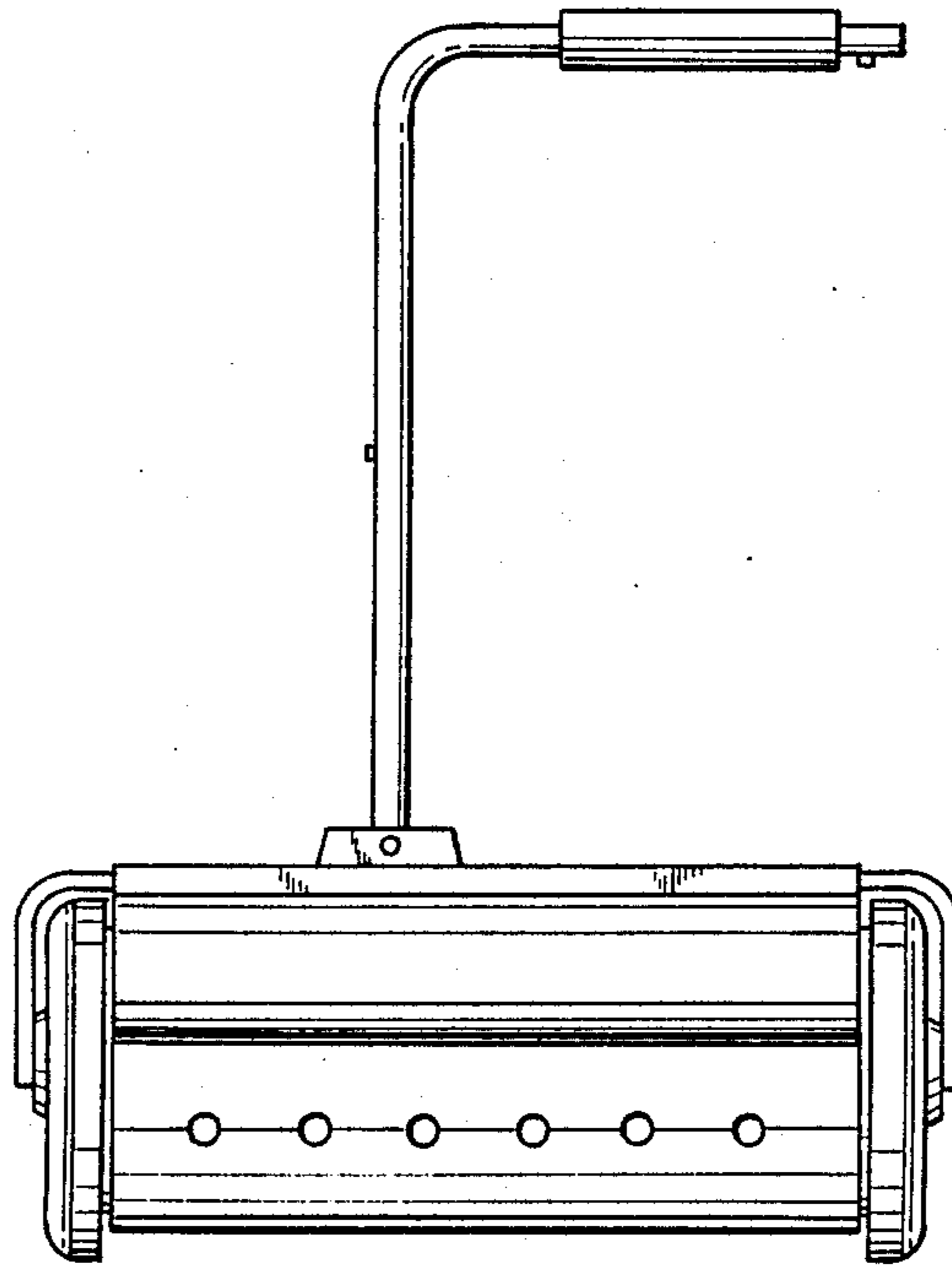


FIG. 5

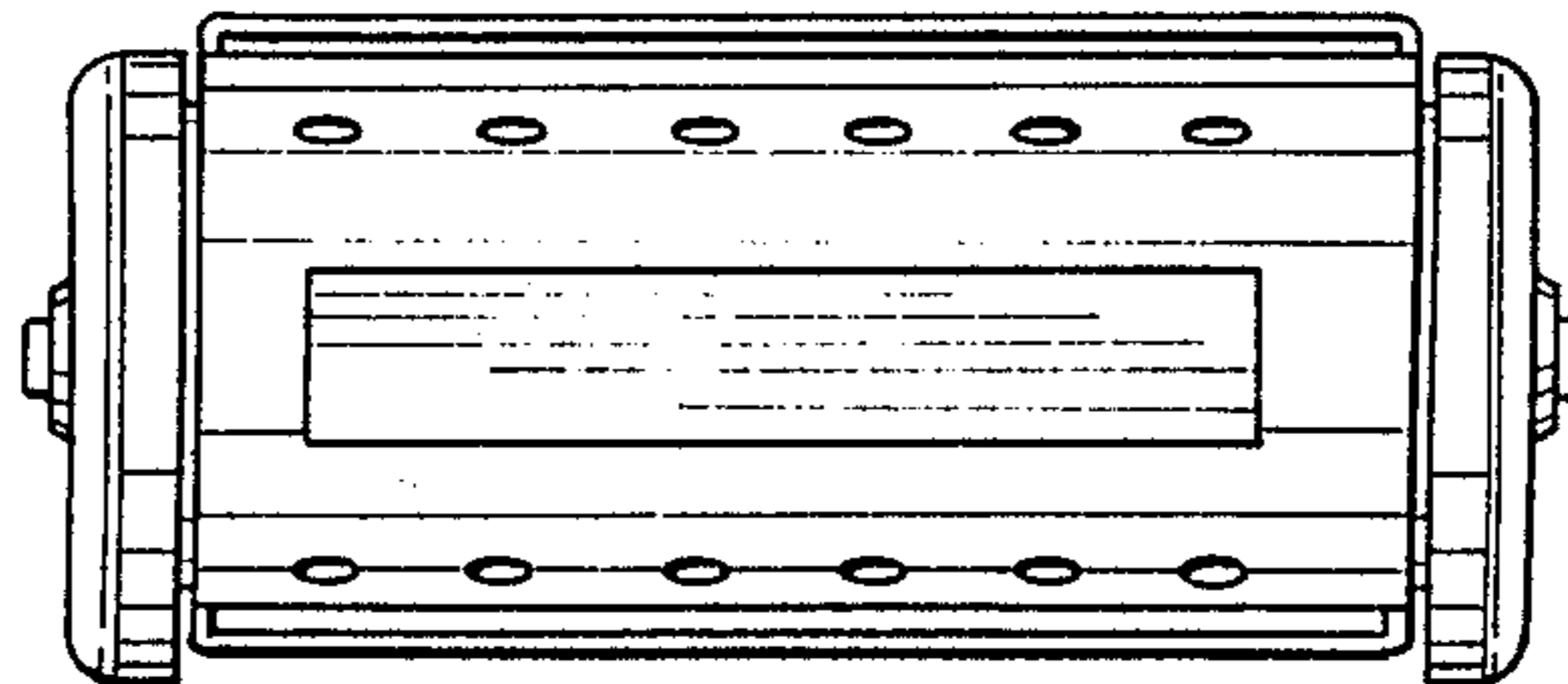


FIG. 6

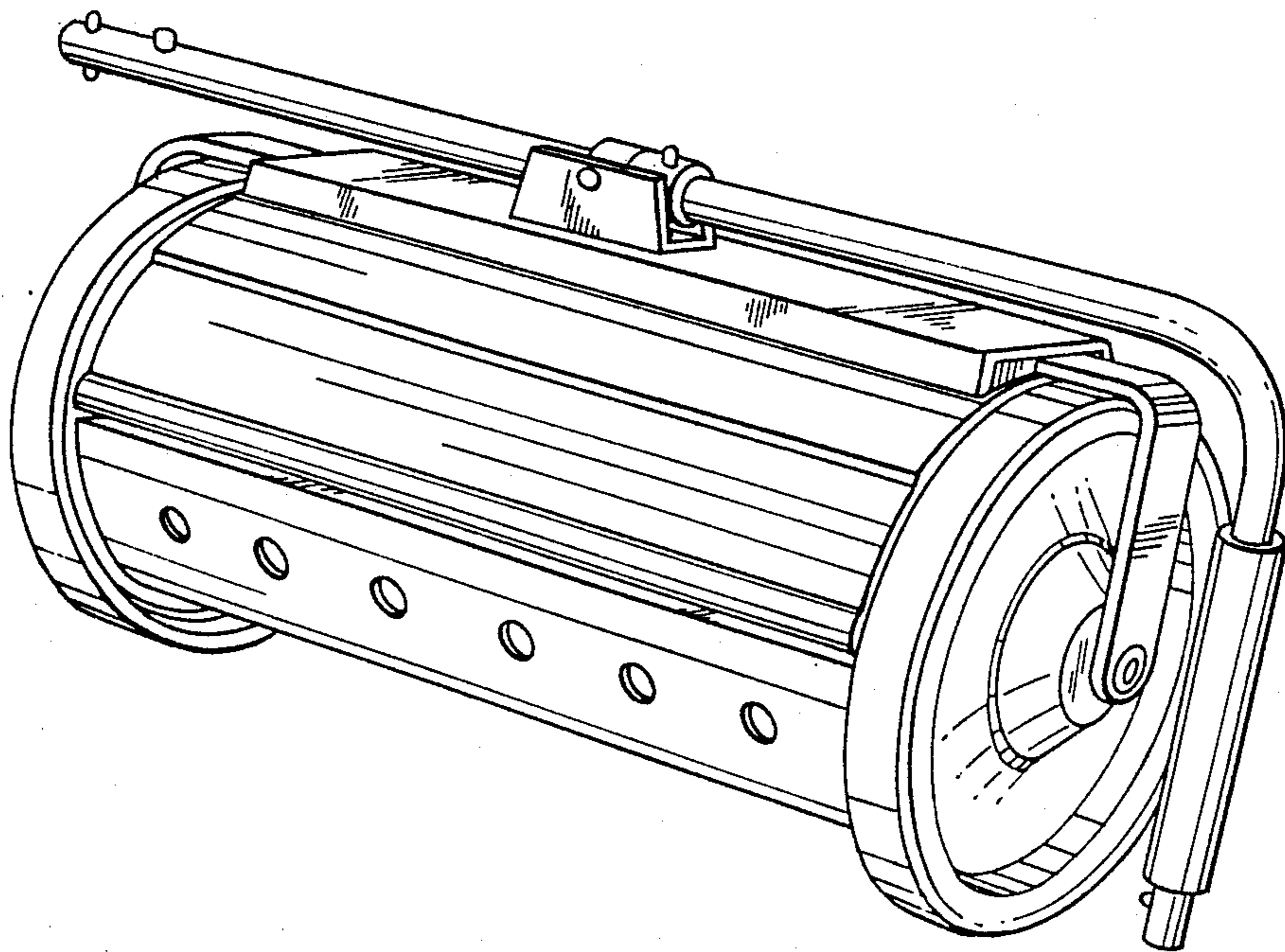


FIG. 7

