

[54] HAIR CLIPPER

[76] Inventor: Carol J. Nikolaus, 2825A N. 52 St., Milwaukee, Wis. 53210

[\*\*] Term: 14 Years

[21] Appl. No.: 45,112

[22] Filed: May 1, 1987

[52] U.S. Cl. .... D28/53

[58] Field of Search ..... D28/44-54; 30/32, 34 R, 41.9, 42, 43, 90, 43.3-43.92, 200-202, 210, 220

[56] References Cited

U.S. PATENT DOCUMENTS

- D. 219,902 2/1971 Walton et al. .... D28/53
- D. 287,648 1/1987 Wahl et al. .... D28/53
- 1,515,555 11/1924 Derby ..... 30/220 X

2,789,347 9/1957 Wahl et al. .... D28/53 X

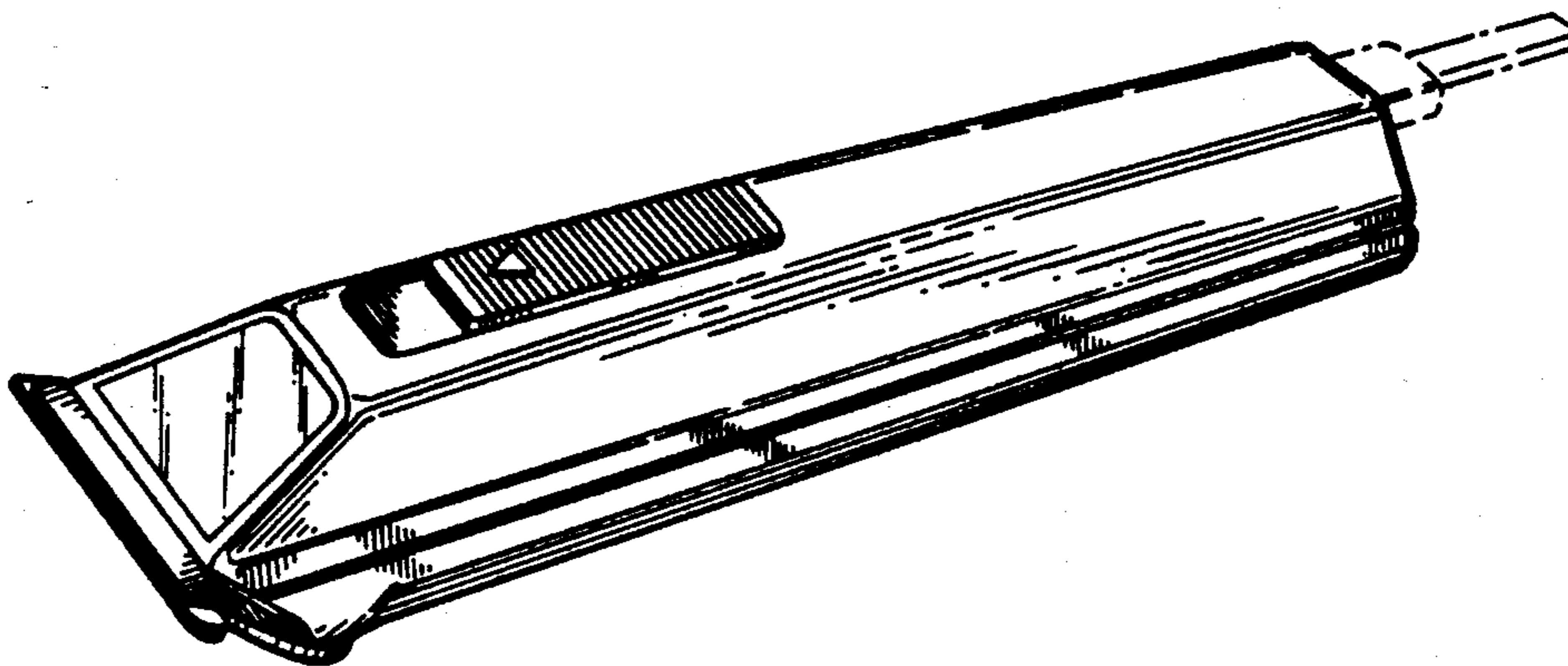
Primary Examiner—Louis S. Zarfes

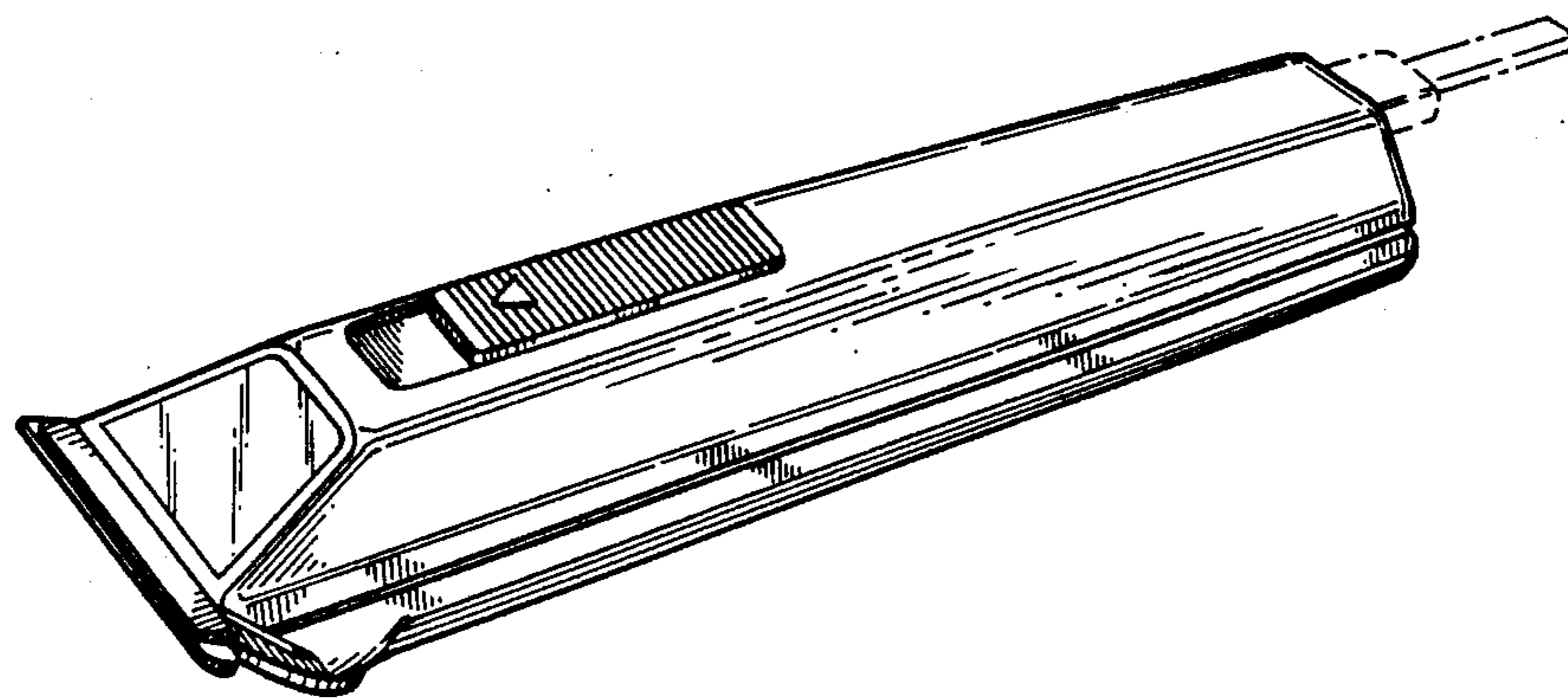
[57] CLAIM

The ornamental design for a hair clipper, as shown and described.

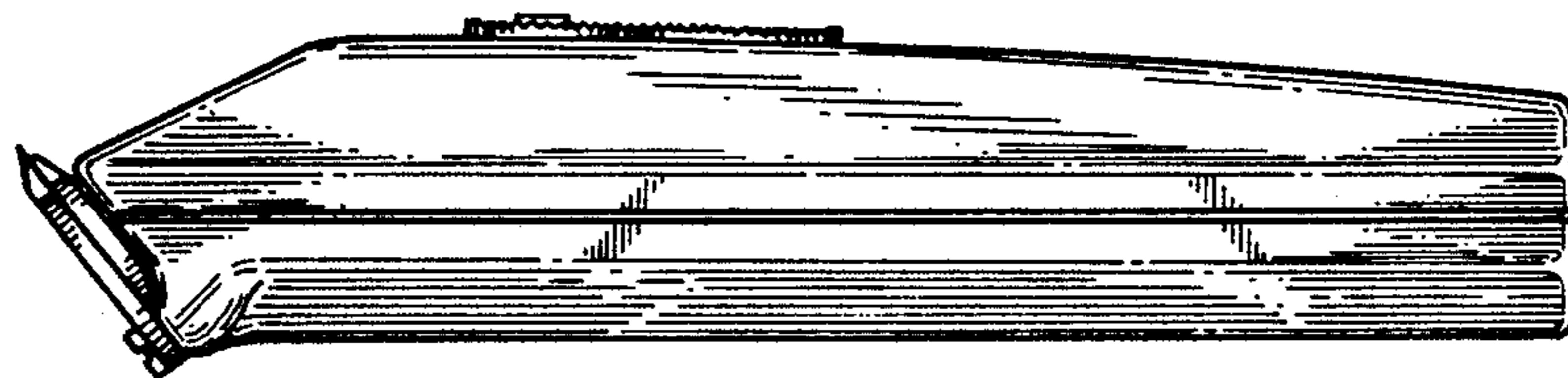
DESCRIPTION

FIG. 1 is a perspective view of a hair clipper showing my new design;  
 FIG. 2 is a right side elevational view thereof;  
 FIG. 3 is a left side elevational view thereof;  
 FIG. 4 is a top plan view thereof;  
 FIG. 5 is a bottom plan view thereof;  
 FIG. 6 is a front end elevational view thereof; and  
 FIG. 7 is a rear end elevational view thereof.  
 The broken line showing of a cord in FIG. 1 is for illustrative purposes only and forms no part of the claimed design.

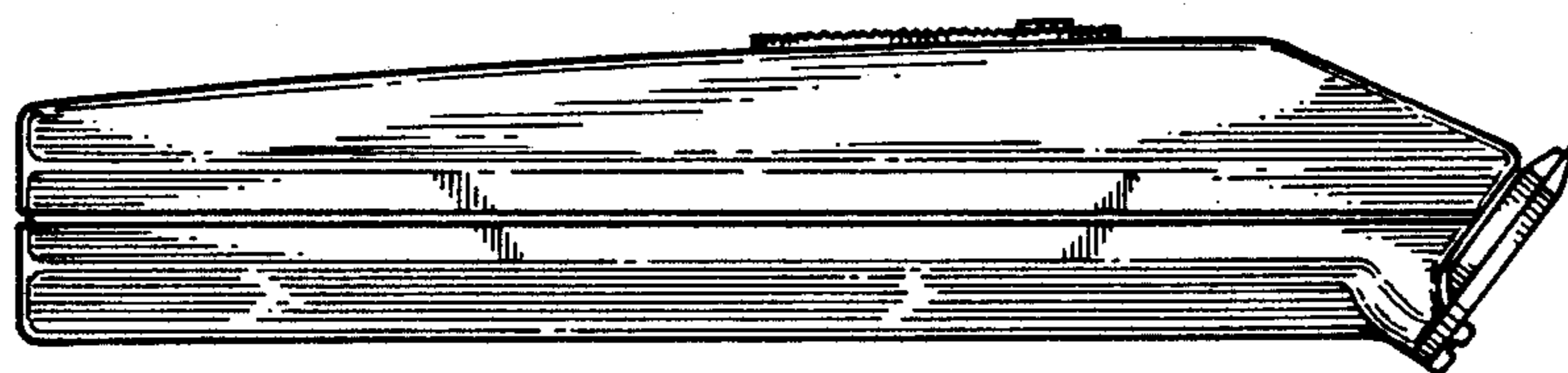




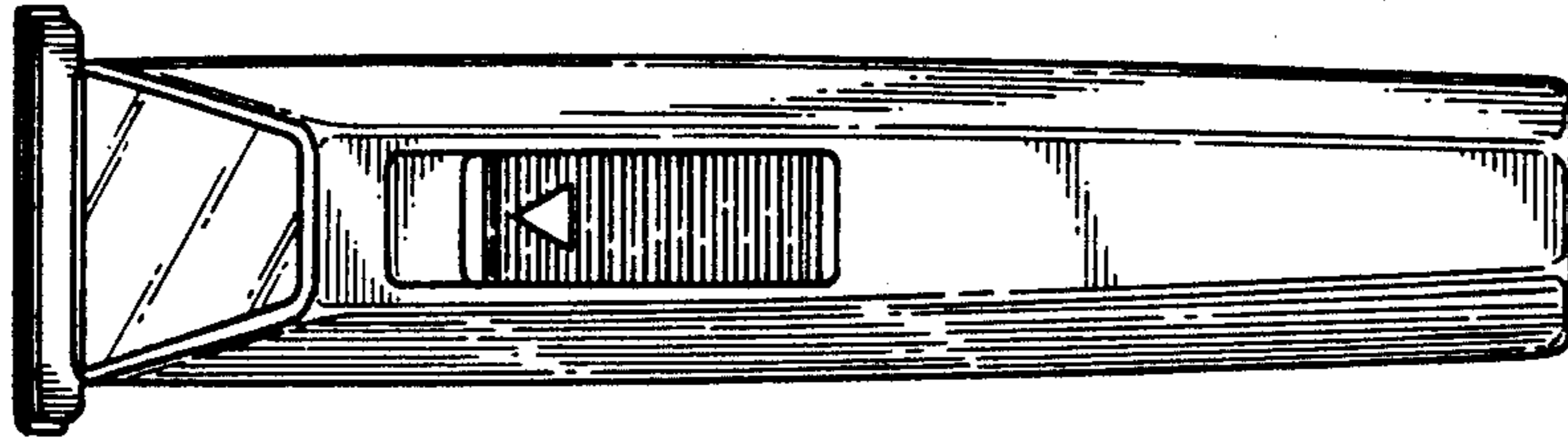
*Fig. 1*



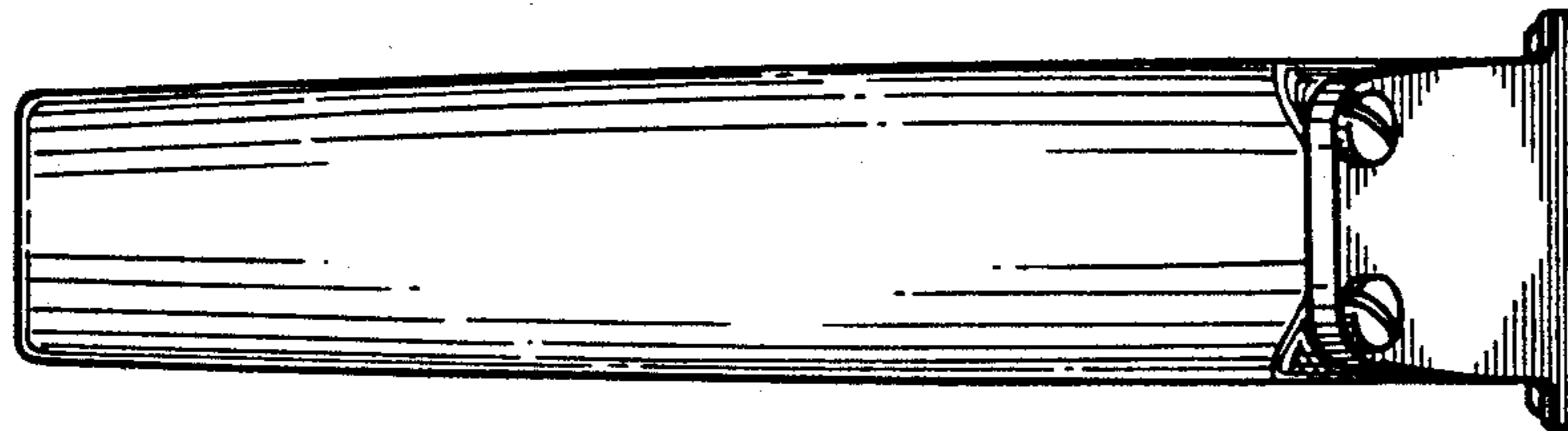
*Fig. 2*



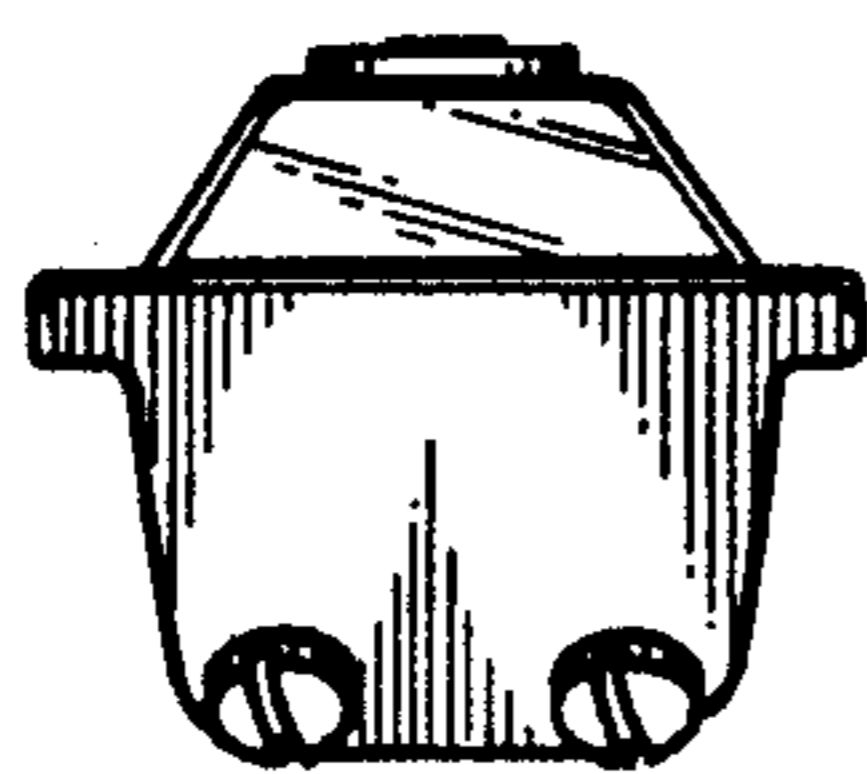
*Fig. 3*



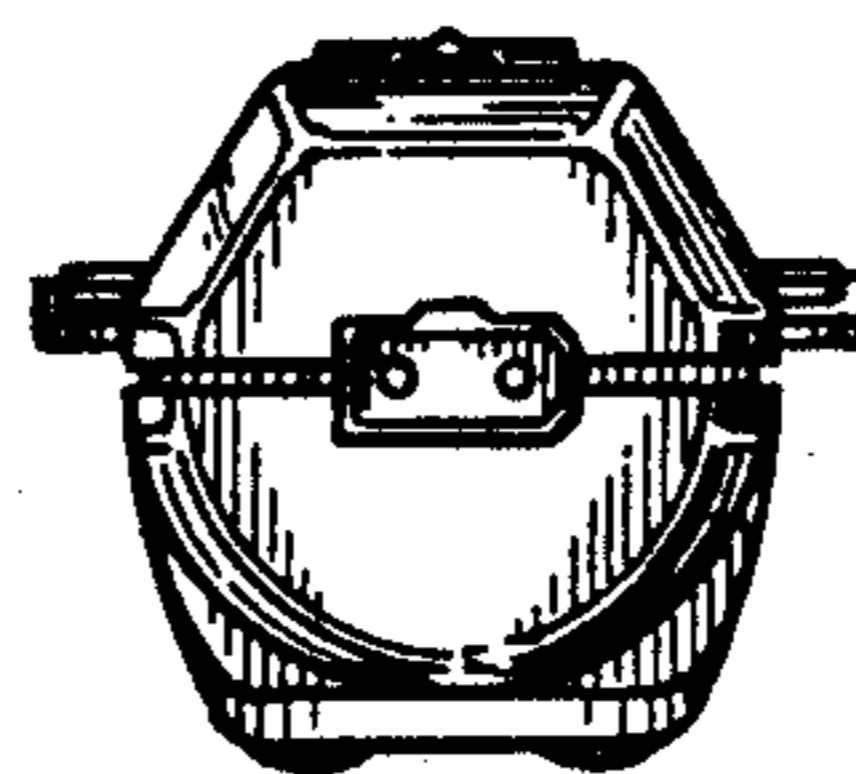
*Fig. 4*



*Fig. 5*



*Fig. 6*



*Fig. 7*