

[54] **WALL LAMP**

[75] **Inventor: Marco Pezzolo, Bovezzo, Italy**

[73] **Assignee: Flos S.p.A., Brescia, Italy**

[**] **Term: 14 Years**

[21] **Appl. No.: 71,998**

[22] **Filed: Jul. 10, 1987**

[30] **Foreign Application Priority Data**

Feb. 6, 1987 [IT] Italy 6925/787[U]

[52] **U.S. Cl. D26/86**

[58] **Field of Search 362/432, 147, 370-373,
362/362, 310; D26/72, 80-92**

[56] **References Cited**

U.S. PATENT DOCUMENTS

- D. 272,858 2/1984 Palka D26/80
- D. 298,059 10/1988 Muller D26/86

- D. 298,360 11/1988 Dacanay et al. D26/85
- 1,864,145 6/1932 Ohm 362/432

OTHER PUBLICATIONS

Design, 9-1985, p. 29, Wall lamp.

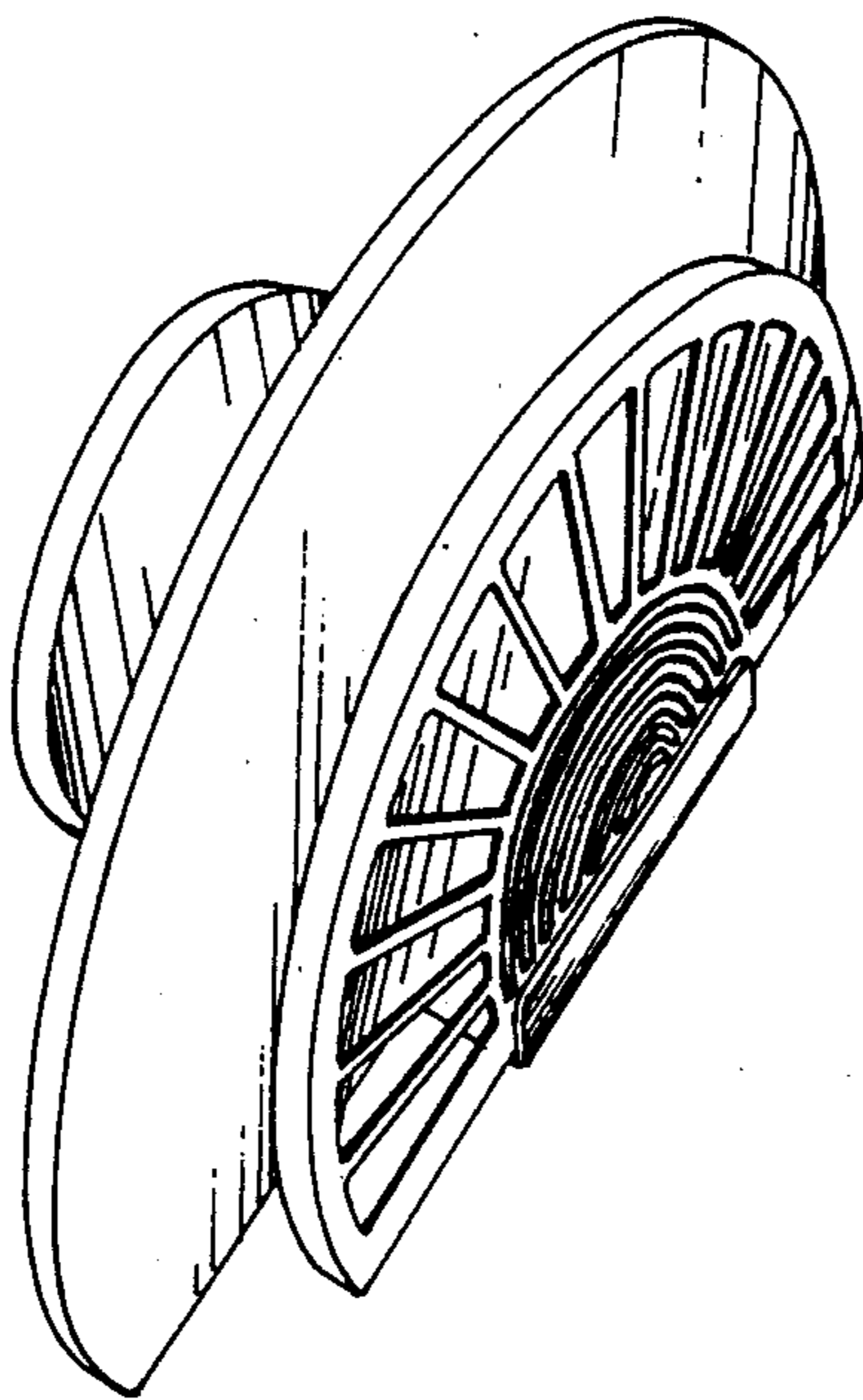
Primary Examiner—Susan J. Lucas
Attorney, Agent, or Firm—McGlew & Tuttle

[57] **CLAIM**

The ornamental design for a wall lamp, as shown and described.

DESCRIPTION

FIG. 1 is a perspective view taken from the front and left side of a wall lamp showing my new design; FIG. 2 is a front elevation view thereof; FIG. 3 is a side elevation view thereof, the opposite side being a mirror image; FIG. 4 is a top plan view thereof; and FIG. 5 is a bottom plan view thereof.



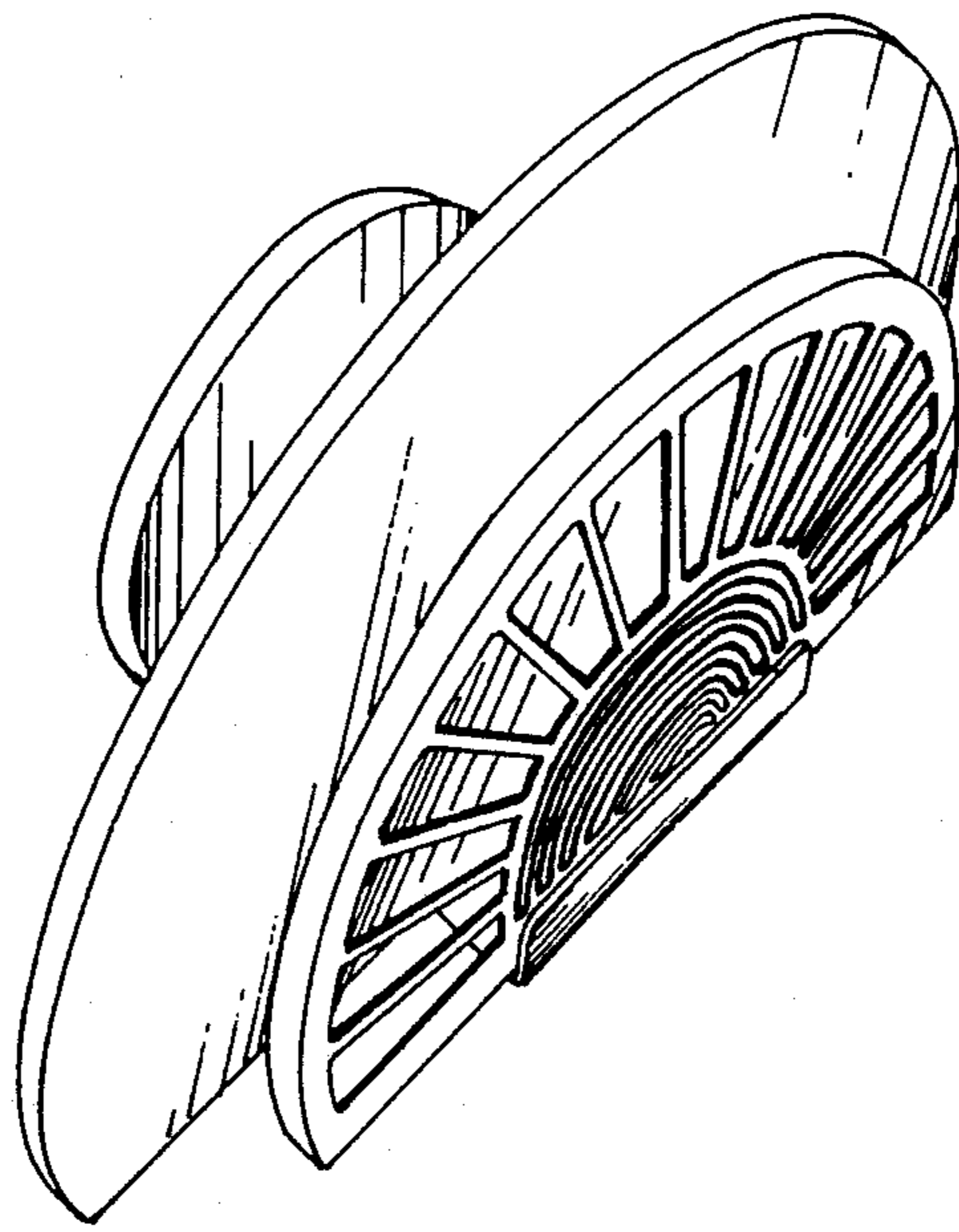


Fig. 1

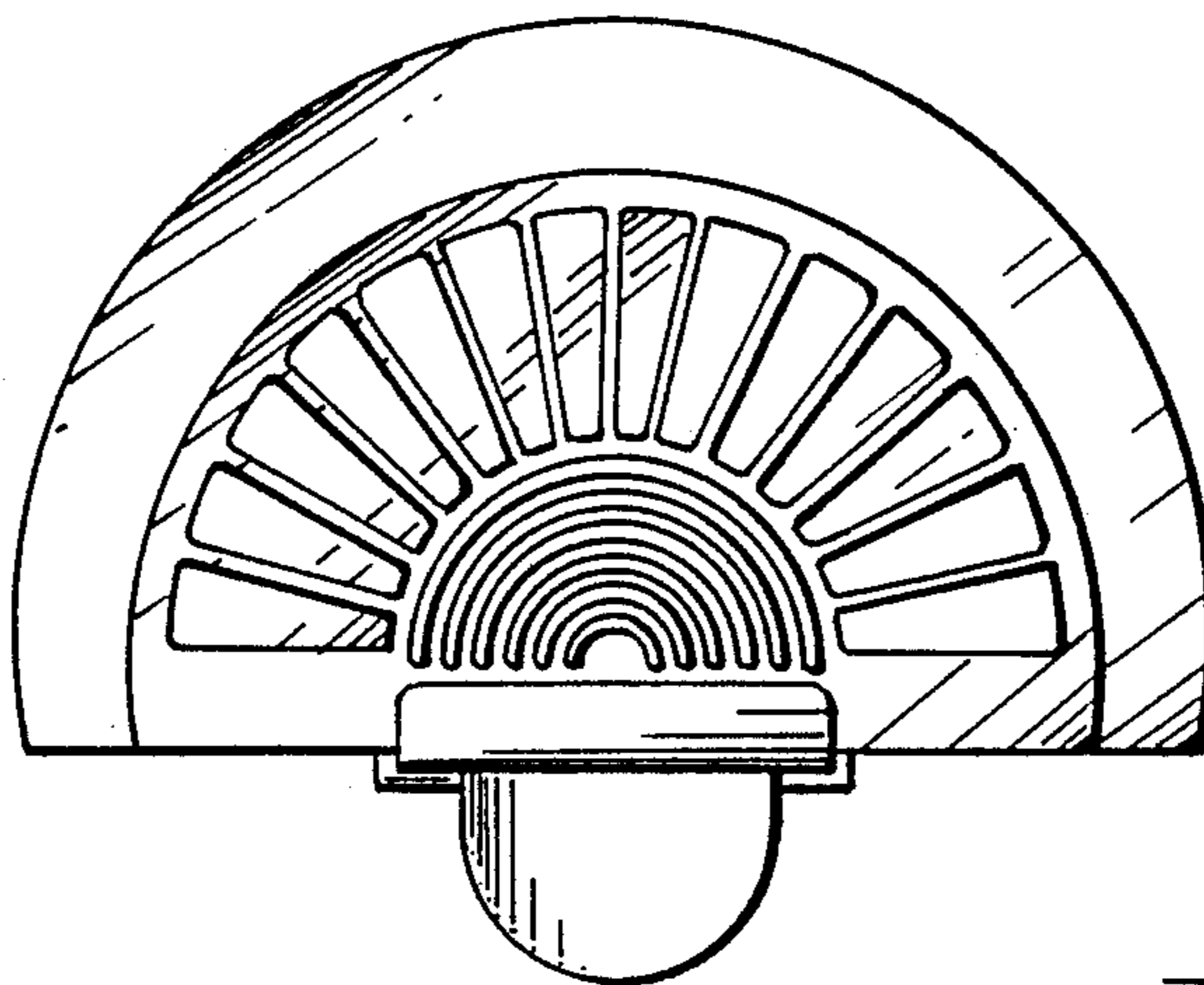


Fig. 2

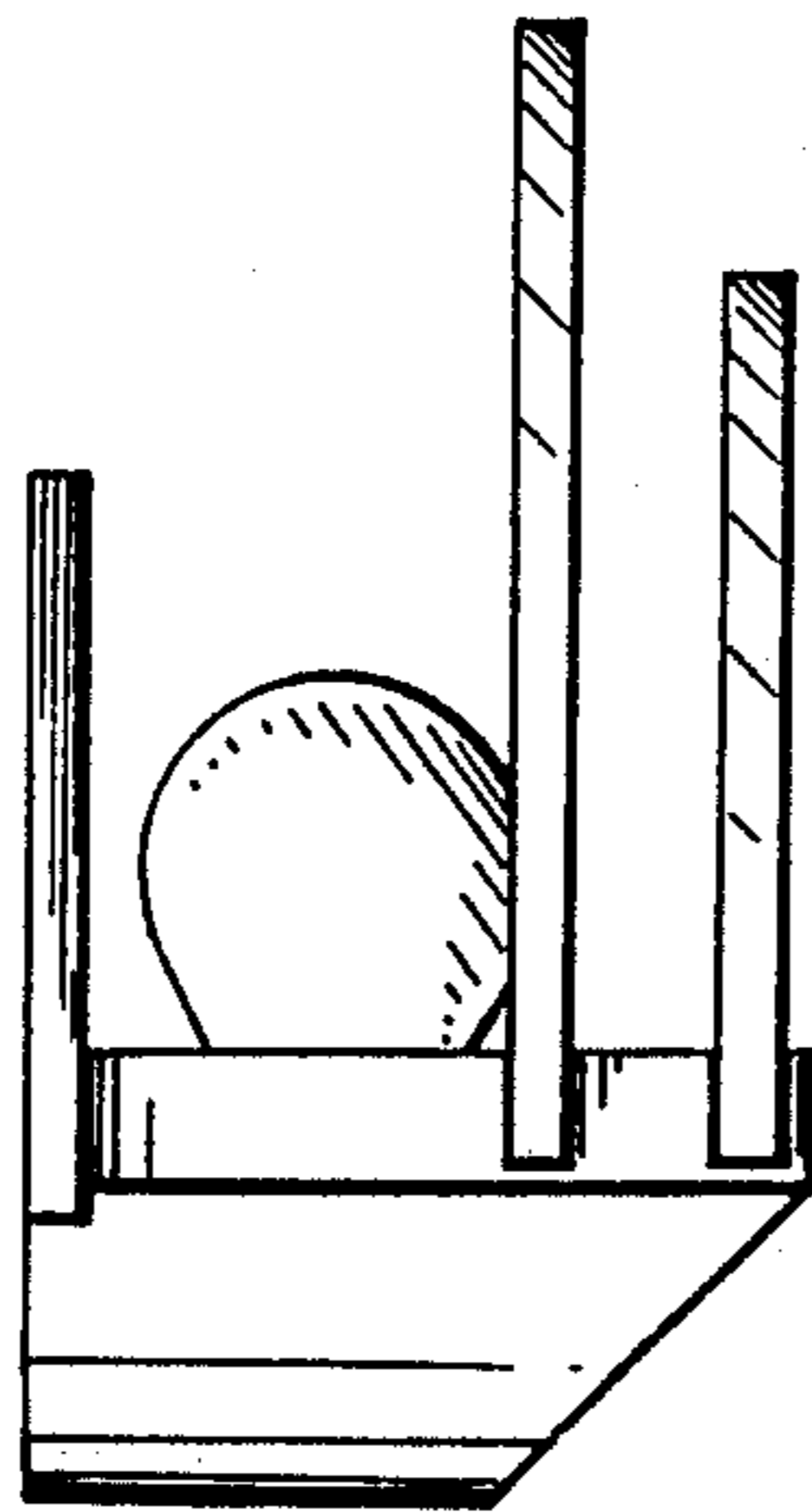


Fig. 3

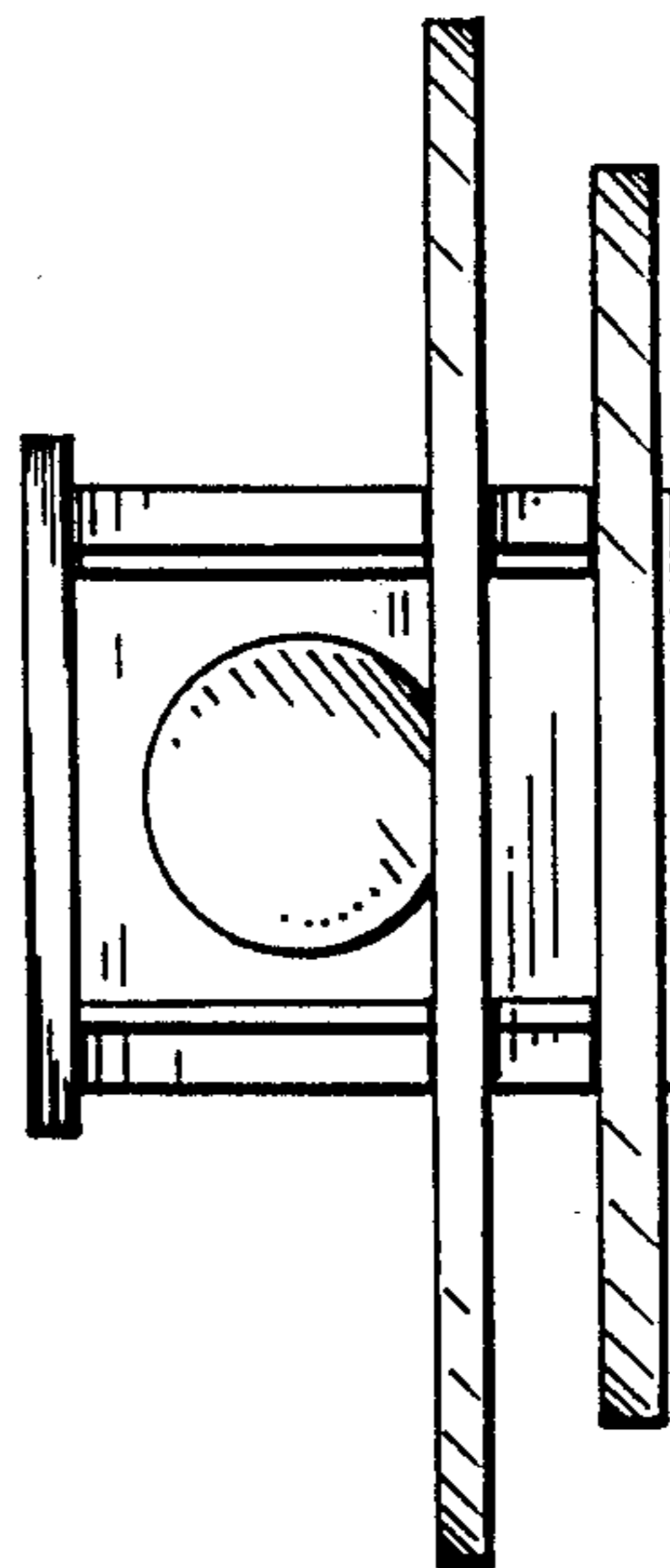


Fig. 4

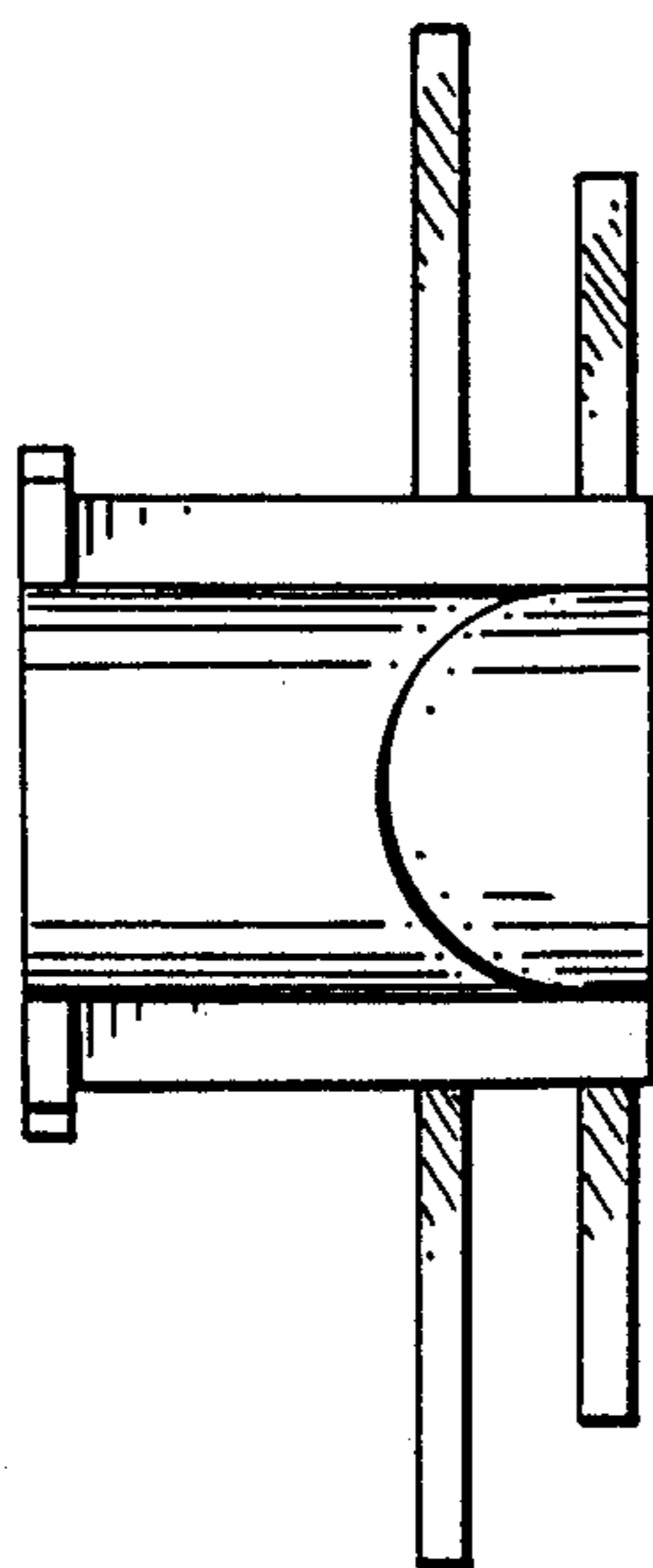


Fig. 5